





Job no 1310

Title **PROPOSED EXTENSION AND REFURBISHMENT TO EXISTING 2-STOREY BUNGALOW AT NO 9 JALAN BRP 3/3B, SUNWAY RAHMAN PUTRA, BANDAR BARU SUNGAI BULOH, SEKSYEN U20, 40610 SHAH ALAM, SELANGOR DAHRUL EHSAN FOR MR. ONG BOON KIEN AND MDM. CHUA TONG SIEH.**

SCHEDULE OF SANITARYWARES AND FITTINGS

1 MASTER BATHROOM

	Item	Nos	Option A			Option B		
			Product Code	Image	Price RM	Product Code	Image	Price RM
1.1	Basin	2	Duravit Durastyle 034960		1500.00	TOTO LW816J		3409.00
	Fixed Waste	2	Duravit 005052-10 push open waste		400.00	TOTO T6JV5 Fixed Waste		254.00
	Bottle Trap	2	Kristo Bottle Trap		80.00	TOTO THX1A-6N 'P' trap 350mm		157.00
1.2	Tap	2	Grohe Allure wall mounted mixer 19386000		5997.00	Hansgrohe Metris Wall Mounted Basin Mixer Diverter		2350.00
			Grohe Single-lever mixer, concealed body 33769000		1786.00			
1.3	WC	1	Duravit Durastyle 215701		2300.00	TOTO AVANTE Model CW823J		3128.00
	(Optional Upgrade)					TOTO TC283SJ Duraplast Elongated Soft Close Seat & Cover		455.00
	Stop Valve					TOTO TX277S		132.00
1.4	Hand Bidet c/w stop valve	1				TOTO TX403SMCRB		291.00
1.5	Floor trap	3	MODERN DRAIN ET2216 Floor Trap (For Tiles)		60.00	MODERN DRAIN ET2216 Floor Trap (For Tiles)		60.00
1.6	Shower Set	1	26052000 Rainshower® Cosmopolitan		4495.00	26466400 Hansgrohe		1900.00
			Grohe Sena Hand Shower 28581000		3336.00	27775000 Hansgrohe		550.00
			Grohe Allure Single Lever bath mixer 19315000		2668.00	Hansgrohe Metris Shower Mixer Diverter		960.00
			Grohe Rapido E Universal single - lever mixer 35501000		1465.00			

1.7	Bath Tub	1	Sovereign Rachel 1850 with spa option		10500.00	Arto #11b acrylic free-standing longbath c/w pop up waste size 1700x800x600		4000.00
1.8	Bath Tap		Grohe Allure wall mounted mixer 19386000			TOTO LE MUSE Series TX441SQ Wall Mount Bath Spout (PJ 1/2")		642.00
						TOTO LE MUSE Series TX442SQBR Progressive Bath & Shower Mixer with Divertor - Concealed Type		1372.00

Master Bathroom Subtotal

Option A

32476.00

Option B

22541.00






Job no **1310**

Title **PROPOSED EXTENSION AND REFURBISHMENT TO EXISTING 2-STOREY BUNGALOW AT NO 9 JALAN BRP 3/3B, SUNWAY RAHMAN PUTRA, BANDAR BARU SUNGAI BULOH, SEKSYEN U20, 40610 SHAH ALAM, SELANGOR DAHRUL EHSAN FOR MR. ONG BOON KIEN AND MDM. CHUA TONG SIEH.**

SCHEDULE OF SANITARYWARES AND FITTINGS

2 BATHROOM 4

	Item	Nos	Option A			Option B		
			Product Code	Image	Price RM	Product Code	Image	Price RM
2.1	Basin	1	TOTO LW640 Semi-Recessed Basin 505 x 505		689.00			
	Bottle Trap	1	TOTO THX1A-6N 'P' trap 350mm		157.00			
2.2	Tap	1	Grohe Quadra Single Lever Basin Mixer 32632000		2,487.00	Hansgrohe 32040000 Talis - Single lever basin mixer 80 with pop-up waste set		900.00
2.3	WC	3	Duravit Durastyle 215701		2300.00	TOTO VISION CW826JWS/ SW826JP, TORNADO II Dual Flush (6/3L) Water Closet set in S trap		1,931.00
	(Optional Upgrade)					TOTO TC283SJ Duraplast Elongated Soft Close Seat & Cover		455.00
	Stop Valve					TOTO TX277S		132.00
2.4	Hand Bidet		TOTO THX20MCRB		176.00			
2.5	Floor Trap	2	MODERN DRAIN ET2216 Floor Trap (For Tiles)		60.00	MODERN DRAIN ET2216 Floor Trap (For Tiles)		60.00
2.6	Shower Set	1	Grohe Euphoria System 180 Shower system with single lever mixer for wall mounting 27475000		7760.00	27154000 Hansgrohe		2150.00

2.7	Long Bath	1	Sovereign Sarah Long Bath size 1380 x 690 x 380		960.00	Bliss Hydrabath size 1360 x 680 c/w bath pop up waste		1,100.00
2.8	Bath Tap		Grohe 32638000 Quadra Single-lever bath shower mixer			TOTO OPUS Series TX447SOBR, 4-hole Deck Mounted Bath & Shower Mixer		2810.00
2.9	Urinal		TOTO Wall Hung Urinal Set c/w back inlet UW811HJ size 325x340x560		769.00			
			ECO Manual Operated Single Flush Valve with Single Flush Actuator in Stainless Steel Concealed box type		2214.00			

Bathroom 4 Subtotal

Option A

17572.00

Option B

9538.00

Job no **1310**

Title **PROPOSED EXTENSION AND REFURBISHMENT TO EXISTING 2-STOREY BUNGALOW AT NO 9 JALAN BRP 3/3B, SUNWAY RAHMAN PUTRA, BANDAR BARU SUNGAI BULOH, SEKSYEN U20, 40610 SHAH ALAM, SELANGOR DAHRUL EHSAN FOR MR. ONG BOON KIEN AND MDM. CHUA TONG SIEH.**

SCHEDULE OF SANITARYWARES AND FITTINGS

3 BATHROOM 6

	Item	Nos	Option A			Option B		
			Product Code	Image	Price RM	Product Code	Image	Price RM
3.1	Basin	1	Duravit Durastyle 037555 size 455 x 550		1150.00	KOHLER Memoirs® Stately 30" pedestal bathroom sink with single faucet hole		1550.00
	Bottle Trap	1	Kristo Bottle Trap		80.00	Kristo Bottle Trap		80.00
3.2	Tap	1	Grohe Quadra Single Lever Basin Mixer 32632000		2,487.00	KOHLER Fairfax® single-hole bathroom sink faucet with lever handle		1550.00
3.3	WC (Optional Upgrade) Stop Valve	3	Duravit Durastyle 215701		2300.00	KOHLER Memoirs® Stately Comfort Height® one-piece elongated 1.28 gpf toilet with Class Five® flush technology and right-hand trip lever		
3.4	Hand Bidet	1	TOTO THX20MCRB		176.00			
3.5	Floor Trap	2	MODERN DRAIN ET2216 Floor Trap (For Tiles)		60.00	MODERN DRAIN ET2216 Floor Trap (For Tiles)		60.00
3.6	Shower Set	1	Grohe Euphoria System 180 Shower system with single lever mixer for wall mounting 27475000		7760.00	27154000 Hansgrohe		2150.00
Bathroom 6 Subtotal			Option A		14073.00	Option B		5450.00

Job no **1310**

Title **PROPOSED EXTENSION AND REFURBISHMENT TO EXISTING 2-STOREY BUNGALOW AT NO 9 JALAN BRP 3/3B, SUNWAY RAHMAN PUTRA, BANDAR BARU SUNGAI BULOH, SEKSYEN U20, 40610 SHAH ALAM, SELANGOR DAHRUL EHSAN FOR MR. ONG BOON KIEN AND MDM. CHUA TONG SIEH.**

SCHEDULE OF SANITARYWARES AND FITTINGS

4 BATHROOMS 2 & 3

	Item	Nos	Option A			Option B		
			Product Code	Image	Price RM	Product Code	Image	Price RM
4.1	Basin	2	TOTO Model LW241CJ/ LW242HFJ Wall Hung Basin set size 580 x 500		575.00	Duravit D-Code 231060 size 460 x 600		710.00
	Bottle Trap	2	AC70 32mm cylindrical metal chrome bottle trap		50.00	Kristo Bottle Trap		80.00
4.2	Tap	2	Grohe Quadra Single Lever Basin Mixer 32632000		2,487.00	Hansgrohe 32040000 Talis - Single lever basin mixer 80 with pop-up waste set		900.00
4.3	WC	2	Duravit Durastyle 215701		2300.00	TOTO VISION CW826JWS/ SW826JP, TORNADO II Dual Flush (6/3L) Water Closet set in S trap		1,931.00
	Stop Valve	2				TOTO TC283SJ Duraplast Elongated Soft Close Seat & Cover		455.00
						TOTO TX277S		132.00
4.4	Hand Bidet	2	TOTO THX20MCRB		176.00			
4.5	Floor Trap	4	MODERN DRAIN ET2216 Floor Trap (For Tiles)		60.00	MODERN DRAIN ET2216 Floor Trap (For Tiles)		60.00
4.6	Shower Set	2	Grohe Euphoria System 180 Shower system with single lever mixer for wall mounting 27475000		7760.00	27154000 Hansgrohe		2150.00
Bathrooms 2,3 Subtotal			Option A	13408.00	Option B	6418.00		

Job no 1310

Title **PROPOSED EXTENSION AND REFURBISHMENT TO EXISTING 2-STOREY BUNGALOW AT NO 9 JALAN BRP 3/3B, SUNWAY RAHMAN PUTRA, BANDAR BARU SUNGAI BULOH, SEKSYEN U20, 40610 SHAH ALAM, SELANGOR DAHRUL EHSAN FOR MR. ONG BOON KIEN AND MDM. CHUA TONG SIEH.**

SCHEDULE OF SANITARYWARES AND FITTINGS

5 POWDER ROOM





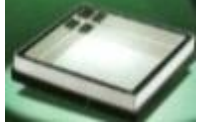
	Item	Nos	Option A			Option B		
			Product Code	Image	Price RM	Product Code	Image	Price RM
5.1	Basin	1	TOTO LE MUSE, Model LW812CJL Wall Hung Lavatory set Size 900 x 480 x 170		1,234.00	Duravit Bathroom Foster 041960 size 490 x 600		
	Bottle Trap	1	AC70 32mm cylindrical metal chrome bottle trap		50.00	Kristo Bottle Trap		80.00
5.2	Tap	1	Grohe Quadra Single Lever Basin Mixer 32632000		2,487.00	Hansgrohe 32040000 Talis - Single lever basin mixer 80 with pop- up waste set		900.00
5.3	WC	1	Duravit Durastyle 215701		2300.00	TOTO VISION CW826JWS/ SW826JP, TORNADO II Dual Flush (6/3L) Water Closet set in S trap		1,931.00
						TOTO TC283SJ Duraplast Elongated Soft Close Seat & Cover		455.00
						TOTO TX277S		132.00
5.4	Hand Bidet	1	TOTO THX20MCRB		176.00			
5.5	Floor Trap	1	MODERN DRAIN ET2216 Floor Trap (For Tiles)		60.00	MODERN DRAIN ET2216 Floor Trap (For Tiles)		60.00
Powder Room Subtotal			Option A		6307.00	Option B		3558.00

Job no 1310

Title **PROPOSED EXTENSION AND REFURBISHMENT TO EXISTING 2-STOREY BUNGALOW AT NO 9 JALAN BRP 3/3B, SUNWAY RAHMAN PUTRA, BANDAR BARU SUNGAI BULOH, SEKSYEN U20, 40610 SHAH ALAM, SELANGOR DAHRUL EHSAN FOR MR. ONG BOON KIEN AND MDM. CHUA TONG SIEH.**

SCHEDULE OF SANITARYWARES AND FITTINGS

7 KITCHEN

	Item	Nos	Option A			Option B		
			Product Code	Image	Price RM	Product Code	Image	Price RM
7.1	Dry Kitchen Basin	1	FOSTER Triplo Invaso.54.ST - 1488 86					
	Bottle Trap	1						
7.2	Dry Kitchen Tap	1	Grohe Minta Touch Electronic Single Lever Mixer 1/2"		7,693.00			
7.3	Wet Kitchen Sink	1	FOSTER GK 86.1V.p23,5.SF - 1402 100					
	Bottle Trap	1						
7.4	Wet Kitchen Tap	2	GROHE 32950000 K7 Single-lever sink mixer					
6.5	Wet Kitchen Floor Trap	2	MODERN DRAIN ET2216 Floor Trap (For Tiles)		60.00	MODERN DRAIN ET2216 Floor Trap (For Tiles)		60.00
Kitchen Subtotal			Option A		7753.00	Option B		60.00