

Benefits at a glance.

★★★★ **Premium quality**
Known for high reliability and durability, Geberit products ensures safe and trouble-free functions.

60 **Million** **Proven Technology**
Experience gained from installation of more than 60 million cisterns go into Geberit products.

↔ **Space saving**
The placement of a wall-hung WC and concealed cistern opens up space in the bathroom, giving you a generous feeling of space.

👁 **Modern design**
Trend-setting designed actuator plates upgrades your bathroom while a concealed cistern keeps all connections out of sight, providing a clean finish to your bathroom.

400 kg **Strength and stability**
The stable and strong frame is able to bear weight up to 400kg.

🔧 **Easy maintenance**
No hacking or drilling is required for maintenance.

🧼 **Easy cleaning**
Fewer edges, joints and corners, means simpler cleaning and a more hygienic bathroom.

4.5L **Water saving**
Water consumption is sustainably reduced with Geberit dual flush.

Geberit South East Asia Pte Ltd,
8 Kallang Avenue
Aperia Tower 1, #17-09
Singapore 339509

P +65 6250 4011
F +65 6250 4211
sales.sg@geberit.com

→ www.geberit.com.sg

Geberit South East Asia Pte Ltd,
Hong Kong Branch
1/F, 313 Lockhart Road, Wanchai,
Hong Kong

T +852 2575 5960
F +852 2575 2667
sales.hk@geberit.com.cn

→ www.geberit.com.hk

Geberit South East Asia Pte Ltd,
Representative Office in Malaysia
Nu Tower 2, Level 23, Suite 2319
Kuala Lumpur Sentral, Jalan Tu
Sambanthan,
Kuala Lumpur 50470,
Malaysia

T: +60 3 2727 1722
F: +60 3 2727 1723
sales.sg@geberit.com

→ www.geberit.com.sg

Geberit South East Asia Pte Ltd,
South Korea Branch
#301 JS Building, 213-5 Nonhyun-
Dong,
Kangnamw-ku, 135-090 Seoul,
South Korea

T: +82 2 543 4166
F: +82 2 543 4123
sales.kr@geberit.com

→ www.geberit.co.kr

Geberit South East Asia Pte Ltd,
Taiwan Office
4F. -6, No.57, Sec 1, Dunhua S. Road,
Songsshan Dist.,
Taipei City 105, Taiwan

T +886 2 2579 8736
sales.tw@geberit.com

→ www.geberit.com.hk

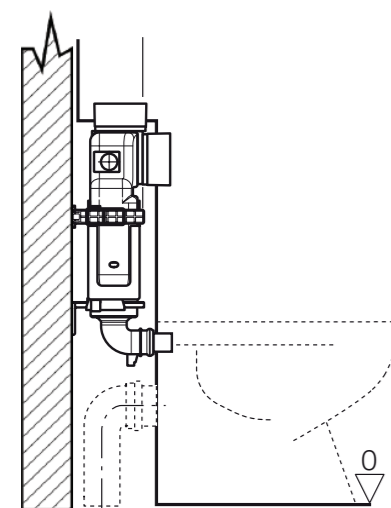
Geberit South East Asia Pte Ltd,
Thailand Office
173/18 Asia Centre Building,
17th Fl. Unit 106, South Sathorn Rd,
Thungmahamek, Sathorn,
Bangkok 10120,
Thailand

T: +66 (0)85 3685 829
E: sales.sg@geberit.com

→ www.geberit.com.sg

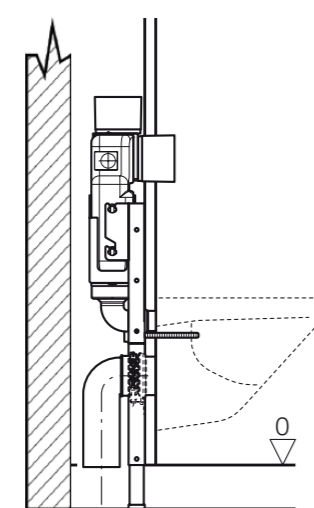
Universally applicable.

Floorstanding WC



Geberit Alpha concealed cistern is ideally compatible with floorstanding ceramics.

Wall-hung WC



Geberit Duofix element with Alpha concealed cistern is ideally compatible with wall-hung ceramics, as the Duofix frame is stable and can bear up to 400kg.

GEBERIT

Simple, functional.

Geberit Alpha series

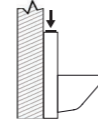


KNOW HOW INSTALLED  Swiss Technology

Simple design.
Functionally reliable.

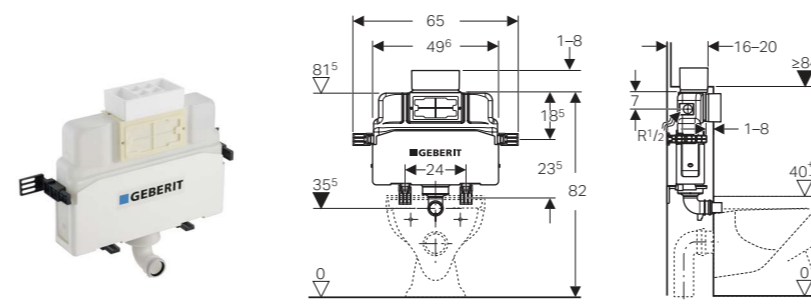
* Using the Duofix element with Alpha Front concealed cistern.

Alpha concealed cisterns.

Top actuation 

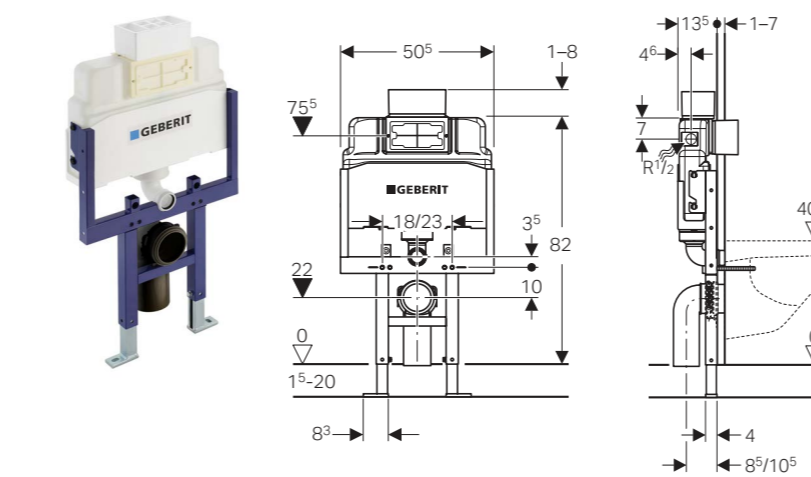
Alpha Top concealed cistern

thickness 110mm, height 820 mm
224.020.00.1 4.5L / 3L for SEA
224.019.00.1 6L / 3L for SEA



Duofix element with Alpha Top concealed cistern

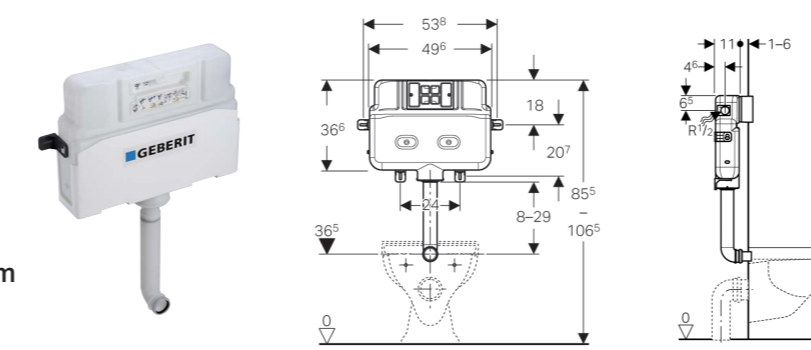
thickness 110mm, height 820mm
224.018.00.1 4.5L / 3L for SEA
224.017.00.1 6L / 3L for SEA



Front actuation 

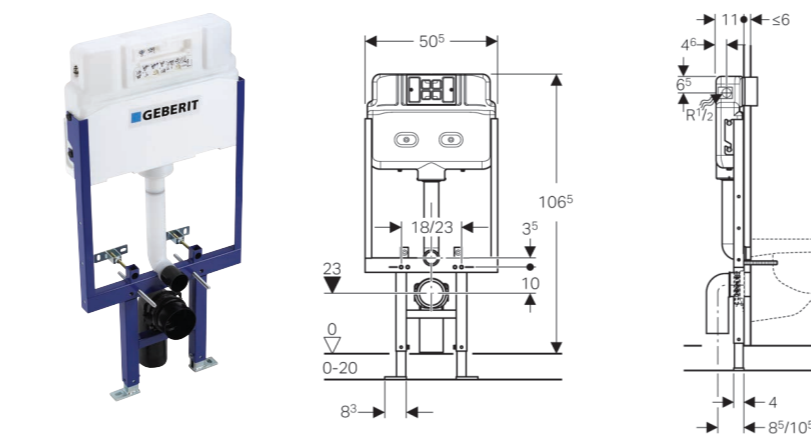
Alpha Front concealed cistern

thickness 110mm, height 855 - 1065mm
109.027.00.1 4.5L / 3L for SEA
109.021.00.1 6L / 3L for SEA

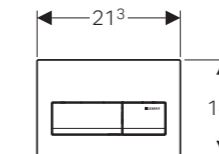
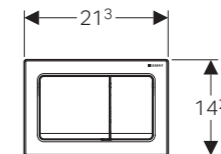
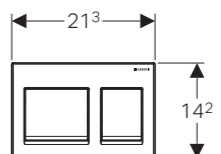
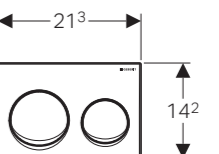
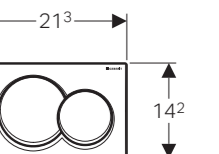

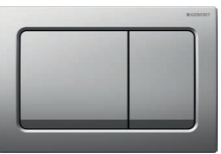




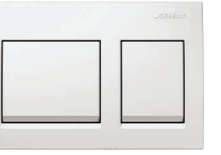




Duofix element with Alpha Front concealed cistern

thickness 110mm, height 1065mm
224.187.00.1 4.5L / 3L for SEA
224.185.00.1 6L / 3L for SEA



Alpha actuator plates.

New Alpha 50	New Alpha 30	Alpha 15	Alpha 10	New Alpha 01
				
→ 115.060.DW.1 Jet black Material: plastic	→ 115.055.21.1 Bright chrome-plated Material: plastic	→ 115.045.21.1 Bright chrome-plated Material: plastic	→ 115.040.21.1 Bright chrome-plated Material: plastic	→ 115.035.21.1 Bright chrome-plated Material: plastic
				
→ 115.060.11.1 White alpine Material: plastic	→ 115.055.46.1 Matt chrome-plated Material: plastic	→ 115.045.46.1 Matt chrome-plated Material: plastic	→ 115.040.46.1 Matt chrome-plated Material: plastic	→ 115.035.46.1 Matt chrome-plated Material: plastic
				
→ 115.055.11.1 White alpine Material: plastic	→ 115.045.11.1 White alpine Material: plastic	→ 115.040.11.1 White alpine Material: plastic	→ 115.035.11.1 White alpine Material: plastic	

Extension kit

Extension rod (for thicker walls)
242.758.00.1

