

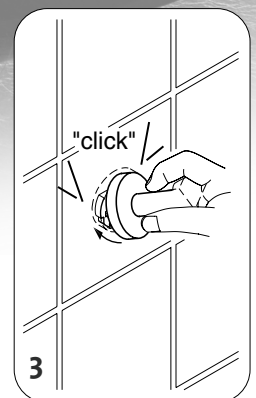
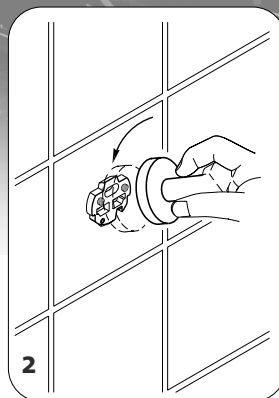
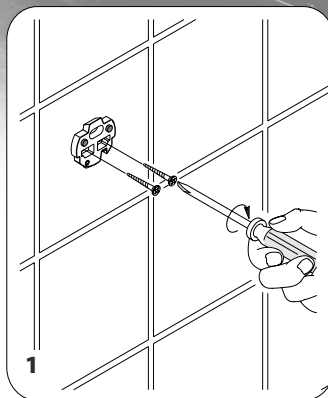
The Geesa Click System

The click system offers the following advantages:

1. Quick installation of accessory on wallplate (save 1 min per wallplate).
2. Easy installation: no tool required for installing accessory on wall plate (wall plate to be mounted by screws as usual).
3. Accessories will not resonate with engine vibrations. Play between wall plate and accessory is eliminated by patented system.
4. Tolerances within products are no problem for this system; holes in wall can be made by CNC in advance.

How to mount an accessory on a click wall plate?

1. Screw the click wall plate at the desired location with 2 or 3 screws.
2. Place the accessory on the top end of the click wall plate.
3. Rotate the accessory onto the wall plate and firmly press it until a clear click is heard.



For dismantling the accessory a special tool is needed, so regular users cannot take the accessory off the wall plate.