

PIONEERING IN FORM AND FUNCTION.

The new Talis® basin mixers - now also with Select™ technology.



SUPERB INNOVATION. EXCLUSIVE DESIGN.

How Hansgrohe and Phoenix Design continue to reinvent a classic.

The history of Hansgrohe mixers starts with a single word: perfection. From the beginning, it was our aim to use intelligent solutions to create an aesthetic experience in the bathroom. Which is why we have been collaborating with renowned designers since 1970. The result: innovative form and function for mixers, more than 100 international design

awards, and a regular top position in the iF Design ranking. 2002 saw a very special collaboration. An extremely appealing mixer with artistic influences was created in a joint venture with Phoenix Design: Talis S. Its dynamic angles and the horizontal pin handle instantly made it a genuine classic for modern washstands, that have been sold millions of times

since then. The shape was further perfected over the years, and various heights added. However, that is by no means the end of it. We're now embarking on a new chapter in the history of Talis's success: with new lines and revolutionary control technology. Hansgrohe Select – Pleasure at the touch of a button.



Talis® S



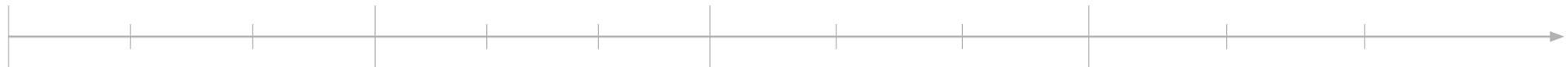
Talis® S² and Talis® E



Talis® 80 and 150



Talis® S, Talis® Select S, Talis® E and Talis® Select E



2002

The birth of Talis S. Hansgrohe and Phoenix Design introduced a new simplicity into the bathroom – an absolute success from the very beginning.

2007

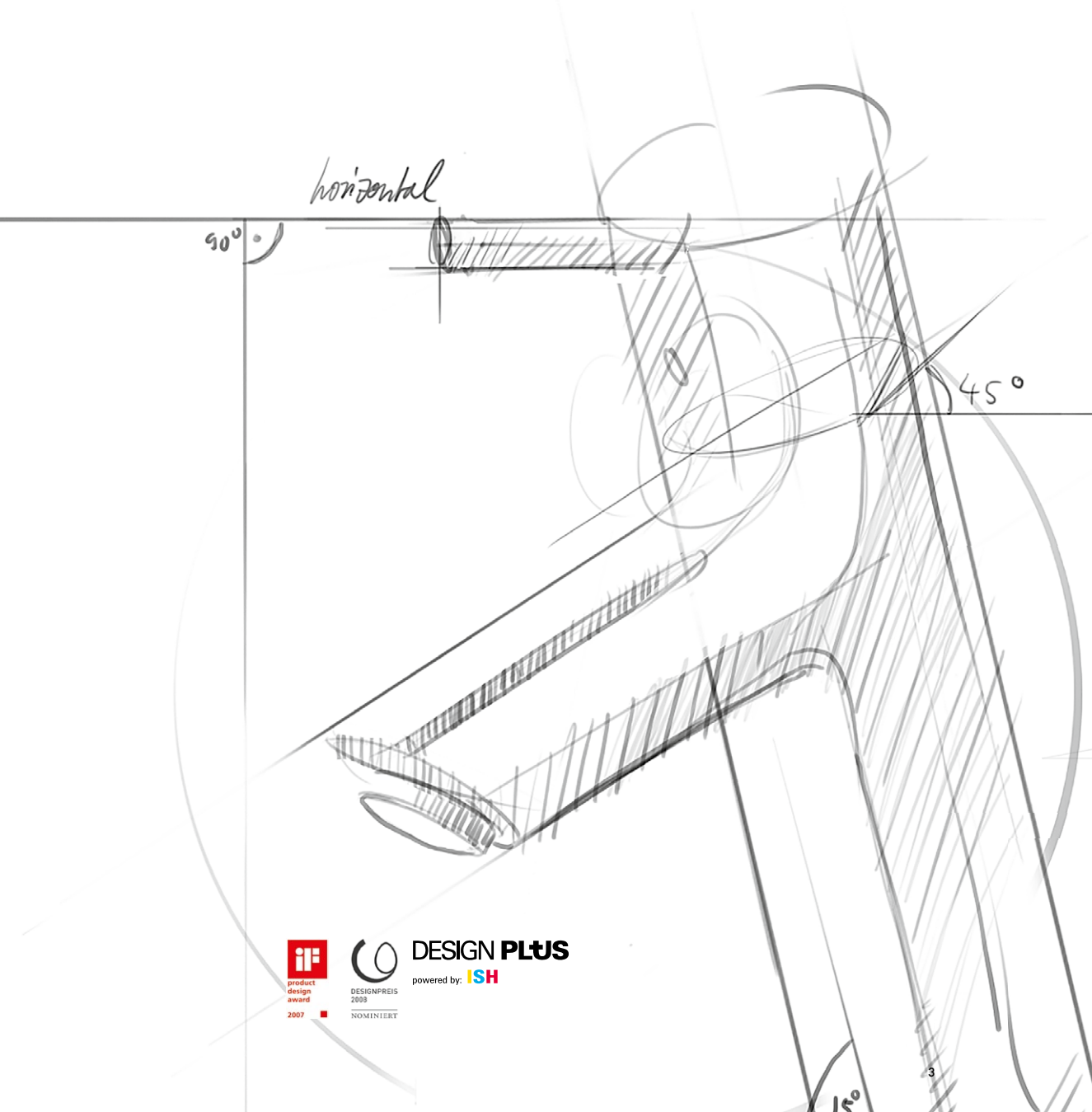
The classic continues to develop. Even higher, slimmer, and more precise. Talis E has been launched, a design alternative for the modern bathroom.

2012

Introduction of the ComfortZone. Different mixer heights offer the user as much freedom as he could possibly need at the basin. Plus a swivel spout that gently guides the water jet upwards – a great help when washing your hair or rinsing out your mouth.

2015

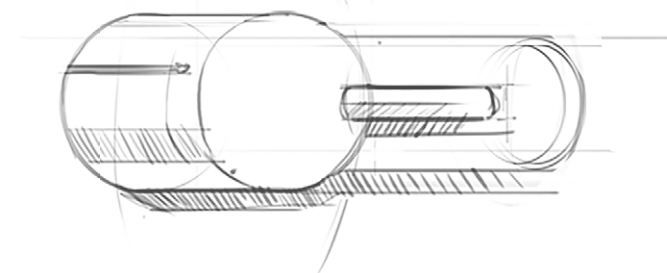
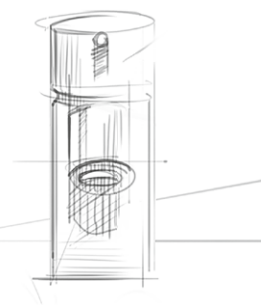
Presentation of the entirely re-designed Talis S and Talis E lines – with pin handles or innovative Select technology – available in three different mixer heights.



Burning for good design: managing partner Tom Schönherr founded Phoenix Design together with Andreas Haug in 1987.

What drives us.

Outstanding design and perfect function is our aim, our claim - yes, even our passion, for every single one of our products.

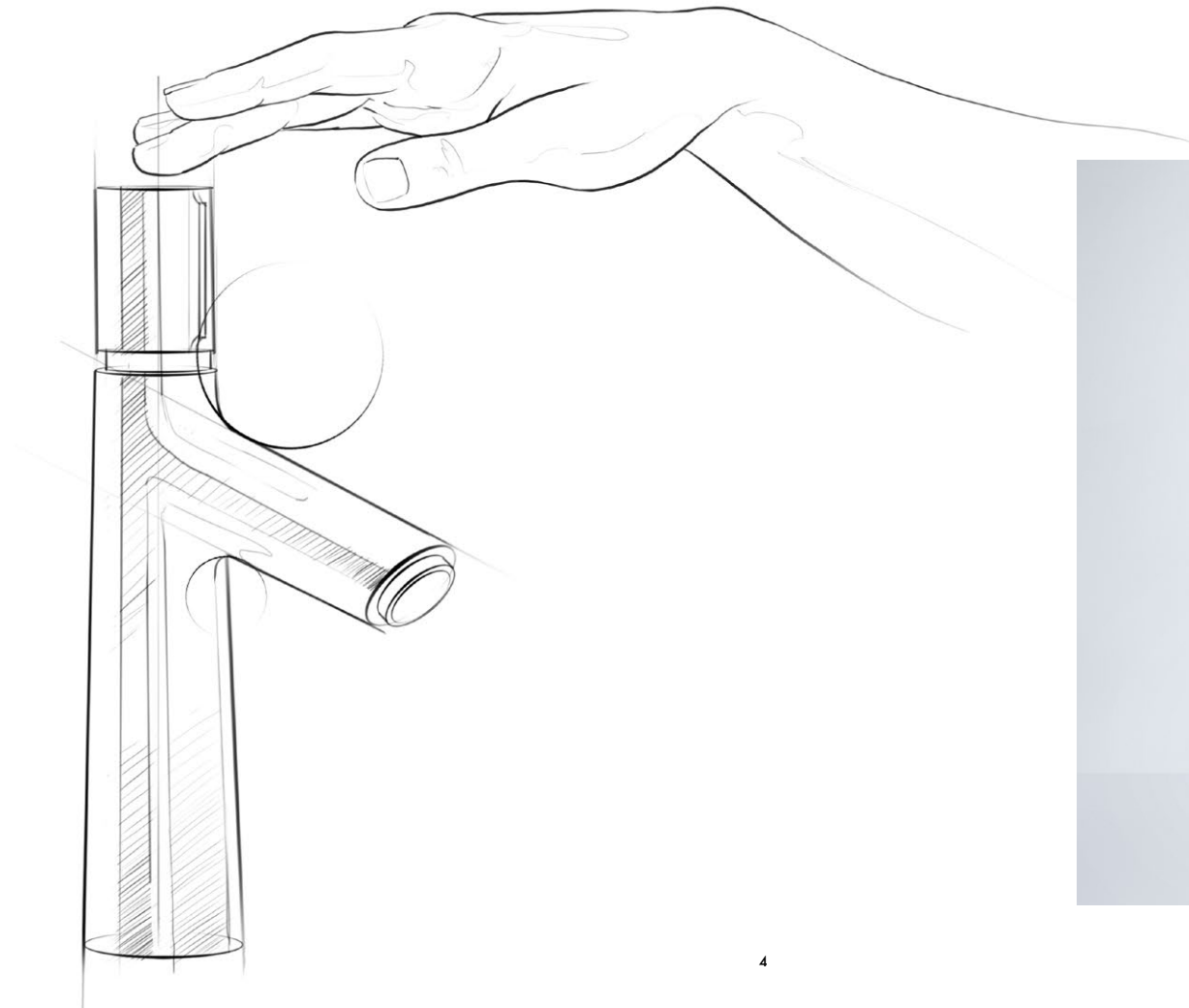


DESIGN PLUS

powered by: **ISH**

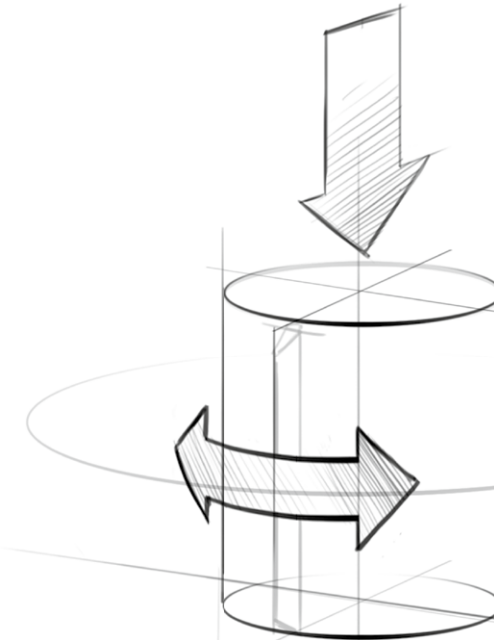
PLEASURE AT THE TOUCH OF A BUTTON.

Select™ technology - invented by Hansgrohe.



In a world where everything seems to be getting more and more complicated, it is often the simplest things that make life more pleasant. Which is why we ask ourselves - what changes can we make to make your daily life even easier? For the answer, we sought inspiration from buttons that make things easier by touching them - such as the On/Off button

on a coffee machine or the starter button in a car. So together with Phoenix Design, we developed a product innovation that is as brilliant as it is simple. A little extra something that would have a big effect - the Select button. Since then, it has revolutionised the way we use water, and also sets new standards in comfort and handling.



You turn the water flow on and off at the touch of a button and turn to set your chosen temperature.

PERFECTION IN AESTHETIC CLARITY.

Talis® S.

The conically upright body and slender pin handle form a classic style icon.

The slender pin handle underscores the uncompromisingly clear design of the Talis S and ensures it is easy to handle.



Simply scan the code to watch this product brought to life.

Talis® Select S.

Nothing disturbs the harmoniously reduced shapes of the Talis Select S. Its Select button blends seamlessly with the overall aesthetic appearance.



Select button to switch the water flow of the Talis Select S on and off. The temperature is controlled by turning it to the right or left.



ELEGANCE IN PURE CULTURE.

Talis® E.

Talis E with a lever handle obtains its unmistakable character from the combination of organic shapes, precise edges and shiny surfaces.

Talis E is a timeless, elegant item due to the lever being perfectly aligned with the spout.

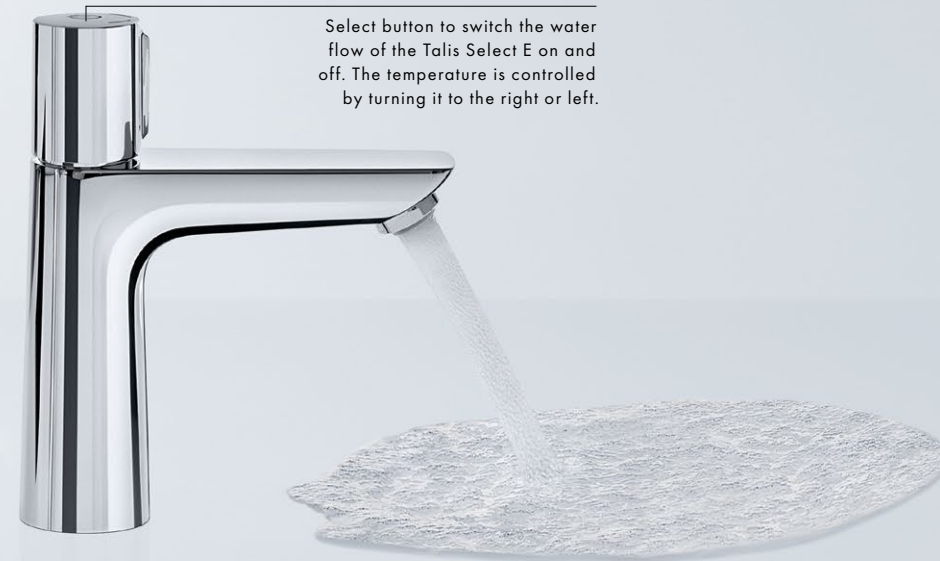


Talis® Select E.

Clear contours and a slender, tapered body lend the Talis Select E with the aesthetically shaped Select button establishing its elegance.



Select button to switch the water flow of the Talis Select E on and off. The temperature is controlled by turning it to the right or left.





TALIS® SELECT™ S – MIXER OR SCULPTURE?

The ultra clear, minimalistic design of the Talis Select S mixer adds a stylish accent to the modern bathroom ambience. With its precise lines, it supports the harmonious overall effect, and appeals not least for its innovative functionality.

Talis® Select S 190



TALIS® SELECT™ E – E FOR ELEGANCE.

The organic design language of the Talis Select E mixer is something to be proud of. With its clever combination of flowing lines, gently sweeping curves and the tapered body, it lends the bathroom a particularly elegant character.

Talis® Select E 240

COMFORT AT ALL LEVELS – TALIS® S.

It is the optimum combination of mixer and basin that creates made-to-measure comfort. That is why the Talis S is available in three different heights, known as the ComfortZones. To your individual wishes. When choosing the

right Talis S mixer, we will help you with the ComfortZone test. So you can find the right Talis S mixer quickly and easily for the basin of your choice.



Which mixer goes with which basin? How high or low does a mixer have to be to avoid irritating splashes? How much freedom do you need between the mixer and basin for the optimal comfort? With its ComfortZone test, a specially developed test procedure simulating real conditions, Hansgrohe analysed the properties of over 12000 combinations of its mixers and the most frequently used basins from leading manufacturers. The tests investigated the free space between the mixer and the basin, the splashing behaviour at different water pressures, and the spray from the washing of hands. You will find the results and recommendations at:

<http://pro.hansgrohe.co.uk/comfortzone-test>



MADE-TO-MEASURE COMFORT – TALIS® E.

A mixer has to fulfil a wide range of requirements. With the Talis E, there is no need to compromise in function or comfort. You decide what your requirements are with regard to freedom of movement between the water as it comes out of

the mixer spout and the bottom edge of the mixer, and choose the optimum Talis E mixer for your bathroom requirements from the three different ComfortZones.

Three different ComfortZones offer you the maximum possible combinations for the basin and the mixer.



Talis® S.

Basin



Talis® S 80
Single lever basin mixer
72010, -000 with pop-up waste set
72011, -000 with Push-Open waste
72012, -000 without waste set
72013, -000 CoolStart with waste
72014, -000 CoolStart without waste
72015, -000 LowFlow with waste
72018, -000 LowFlow without waste
72016, -000 for open water heaters
72017, -000 Pillar tap (not shown)



Talis® S 100
Single lever basin mixer
72020, -000 with pop-up waste set
72021, -000 without waste set
72022, -000 CoolStart with waste
72023, -000 CoolStart without waste
72024, -000 LowFlow with waste
72025, -000 LowFlow without waste



Talis® S 190
Single lever basin mixer
72031, -000 with pop-up waste set
72032, -000 without waste set



Talis® S 210
Single lever basin mixer
with 120° swivel spout
72105, -000 with pop-up waste set



Talis® S 140
Single lever basin mixer
72113, -000 with pop-up waste set
72114, -000 without waste set



Talis® S 250
Single lever basin mixer
72115, -000 with pop-up waste set
72116, -000 without waste set



Talis® S
3-hole basin mixer
72130, -000



Talis® S
Single lever basin mixer
for wall installation
72110, -000 165 mm
72111, -000 225 mm (not shown)
13622180 basic set



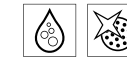
Bath



Talis® S
Single lever bath mixer,
floor standing, with Axor
Starck baton hand shower
72412, -000
10452180 basic set



Talis® S
3-hole rim-mounted mixer
72415, -000
13233180 basic set



Talis® S
3-hole rim-mounted mixer
72416, -000
13437180 basic set
72417, -000 (not shown)
13439180 basic set



Talis® S
4-hole bath mixer
for rim-mounted installation
72418, -000
13444180 basic set
72419, -000 (not shown)
13244180 basic set



Bath



Talis® S
Single lever bath mixer
exposed
72400, -000



Talis® S
Single lever bath mixer
concealed
72405, -000
72406, -000 with Safety combination



Talis® S
Bath filler
exposed
72410, -000



Shower



Talis® S
Single lever shower mixer
exposed
72600, -000



Talis® S
Single lever shower mixer
concealed
72605, -000
72607, -000 Highflow (not shown)

Bidet



Talis® S
Single lever bidet mixer
72200, -000



Talis® Select S.

Basin



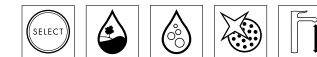
Talis® Select S 80
Basin mixer
72040, -000 with pop-up waste set
72041, -000 without waste set



Talis® Select S 100
Basin mixer
72042, -000 with pop-up waste set
72043, -000 without waste set



Talis® Select S 190
Basin mixer
72044, -000 with pop-up waste set
72045, -000 without waste set



Bidet



Talis® Select S
Bidet mixer
72202, -000



Talis® E.

Basin



Talis® E 80
Single lever basin mixer
71700, -000 with pop-up waste set
71701, -000 with Push-Open waste
71702, -000 without waste set
71703, -000 CoolStart with pop-up waste set
71704, -000 CoolStart without waste set
71705, -000 LowFlow with pop-up waste set
71707, -000 for open water heaters
71706, -000 Pillar tap (not shown)



Talis® E 110
Single lever basin mixer
71710, -000 with pop-up waste set
71711, -000 with Push-Open waste
71712, -000 without waste set
71713, -000 CoolStart with pop-up waste set
71714, -000 CoolStart without waste set
71715, -000 LowFlow with pop-up waste set



Talis® E 240
Single lever basin mixer
71716, -000 with pop-up waste set
71717, -000 without waste set



Talis® E 150
Single lever basin mixer
71754, -000 with pop-up waste set
71755, -000 without waste set



Talis® E
3-hole basin mixer
71733, -000



Talis® E
Single lever basin mixer
for wall installation
71732, -000 165 mm
71734, -000 225 mm (not shown)
13622180 basic set



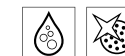
Bath



Talis® E
3-hole rim-mounted mixer
71747, -000
13233180 basic set



Talis® E
4-hole bath mixer
for rim-mounted installation
71748, -000
13244180 basic set



Talis® E
3-hole rim-mounted single lever
mixer
71730, -000
13437180 basic set
71731, -000 (not shown)
13439180 basic set



Talis® E
Single lever bath mixer
exposed
71740, -000



Bath



Talis® E
Single lever bath mixer
concealed
71745, -000
71474, -000 with Safety
combination



Talis® E
Bath filler
exposed
71410, -000



Shower



Talis® E
Single lever shower mixer
exposed
71760, -000



Talis® E
Single lever shower mixer
concealed
71765, -000
71768, -000 Highflow (not shown)

Bidet



Talis® E
Single lever bidet mixer
71720, -000 with pop-up waste set
71721, -000 with Push-Open waste



Talis® Select E.

Basin



Talis® Select E 110
Single lever basin mixer
71750, -000 with pop-up waste set
71751, -000 without waste set



Talis® Select E 240
Single lever basin mixer
71752, -000 with pop-up waste set
71753, -000 without waste set



ECOSMART TECHNOLOGY.

Lots of fun with low water consumption.



The invisibly integrated EcoSmart technology in the product saves energy and reduces the water flow to five litres per minute. For sustainable use of water.

When used on Hansgrohe mixers, EcoSmart can save large amounts of water in your daily bathroom routine. Thanks to this technology, we have been able to lower the consumption of our basin mixers to just five litres per minute – as standard.



AIRPOWER TECHNOLOGY.

More enjoyment and more efficiency with AirPower.



AirPower technology adds generous amounts of air to the water. For a soft, splash-free water spray.

Your AirPower mixer combines the flowing water with air. This provides a fuller water spray and prevents splashing when in use.



QUICKCLEAN TECHNOLOGY.

The fast solution for improved cleanliness.



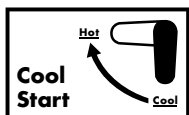
The practical QuickClean technology lets you quite simply rub away limescale effortlessly with your finger.

In order to make cleaning the basin mixers easier for you, the aerators in our mixers are fitted with flexible silicone slats. Simply rub over them with a finger to loosen any limescale deposits. So your mixers not only look lovely for longer, but they also work for longer.



COOLSTART TECHNOLOGY.

Save energy automatically with CoolStart.



Cold water starts to flow when the mixer is opened in the basic setting. You only consume hot water when you need it.

Maximum sustainability with CoolStart. Cold water flows in the basic position. You won't consume hot water or the energy until you actively start it. You will find this function as a product variant on our basin mixers.



Technologies.



Regulates the water flow at a simple push: a touch of playfulness as you start and stop the mixer.



Defines the individually useable area between the basin and mixer, to suit any requirement.



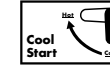
Reduces the flow rate to save water and energy. For long-lasting pleasure.



Combines water with a generous amount of air. For a soft, splash-free water spray.



Limescale deposits are simply wiped away by rubbing a finger over the flexible silicone jets.



Cold water starts to flow when it is opened in the basic setting. You consume hot water only when you need it.

Please note that this catalogue only contains a selection of our products.

You will find our complete range on our website. **Find out more about the world of Hansgrohe at www.hansgrohe.co.uk**



Experience products interactively with the Hansgrohe Showroom app

Enjoy the interactive experience of the Hansgrohe products in your home - with the Hansgrohe Showroom app **www.hansgrohe.co.uk/showroom-app**



Plan with the Hansgrohe@home app

Discover by iPhone, iPad or android smartphone just how perfect the Hansgrohe mixers and showers will look on your basin or in your shower at home - at **www.hansgrohe.co.uk/home-app**

