

Technologies.



A simple press regulates the water flow: Switching on and off with ease.



Combines water with a generous amount of air. For an especially homogenous and splash-free water spray.

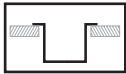


Limescale deposits are simply wiped away by rubbing a finger over the flexible silicone jets.

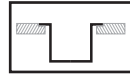


Defines the height, side clearance, and – with pull-out function – the length of the space around the mixer.

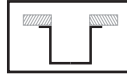
Installation possibilities sinks.



Surface-mounted installation



Flush installation



Undermount installation

Surfaces

Including the surface type, every order number (#) is made up of eight digits, e.g. 28500, -000 = chrome



chrome



hansgrohe

The loveliest workplace in the home.

With innovative sinks and mixers by Hansgrohe.



red dot award 2016
winner



The Hansgrohe SE has already won in the region of 500 international design awards, which makes Hansgrohe one of the highest award winners on the market.



For the loveliest moments with water.

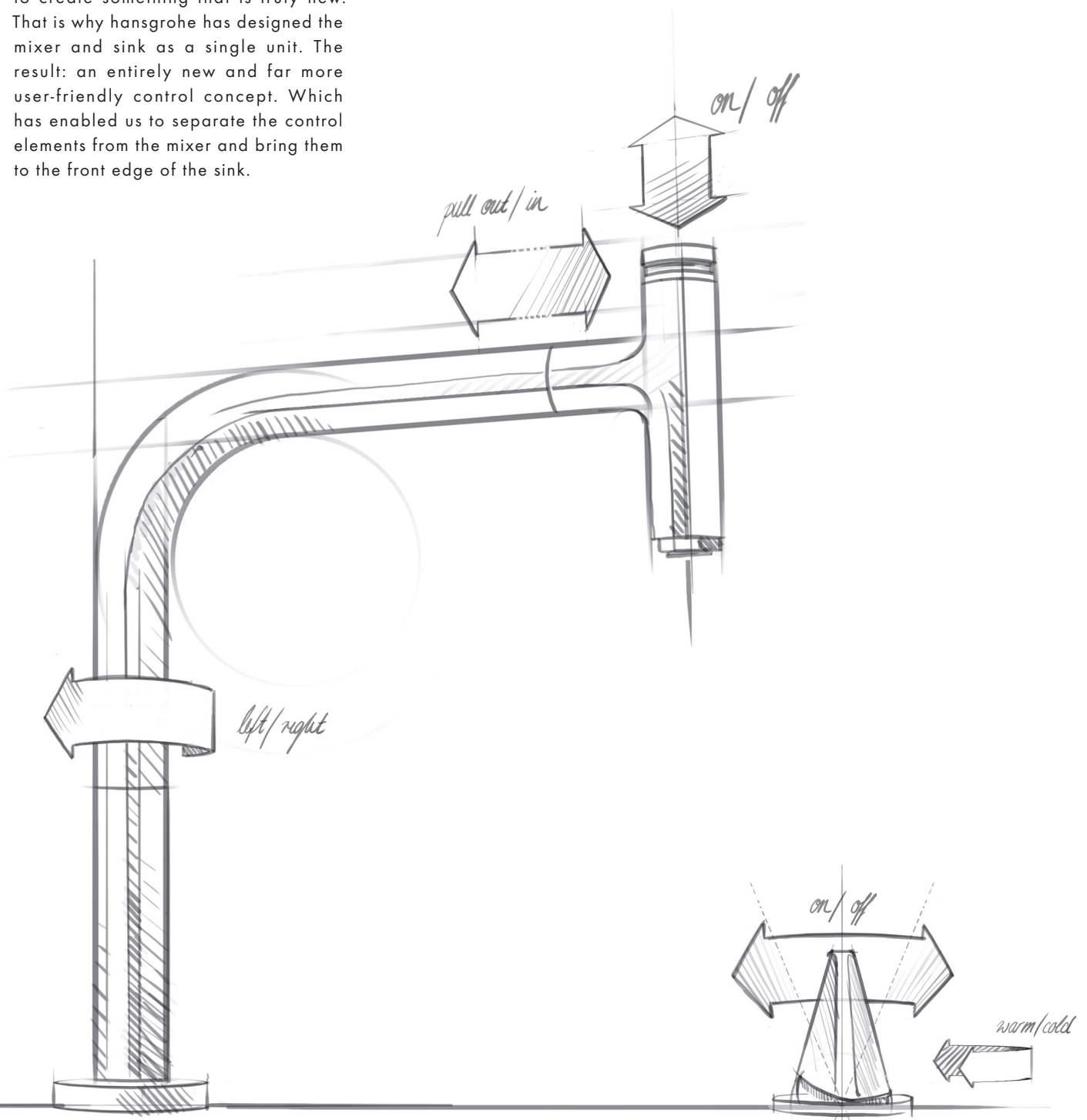
The new heart of your kitchen.

The kitchen is both a hub and a focus of daily life. It's where family and friends gather, where we cook, eat, chat, laugh and live. We at hansgrohe do everything we can to make sure you can enjoy this time. That is why we are always working on new ideas that will make using water a particularly special experience for you. First and foremost, though, what this means for your time in the kitchen is that the mixer and sink should not only be an aesthetic pleasure, but should also make your tasks as easy as possible. That is why we have rethought the way they work, and found innovative solutions. With little effort, and more pleasure.

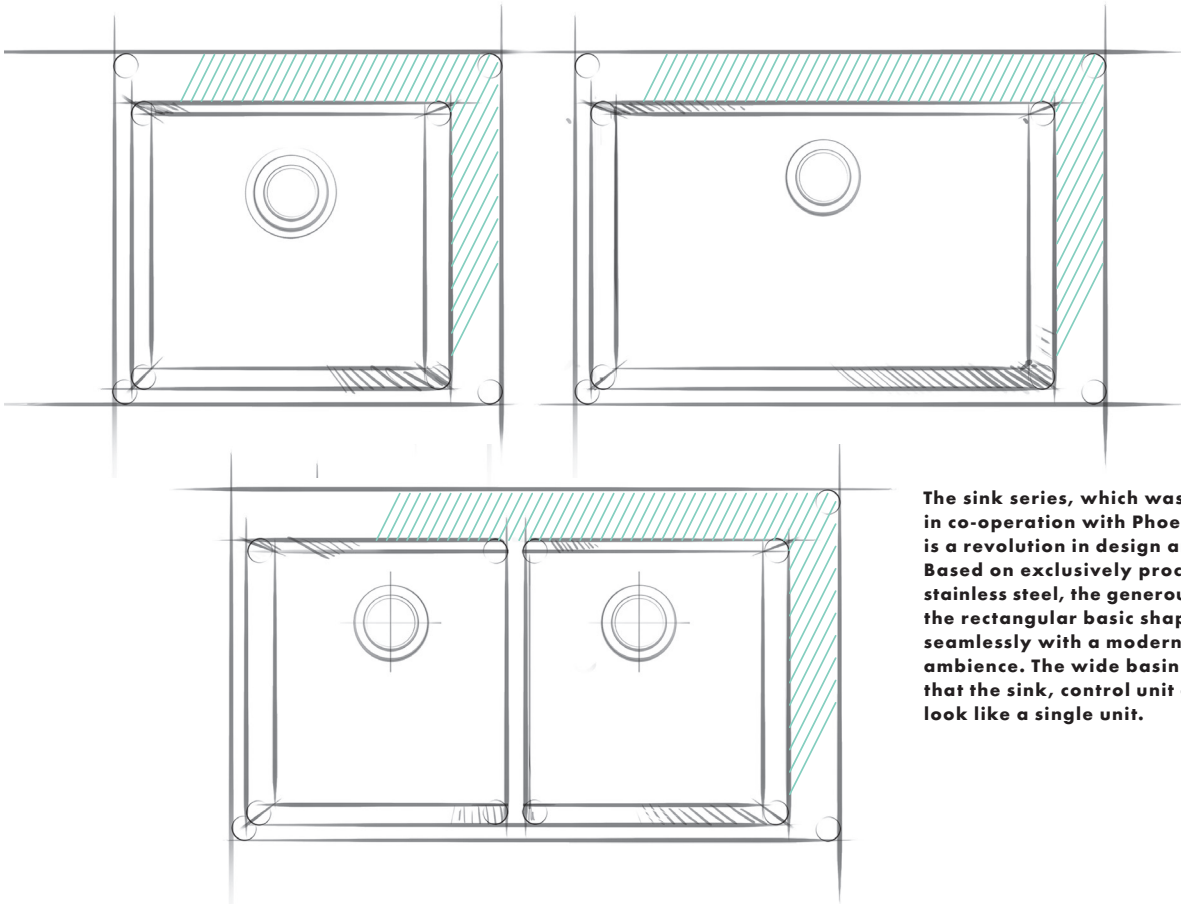
New thinking creates new possibilities.

The combination of kitchen sink and mixer sets new standards in the kitchen.

We have to think holistically if we want to create something that is truly new. That is why hansgrohe has designed the mixer and sink as a single unit. The result: an entirely new and far more user-friendly control concept. Which has enabled us to separate the control elements from the mixer and bring them to the front edge of the sink.

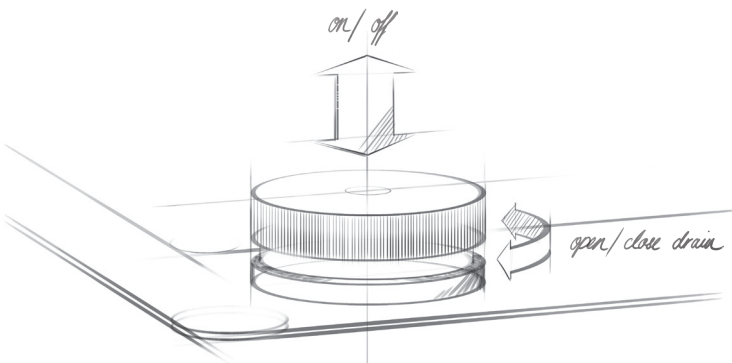


The new control concept for easier control.

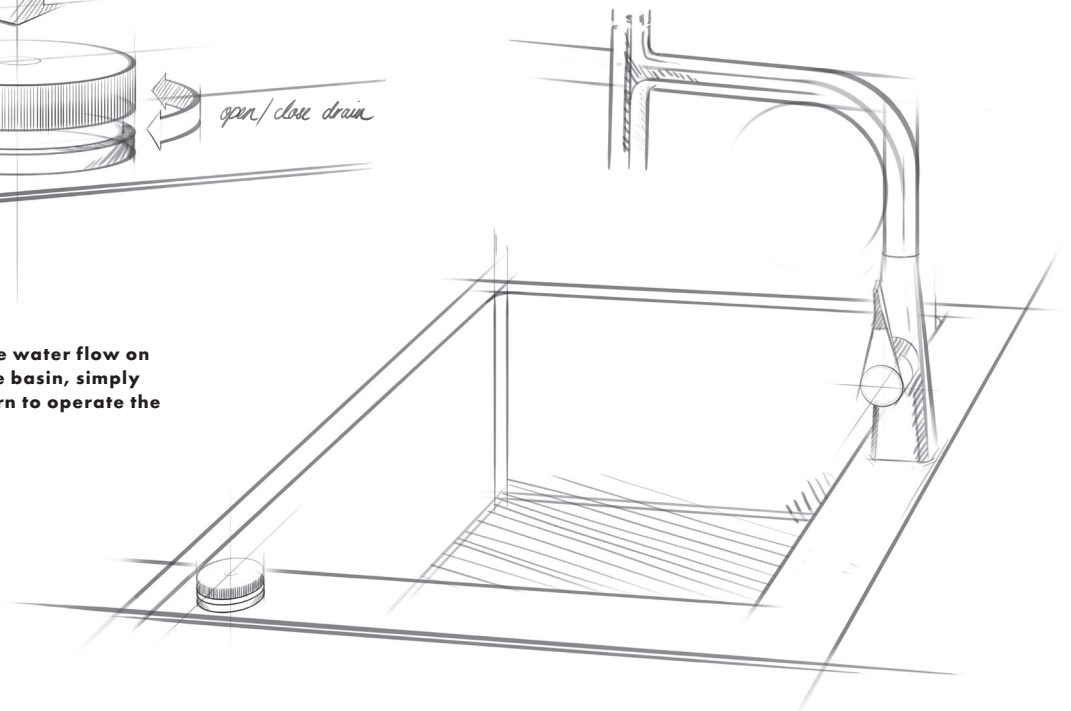


The sink series, which was developed in co-operation with Phoenix Design, is a revolution in design and function. Based on exclusively processed stainless steel, the generous lines with the rectangular basic shape blend seamlessly with a modern kitchen ambience. The wide basin rim ensures that the sink, control unit and mixer look like a single unit.

In order to give your options in the kitchen all the individuality they require, you have the choice of various sink shapes.



If you like, you can also turn the water flow on and off from the front rim of the basin, simply at the touch of a button, and turn to operate the waste set.



Sinks: seamless combination of form and function.

The new sinks offer plenty of possibilities – and the one that is absolutely right for you.

With a wide range of basins ranging from a compact single to a generous double version, there is also the right solution for your kitchen plans. Whichever option you choose, they all have one thing in common: unbeatable quality.



High quality material: robust, durable, of lasting value – the material of these exclusively made sinks is 1.2 mm thick, and the tap ledge is additionally reinforced to ensure that the mixer does not wobble. The hard stainless steel surface is heat-resistant, hygienic and easy to clean.



The compact sink with a new freedom of movement. Basin dimensions: 450 x 400 mm.



The sink with two basins for an even greater working radius. Dimensions of both basins: 370 x 400 mm.



The functional sink with two basins. Basin dimensions: 305 x 400 mm and 435 x 435 mm.

The new definition of washing up.

Innovative control concept that make kitchen tasks easier.

In the combination of sink and various mixer options, you can choose which control element you would like to use at the front edge of the basin. They all have two things in common: the innovative Select technology and an ergonomic handle that makes kitchen tasks easier than ever before.



Tilt to control the amount of water.



Turn to control the water temperature.



On this model, it is easy to change between the two spray types using the changeover button.

The mixer with the generous swivel range makes it easier to work at and around the sink.

The pull-out function provides up to 76 cm freedom of movement.

Controlling the water flow and temperature is easy using the ergonomic handle.



Water can be switched on and off at the touch of a button with Select.



The waste set is turned to active: left to close it, right to open it.

Maximum freedom – absolutely compact.

The compact sink with a new freedom of movement.

This innovative kitchen solution blends perfectly with modern and functional kitchens, and yet offers an entirely new freedom of movement. In a package with the 2-hole Select mixer, the amount and temperature of the water can easily be controlled from the front edge of the sink. Thanks to the pull-out spray with Select technology, you can also work safely beyond the rim of the basin, for instance to fill pots or containers on the worktop next to the sink.



The sink with the 2-hole Select mixer and manual waste set comes with automatic drain kit. Dimensions: Sink 550 x 500 mm, basin 450 x 400 mm, depth 190 mm, for 600 mm built-in cabinet.



A new dimension in matters of comfort.

The large sink offers more space in your kitchen.

The pull-out function provides up to 76 cm more freedom of movement.

Using the Select button on the pull-out spout, the water flow can be started and stopped easily and with complete precision.

The tilt lever initially starts and finally stops the water, and is used to select the water temperature. The water can be stopped or restarted at any time using the Select button on the pull-out spout while working at the sink.



The kitchen sinks can be freely combined with any other hansgrohe mixer.

Dimensions: Sink: 760 x 500 mm, basin 660 x 400 mm and depth 190 mm, for 800 mm built-in cabinet.



The swivelling mixer base provides flexibility in any direction.

The rectangular shape ensures that the wide rim is seen to its best effect as the optical connection between the mixer and the control unit, and provides a secure fit.



The user-friendly sink with the extra-wide basin (660 x 400 mm) offers exclusive design for intuitive working with no restrictions. Functionally, the mixers and separate handle have also been matched harmoniously to each other. So thanks to the Select technology and large basin, you can also enjoy complete freedom when faced with bigger challenges, such as a spontaneous meal with friends.



The interplay between the handle and shower facilitates simple operation from the front edge of the basin.

Double basin for double flexibility.

The new sinks with two basins.





There are no limits to the enjoyment and creativity in the kitchen with a hansgrohe sink and two basins. It offers an even larger working radius and, in combination with the innovative functionality of a kitchen mixer with a pull-out spray, offers the maximum in user comfort.



Built-in sink with two basins.
Dimensions: Sinks 305x400 mm and 435x435 mm, depth 190 mm,
for 900 mm built-in cabinet.

Multi-tasking made easy.

The double sink with different
sized basins.

The parallel basins offer endless space for your daily kitchen tasks. The smaller one is perfect for supporting activities, while the larger one provides plenty of space for the main kitchen activities. Whether washing dishes, or hands or rinsing vegetables, it's easy to perform several tasks at the same time here.



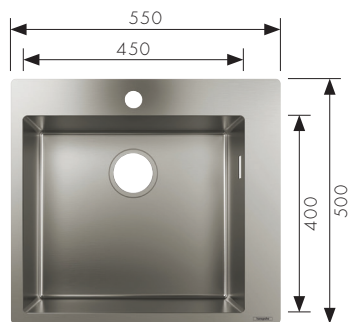
Sink: 865 x 500 mm
Large basin: 435 x 435 mm
Small basin: 305 x 400 mm
Depth: 190 mm



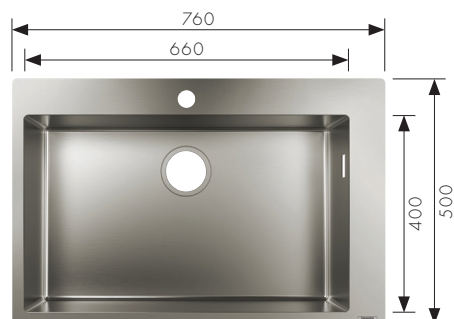
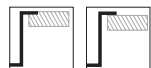
Built-in sinks: Making work easier and more enjoyable.

Whether it's more user comfort, more flexibility or more space, thanks to the wide range of sinks and freely combinable mixers, hansgrohe has the right solution for any kitchen: e.g. with the innovative control variants that are integrated in the edge of the sink that make your daily kitchen tasks even easier.

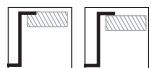
Built-in sinks



Built-in sink 450
depth 190 mm, for 600 mm built-in cabinet
43301, -809
43920, -009 with manual outflow fitting (not shown)
43930, -009 with automatic outflow fitting (not shown)



Built-in sink 660
depth 190 mm, for 800 mm built-in cabinet
43302, -809
43921, -009 with manual outflow fitting (not shown)
43931, -009 with automatic outflow fitting (not shown)



Metris Select
#73805,-000
2-hole Select single lever kitchen mixer 220 with pull out spray, two spray types
Built-in sink 450
43301,-809
Automatic drain kit for sink 450 for Select unit
#43940,-009



Metris Select
#73804,-000
2-hole Select kitchen mixer 200 with pull out spout
Built-in sink 450
43301 -809
Automatic drain kit for sink 450
#43930, -009

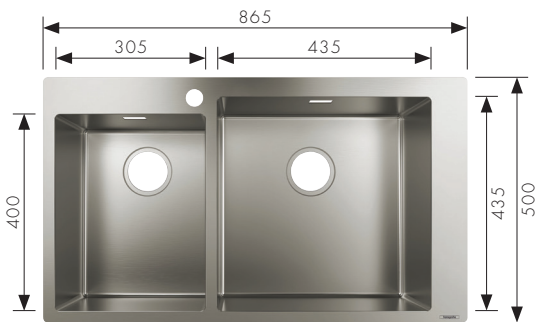


Metris Select
#73806,-000
2-hole Select single lever kitchen mixer 320 with pull out spray, two spray types
Built-in sink 660
43302, -809
Automatic drain kit for sink 660 for Select unit
#43941,-009



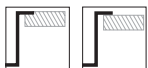
Metris Select
#73804,-000
2-hole Select kitchen mixer 200 with pull out spout
Built-in sink 660
43302, -809
Automatic drain kit for sink 660
#43931,-009





Built-in sink 305/435

depth 190 mm, for 900 mm built-in cabinet
 # 43304, -809
 # 43923, -009 with manual outflow fitting (not shown)
 # 43933, -009 with automatic outflow fitting (not shown)



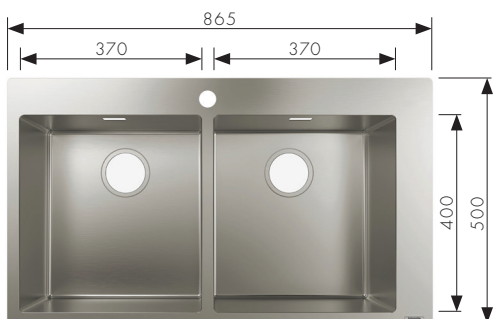
Metris Select

#73806,-000
 2-hole Select single lever kitchen mixer 320 with pull out spray, two spray types
Built-in sink with double sink 305 x 435
 # 43304, -809
Automatic drain kit for sink 305/435 for Select unit
 #43943,-009



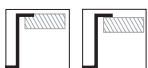
Metris Select

#73804, -000
 2-hole Select kitchen mixer 200 with pull out spout
Built-in sink with double sink 305 x 435
 # 43304, -809
Automatic drain kit for sink 305/435
 # 43933, -009



Built-in sink 370/370

depth 190 mm, for 900 mm built-in cabinet
 # 43303, -809
 # 43922, -009 with manual outflow fitting (not shown)
 # 43932, -009 with automatic outflow fitting (not shown)



Metris Select

#73806,-000
 2-hole Select single lever kitchen mixer 320 with pull out spray, two spray types
Built-in sink with double sink 370 x 370
 # 43303, -809
Automatic drain kit for sink 370/370 for Select unit
 #43942,-009



Metris Select

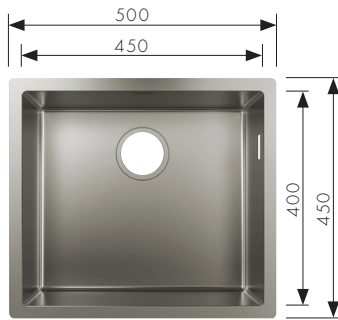
#73804, -000
 2-hole Select kitchen mixer 200 with pull out spout
Built-in sink with double sink 370 x 370
 # 43303, -809
Automatic drain kit for sink 370/370
 # 43932, -009



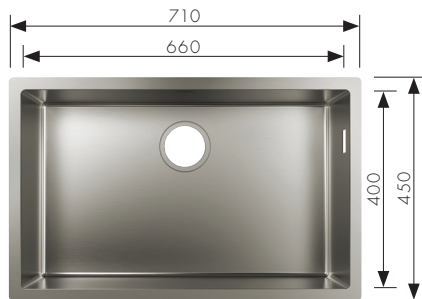
Undermount sinks: simple and elegant.

In addition to the conventional sinks for surface-mounted or flush installation, our sinks are also available as undermount versions. They are ideal in particular for exclusive worktops such as those made of granite. This form of installation makes the basins look integrated – and the workplace easy to clean.

Undermount sinks



Undermount sink 450
Depth 190 mm, for built-in cabinet 600 mm
43426, -809
Manual waste set: # 43920, -009
Automatic waste set: # 43930, -009



Undermount sink 660
Depth 190 mm, for built-in cabinet 800 mm
43428, -809
Manual waste set: # 43921, -009
Automatic waste set: # 43931, -009



Recommended mixers



Talis Classic
Single lever kitchen mixer
with pull-out spray, two spray types,
swivel range 150°
73870, -000 (with sBox)
#14863, -000



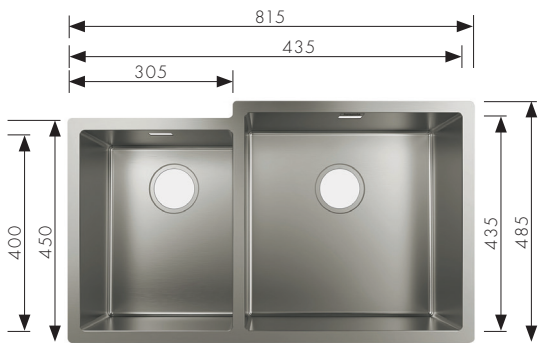
Talis
Select single lever kitchen mixer
with pull-out spout,
73852, -000 (with sBox)
#72822, -000



Metris
Single lever kitchen mixer
with pull-out spray, two spray types
73800, -000 (with sBox)
#14834, -000/800



Talis S
Single lever kitchen mixer
with pull-out spray, two spray types,
swivel range 150°
73860, -000 (with sBox)
#32841, -000/800



Undermount sink 305/435

Depth 190 mm, for built-in cabinet 900 mm
 # 43435,-809
 Manual waste set: # 43923,-009
 Automatic waste set: # 43933,-009



Metris Select

Single lever kitchen mixer
 with pull-out spout,
 swivel range 150°
 # 73803,-000 (with sBox)
 #14884,-000/800



Metris Select

Single lever kitchen mixer
 with pull-out spout,
 swivel range 150°
 # 73802,-000 (with sBox)
 #14857,-000/800



Undermount sink 370/370

Depth 190 mm, for built-in cabinet 900 mm
 # 43430,-809
 Manual waste set: # 43922,-009
 Automatic waste set: # 43932,-009



Metris

Single lever kitchen mixer
 with pull-out spray, two spray types,
 swivel range 110°/150°
 # 73801,-000 (with sBox)
 #14820,-000/800



Metris

Single lever kitchen mixer
 with pull-out spout,
 swivel range 110°/150°
 # 73812,-000 (with sBox)
 #14821,-000/800

All dimensions in mm.

As individual as your taste: our kitchen mixers

The hansgrohe mixer lines cater to every style and taste, from modern to classic, from geometric to rounded. Our wide range offers enough space for any individual attitude to life to be created in the kitchen.



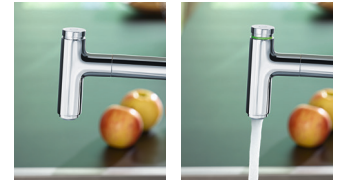


Fulfilling every requirement for perfect ergonomics.

Metris Select 2-hole

Minimalistic design blends stylishly with any ambience.

Spout swivels through 150° for absolute freedom in the kitchen.



Select button - start and stop the water easily at the touch of a button any time during the process.



Flexible working thanks to the practical pull-out spout (pulls out to 76 cm).

Plenty of space under the pull-out spout, e.g. for easy filling of tall saucepans.



The tilt lever initially starts and stops the water, and is used to select the water temperature. The water can be stopped or restarted at any time using the Select button on the pull-out spout while working at the sink.



Metris Select
2-hole single lever kitchen mixer
with pull-out spout, 1jet,
swivel range 150°
73804,-000



New ergonomics and functionality for the modern kitchen.

Metris Select 2-hole



On this model, it is easy to change between the two spray types using the changeover button.



Up to 76 cm pull-out spray.

Spout swivels through 150° for absolute freedom in the kitchen.

The basic shape is harmoniously matched to the shape of the sink.



This lever is used to initially start and stop the water, and also to select the water temperature. The water can be stopped or restarted at any time using the Select button on the front edge of the sink while still working.

ComfortZone

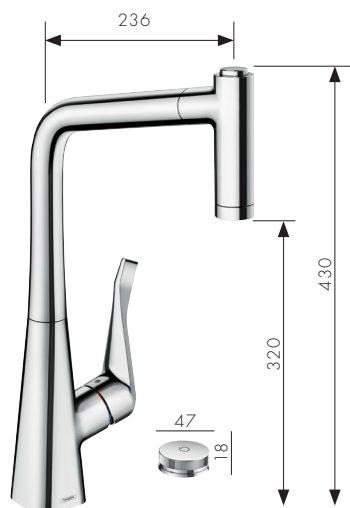
Plenty of space under the pull-out spout, e.g. for easy filling of tall saucepans.

Select button – start and stop the water easily at the touch of a button any time during the process. Turn to operate waste set.





Metris Select
 2-hole single lever kitchen mixer
 with pull-out spray and separate
 Select button, two spray types,
 swivel range 110°/150°
 # 73805,-000



Metris Select
 2-hole single lever kitchen mixer
 with pull-out spray and separate
 Select button, two spray types,
 swivel range 110°/150°
 # 73806,-000



Easy operation is the best recipe.

Metris Select

Spout swivels through 150° for absolute freedom in the kitchen.

The basic shape is harmoniously matched to the shape of the sink.

Select button – start and stop the water easily at the touch of a button.

Flexible working thanks to the practical pull-out spout (pulls out to 76 cm).

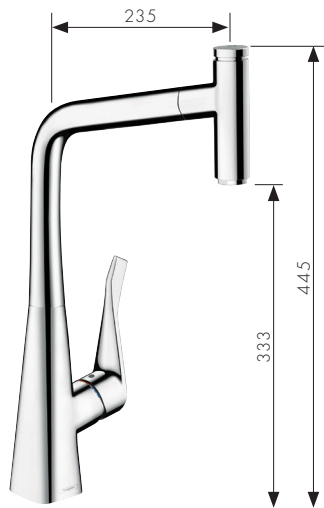
Ergonomic flat handle design for better adjustment of the water temperature and quantity.

Plenty of space under the high spout, e.g. for easy filling of tall saucepans.

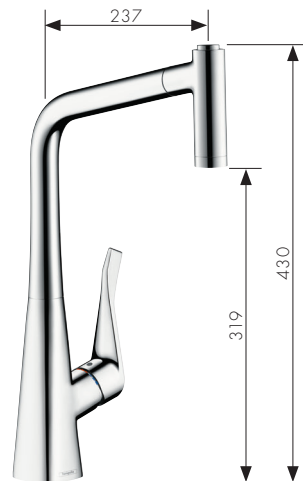
This lever is used to initially start and finally stop the water, and also to select the water temperature. The water can be stopped or restarted at any time using the Select button on the front edge of the sink while still working.



Flexible: tasks blend seamlessly thanks to the combination of the intuitive Select button and practical pull-out spout – for more comfort in the kitchen and beyond the sink.



Metris Select
 Single lever kitchen mixer
 with pull-out spout,
 swivel range 150°
 # 73803, -000 (with sBox)
 #14884, -000/800

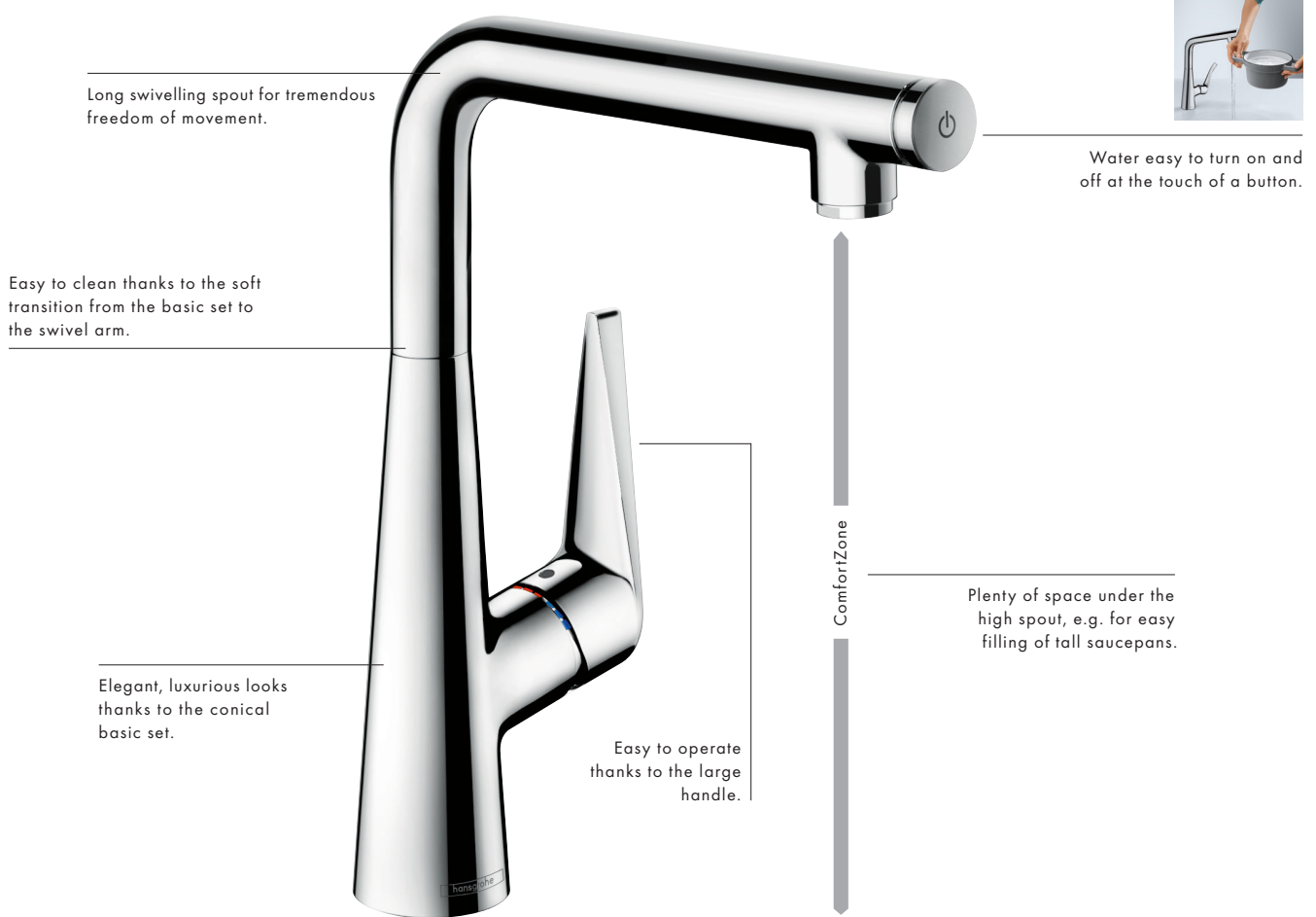


Metris
 Single lever kitchen mixer
 with pull-out spray, 2 spray types,
 swivel range 110°/150°
 # 73801, -000 (with sBox)
 #14820, -000/800



The all-rounder for the modern kitchen.

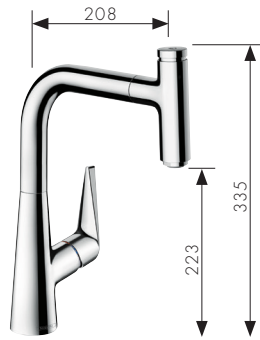
Talis Select



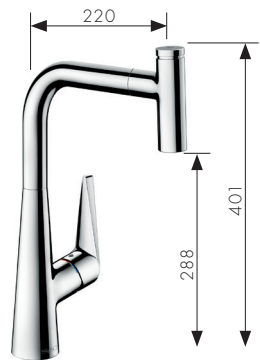
Versatile: even vessels that are some distance away are easy to reach and fill without splashing thanks to the Select button and the pull-out hose – even with just one hand.



Robust: the Select button is purely mechanical, which means it is particularly robust.



Talis Select 5
 Single lever kitchen
 mixer with pull-out spout,
 swivel range 150°
 # 73852, -000 (with sBox)
 #72822, -000/800



Talis Select 5
 Single lever kitchen
 mixer with pull-out spout,
 swivel range 150°
 # 73853, -000 (with sBox)
 #72821, -000/800



Greater freedom of movement when cooking and washing up.

Talis



Long swivelling spout for tremendous freedom of movement.

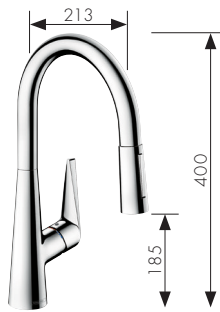
Easy to clean thanks to the soft transition from the basic set to the swivel arm.



2 spray types (normal/shower spray) with changeover button.

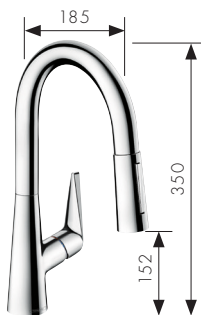
Elegant, luxurious looks thanks to the conical basic set.

Easy to operate thanks to the large handle.



Talis S

Single lever kitchen mixer
with pull-out spray, 2 spray types,
swivel range 110°/150°
73851, -000 (with sBox)
#72813, -000/800



Talis S

Single lever kitchen mixer
with pull-out spray, 2 spray types,
swivel range 110°/150°
72850, -000 (with sBox)
#72815, -000/800



Focus

Single lever kitchen mixer
with pull-out spray, 2 spray
types, swivel range 150°
73880, -000 (with sBox)
#31815, -000/800

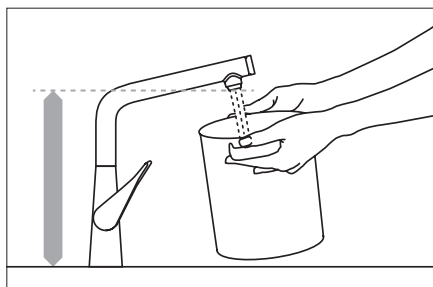
Greater freedom of movement in the kitchen.

hansgrohe kitchen mixers are full of ideas, and make your daily working sequences even more pleasant.

ComfortZone

Height.

An ultra-high spout offers plenty of space, and is ideal for filling large containers and pots.



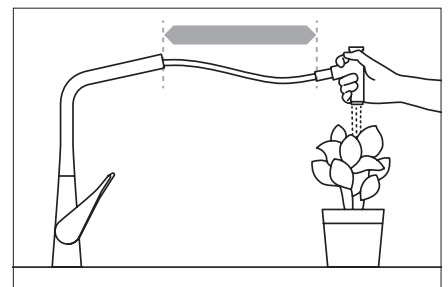
Swivel function.

The mixers offer you either a limited swivel range (110°/150°) or all-round freedom of movement (360°). Especially practical for working to the right and left of the mixer.



Pull-out spray/spout.

The pull-out spray or pull-out spout extends the range at the sink. Of benefit for instance when watering plants etc.



sBox, hansgrohe's hose garage.

As part of hansgrohe's sink combis, the sBox with the interior guide for the pull-out hose guarantees excellent protection against external obstacles, ensuring the hose glides in and out smoothly from the former 50 cm to now up to 76 cm. Thanks to its flexible installation options, it ensures the perfect fit in all base units from 60 cm at all times.



What drives us every day: quality that delights.

At hansgrohe, it's all about making perfectly designed products with long lifetimes, in an aesthetic design that offers a high level of comfort when used.



ComfortZone height:
The extra-high spout offers plenty of freedom for filling tall containers.



ComfortZone swivel function:
Swivel range (110°/120°/150°) or all-round freedom of movement (360°).



ComfortZone pull-out function:
Greater working radius thanks to the pull-out spout. Helpful, for instance, when filling a teapot.



Pull-out spray with two spray types:
The pull-out spray offers two types of spray (normal and shower), which are easy to set.



MagFit-magnetic holder:
Thanks to the MagFit function, the hose slides back almost silently, and slots back into place in the middle of the mixer spout.



Ergonomic handles:
Long flat handles for ease of control.



Variable handle positioning:
The handle can be installed on the left or right, as preferred.



QuickClean:
It is very difficult for limescale to take hold on the elastic disc, although if it does, it can easily be rubbed away with a finger.



Vertical handle position:
For space-saving installation against a wall, and therefore difficult for children to reach.



PEX hoses:
PEX hoses are temperature-resistant and neutral in taste and odour.



Easy installation:
Flexible connections and an integrated stabilisation plate make the installation easier, and guarantee a safe connection between the mixer and the sink.



Ceramic or joystick cartridge with a Boltic handle lock:
Handle lock ensures wobble-free operation. Special plastics and cartridges for a long mixer life.



Five year warranty:
You can trust hansgrohe quality. This is confirmed by the voluntary five-year warranty.



Quality made by hansgrohe:
High quality materials and the fulfilment of international standards assure buyers that they are purchasing a long lasting quality product.



sBox:
The pull-out spout extends the range at the sink. The sBox ensures that the hose is guided safely and protected from damage.