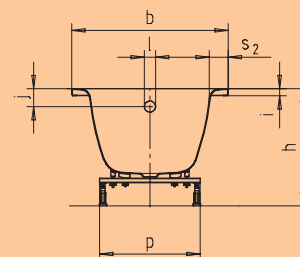
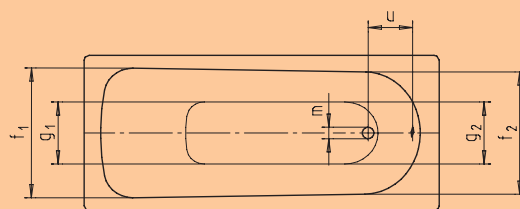
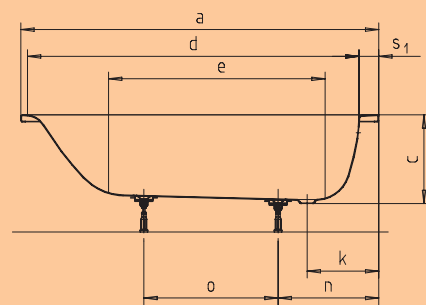




**Eurowa bathtubs  
and shower trays  
made of steel enamel**



- one-seater bathtub with drain at foot end
- classic rectangular model
- available in alpine white or pergamon
- anti-slip optional
- stick-on bath feet 5047
- strap-on bath feet 5039

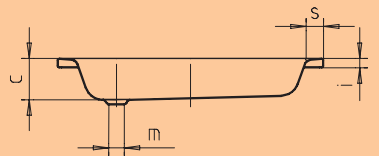
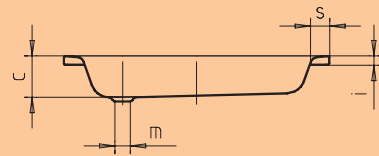
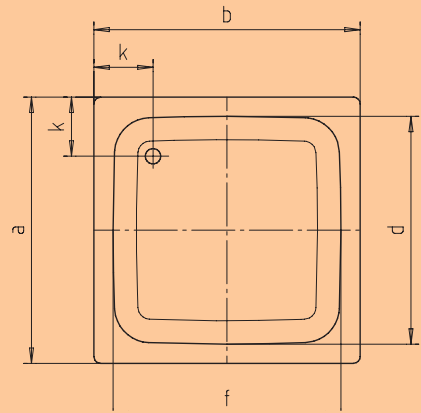


		140/70	150/70	160/70	170/70
External length	a	1400 mm	1500 mm	1600 mm	1700 mm
External width	b	700 mm	700 mm	700 mm	700 mm
Depth	c	390 mm	390 mm	390 mm	390 mm
Internal length (top)	d	1230 mm	1330 mm	1430 mm	1530 mm
Internal length (bottom)	e	850 mm	950 mm	1050 mm	1150 mm
Internal width (top)	f1; f2	550; 530 mm	550; 530 mm	550; 530 mm	550; 530 mm
Internal width (bottom)	g1; g2	390; 350 mm	390; 350 mm	390; 350 mm	390; 350 mm
Height with feet	h	515-535 mm	515-535 mm	515-535 mm	515-535 mm
Height of rim	i	32 mm	32 mm	32 mm	32 mm
Distance top edge to centre of overflow hole	j	65 mm	72 mm	70 mm	63 mm
Distance tub edge (foot) to centre of drain hole	k	310 mm	320 mm	310 mm	310 mm
Diameter of overflow hole	l	52 mm	52 mm	52 mm	52 mm
Diameter of drain hole	m	52 mm	52 mm	52 mm	52 mm
Distance foot end of tub edge to centre of base	n	455 mm	445 mm	452,5 mm	450 mm
Distance between the feet	o	445 mm	555 mm	600 mm	740 mm
Max. width of feet	p	380 mm	380 mm	380 mm	380 mm
Width of rim (foot end; lengthwise)	s1; s2	85; 75 mm	85; 75 mm	85, 75 mm	85; 75 mm
Distance between centre holes	u	212 mm	212 mm	212 mm	212 mm
Water volume* in litres		51	61	72	86
Anti-slip		ø 288 mm	ø 288 mm	ø 288 mm	ø 288 mm

\* 70 litres displacement on average

Subject to technical alterations and tolerances

- a classic among shower trays
- modern, clear design
- available in rectangular or square design
- available in alpine white



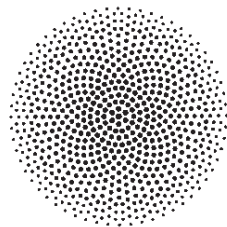
		75/80	80/80	75/90	90/90
External length	a	750 mm	800 mm	750 mm	900 mm
External width	b	800 mm	800 mm	900 mm	900 mm
Depth	c	140 mm	140 mm	140 mm	140 mm
Internal length	d	620 mm	670 mm	620 mm	770 mm
Internal width	f	670 mm	670 mm	770 mm	770 mm
Height of rim	i	32 mm	32 mm	32 mm	32 mm
Distance tray edge to centre of drain hole	k	200 mm	200 mm	200 mm	200 mm
Diameter of drain hole	m	52 mm	52 mm	52 mm	52 mm
Width of rim	s	65 mm	65 mm	65 mm	65 mm

Subject to technical alterations and tolerances

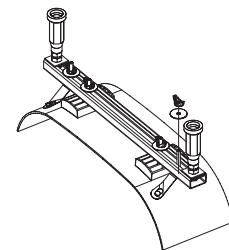
All Eurowa products are made of steel enamel. This material has an extremely hard surface that not only stands up to impact but also effectively resists scratches, abrasion and acid. This means that Eurowa products made of steel enamel cannot be damaged by objects usually found in the bathroom that might accidentally fall into the bathtub or shower tray.

Colour:  
alpine white

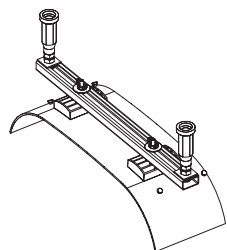
Colour:  
pergamon



Anti-slip



Bath feet 5039



Bath feet 5047

Eurowa,  
Beckumer Str. 33-35,  
59229 Ahlen  
Germany