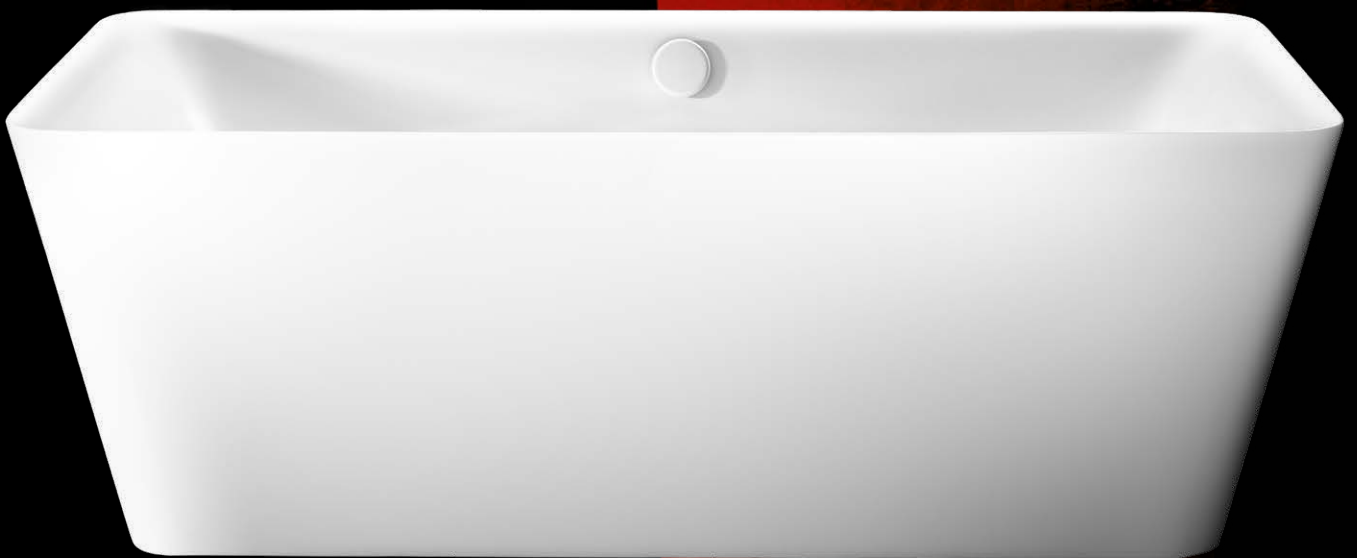


SPECIFICATION BOOK
2016



KALDEWEI

KALDEWEI was founded in 1918, and today it is the fourth generation that is devoted to the combination of steel and enamel with such passion. This was the only way to achieve an exceptional fusion that guarantees the special KALDEWEI quality and durability.

KALDEWEI STEEL ENAMEL WITH 30 YEARS GUARANTEE

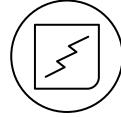
Steel and glass – two entirely authentic and natural materials, used for centuries, and each with its own inherent material properties. Steel signifies strength, toughness, robustness and optimum ductility. Glass is highly resistant to chemical or thermal stress and has an excellent appearance. KALDEWEI steel enamel 3.5 mm combines robust steel and tough glass to form an inseparable bond harnessing the strengths of each material in perfect symbiosis. As a pioneer consistently pushing the boundaries to make the good even better, KALDEWEI has steadily advanced, refined and optimised the special formula and manufacturing processes of KALDEWEI steel enamel 3.5 mm for almost a century now. KALDEWEI steel enamel 3.5 mm guarantees lasting quality that remains visible, tangible and irresistible day after day.

TOTALLY INCOMPARABLE



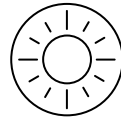
HEAT RESISTANT

Burning and smouldering objects such as cigarettes or candles do not leave marks on the surface.



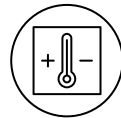
SCRATCH AND IMPACT RESISTANT

KALDEWEI steel enamel is much harder than acrylic and highly resistant to mechanical stress.



UV RESISTANT

Lightfast, resistant to UV light and does not fade: KALDEWEI steel enamel ensures that shower surfaces look as good as new even after 30 years.



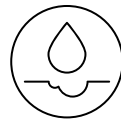
DIMENSIONALLY STABLE

KALDEWEI baths and shower surfaces hardly expand at all in temperature fluctuations, thereby reducing the risk of cracked joints or structural damage through moisture penetration.



EASY TO CLEAN AND HYGIENIC

Without even the tiniest scratches, bacteria have nowhere to settle. Simply wipe with a damp cloth.



CHEMICAL RESISTANT

Perfume, bath additives or common household detergents will not harm the KALDEWEI steel enamel.



SUSTAINABLE

KALDEWEI manufactures its shower surfaces using only natural materials that can be fully recycled.

MOHS SCALE

Density	1	2	3	4	5	6	7	8	9	10
Material	Tallow, candles	Plaster-board - Plaster	Synthetics, paint	Marble	Iron	Steel	Enamel, Porcelain, Glass	Topaz	Sapphire	Diamond
Wear resistance	very low		low	adequate	good		very good	exceptionally good		

SHOWER SURFACES, BATHS AND WASHBASINS

KALDEWEI STEEL ENAMEL

QUICKFINDER

Arrondo	238 - 239
Arrondo with apron	240 - 241
Asymmetric Duo	32 - 33
Bassino	34 - 35
Cayono	130 - 131
Centro Inset Countertop Washbasin	304 - 305
Centro Countertop Washbasin	306 - 307
Centro Undercounter Washbasin	308 - 309
Centro Wall-Hung Washbasin	310 - 311
Cono Built-in Washbasin	312 - 313
Cono Inset Countertop Washbasin	314 - 315
Cono Countertop Washbasin	316 - 317
Cono Undercounter Washbasin	318 - 319
Cono Wall-Hung Washbasin	320 - 321
Centro Duo Oval	44 - 47
Centro Duo 2	40 - 41
Centro Duo 1 right/left	38 - 39
Centro Duo	36 - 37
Centro Duo 6	42 - 43
Classic Duo Oval	84 - 87
Classic Duo Oval Wide	88 - 89
Classic Duo	80 - 81
Conoduo	48 - 53
Conoflat	184 - 195
Comezza	196 - 197
Duo Pool	54 - 55
Duschplan	242 - 249
Duschplan XXL	252 - 253
Dyna Set/Dyna Set Star	90 - 91
Ellipso Duo	56 - 57
Ellipso Duo Oval	58 - 59
Fontana	254 - 255
Incava	60 - 61
Mega Duo	62 - 63
Mega Duo 6	64 - 65
Mega Duo Oval	66 - 67
Meisterstück Asymmetric Duo	10 - 11
Meisterstück Centro Duo 1 left	12 - 13
Meisterstück Centro Duo 1 right	14 - 15
Meisterstück Centro Duo 2	16 - 17
Meisterstück Centro Duo Oval	18 - 19
Meisterstück Conoduo	20 - 21
Meisterstück Conoduo 1 left	22 - 23
Meisterstück Conoduo 1 right	24 - 25
Meisterstück Conoduo 2	26 - 27

Meisterstück Emerso	28 - 29
Meisterstück Incava	30 - 31
Mini/Mini Star left + right	132 - 135
Novola/Novola Star	92 - 93
Novola Duo/Novola Duo Star	94 - 95
Novola Duo 6/Novola Duo 6 Star	96 - 97
Plaza Duo left + right	68 - 71
Punta Duo 3	72 - 73
Puro Built-in Washbasin	324 - 325
Puro Inset Countertop Washbasin	326 - 327
Puro Countertop Washbasin	328 - 329
Puro Undercounter Washbasin	330 - 331
Puro Handrinse Washbasin	332 - 333
Puro Wall-Hung Washbasin	334 - 335
Puro/Puro Star	98 - 105
Puro Duo	106 - 107
Rondo/Rondo Star	108 - 109
Rondo 6/Rondo 6 Star	110 - 111
Sanidusch	266 - 269
Saniform V1-V4/Saniform V1-V4 Star	142 - 143
Saniform Medium/Saniform Medium Star	136 - 137
Saniform Plus/Saniform Plus Star	138 - 141
Sanilux/Sanilux Star	144 - 145
Scona	256 - 265
Silenio	112 - 113
Silenio Countertop Washbasin	336 - 339
Silenio Undercounter Washbasin	340 - 341
Silenio Wall-Hung Washbasin	342 - 343
Studio/Studio Star left + right	74 - 77
Superplan	198 - 209
Superplan with low profile support	210 - 211
Superplan Plus	224 - 231
Superplan XXL	212 - 223
Twin Pool	78 - 79
Vaio Duo	118 - 119
Vaio Duo 3	120 - 121
Vaio/Vaio Star	114 - 115
Vaio 6/Vaio 6 Star	116 - 117
Vaio Duo Oval	126 - 127
Vaio Duo 6	122 - 123
Vaio Duo 8	124 - 125
Vaio Set/Vaio Set Star	128 - 129
Xetis	232 - 235
Zirkon	270 - 273

KALDEWEI SOLUTIONS BATHS MADE OF KALDEWEI STEEL ENAMEL

MEISTERSTÜCK

Page 10 - 31



Meisterstück Asymmetric Duo	10 - 11
Meisterstück Centro Duo Oval	18 - 19
Meisterstück Conoduo	20 - 21
Meisterstück Emerso	28 - 29
Meisterstück Incava	30 - 31
Meisterstück Centro Duo 1 left (corner installation left)	12 - 13
Meisterstück Centro Duo 1 right (corner installation right)	14 - 15
Meisterstück Centro Duo 2 (front wall installation)	16 - 17
Meisterstück Conoduo 1 left (corner installation left)	22 - 23
Meisterstück Conoduo 1 right (corner installation right)	24 - 25
Meisterstück Conoduo 2 (front wall installation)	26 - 27

BATHING

Page 32 - 145

◆◆◆	Asymmetric Duo	32 - 33
	Bassino	34 - 35
	Centro Duo	36 - 37
	Centro Duo 2	40 - 41
	Centro Duo 6	42 - 43
	Centro Duo Oval	44 - 47
	Centro Duo 1 right/left	38 - 39
	Conoduo	48 - 53
	Duo Pool	54 - 55
	Ellipso Duo	56 - 57
	Ellipso Duo Oval	58 - 59
	Incava	60 - 61
	Mega Duo	62 - 63
	Mega Duo 6	64 - 65
	Mega Duo Oval	66 - 67
	Plaza Duo left + right	68 - 71
	Punta Duo 3	72 - 73
	Studio left/Studio Star left	74 - 75
	Studio right/Studio Star right	76 - 77
	Twin Pool	78 - 79
◆◆◇	Classic Duo	80 - 83
	Classic Duo Oval	84 - 87
	Classic Duo Oval Wide	88 - 89
	Dyna Set/Dyna Set Star	90 - 91
	Novola/Novola Star	92 - 93
	Novola Duo/Novola Duo Star	94 - 95
	Novola Duo 6/Novola Duo 6 Star	96 - 97
	Puro/Puro Star	98 - 105
	Puro Duo	106 - 107
	Rondo/Rondo Star	108 - 109
	Rondo 6/Rondo 6 Star	110 - 111
	Silenio	112 - 113
	Vaio/Vaio Star	114 - 115
	Vaio 6/Vaio 6 Star	116 - 117
	Vaio Duo	118 - 119
	Vaio Duo 3	120 - 121
	Vaio Duo 6	122 - 123
	Vaio Duo 8	124 - 125
	Vaio Duo Oval	126 - 127
	Vaio Set/Vaio Set Star	128 - 129
◆◇◇	Cayono/Cayono Star	130 - 131
	Mini left/Mini Star left	132 - 133
	Mini right/Mini Star right	134 - 135
	Saniform Plus/Saniform Plus Star	138 - 141
	Saniform Medium/Saniform Medium Star	136 - 137
	Saniform V1-V4/Saniform V1-V4 Star	142 - 143
	Sanilux/Sanilux Star	144 - 145

KALDEWEI PROFESSIONAL

Page 151 - 167

INSTALLATION

Allround bath leg set 5030	151
Bath securing device	151
Bore holes	151

WATER INLET AND WASTE SYSTEMS

Comfort-Level/Comfort-Level Plus	148
Waterfall bath inlet with integrated overflow	147
Selection table for special waste and overflow fittings: baths	150
Waterfall bath	146

SHOWER TRAY ACCESSORIES

Shower hose 8880 retractable	152
Shower hose 8890 external	153

KALDEWEI COMFORT SELECT SYSTEM

Comfort Select electronic controls with operation panel	154 - 155
Comfort Select waste and overflow fittings without filling function	156
Comfort Select waste and overflow fittings with integrated filler	157
Comfort Select shower hose 4509 retractable	158
Comfort Select shower hose 4510 external	159

DESIGN GRIPS

Discreet opulence avantgarde collection	160
Discreet opulence ambiente collection	161
Elegant purism avantgarde collection	160
Elegant purism ambiente collection	161
Pool grip	162

KALDEWEI SILENCE PLUS

Bath sound insulating set BWS	163
Bath sound insulating set BWS Plus	163
Sound-absorbing pads	163
Bath sound-absorbing set BW-ADS	163
Connection sound insulation strip WAS 70	163

WATERPROOF

Sealing tape WDB 95	163
---------------------	-----

PANELLING SYSTEM

Bako panelling system for Saniform Plus	164 - 165
Bako Easy Fit panelling system	166 - 167

KALDEWEI PERFECTION

Page 168 - 170

SURFACES

Anti-slip	168
Full anti-slip	168
Easy-clean finish	169

COLOUR & STYLE

Coordinated colours collection	170
Sanitary colours	170
Decoration	169

KALDEWEI EXPERIENCE

Page 171 - 174

Sound Wave	171
Lighting set	172
Indirect lighting	172
Relax lounger	173
Multifunctional cushions	174
Bath cushion	174

KALDEWEI SPA

Page 175 - 183

Skin Touch	175 - 176
Overview features whirl systems	179
Special models and accessories	180
Multiverso panelling system	182 - 183

KALDEWEI SOLUTIONS SHOWER SURFACES AND SHOWER TRAYS MADE OF KALDEWEI STEEL ENAMEL

SHOWERING

Page 184 - 273

◆◆◆	Conoflat	184 -195
	Cornezza	196 -197
	Superplan	198 -209
	Superplan with low profile support	210 -211
	Superplan XXL	212 -223
	Superplan Plus	224 -231
	Xetis	232 -235
◆◆◇	Arrondo	238 -239
	Arrondo with apron	240 -241
	Duschplan	242 -249
	Duschplan XXL	252 -253
	Fontana	254 -255
	Scona	256 -265
◆◇◇	Sanidusch	266 -269
	Zirkon	270 -273

KALDEWEI PROFESSIONAL

Page 275 - 293

INSTALLATION

Total structural heights with siphon for floor-level installation	275
ESR II installation system	276 - 279
Shower tray foot frame FR 5300 / FR 5300 PLUS	280 - 281
XETIS Installation solution	282 - 283
Universal shower tray feet 5200	284
Central Support Systems MAS 5305 and 5350	284
Bath securing device	284

WASTE SYSTEMS

Waste fittings	285 - 288
Special waste fittings KA 120 Conoflat	290
Special waste fittings KA 125 Superplan Plus	290
Special waste fittings KA 200 Xetis	289
Special waste fittings ESR II	291

KALDEWEI SILENCE PLUS

Sound-absorbing pads	292
Shower tray sound-absorbing set DWS	292
Certified sound insulation solution	292

WATERPROOF

Sealing tape WDB 95	292
Shower tray sealing system WDS	293
Fleece-butyl tape ESR II	
Xetis sealing system XDS	292

KALDEWEI PERFECTION

Page 294 - 300

SURFACES

Anti-slip	294
Full anti-slip	294
KALDEWEI Secure Plus	296
Easy-clean finish	297

COLOUR & STYLE

Coordinated colours collection	298
Sanitary colours	298
Decoration	299
Coloured waste covers	300

GENERAL INFORMATION

KALDEWEI CARE

Page 301

Enamel set	301
Enamel pen	301
Enamel cleaning	301
Cleaning pen	301
Special enamel cleaning agent	301

MODEL OVERVIEW AND STRUCTURE OF THE 12-DIGIT ORDER NUMBER

Page 348 - 354

Structure of the 12-digit order number	353 - 354
Model overview	348 - 351

GENERAL TERMS AND CONDITIONS

Page 355

General Terms and Conditions	355
------------------------------------	-----

KEY



Meisterstücke



Bathing



Showering



Washbasins



Meisterstücke



Avantgarde



Ambiente



Advantage

KALDEWEI SOLUTIONS WASHBASINS

KALDEWEI STEEL ENAMEL

MEISTERSTÜCK

Page 302 - 303



Meisterstück Emerso
Washbasin Free-standing 302 - 303

WASHBASINS

Page 304 - 343

◆◆◆	Centro	
	Inset Countertop Washbasin	304 - 305
	Countertop Washbasin	306 - 307
	Undercounter Washbasin	308 - 309
	Wall-Hung Washbasin	310 - 311
	Emerso	
	Built-in Washbasin	322 - 323
	Cono	
	Built-in Washbasin	312 - 313
	Inset Countertop Washbasin	314 - 315
	Countertop Washbasin	316 - 317
	Undercounter Washbasin	318 - 319
	Wall-Hung Washbasin	320 - 321
◆◆◇	Puro	
	Built-in Washbasin	324 - 325
	Inset Countertop Washbasin	326 - 327
	Countertop Washbasin	328 - 329
	Undercounter Washbasin	330 - 331
	Handrinse Washbasin	332 - 333
	Wall-Hung Washbasin	334 - 335
	Silenio	
	Inset Countertop Washbasin	336 - 337
	Countertop Washbasin	338 - 339
	Undercounter Washbasin	340 - 341
	Wall-Hung Washbasin	342 - 343

KALDEWEI PROFESSIONAL

Page 344 - 347

INSTALLATION

CLOU waste and overflow system	344
Free-flow waste	346
Push-to-open waste	347
Designer bottle trap	347

KEY



Meisterstücke



Bathing



Showering



Washbasins



Meisterstücke



Avantgarde



Ambiente



Advantage

KALDEWEI



WASHBASIN CONO

KALDEWEI.COM

BATHS PROGRAMME

RECTANGULAR					
Dimension	Depth	Mod. No.	Model	Page	
140 x 70	41	360-1/330	SANIFORM PLUS/STAR	138-139	
150 x 70	41	361-1/331	SANIFORM PLUS/STAR	138-139	
160 x 70	41	747/753	CAYONO/STAR	130-131	
	41	748/754	CAYONO/STAR	130-131	
	43	103	CLASSIC DUO	80-81	
	43	626/627	DYNA SET/STAR	90-91	
	42	683, 684/ 685, 686	PURO/ STAR	98-103	
	41	362-1/332	SANIFORM PLUS/STAR	138-139	
	41	362-1/332	SANIFORM V1-V4/STAR	142-143	
170 x 70	43	956/957	VAIO SET/STAR	128-129	
	41	749/755	CAYONO/STAR	130-131	
	43	105	CLASSIC DUO	80-81	
	42	687, 688/ 689, 690	PURO/ STAR	98-103	
	31.5	245/246	SANIFORM MEDIUM/STAR	136-137	
	41	363-1/335	SANIFORM PLUS/STAR	138-139	
43	944/945	VAIO SET/STAR	128-129		
170 x 73	41	371-1/334	SANIFORM PLUS/STAR	138-139	
140 x 75	48	366/344	SANIFORM PLUS/STAR	140-141	
150 x 75	43	624/625	DYNA SET/STAR	90-91	
160 x 75	41	372-1/333	SANIFORM PLUS/STAR	138-139	
48	367/345	SANIFORM PLUS/STAR	140-141		

RECTANGULAR					
Dimension	Depth	Mod. No.	Model	Page	
170 x 75	41	750/756	CAYONO/STAR	130-131	
	47	132	CENTRO DUO	36-37	
	43	107	CLASSIC DUO	80-81	
	43	1732	MEISTERSTÜCK CONODUO	20-21	
	43	1702	MEISTERSTÜCK CONODUO 1 left	22-23	
	43	1712	MEISTERSTÜCK CONODUO 1 right	24-25	
	43	732	CONODUO	48-49	
	43	620/621	DYNA SET/STAR	90-91	
	41	172	INCAVA	60-61	
	44	252/253	NOVOLA/STAR	98-103	
	42	652, 656/ 654, 658	PURO/ STAR	98-103	
	42	663	PURO DUO	106-107	
	44	700/701	RONDO/STAR	108-109	
	41	373-1/336	SANIFORM PLUS/STAR	138-139	
	43	342/343	SANILUX/STAR	144-145	
	43	954/955	VAIO SET/STAR	128-129	
	175 x 75	43	374/338	SANIFORM/STAR	138-139
175 x 76	43, 5	1174	MEISTERSTÜCK INCAVA	30-31	
180 x 75	43	109	CLASSIC DUO	80-81	
170 x 80	42	1740	MEISTERSTÜCK ASYMMETRIC DUO	10-11	
	42	740	ASYMMETRIC DUO	32-33	
	42	691, 692/ 693, 694	PURO/ STAR	98-103	
43	960/961	VAIO/STAR	114-115		

RECTANGULAR					
Dimension	Depth	Mod. No.	Model	Page	
180 x 80	41	751/757	CAYONO/STAR	130-131	
	47	133	CENTRO DUO	36-37	
	43	110	CLASSIC DUO	80-81	
	43	1703	MEISTERSTÜCK CONODUO 1 left	22-23	
	43	1713	MEISTERSTÜCK CONODUO 1 right	24-25	
	43	733	CONODUO	48-49	
	43, 5	174	INCAVA	60-61	
	43	622/623	DYNA SET/STAR	90-91	
	41	1100	MEISTERSTÜCK EMERSO	28-29	
	44	256/257	NOVOLA DUO/STAR	94-95	
	42	653, 657/ 655, 659	PURO/ STAR	98-103	
	42	664	PURO DUO	106-107	
	44	710/711	RONDO/STAR	108-109	
	43	375-1/337	SANIFORM PLUS/STAR	138-139	
	43	950	VAIO DUO	118-119	
	43	946/947	VAIO SET/STAR	128-129	
	180 x 90	42	742	ASYMMETRIC DUO	32-33
190 x 90	45	180	MEGA DUO	62-63	
	43	114	CLASSIC DUO	80-81	
190 x 100	43	734	CONODUO	48-49	
	43, 5	176	INCAVA	60-61	
	42	696, 697/ 698, 699	PURO/ STAR	98-105	
	42	665	PURO DUO	106-107	
	42	744	ASYMMETRIC DUO	32-33	
	45	230	ELLIPSO DUO	56-57	
	35, 5	144	BASSINO	34-35	
200 x 100	43	735	CONODUO	48-49	

OVAL					
Dimension	Depth	Mod. No.	Model	Page	
160 x 70	43	112	CLASSIC DUO OVAL	84-85	
170 x 70	43	116	CLASSIC DUO OVAL	84-85	
170 x 75	47	1127	MEISTERSTÜCK CENTRO DUO OVAL	18-19	
	47	127	CENTRO DUO OVAL	44-45	
180 x 80	43	113	CLASSIC DUO OVAL	84-85	
	47	1128	MEISTERSTÜCK CENTRO DUO OVAL	18-19	
	47	128	CENTRO DUO OVAL	44-45	
	43	111	CLASSIC DUO OVAL	84-85	
	43	115	CLASSIC DUO OVAL WIDE	88-89	
43	951	VAIO DUO OVAL	126-127		
180 x 90	45	184	MEGA DUO OVAL	66-67	
190 x 100	45	232	ELLIPSO DUO OVAL	58-59	

HEXAGONAL					
Dimension	Depth	Mod. No.	Model	Page	
197 x 75	44	706/707	RONDO 6/STAR	110-111	
200 x 75	47	134	CENTRO DUO 6	42-43	
206 x 80	44	716/717	RONDO 6/STAR	110-111	
210 x 80	44	254/255	NOVOLA DUO 6/STAR	96-97	
	43	952	VAIO DUO 6	122-123	
190 x 90	43	958/959	VAIO 6/STAR	116-117	
214 x 90	45	182	MEGA DUO 6	64-65	
170 x 100	47	660	TWIN POOL	78-79	

SPECIAL FORMS						
Dimension	Depth	Mod. No.	Model	Page		
157 x 70/ 47, 5	43	834/835	MINI/STAR right	134-135		
	43	836/837	MINI/STAR left	132-133		
157 x 75/50	43	830/831	MINI/STAR right	134-135		
	43	832/833	MINI/STAR left	132-133		
170 x 75	47	131	CENTRO DUO 2	40-41		
	47	1131	MEISTERSTÜCK CENTRO DUO 2	16-17		
	47	129	CENTRO DUO 1 left	38-39		
	47	130	CENTRO DUO 1 right	38-39		
	47	1129	MEISTERSTÜCK CENTRO DUO 1 left	12-13		
	47	1130	MEISTERSTÜCK CENTRO DUO 1 right	14-15		
	180 x 80	47	135	CENTRO DUO 2	40-41	
		47	1135	MEISTERSTÜCK CENTRO DUO 2	16-17	
		47	136	CENTRO DUO 1 left	38-39	
		47	137	CENTRO DUO 1 right	38-39	
47		1136	MEISTERSTÜCK CENTRO DUO 1 left	12-13		
150 x 100	47	1137	MEISTERSTÜCK CENTRO DUO 1 right	14-15		
	50, 5	150	DUO POOL	54-55		

CORNER					
Dimension	Depth	Mod. No.	Model	Page	
170 x 90	43	826/827	STUDIO/STUDIO STAR right	76-77	
	43	828/829	STUDIO/STUDIO STAR left	74-75	
180 x 120 /80	43	190	PLAZA DUO right	70-71	
	43	192	PLAZA DUO left	68-69	
140 x 140	45	910	PUNTA DUO 3	72-73	
	43	962	VAIO DUO 3	120-121	

OCTAGONAL					
Dimension	Depth	Mod. No.	Model	Page	
180 x 80	43	953	VAIO DUO 8	124-125	

WASHBASINS PROGRAMME

BUILT-IN					
Dimension	Depth	Mod. No.	Model	Page	
460 x 460	14	3150	PURO Built-in Washbasin	324-325	
520 x 420	32	3021	EMERSO Built-in Washbasin	322-323	
600 x 460	14	3151	PURO Built-in Washbasin	324-325	
600 x 500	14	3080	CONO Built-in Washbasin	312-313	
720 x 420	32	3022	EMERSO Built-in Washbasin	322-323	
900 x 460	14	3152	PURO Built-in Washbasin	324-325	
900 x 500	14	3081	CONO Built-in Washbasin	312-313	
1200 x 500	14	3082	CONO Built-in Washbasin	312-313	

INSET COUNTERTOP 40 mm					
Dimension	Depth	Mod. No.	Model	Page	
460 x 460	40	3153	PURO Inset Countertop Washbasin	326-327	
	40	3154	PURO Inset Countertop Washbasin	326-327	
600 x 460	40	3040	SILENIO Inset Countertop Washbasin	336-337	
	40	3055	CENTRO Inset Countertop Washbasin	304-305	
600 x 500	40	3083	CONO Inset Countertop Washbasin	314-315	
	40	3155	PURO Inset Countertop Washbasin	326-327	
900 x 460	40	3041	SILENIO Inset Countertop Washbasin	336-337	
	40	3056	CENTRO Inset Countertop Washbasin	304-305	
900 x 500	40	3084	CONO Inset Countertop Washbasin	314-315	

COUNTERTOP 120 mm					
Dimension	Depth	Mod. No.	Model	Page	
460 x 460	120	3156	PURO Countertop Washbasin	328-329	
	120	3157	PURO Countertop Washbasin	328-329	
600 x 460	120	3042	SILENIO Countertop Washbasin	338-339	
	120	3057	CENTRO Countertop Washbasin	306-307	
600 x 500	120	3085	CONO Countertop Washbasin	316-317	
	120	3158	PURO Countertop Washbasin	328-329	
900 x 460	120	3043	SILENIO Countertop Washbasin	338-339	
	120	3058	CENTRO Countertop Washbasin	306-307	
900 x 500	120	3086	CONO Countertop Washbasin	316-317	

UNDERCOUNTER					
Dimension	Depth	Mod. No.	Model	Page	
460 x 385		3159	PURO Undercounter Washbasin	330-331	
569 x 382		3087	CONO Undercounter Washbasin	318-319	
600 x 370		3059	CENTRO Undercounter Washbasin	308-309	
600 x 385		3160	PURO Undercounter Washbasin	330-331	
634 x 391		3047	SILENIO Undercounter Washbasin	340-341	
869 x 382		3088	CONO Undercounter Washbasin	318-319	
900 x 370		3060	CENTRO Undercounter Washbasin	308-309	
900 x 385		3161	PURO Undercounter Washbasin	330-331	
934 x 391		3048	SILENIO Undercounter Washbasin	340-341	

WALL-HUNG					
Dimension	Depth	Mod. No.	Model	Page	
460 x 460	120	3163	PURO Wall-Hung Washbasin	334-335	
550 x 300	100	3162	PURO Handrinse Washbasin	332-333	
	120	3164	PURO Wall-Hung Washbasin	334-335	
600 x 460	120	3044	SILENIO Wall-Hung Washbasin	342-343	
	120	3061	CENTRO Wall-Hung Washbasin	310-311	
600 x 500	120	3089	CONO Wall-Hung Washbasin	320-321	
	120	3165	PURO Wall-Hung Washbasin	334-335	
900 x 460	120	3045	SILENIO Wall-Hung Washbasin	342-343	
	120	3062	CENTRO Wall-Hung Washbasin	310-311	
900 x 500	120	3090	CONO Wall-Hung Washbasin	342-343	
	120	3046	SILENIO Wall-Hung Washbasin	342-343	
1200 x 460	120	3091	CONO Wall-Hung Washbasin	320-321	

SPECIAL FORMS					
Dimension	Depth	Mod. No.	Model	Page	
520 x 420	90	3020	MEISTERSTÜCK EMERSO Washbasin Free-standing	302-303	

SHOWER TRAY PROGRAMME AND ENAMELLED SHOWER SURFACES

SQUARE				
Dimension	Depth	Mod. No.	Model	Page
70 x 75	14	540	SANIDUSCH	266-267
	6,5	554	DUSCHPLAN	242-243
	14	548	SANIDUSCH	266-267
	25	558	SANIDUSCH	268-269
80 x 80	908	398	SUPERPLAN	198-199
	2,5	385	CONOFLAT	184-185
	852	542	DUSCHPLAN	242-243
	6,5	542	DUSCHPLAN	242-243
	14	395	SANIDUSCH	266-267
	25	495	SANIDUSCH	268-269
	911	511	SCONA	256-257
	2,5	386	SUPERPLAN	198-199
	2,5	386-5	SUPERPLAN with low profile support	210-211
	2,5	477	SUPERPLAN PLUS	224-225
70 x 85	14	541	SANIDUSCH	266-267
	6,5	547	DUSCHPLAN	242-243
	14	539	SANIDUSCH	266-267
	940	SCONA	256-257	
75 x 90	2,5	400	SUPERPLAN	198-199
	853	CONOFLAT	184-185	
	6,5	543	DUSCHPLAN	242-243
	14	549	SANIDUSCH	266-267
80 x 90	25	559	SANIDUSCH	268-269
	912	SCONA	256-257	
	2,5	387	SUPERPLAN	200-201
	780	CONOFLAT	184-185	
	6,5	544	DUSCHPLAN	242-243
	14	551	SANIDUSCH	266-267
	941	SCONA	256-257	
	2,5	388	SUPERPLAN	200-201
	783	CONOFLAT	184-185	
	6,5	545	DUSCHPLAN	242-243
90 x 90	14	396	SANIDUSCH	266-267
	25	496	SANIDUSCH	268-269
	913	SCONA	256-257	
	2,5	390	SUPERPLAN	200-201
	2,5	390-5	SUPERPLAN with low profile support	210-211
	2,5	475	SUPERPLAN PLUS	224-225
	885	XETIS	232-233	
	6,5	416	DUSCHPLAN	242-243
	942	SCONA	256-257	
	2,5	402	SUPERPLAN	202-203
2,5	476	SUPERPLAN PLUS	224-225	

SQUARE				
Dimension	Depth	Mod. No.	Model	Page
80 x 100	781	CONOFLAT	184-185	
	6,5	546	DUSCHPLAN	242-243
	914	SCONA	256-257	
	14	550	SANIDUSCH	266-267
	2,5	398	SUPERPLAN	202-203
	2,5	398-5	SUPERPLAN with low profile support	210-211
	2,5	477	SUPERPLAN PLUS	224-225
	784	CONOFLAT	186-187	
	6,5	418	DUSCHPLAN	242-243
	915	SCONA	256-257	
90 x 100	2,5	404	SUPERPLAN	202-203
	2,5	404-5	SUPERPLAN with low profile support	210-211
	2,5	478	SUPERPLAN PLUS	224-225
	786	CONOFLAT	186-187	
	6,5	392	DUSCHPLAN	248-249
	916	SCONA	258-259	
	14	397	SANIDUSCH	266-267
	2,5	391	SUPERPLAN	204-205
	2,5	391-5	SUPERPLAN with low profile support	210-211
	2,5	479	SUPERPLAN PLUS	224-225
100 x 100	886	XETIS	232-233	
	787	CONOFLAT	186-187	
	943	SCONA	258-259	
	788	CONOFLAT	186-187	
	6,5	419	DUSCHPLAN	248-249
	963	SCONA	258-259	
	2,5	405	SUPERPLAN	204-205
	2,5	480	SUPERPLAN PLUS	224-225
	854	CONOFLAT	186-187	
	964	SCONA	258-259	
70 x 120	6,5	415	DUSCHPLAN	248-249
	965	SCONA	258-259	
	2,5	401	SUPERPLAN	204-205
	2,5	481	SUPERPLAN PLUS	224-225
	6,5	417	DUSCHPLAN	248-249
	966	SCONA	258-259	
	2,5	403	SUPERPLAN	206-207
	2,5	482	SUPERPLAN PLUS	224-225
	782	CONOFLAT	188-189	
	6,5	555	DUSCHPLAN	248-249
80 x 120	917	SCONA	258-259	
	14	552	SANIDUSCH	266-267
	2,5	389	SUPERPLAN	206-207
	2,5	389-5	SUPERPLAN with low profile support	210-211
	2,5	483	SUPERPLAN PLUS	224-225
	887	XETIS	232-233	

SQUARE				
Dimension	Depth	Mod. No.	Model	Page
90 x 120	785	CONOFLAT	188-189	
	6,5	420	DUSCHPLAN	248-249
	918	SCONA	258-259	
	2,5	406	SUPERPLAN	206-207
	2,5	406-5	SUPERPLAN with low profile support	210-211
	2,5	484	SUPERPLAN PLUS	230-231
	888	XETIS	232-233	
	789	CONOFLAT	188-189	
	6,5	421	DUSCHPLAN	248-249
	967	SCONA	258-259	
100 x 120	2,5	407	SUPERPLAN	208-209
	2,5	485	SUPERPLAN PLUS	230-231
	889	XETIS	232-233	
	790	CONOFLAT	188-189	
	6,5	422	DUSCHPLAN	248-249
	968	SCONA	260-261	
	2,5	399	SUPERPLAN	208-209
	2,5	486	SUPERPLAN PLUS	230-231
	890	XETIS	232-233	
	791	CONOFLAT	188-189	
80 x 130	969	SCONA	260-261	
	792	CONOFLAT	190-191	
	970	SCONA	260-261	
	2,5	438	SUPERPLAN XXL	212-213
	793	CONOFLAT	190-191	
	972	SCONA	260-261	
	6,5	423	DUSCHPLAN XXL	252-253
	974	SCONA	260-261	
	3,9	408	SUPERPLAN XXL	212-213
	6,5	425	DUSCHPLAN XXL	252-253
75 x 140	975	SCONA	260-261	
	4,0	410	SUPERPLAN XXL	212-213
	794	CONOFLAT	190-191	
	976	SCONA	260-261	
	4,0	446	SUPERPLAN XXL	212-213
	891	XETIS	234-235	
	795	CONOFLAT	190-191	
	919	SCONA	260-261	
	4,3	429	SUPERPLAN XXL	212-213
	892	XETIS	234-235	
90 x 140	796	CONOFLAT	190-191	
	6,5	427	DUSCHPLAN XXL	252-253
	977	SCONA	260-261	
	4,3	412	SUPERPLAN XXL	214-215
	893	XETIS	234-235	
	978	SCONA	262-263	
	3,9	433	SUPERPLAN XXL	214-215
	979	SCONA	262-263	
	4,0	435	SUPERPLAN XXL	214-215

SQUARE				
Dimension	Depth	Mod. No.	Model	Page
80 x 150	855	CONOFLAT	190-191	
	982	SCONA	262-263	
	4,0	447	SUPERPLAN XXL	214-215
90 x 150	856	CONOFLAT	192-193	
	983	SCONA	262-263	
	4,3	439	SUPERPLAN XXL	216-217
100 x 150	857	CONOFLAT	192-193	
	984	SCONA	262-263	
	4,3	442	SUPERPLAN XXL	216-217
150 x 150	5,2	494	SUPERPLAN PLUS	230-231
	985	SCONA	262-263	
	3,9	431	SUPERPLAN XXL	216-217
75 x 160	858	CONOFLAT	192-193	
	986	SCONA	262-263	
	4,0	436	SUPERPLAN XXL	218-219
80 x 160	859	CONOFLAT	192-193	
	987	SCONA	262-263	
	4,3	439	SUPERPLAN XXL	216-217
90 x 160	860	CONOFLAT	192-193	
	988	SCONA	262-263	
	4,3	440	SUPERPLAN XXL	218-219
100 x 160	861	CONOFLAT	192-193	
	989	SCONA	264-265	
	4,3	443	SUPERPLAN XXL	218-219
70 x 170	6,5	424	DUSCHPLAN XXL	252-253
	991	SCONA	264-265	
	4,7	409	SUPERPLAN XXL	220-221
75 x 170	862	CONOFLAT	194-195	
	6,5	426	DUSCHPLAN XXL	252-253
	993	SCONA	264-265	
90 x 170	4,7	411	SUPERPLAN XXL	220-221
	863	CONOFLAT	194-195	
	994	SCONA	264-265	
100 x 170	5,1	430	SUPERPLAN XXL	220-221
	894	XETIS	234-235	
	864	CONOFLAT	194-195	
80 x 180	995	SCONA	264-265	
	5,1	444	SUPERPLAN XXL	220-221
	895	XETIS	234-235	
90 x 180	865	CONOFLAT	194-195	
	996	SCONA	264-265	
	4,7	437	SUPERPLAN XXL	222-223
90 x 180	866	CONOFLAT	194-195	
	997	SCONA	264-265	
	5,1	441	SUPERPLAN XXL	222-223
100 x 180	896	XETIS	234-235	
	867	CONOFLAT	194-195	
	998	SCONA	264-265	
5,1	445	SUPERPLAN XXL	222-223	
897	XETIS	234-235		

QUARTER-CIRCULAR				
Dimension	Depth	Mod. No.	Model	Page
90 x 75	3,5	501	ZIRKON	270-271
	2,5	594	FONTANA	254-255
	6,5	583	FONTANA	254-255
	13	584	FONTANA	254-255
80 x 80	3,5	600	ZIRKON	270-271
	6,5	511	ZIRKON	272-273
	14	512	ZIRKON	272-273
	3,5	603	ZIRKON	270-271
90 x 80	3,5	605	ZIRKON	270-271
	3,5	502	ZIRKON	270-271

QUARTER-CIRCULAR				
Dimension	Depth	Mod. No.	Model	Page
80 x 90	3,5	601	ZIRKON	270-271
	2,5	870	ARRONDO	238-239
	6,5	871	ARRONDO	238-239
	6,5	880	ARRONDO with apron	240-241
90 x 90	2,5	564	FONTANA	254-255
	6,5	586	FONTANA	254-255
	13	585	FONTANA	254-255
	3,5	604	ZIRKON	270-271
	6,5	513	ZIRKON	272-273
	14	514	ZIRKON	272-273

QUARTER-CIRCULAR				
Dimension	Depth	Mod. No.	Model	Page
80 x 100	3,5	602	ZIRKON	270-271
	2,5	872	ARRONDO	238-239
	6,5	873	ARRONDO	238-239
	6,5	881	ARRONDO with apron	240-241
100 x 100	2,5	565	FONTANA	254-255
	6,5	587	FONTANA	254-255
	13	589	FONTANA	254-255
	3,5	606	ZIRKON	270-271
	6,5	510	ZIRKON	272-273

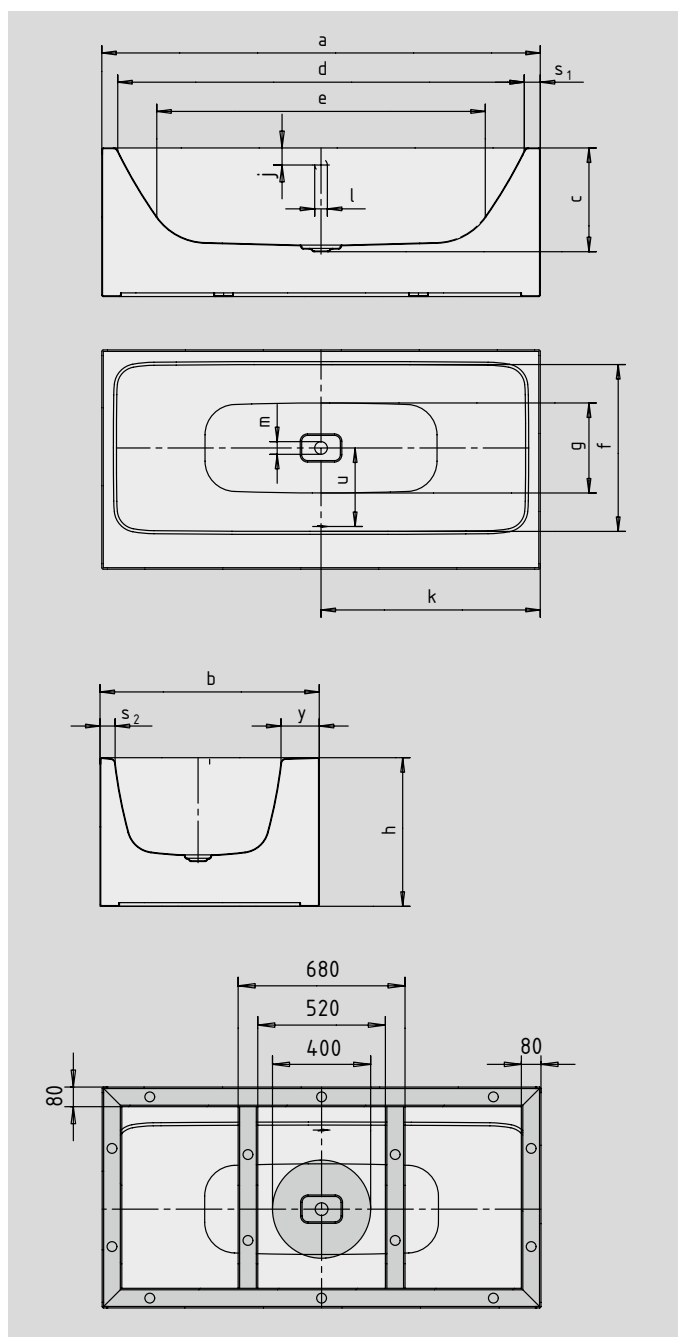
PENTAGONAL				
Dimension	Depth	Mod. No.	Model	Page
90 x 90	2,5	670	CORNEZZA	196-197
	6,5	671	CORNEZZA	196-197
100 x 100	2,5	672	CORNEZZA	196-197
	6,5	673	CORNEZZA	196-197

MEISTERSTÜCK ASYMMETRIC DUO

- freestanding bath made of superior steel enamel
- with exclusive easy-clean finish
- exciting contrast between the clear lines of the bath rim and the flowing, ergonomic design language of the interior
- generously sized storage area that can also be used as a sit or to accommodate bath rim tap fittings
- enamelled waste cover and overflow knob integrated in the bath design
- bathing with a friend: two identical back rests and centrally positioned waste
- made of KALDEWEI steel enamel



Similar illustration



Model No.		1740	1742
External length	a	1700	1800 mm
External width	b	800	900 mm
Depth	c	425	425 mm
Internal length (top)	d	1570	1670 mm
Internal length (bottom)	e	1246	1348 mm
Internal width (top)	f	616	681 mm
Internal width (bottom)	g	500	600 mm
Height of bath	h	610	610 mm
Distance top edge to centre of overflow hole	j	70	70 mm
Distance bath edge to centre of drain hole	k	850	900 mm
Diameter of overflow hole	l	52	52 mm
Diameter of drain hole	m	52	52 mm
Width of rim (foot end; lengthwise)	s ₁ ; s ₂	65; 62	65; 62 mm
Distance between centre holes	u	300	335 mm
Shelf (width)	y ₃	122	157 mm
Water volume** in litres		123	163
Weight of the enamelled bath in kg		141	153
Waste connection diameter		40/50	40/50 mm
Fill fitting connection		1/2"	1/2"

Subject to technical alterations, tolerances and errors. Similar illustration. Similar illustration.
** 70 litres displacement on average.

KALDEWEI

	Model Order No.	Dimensions cm	Colour price groups	EUR I (alpine white)
MEISTERSTÜCK ASYMMETRIC DUO with easy-clean finish pre-assembled in factory with special waste and overflow fitting KA4060 with enamelled waste cover and enamelled overflow knob	1740 2003 4060 3001 1742 2004 4060 3001	170 x 80 x 42 180 x 90 x 42		
MEISTERSTÜCK ASYMMETRIC DUO with easy-clean finish pre-assembled in factory with special waste and overflow fitting with integrated filling function KA4061 with enamelled waste cover and overflow knob. The KA4061 fitting requires a non return valve. This is not included.	1740 2003 4061 3001 1742 2004 4061 3001	170 x 80 x 42 180 x 90 x 42		
MEISTERSTÜCK ASYMMETRIC DUO with easy-clean finish with opposite overflow pre-assembled in factory with special waste and overflow fitting KA4060 with enamelled waste cover and enamelled overflow knob	1740 2003 4208 3001 1742 2004 4208 3001	170 x 80 x 42 180 x 90 x 42		
MEISTERSTÜCK ASYMMETRIC DUO with easy-clean finish with opposite overflow pre-assembled in factory with special waste and overflow fitting with integrated filling function KA4061 with enamelled waste cover and overflow knob. The KA4061 fitting requires a non return valve. This is not included.	1740 2003 4227 3001 1742 2004 4227 3001	170 x 80 x 42 180 x 90 x 42		
OPTIONAL ACCESSORIES				
MEISTERSTÜCK ASYMMETRIC DUO for COMFORT SELECT				
MEISTERSTÜCK ASYMMETRIC DUO for COMFORT SELECT incl. standard fitting with enamelled waste cover and enamelled overflow knob 4505	1740 1742			
MEISTERSTÜCK ASYMMETRIC DUO for COMFORT SELECT incl. fitting with integrated filling function with enamelled waste cover and enamelled overflow knob 4506	1740 1742			
COMFORT SELECT electronic controls with operating panel, chrome, accessories required	4511 6897 2011 0999			
COMFORT SELECT shower hose 4510² optional accessories	4510 6897 2012 0999			
SOUND WAVE optional accessories	6800 5845 7600 0000			
MEISTERSTÜCK and whirl system with easy-clean finish Pre-assembled in factory. Parts supplied: bath, whirl technology (visible parts in chrome), waste and overflow fittings. The whirl system order form is available at www.kaldewei.com				
VIVO VITA 10 floor jets	1740 1742	170 x 80 x 42 180 x 90 x 42		

Note: Shower head not included.²

MEISTERSTÜCK

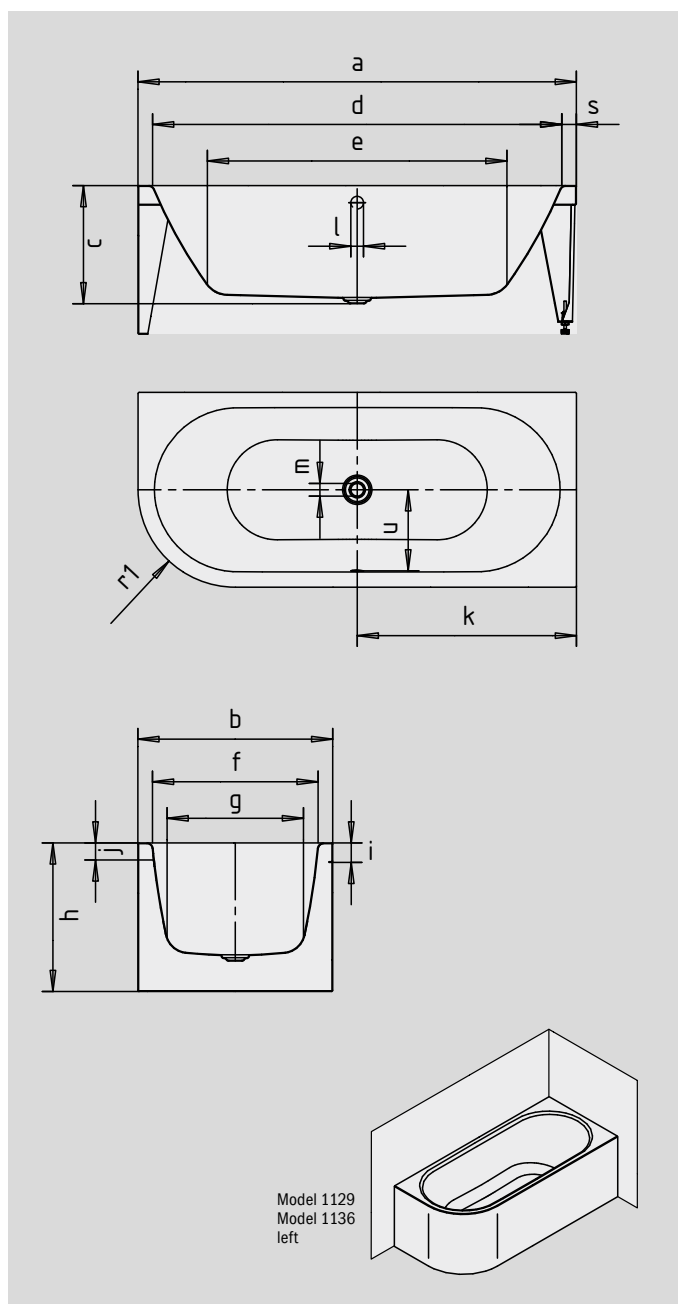
CENTRO DUO 1 LEFT

CORNER INSTALLATION LEFT (2-SIDED)

- bath made of high-quality steel enamel with enamelled panelling on two sides
- specially designed for corner installation
- available in left-hand and right-hand version
- enamel surface with exclusive easy-clean finish
- purism and simple elegance are defining features of this bath
- enamelled waste cover and overflow knob integrated in the bath design (also available with filling function)
- made of KALDEWEI steel enamel



Similar illustrations



Model No.		1129	1136
External length	a	1700	1800 mm
External width	b	750	800 mm
Depth	c	485	485 mm
Internal length (top)	d	1580	1680 mm
Internal length (bottom)	e	1130	1230 mm
Internal width (top)	f	630	680 mm
Internal width (bottom)	g	510	560 mm
Height of bath	h	610	610 mm
Height of rim	i	80	80 mm
Distance top edge to centre of overflow hole	j	70	70 mm
Distance bath edge to centre of drain hole	k	850	900 mm
Diameter of overflow hole	l	52	52 mm
Diameter of drain hole	m	52	52 mm
Radius	r ₁	375	400 mm
Width of rim (foot end; lengthwise)	s	60	60 mm
Distance between centre holes	u	307	332 mm
Water volume** in litres		156	195
Weight of the enamelled bath in kg		99	108
Waste connection diameter		40/50	40/50 mm
Fill fitting connection		1/2"	1/2"

Subject to technical alterations, tolerances and errors. Similar illustrations.
 ** 70 litres displacement on average.

KALDEWEI

	Model Order No.	Dimensions cm	Colour price groups	EUR I (alpine white)
MEISTERSTÜCK CENTRO DUO 1 left with easy-clean finish with special waste fitting KA 4040 with enamelled waste cover and enamelled overflow knob	1129 2020 4040 3001	170 x 75 x 47		
MEISTERSTÜCK CENTRO DUO 1 left with easy-clean finish with special waste fitting KA 4040 with enamelled waste cover and enamelled overflow knob	1136 2009 4040 3001	180 x 80 x 47		
MEISTERSTÜCK CENTRO DUO 1 left with easy-clean finish with special waste fitting KA 4041 with filling function with enamelled waste cover and overflow knob. The KA 4041 fitting requires a non return valve. This is not included.	1129 2020 4041 3001	170 x 75 x 47		
MEISTERSTÜCK CENTRO DUO 1 left with easy-clean finish with special waste fitting KA 4041 with filling function with enamelled waste cover and overflow knob. The KA 4041 fitting requires a non return valve. This is not included.	1136 2009 4041 3001	180 x 80 x 47		
OPTIONAL ACCESSORIES				
MEISTERSTÜCK CENTRO DUO 1 left for COMFORT SELECT				
MEISTERSTÜCK CENTRO DUO 1 left for COMFORT SELECT incl. standard fitting with enamelled waste cover and enamelled overflow knob 4503	1129 1136			
MEISTERSTÜCK CENTRO DUO 1 left for COMFORT SELECT incl. fitting with integrated filling function with enamelled waste cover and enamelled overflow knob 4504	1129 1136			
COMFORT SELECT TYPE A electronic controls with operating panel, chrome	4500 6897 2008 0999			
COMFORT SELECT shower hose 4509 optional accessories	4509 ¹ 6897 2010 0999			
SOUND WAVE optional accessories	6800 5845 7600 0000			
¹ Shower head not included.				

MEISTERSTÜCK

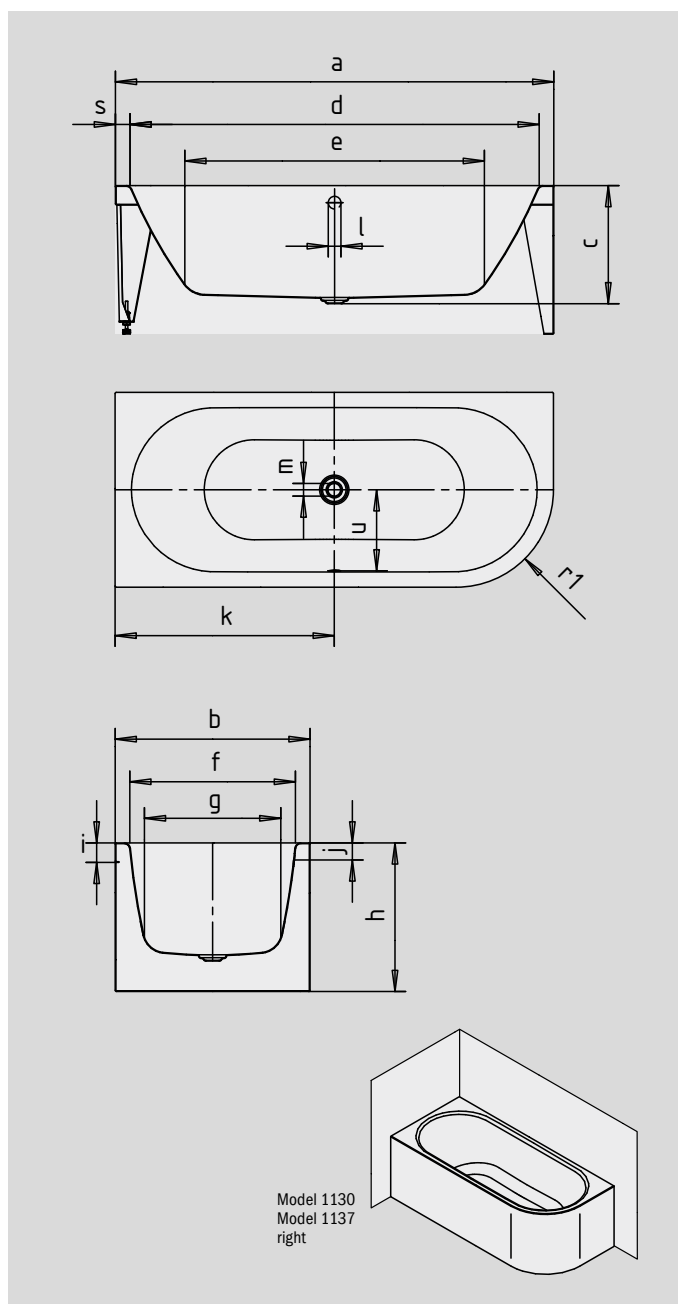
CENTRO DUO 1 RIGHT

CORNER INSTALLATION RIGHT (2-SIDED)

- bath made of high-quality steel enamel with enamelled panelling on two sides
- specially designed for corner installation
- available in left-hand and right-hand version
- enamel surface with exclusive easy-clean finish
- purism and simple elegance are defining features of this bath
- enamelled waste cover and overflow knob integrated in the bath design (also available with filling function)
- made of KALDEWEI steel enamel



Similar illustrations



Model No.		1130	1137
External length	a	1700	1800 mm
External width	b	750	800 mm
Depth	c	485	485 mm
Internal length (top)	d	1580	1680 mm
Internal length (bottom)	e	1130	1230 mm
Internal width (top)	f	630	680 mm
Internal width (bottom)	g	510	560 mm
Height of bath	h	610	610 mm
Height of rim	i	80	80 mm
Distance top edge to centre of overflow hole	j	70	70 mm
Distance bath edge to centre of drain hole	k	850	900 mm
Diameter of overflow hole	l	52	52 mm
Diameter of drain hole	m	52	52 mm
Radius	r ₁	375	400 mm
Width of rim (foot end; lengthwise)	s	60	60 mm
Distance between centre holes	u	307	332 mm
Water volume** in litres		156	195
Weight of the enamelled bath in kg		99	108
Waste connection diameter		40/50	40/50 mm
Fill fitting connection		1/2"	1/2"

Subject to technical alterations, tolerances and errors. Similar illustrations.
 ** 70 litres displacement on average.

KALDEWEI

	Model Order No.	Dimensions cm	Colour price groups	EUR I (alpine white)
MEISTERSTÜCK CENTRO DUO 1 right with easy-clean finish with special waste fitting KA 4040 with enamelled waste cover and enamelled overflow knob	1130 2021 4040 3001	170 x 75 x 47		
MEISTERSTÜCK CENTRO DUO 1 right with easy-clean finish with special waste fitting KA 4040 with enamelled waste cover and enamelled overflow knob	1137 2010 4040 3001	180 x 80 x 47		
MEISTERSTÜCK CENTRO DUO 1 right with easy-clean finish with special waste fitting KA 4041 with filling function with enamelled waste cover and overflow knob. The KA 4041 fitting requires a non return valve. This is not included.	1130 2021 4041 3001	170 x 75 x 47		
MEISTERSTÜCK CENTRO DUO 1 right with easy-clean finish with special waste fitting KA 4041 with filling function with enamelled waste cover and overflow knob. The KA 4041 fitting requires a non return valve. This is not included.	1137 2010 4041 3001	180 x 80 x 47		
OPTIONAL ACCESSORIES				
MEISTERSTÜCK CENTRO DUO 1 right for COMFORT SELECT				
MEISTERSTÜCK CENTRO DUO 1 right for COMFORT SELECT incl. standard fitting with enamelled waste cover and enamelled overflow knob 4503	1130 1137			
MEISTERSTÜCK CENTRO DUO 1 right for COMFORT SELECT incl. fitting with integrated filling function with enamelled waste cover and enamelled overflow knob 4504	1130 1137			
COMFORT SELECT TYPE A electronic controls with operating panel, chrome	4500 6897 2008 0999			
COMFORT SELECT shower hose 4509 optional accessories	4509 ¹ 6897 2010 0999			
SOUND WAVE optional accessories	6800 5845 7600 0000			
Note: ¹Shower head not included.				

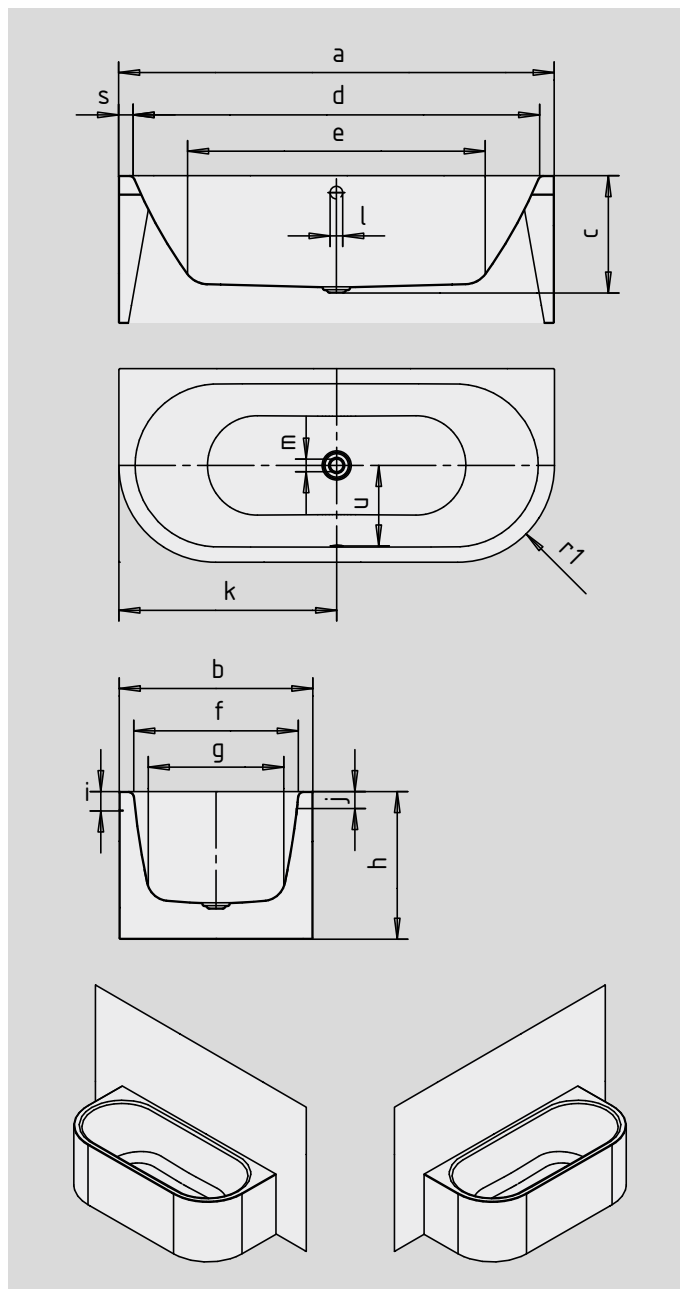
MEISTERSTÜCK CENTRO DUO 2

FRONT WALL INSTALLATION (3-SIDED)

- bath made of high-quality steel enamel with enamelled panelling on three sides
- enamel surface with exclusive easy-clean finish
- purism and simple elegance are defining features of this bath
- enamelled waste cover and overflow knob integrated in the bath design (also available with filling function)
- made of KALDEWEI steel enamel



Similar illustrations



Model No.		1131	1135
External length	a	1700	1800 mm
External width	b	750	800 mm
Depth	c	485	485 mm
Internal length (top)	d	1580	1680 mm
Internal length (bottom)	e	1130	1230 mm
Internal width (top)	f	630	680 mm
Internal width (bottom)	g	510	560 mm
Height of bath	h	610	610 mm
Height of rim	i	80	80 mm
Distance top edge to centre of overflow hole	j	70	70 mm
Distance bath edge to centre of drain hole	k	850	900 mm
Diameter of overflow hole	l	52	52 mm
Diameter of drain hole	m	52	52 mm
Radius	r ₁	375	400 mm
Width of rim (foot end; lengthwise)	s	60	60 mm
Distance between centre holes	u	307	332 mm
Water volume** in litres		156	195
Weight of the enamelled bath in kg		106	114
Waste connection diameter		40/50	40/50 mm
Fill fitting connection		1/2"	1/2"

Subject to technical alterations, tolerances and errors. Similar illustrations.
** 70 litres displacement on average.

KALDEWEI

	Model Order No.	Dimensions cm	Colour price groups	EUR I (alpine white)
MEISTERSTÜCK CENTRO DUO 2 with easy-clean finish with special waste fitting KA 4040 with enamelled waste cover and enamelled overflow knob	1131 ¹ 2022 4040 3001	170 x 75 x 47		
MEISTERSTÜCK CENTRO DUO 2 with easy-clean finish with special waste fitting KA 4040 with enamelled waste cover and enamelled overflow knob	1135 ¹ 2023 4040 3001	180 x 80 x 47		
MEISTERSTÜCK CENTRO DUO 2 with easy-clean finish with special waste fitting KA 4041 with filling function with enamelled waste cover and overflow knob. The KA 4041 fitting requires a non return valve. This is not included.	1131 ¹ 2022 4041 3001	170 x 75 x 47		
MEISTERSTÜCK CENTRO DUO 2 with easy-clean finish with special waste fitting KA 4041 with filling function with enamelled waste cover and overflow knob. The KA 4041 fitting requires a non return valve. This is not included.	1135 ¹ 2023 4041 3001	180 x 80 x 47		
OPTIONAL ACCESSORIES				
MEISTERSTÜCK CENTRO DUO 2 for COMFORT SELECT				
MEISTERSTÜCK CENTRO DUO 2 for COMFORT SELECT incl. standard fitting with enamelled waste cover and enamelled overflow knob 4503	1131 1135			
MEISTERSTÜCK CENTRO DUO 2 for COMFORT SELECT incl. fitting with integrated filling function with enamelled waste cover and enamelled overflow knob 4504	1131 1135			
COMFORT SELECT TYPE A electronic controls with operating panel, chrome	4500 6897 2008 0999			
COMFORT SELECT shower hose 4509 optional accessories	4509 ² 6897 2010 0999			
SOUND WAVE optional accessories	6800 5845 7600 0000			

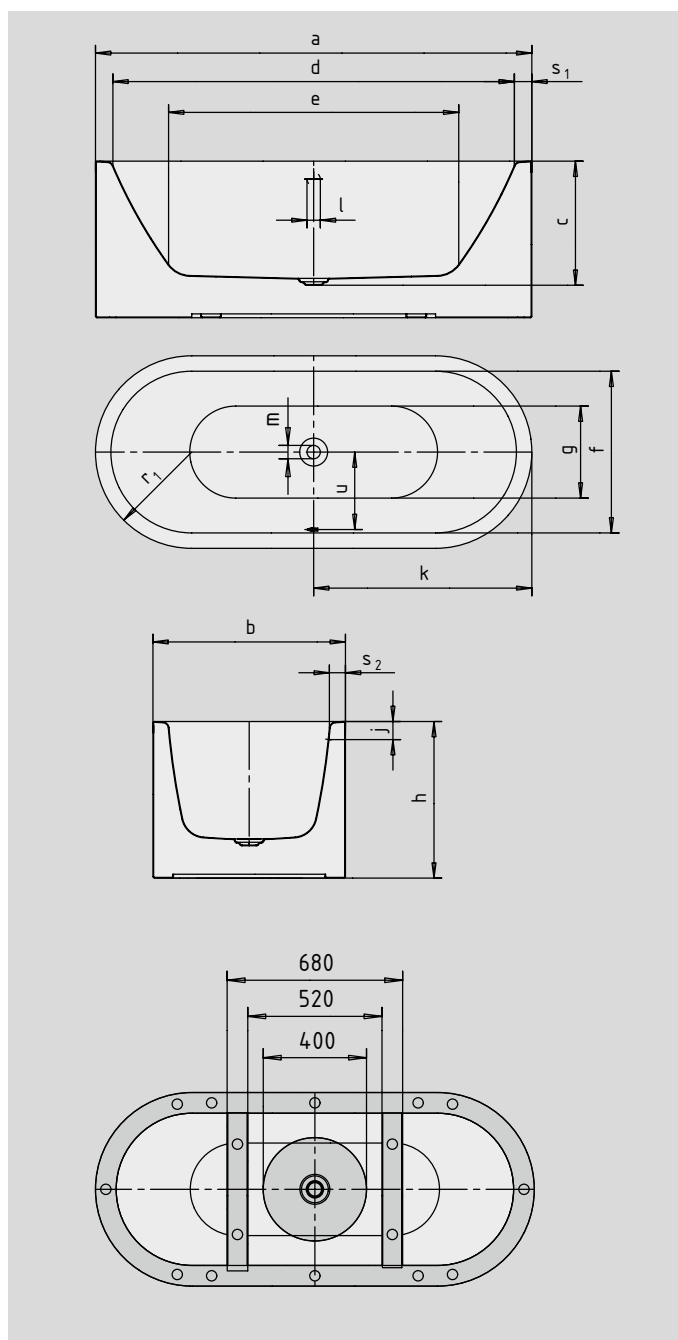
¹ Available from January 2016. Note: ² Shower head not included.

MEISTERSTÜCK CENTRO DUO OVAL

- pure simplicity and unpretentious elegance are what distinguish these baths
- bathing with a friend: two identical back rests and centrally positioned waste
- made of KALDEWEI steel enamel
- the moulded panel emphasizes the high design standard and means the bath can be free-standing
- enamelled waste cover and overflow knob integrated in the bath design



Similar illustration



Model No.		1127	1128
External length	a	1700	1800 mm
External width	b	750	800 mm
Depth	c	485	485 mm
Internal length (top)	d	1580	1680 mm
Internal length (bottom)	e	1130	1230 mm
Internal width (top)	f	630	680 mm
Internal width (bottom)	g	510	560 mm
Height of bath	h	610	610 mm
Distance top edge to centre of overflow hole	j	70	70 mm
Distance bath edge to centre of drain hole	k	850	900 mm
Diameter of overflow hole	l	52	52 mm
Diameter of drain hole	m	52	52 mm
Radius	r ₁	375	400 mm
Width of rim (foot end; lengthwise)	s ₁ ; s ₂	60; 60	60; 60 mm
Distance between centre holes	u	307	332 mm
Water volume** in litres		156	195
Weight of the enamelled bath in kg		120	136
Waste connection diameter		40/50	40/50 mm
Fill fitting connection		1/2"	1/2"

Subject to technical alterations, tolerances and errors. Similar illustration.
** 70 litres displacement on average.

KALDEWEI

	Model Order No.	Dimensions cm	Colour price groups				EUR I (alpine white)
MEISTERSTÜCK CENTRO DUO OVAL with easy-clean finish pre-assembled in factory with special waste and overflow fitting KA4040 with enamelled waste cover and enamelled overflow knob	1127 2001 4040 3001 1128 2002 4040 3001	170 x 75 x 47 180 x 80 x 47					
MEISTERSTÜCK CENTRO DUO OVAL with easy-clean finish pre-assembled in factory with special waste and overflow fitting with integrated filling function KA4041 with enamelled waste cover and overflow knob. The KA4041 fitting requires a non return valve. This is not included.	1127 2001 4041 3001 1128 2002 4041 3001	170 x 75 x 47 180 x 80 x 47					
OPTIONAL ACCESSORIES							
MEISTERSTÜCK CENTRO DUO OVAL for COMFORT SELECT							
MEISTERSTÜCK CENTRO DUO OVAL for COMFORT SELECT incl. standard fitting with enamelled waste cover and enamelled overflow knob 4503	1127 1128						
MEISTERSTÜCK CENTRO DUO OVAL for COMFORT SELECT incl. fitting with integrated filling function with enamelled waste cover and enamelled overflow knob 4504	1127 1128						
COMFORT SELECT electronic controls with operating panel, chrome, accessories required	4511 6897 2011 0999						
COMFORT SELECT shower hose 4510² optional accessories	4510 6897 2012 0999						
SOUND WAVE optional accessories	6800 5845 7600 0000						
MEISTERSTÜCK and whirl system with easy-clean finish Pre-assembled in factory. Parts supplied: bath, whirl technology (visible parts in chrome), waste and overflow fittings. The whirl system order form is available at www.kaldewei.com							
VIVO VITA 10 floor jets 10 floor jets	1127 1128	170 x 75 x 47 180 x 80 x 47					

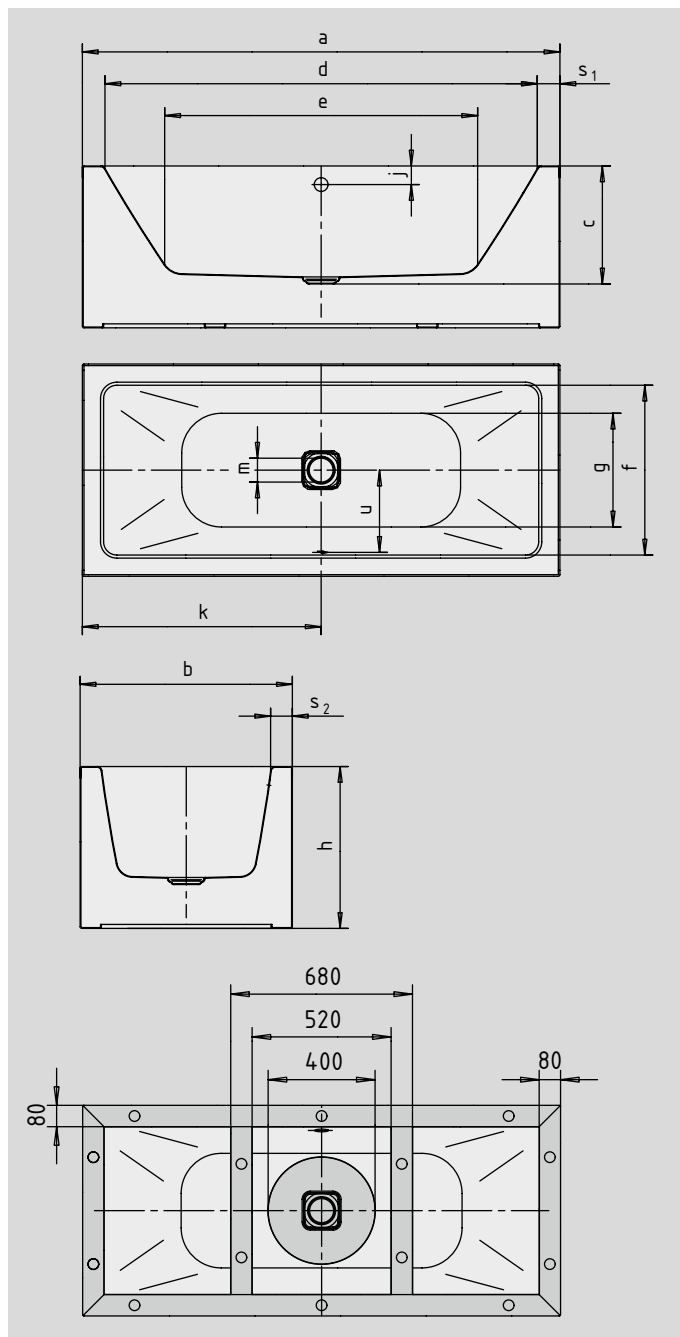
Note: Shower head not included.²

MEISTERSTÜCK CONODUO

- freestanding bath made of superior steel enamel
- with exclusive easy-clean finish
- straightlined, purist design
- enamelled waste cover integrated in the bath design
- bathing with a friend: two identical back rests and centrally positioned waste
- classic four-cornered model
- made of KALDEWEI steel enamel
- designed by Sottsass Associati



Similar illustration



Model No.		1732	1733
External length	a	1700	1800 mm
External width	b	750	800 mm
Depth	c	445	445 mm
Internal length (top)	d	1540	1640 mm
Internal length (bottom)	e	1080	1180 mm
Internal width (top)	f	590	640 mm
Internal width (bottom)	g	470	520 mm
Height of bath	h	610	610 mm
Distance top edge to centre of overflow hole	j	70	70 mm
Distance bath edge to centre of drain hole	k	850	900 mm
Diameter of overflow hole	l	52	52 mm
Diameter of drain hole	m	90	90 mm
Width of rim (foot end; lengthwise)	s ₁ ; s ₂	80; 80	80; 80 mm
Distance between centre holes	u	285	310 mm
Water volume** in litres		122	159
Weight of the enamelled bath in kg		137	151
Waste connection diameter		40/50	40/50 mm
Fill fitting connection		1/2"	1/2"

Subject to technical alterations, tolerances and errors. Similar illustration.
** 70 litres displacement on average.

KALDEWEI

	Model Order No.	Dimensions cm	Colour price groups				EUR I (alpine white)
MEISTERSTÜCK CONODUO with easy-clean finish pre-assembled in factory with special waste and overflow fitting KA4080 with enamelled waste cover and enamelled overflow knob	1732 2006 4080 3001 1733 2007 4080 3001	170 x 75 x 43 180 x 80 x 43					
MEISTERSTÜCK CONODUO with easy-clean finish pre-assembled in factory with special waste and overflow fitting with integrated filling function KA4081 with enamelled waste cover and overflow knob. The KA4081 fitting requires a non return valve. This is not included.	1732 2006 4081 3001 1733 2007 4081 300	170 x 75 x 43 180 x 80 x 43					
OPTIONAL ACCESSORIES							
MEISTERSTÜCK CONODUO for COMFORT SELECT							
MEISTERSTÜCK CONODUO for COMFORT SELECT incl. standard fitting with enamelled waste cover and enamelled overflow knob 4507	1732 1733						
MEISTERSTÜCK CONODUO for COMFORT SELECT incl. fitting with integrated filling function with enamelled waste cover and enamelled overflow knob 4508	1732 1733						
COMFORT SELECT electronic controls with operating panel, chrome, accessories required	4511 6897 2011 0999						
COMFORT SELECT shower hose 4510² optional accessories	4510 6897 2012 0999						
SOUND WAVE optional accessories	6800 5845 7600 0000						
MEISTERSTÜCK and whirl system with easy-clean finish Pre-assembled in factory. Parts supplied: bath, whirl technology (visible parts in chrome), waste and overflow fittings. The whirl system order form is available at www.kaldewei.com							
VIVO VITA 10 floor jets	1732 1733	170 x 75 x 43 180 x 80 x 43					

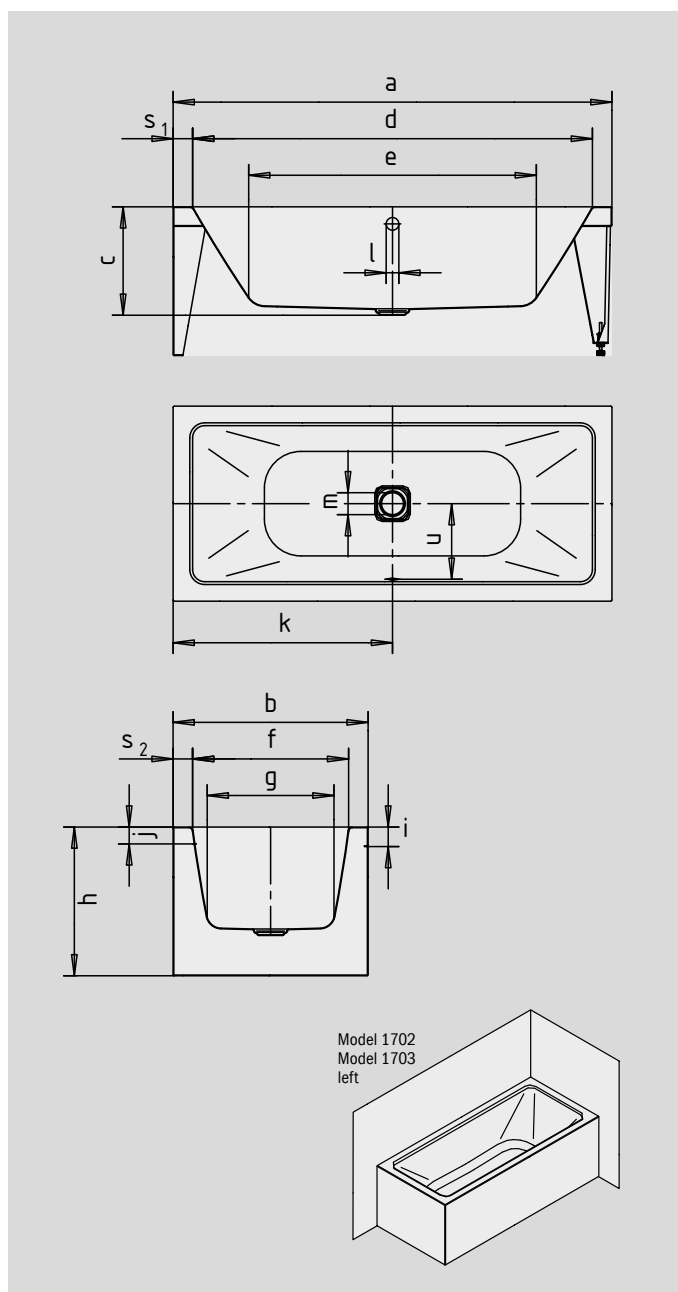
Note: Shower head not included.²

MEISTERSTÜCK CONODUO 1 LEFT CORNER INSTALLATION LEFT (2-SIDED)

- bath made of high-quality steel enamel with enamelled panelling on two sides
- specially designed for corner installation
- available in left-hand and right-hand version
- enamel surface with exclusive easy-clean finish
- straight-lined, purist design
- enamelled waste cover and overflow knob integrated in the bath design (also available with filling function)
- made of KALDEWEI steel enamel
- designed by Sottsass Associati



Similar illustrations



Model No.		1702	1703
External length	a	1700	1800 mm
External width	b	750	800 mm
Depth	c	445	445 mm
Internal length (top)	d	1540	1640 mm
Internal length (bottom)	e	1080	1180 mm
Internal width (top)	f	590	640 mm
Internal width (bottom)	g	470	520 mm
Height of bath	h	610	610 mm
Height of rim	i	80	80 mm
Distance top edge to centre of overflow hole	j	70	70 mm
Distance bath edge to centre of drain hole	k	850	900 mm
Diameter of overflow hole	l	52	52 mm
Diameter of drain hole	m	90	90 mm
Width of rim (foot end; lengthwise)	s ₁ ; s ₂	80; 80	80; 80 mm
Distance between centre holes	u	285	310 mm
Water volume** in litres		122	159
Weight of the enamelled bath in kg		100	109
Waste connection diameter		40/50	40/50 mm
Fill fitting connection		1/2"	1/2"

Subject to technical alterations, tolerances and errors. Similar illustrations.
** 70 litres displacement on average.

KALDEWEI

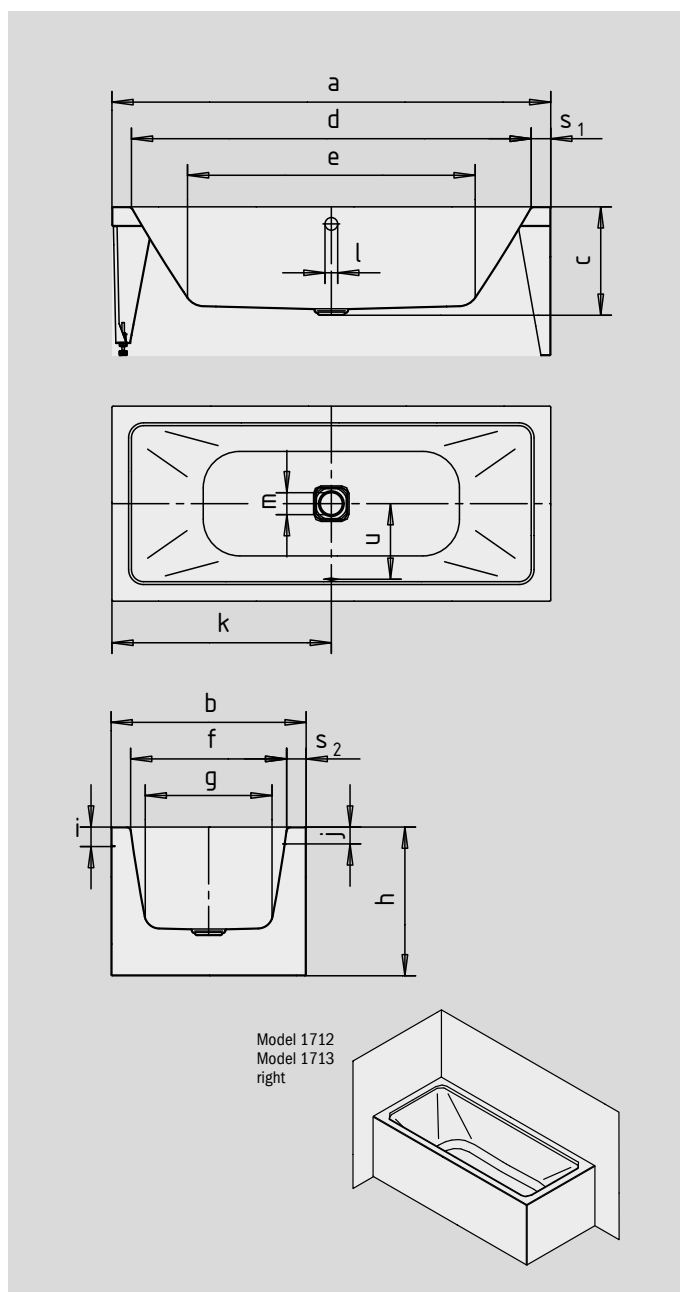
	Model Order No.	Dimensions cm	Colour price groups	EUR I (alpine white)
MEISTERSTÜCK CONODUO 1 left with easy-clean finish with special waste fitting KA 4080 with enamelled waste cover and enamelled overflow knob	1702 2014 4080 3001	170 x 75 x 43		
MEISTERSTÜCK CONODUO 1 left with easy-clean finish with special waste fitting KA 4080 with enamelled waste cover and enamelled overflow knob	1703 2015 4080 3001	180 x 80 x 43		
MEISTERSTÜCK CONODUO 1 left with easy-clean finish with special waste fitting KA 4081 with filling function with enamelled waste cover and overflow knob. The KA 4081 fitting requires a non return valve. This is not included.	1702 2014 4081 3001	170 x 75 x 43		
MEISTERSTÜCK CONODUO 1 left with easy-clean finish with special waste fitting KA 4081 with filling function with enamelled waste cover and overflow knob. The KA 4081 fitting requires a non return valve. This is not included.	1703 2015 4081 3001	180 x 80 x 43		
OPTIONAL ACCESSORIES				
MEISTERSTÜCK CONODUO 1 left for COMFORT SELECT				
MEISTERSTÜCK CONODUO 1 left for COMFORT SELECT incl. standard fitting with enamelled waste cover and enamelled overflow knob 4507	1702 1703			
MEISTERSTÜCK CONODUO 1 left for COMFORT SELECT incl. fitting with integrated filling function with enamelled waste cover and enamelled overflow knob 4508	1702 1703			
COMFORT SELECT TYPE A electronic controls with operating panel, chrome	4500 6897 2008 0999			
COMFORT SELECT shower hose 4509 optional accessories	4509 ¹ 6897 2010 0999			
SOUND WAVE optional accessories	6800 5845 7600 0000			
¹ Shower head not included.				

MEISTERSTÜCK CONODUO 1 RIGHT CORNER INSTALLATION RIGHT (2-SIDED)

- bath made of high-quality steel enamel with enamelled panelling on two sides
- specially designed for corner installation
- available in left-hand and right-hand version
- enamel surface with exclusive easy-clean finish
- straight-lined, purist design
- enamelled waste cover and overflow knob integrated in the bath design (also available with filling function)
- made of KALDEWEI steel enamel
- designed by Sottsass Associati



Similar illustrations



Model No.		1712	1713
External length	a	1700	1800 mm
External width	b	750	800 mm
Depth	c	445	445 mm
Internal length (top)	d	1540	1640 mm
Internal length (bottom)	e	1080	1180 mm
Internal width (top)	f	590	640 mm
Internal width (bottom)	g	470	520 mm
Height of bath	h	610	610 mm
Height of rim	i	80	80 mm
Distance top edge to centre of overflow hole	j	70	70 mm
Distance bath edge to centre of drain hole	k	850	900 mm
Diameter of overflow hole	l	52	52 mm
Diameter of drain hole	m	90	90 mm
Width of rim (foot end; lengthwise)	s ₁ ; s ₂	80; 80	80; 80 mm
Distance between centre holes	u	285	310 mm
Water volume** in litres		122	159
Weight of the enamelled bath in kg		100	109
Waste connection diameter		40/50	40/50 mm
Fill fitting connection		1/2"	1/2"

Subject to technical alterations, tolerances and errors. Similar illustrations.
** 70 litres displacement on average.

	Model Order No.	Dimensions cm	Colour price groups	EUR I (alpine white)
MEISTERSTÜCK CONODUO 1 right with easy-clean finish with special waste fitting KA 4080 with enamelled waste cover and enamelled overflow knob	1712 2016 4080 3001	170 x 75 x 43		
MEISTERSTÜCK CONODUO 1 right with easy-clean finish with special waste fitting KA 4080 with enamelled waste cover and enamelled overflow knob	1713 2017 4080 3001	180 x 80 x 43		
MEISTERSTÜCK CONODUO 1 right with easy-clean finish with special waste fitting KA 4081 with filling function with enamelled waste cover and overflow knob. The KA 4081 fitting requires a non return valve. This is not included.	1712 2016 4081 3001	170 x 75 x 43		
MEISTERSTÜCK CONODUO 1 right with easy-clean finish with special waste fitting KA 4081 with filling function with enamelled waste cover and overflow knob. The KA 4081 fitting requires a non return valve. This is not included.	1713 2017 4081 3001	180 x 80 x 43		
OPTIONAL ACCESSORIES				
MEISTERSTÜCK CONODUO 1 right for COMFORT SELECT				
MEISTERSTÜCK CONODUO 1 right for COMFORT SELECT incl. standard fitting with enamelled waste cover and enamelled overflow knob 4507	1712 1713			
MEISTERSTÜCK CONODUO 1 right for COMFORT SELECT incl. fitting with integrated filling function with enamelled waste cover and enamelled overflow knob 4508	1712 1713			
COMFORT SELECT TYPE A electronic controls with operating panel, chrome	4500 6897 2008 0999			
COMFORT SELECT shower hose 4509 optional accessories	4509 ¹ 6897 2010 0999			
SOUND WAVE optional accessories	6800 5845 7600 0000			
¹ Shower head not included.				

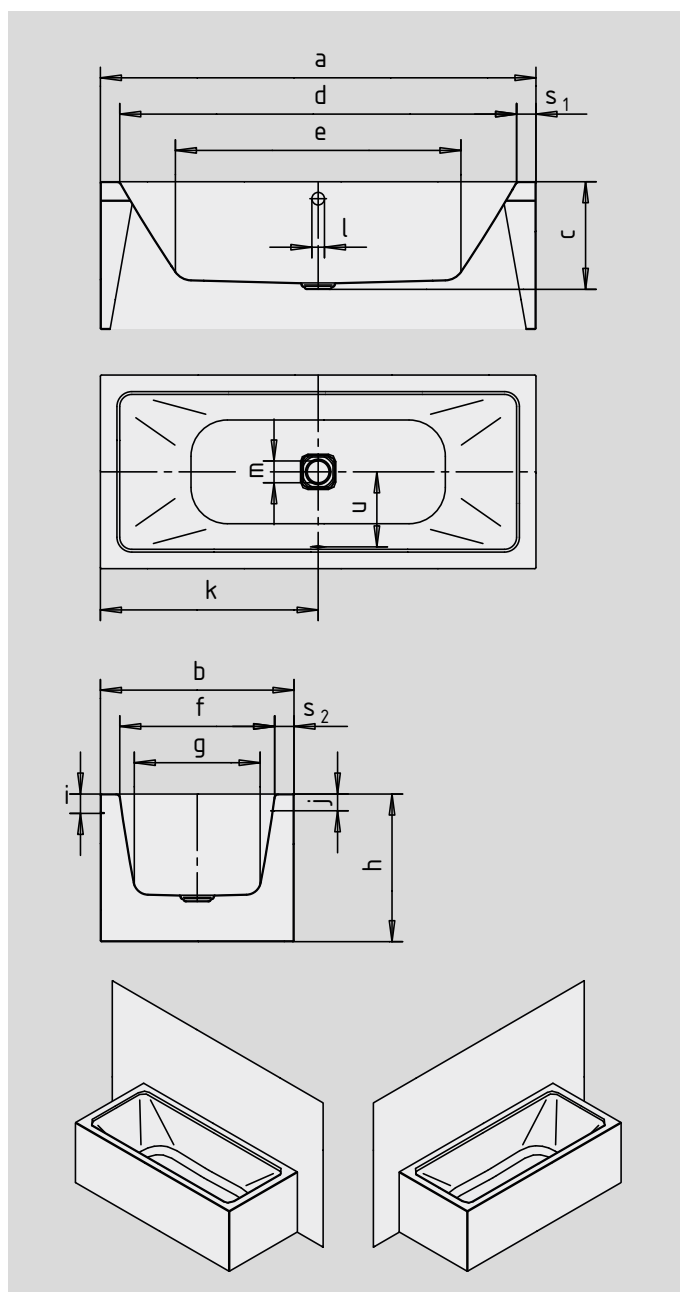
MEISTERSTÜCK CONODUO 2

FRONT WALL INSTALLATION (3-SIDED)

- bath made of high-quality steel enamel with enamelled panelling on three sides
- enamel surface with exclusive easy-clean finish
- straight-lined, purist design
- enamelled waste cover and overflow knob integrated in the bath design (also available with filling function)
- made of KALDEWEI steel enamel
- designed by Sottsass Associati



Similar illustrations



Model No.		1722	1723
External length	a	1700	1800 mm
External width	b	750	800 mm
Depth	c	445	445 mm
Internal length (top)	d	1540	1640 mm
Internal length (bottom)	e	1080	1180 mm
Internal width (top)	f	590	640 mm
Internal width (bottom)	g	470	520 mm
Height of bath	h	610	610 mm
Height of rim	i	80	80 mm
Distance top edge to centre of overflow hole	j	70	70 mm
Distance bath edge to centre of drain hole	k	850	900 mm
Diameter of overflow hole	l	52	52 mm
Diameter of drain hole	m	90	90 mm
Width of rim (foot end; lengthwise)	s ₁ ; s ₂	80; 80	80; 80 mm
Distance between centre holes	u	285	310 mm
Water volume** in litres		122	159
Weight of the enamelled bath in kg		109	118
Waste connection diameter		40/50	40/50 mm
Fill fitting connection		1/2"	1/2"

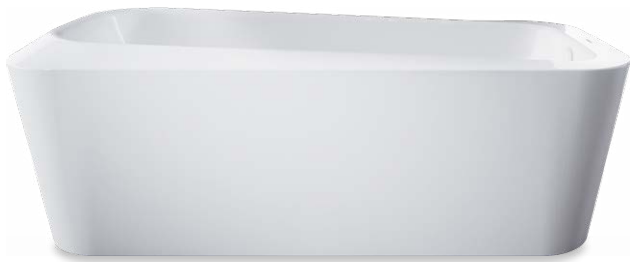
Subject to technical alterations, tolerances and errors. Similar illustrations.
** 70 litres displacement on average.

KALDEWEI

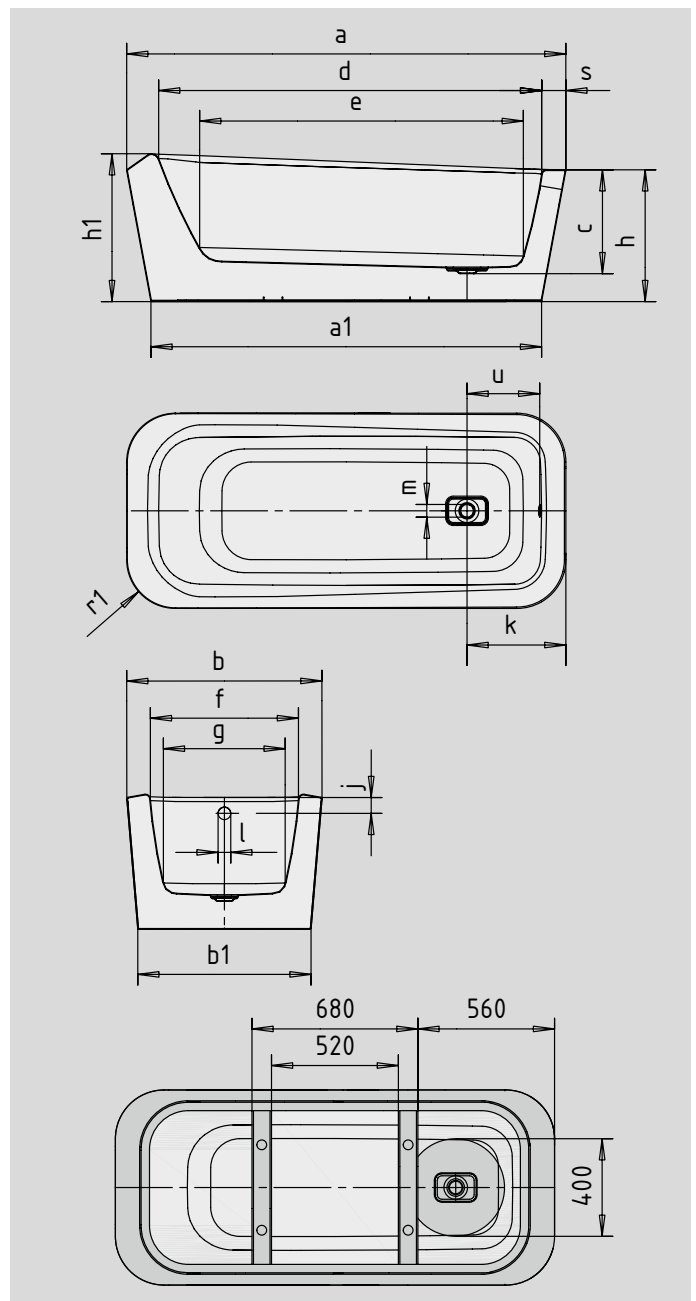
	Model Order No.	Dimensions cm	Colour price groups	EUR I (alpine white)
MEISTERSTÜCK CONODUO 2 with easy-clean finish with special waste fitting KA 4080 with enamelled waste cover and enamelled overflow knob	1722 2018 4080 3001	170 x 75 x 43		
MEISTERSTÜCK CONODUO 2 with easy-clean finish with special waste fitting KA 4080 with enamelled waste cover and enamelled overflow knob	1723 2019 4080 3001	180 x 80 x 43		
MEISTERSTÜCK CONODUO 2 with easy-clean finish with special waste fitting KA 4081 with filling function with enamelled waste cover and overflow knob. The KA 4081 fitting requires a non return valve. This is not included.	1722 2018 4081 3001	170 x 75 x 43		
MEISTERSTÜCK CONODUO 2 with easy-clean finish with special waste fitting KA 4081 with filling function with enamelled waste cover and overflow knob. The KA 4081 fitting requires a non return valve. This is not included.	1723 2019 4081 3001	180 x 80 x 43		
OPTIONAL ACCESSORIES				
MEISTERSTÜCK CONODUO 2 for COMFORT SELECT				
MEISTERSTÜCK CONODUO 2 for COMFORT SELECT incl. standard fitting with enamelled waste cover and enamelled overflow knob 4507	1722 1723			
MEISTERSTÜCK CONODUO 2 for COMFORT SELECT incl. fitting with integrated filling function with enamelled waste cover and enamelled overflow knob 4508	1722 1723			
COMFORT SELECT TYPE A electronic controls with operating panel, chrome	4500 6897 2008 0999			
COMFORT SELECT shower hose 4509 optional accessories	4509 ¹ 6897 2010 0999			
SOUND WAVE optional accessories	6800 5845 7600 0000			
¹ Shower head not included.				

MEISTERSTÜCK EMERSO

- exclusive, free-standing single-seat bath
- diagonal backrest rim twists elegantly into the horizontal foot section lending the bath a distinctively unique character
- enamel surface with exclusive easy-clean finish
- enamelled waste cover and overflow knob integrated in the bath design (also available with filling function)
- made of KALDEWEI steel enamel
- designed by Arik Levy



Similar illustrations



Model No.		1100
External length	a	1800 mm
External length (bottom)	a ₁	1600 mm
External width	b	800 mm
External width (bottom)	b ₁	710 mm
Depth	c	425 mm
Internal length (top)	d	1570 mm
Internal length (bottom)	e	1327 mm
Internal width (top)	f	607 mm
Internal width (bottom)	g	500 mm
Height of bath	h	540 mm
Height (head end)	h ₁	606 mm
Distance top edge to centre of overflow hole	j	65 mm
Distance bath edge to centre of drain hole	k	405 mm
Diameter of overflow hole	l	52 mm
Diameter of drain hole	m	52 mm
Radius	r ₁	200 mm
Width of rim (foot end)	s	97 mm
Distance between centre holes	u	298 mm
Water volume** in litres		146
Weight of the enamelled bath in kg		125
Waste connection diameter		40/50 mm
Fill fitting connection		1/2"

Subject to technical alterations, tolerances and errors. Similar illustrations.
** 70 litres displacement on average.

KALDEWEI

	Model Order No.	Dimensions cm	Colour price groups	EUR I (alpine white)
MEISTERSTÜCK EMERSO with easy-clean finish with special waste fitting KA 4060 with enamelled waste cover and enamelled overflow knob	1100 2011 4060 3001	180 x 80 x 41		
MEISTERSTÜCK EMERSO with easy-clean finish with special waste fitting KA 4061 with filling function with enamelled waste cover and overflow knob. The KA 4061 fitting requires a non return valve. This is not included.	1100 2011 4061 3001	180 x 80 x 41		
OPTIONAL ACCESSORIES				
SOUND WAVE optional accessories	6800 5845 7600 0000			

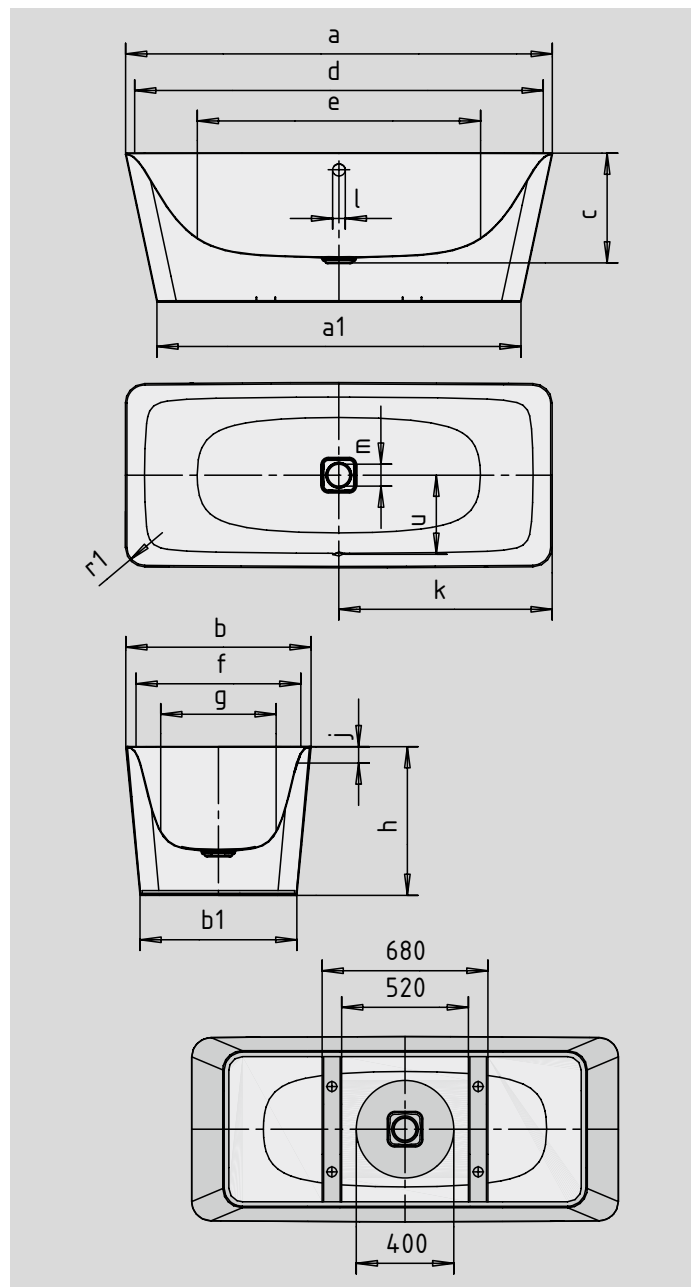


MEISTERSTÜCK INCAVA

- free-standing bath made of high-quality steel enamel
- enamel surface with exclusive easy-clean finish
- subtle tension between soft lines of the interior and sensual geometry of the exterior
- enamelled waste cover and overflow knob integrated in the bath design (also available with filling function)
- bathing à deux: two identical backrests and central waste
- made of KALDEWEI steel enamel
- designed by Anke Salomon



Similar illustrations



Model No.		1174
External length	a	1750 mm
External length (bottom)	a ₁	1493 mm
External width	b	760 mm
External width (bottom)	b ₁	643 mm
Depth	c	450 mm
Internal length (top)	d	1676 mm
Internal length (bottom)	e	1162 mm
Internal width (top)	f	676 mm
Internal width (bottom)	g	473 mm
Height of bath	h	610 mm
Distance top edge to centre of overflow hole	j	70 mm
Distance bath edge to centre of drain hole	k	875 mm
Diameter of overflow hole	l	52 mm
Diameter of drain hole	m	90 mm
Radius	r ₁	80 mm
Distance between centre holes	u	320 mm
Water volume** in litres		140 mm
Weight of the enamelled bath in kg		115
Waste connection diameter		40/50 mm
Fill fitting connection		1/2"

Subject to technical alterations, tolerances and errors. Similar illustrations.
** 70 litres displacement on average.

KALDEWEI

	Model Order No.	Dimensions cm	Colour price groups	EUR I (alpine white)
MEISTERSTÜCK INCAVA with easy-clean finish with special waste fitting KA 4080 with enamelled waste cover and enamelled overflow knob	1174 2013 4080 3001	175 x 76 x 43,5		
MEISTERSTÜCK INCAVA with easy-clean finish with special waste fitting KA 4081 with filling function with enamelled waste cover and overflow knob. The KA 4081 fitting requires a non return valve. This is not included.	1174 2013 4081 3001	175 x 76 x 43,5		
OPTIONAL ACCESSORIES				
SOUND WAVE optional accessories	6800 5845 7600 0000			



ASYMMETRIC DUO

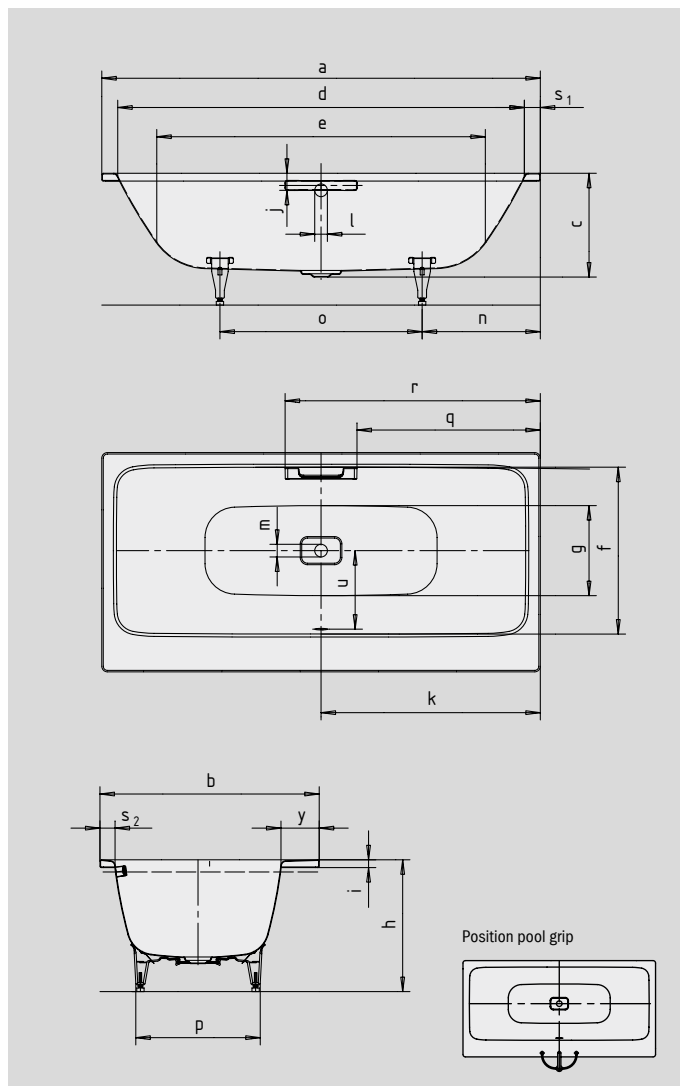
- exciting contrast between the clear lines of the bath rim and the flowing, ergonomic design language of the interior
- generously sized storage area that can also be used as a sit or to accommodate bath rim tap fittings
- enamelled waste cover and overflow knob integrated in the bath design
- bathing with a friend: two identical back rests and centrally positioned waste
- made of KALDEWEI steel enamel



Similar illustration

To order the bath with opposite overflow, please order model xxxx**2300**xxxx.

To order the bath with pre-drilled grip holes on one side, please order model xxxx**1011**xxxx.



GRIP ELEGANT PURISM



Model No.		740	742	744
External length	a	1700	1800	1900 mm
External width	b	800	900	1000 mm
Depth	c	425	425	425 mm
Internal length (top)	d	1570	1670	1770 mm
Internal length (bottom)	e	1246	1348	1484 mm
Internal width (top)	f	616	681	751 mm
Internal width (bottom)	g	500	600	646 mm
Height with feet	h	540-560	540-560	540-560 mm
Height of rim	i	32	32	32 mm
Distance top edge to centre of overflow hole	j	70	70	70 mm
Distance bath edge to centre of drain hole	k	850	900	950 mm
Diameter of overflow hole	l	52	52	52 mm
Diameter of drain hole	m	52	52	52 mm
Distance foot end of bath edge to centre of foot	n	550	580	585 mm
Distance between the feet	o	600	640	730 mm
Max. width of feet	p	445	525	585 mm
Distance bath edge (foot end) to where grip/handle starts	q	702,5	752,5	802,5 mm
Distance bath edge (foot end) to where grip/handle ends	r	997,5	1047,5	1097,5 mm
Width of rim (foot end; lengthwise)	s ₁ ; s ₂	65; 62	65; 62	65; 62 mm
Distance between centre holes	u	300	335	370 mm
Shelf (width)	y ₃	122	157	187 mm
Water volume** in litres		123	163	208
Weight of the enamelled bath in kg		50	56	64
Anti-slip		348 x 348	396 x 396	396 x 396 mm
Full anti-slip		740 x 252	876 x 252	924 x 348 mm

Note: The operational system may protrude on some whirl systems.
Please refer to the Technical Information for Whirl Systems for further information.
Subject to technical alterations, tolerances and errors. Similar illustration.
** 70 litres displacement on average.

KALDEWEI

	Model Order No.	Dimensions cm	Colour price groups				EUR
			I (alpine white)	II	III	IV	
ASYMMETRIC DUO Special waste and overflow fitting or COMFORT-LEVEL mandatory for ASYMMETRIC DUO optional special leg set Mod. 5037	740 2740 0001 xxxx 742 2742 0001 xxxx 744 2744 0001 xxxx	170 x 80 x 42 180 x 90 x 42 190 x 100 x 42					
Design with opposite overflow available without extra charge	xxxx 2300 xxxx						
Model with grip holes on one side available without extra charge	xxxx 1011 xxxx						
ACCESSORIES REQUIRED							
Special leg set for ASYMMETRIC DUO	5037 5831 7000 0000						
and							
Special waste and overflow fitting for ASYMMETRIC DUO with enamelled waste cover and enamelled overflow knob	KA 4060 6877 7204 xxxx						
Special waste and overflow fitting for ASYMMETRIC DUO With integrated filling function, enamelled waste cover and overflow knob. The KA 4061 fitting requires a non return valve. This is not included.	KA 4061 6877 7206 xxxx						
COMFORT-LEVEL with enamelled waste cover and chrome overflow knob	4006 6897 1054 xxxx						
COMFORT-LEVEL PLUS with enamelled waste cover and chrome overflow knob. The 4016 fitting requires a non return valve. This is not included.	4016 6897 1055 xxxx						
OPTIONAL SURFACE FINISHES							
Extra charge for easy-clean finish	xxxxxxx 3 xxx						
Anti-slip Anti-slip enamel							
Full anti-slip Full anti-slip enamel							
Please take into account when ordering anti-slip and full anti-slip finish the configuration of the KALDEWEI item number (see page 353). More information can be found on page 168 - 169.							
OPTIONAL ACCESSORIES							
Grip ELEGANT PURISM Type A (1 grip), see page 160	chrome	5904 7000 999					
SOUND WAVE see page 171	6800 5845 7600 0000						
COMFORT SELECT TYPE A Electronic controls with operating panel, chrome for more information see page 154	4500 6897 2008 0999						
and							
COMFORT SELECT out and overflow fitting (fully enamelled) For ASYMMETRIC DUO without filling function. Further information and also shower hose options s. p. 158 - 159.	4505 6897 2003 xxxx						
COMFORT SELECT out and overflow fitting (fully enamelled) For ASYMMETRIC DUO with integrated filling function The 4506 fitting requires a non return valve. This is not included. Further information and also shower hose options s. p. 158 - 159.	4506 6897 2004 xxxx						
Baths incl. wellness-system with easy-clean finish. Pre-assembled in factory. Parts supplied: bath, wellness technology, waste and overflow fittings, leg set. Special equipment whirl systems see page 180. MULTIVERSO panelling system for wellness baths see page 182 - 183. The whirl system order form is available at www.kaldewei.com							
SKIN TOUCH see page 176	740 742 744	170 x 80 x 42 180 x 90 x 42 190 x 100 x 42					
SKIN TOUCH emotion see page 176	740 742 744	170 x 80 x 42 180 x 90 x 42 190 x 100 x 42					
VIVO TURBO 6 side jets also compatible with COMFORT SELECT	740 742 744	170 x 80 x 42 180 x 90 x 42 190 x 100 x 42					
VIVO TURBO PLUS 6 side jets also compatible with COMFORT SELECT	740 742 744	170 x 80 x 42 180 x 90 x 42 190 x 100 x 42					
VIVO VITA 10 floor jets 12 floor jets	740 742 744	170 x 80 x 42 180 x 90 x 42 190 x 100 x 42					
VIVO AQUA 8 side jets	740 742 744	170 x 80 x 42 180 x 90 x 42 190 x 100 x 42					
VIVO VARIO ECO 8 side jets, 10 floor jets 8 side jets, 12 floor jets	740 742 744	170 x 80 x 42 180 x 90 x 42 190 x 100 x 42					
VIVO VARIO PLUS 8 side jets, 10 floor jets + 2 microjets each in the back and foot area 8 side jets, 12 floor jets + 2 microjets each in the back and foot area	740 742 744	170 x 80 x 42 180 x 90 x 42 190 x 100 x 42					

* Colour price group IV: alpine white matt (from 01.04.), city-anthracite matt, lava black matt, seashell cream matt, oyster grey matt.

Baths in colour price group IV are not available with easy-clean, anti-slip or full anti-slip finish or whirl system.

Further accessories can be found on page 146. Available colours see page 170. ● = separate accessory. For more information on the 12-digit KALDEWEI Article Number see page 353.

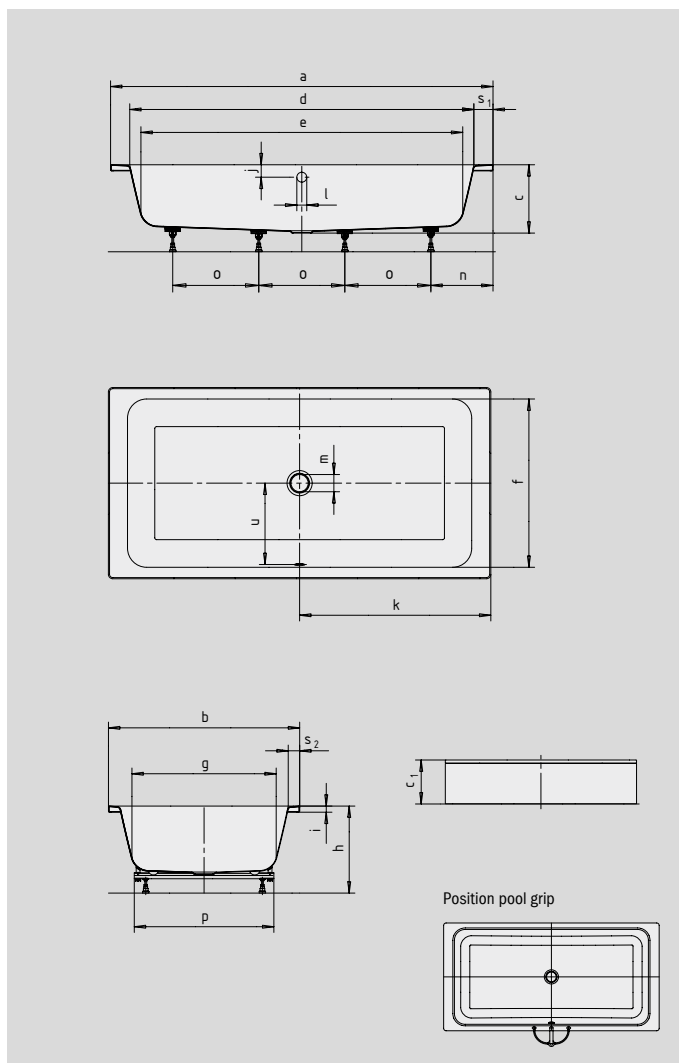
BASSINO

BASSINO WITH MOULDED PANEL

- straightlined, purist design
- cushion included in accessory pack allows the bather to float as if in the open ocean
- suitable for use as a shower bath
- bath shelf for use as a seat or for storage available as an optional extra
- made of KALDEWEI steel enamel
- also available with panel



Similar illustration



Cushion

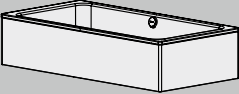


Bath shelf (optional)

Model No.		144
External length	a	2000 mm
External width	b	1000 mm
Depth	c	355 mm
Overall height with panel	c ₁	460 mm
Internal length (top)	d	1800 mm
Internal length (bottom)	e	1680 mm
Internal width (top)	f	880 mm
Internal width (bottom)	g	755 mm
Height with feet	h	455-470 mm
Height of rim	i	32 mm
Distance top edge to centre of overflow hole	j	65 mm
Distance bath edge to centre of drain hole	k	1000 mm
Diameter of overflow hole	l	52 mm
Diameter of drain hole	m	90 mm
Distance foot end of bath edge to centre of foot	n	325 mm
Distance between the feet	o	450 mm
Max. width of feet	p	730 mm
Width of rim (foot end; lengthwise)	s ₁ ; s ₂	100; 60 mm
Distance between centre holes	u	425 mm
Water volume** in litres		240
Weight of the enamelled bath in kg		70

Subject to technical alterations, tolerances and errors. Similar illustration.
 ** 70 litres displacement on average.

KALDEWEI

	Model Order No.	Dimensions cm	Colour price groups				EUR
			I (alpine white)	II	III	IV	
BASSINO accessory pack I or II required for BASSINO optional special leg set 5070	144 2540 0001 xxxx	200 x 100 x 35,5					
with front panel and side panel right** incl. special leg set 5070	144-4 2540 4902 xxxx						
with front panel and side panel left** incl. special leg set 5070	144-5 2540 4903 xxxx						
with front panel and 2 side panels** incl. special leg set 5070	144-6 2540 4904 xxxx						
with free-standing panel** incl. flexible waste hose and special leg set 5070 	144-7 2540 4805 xxxx						
**Panel colours: alpine white (colour code and colour price group see page 170).							
ACCESSORIES REQUIRED							
Special leg set for BASSINO	5070 6877 7030 0000						
Accessory pack I grey cushion and COMFORT-LEVEL Mod. 4005	4070 6877 7010 0000						
Accessory pack II grey cushion and COMFORT-LEVEL PLUS Mod. 4015	4071 6877 7011 0000						
Bath shelf grey	6877 7021 0000	95 x 26					
OPTIONAL SURFACE FINISHES							
Extra charge for easy-clean finish	xxxxxxx3xxx						
More information on easy-clean finish can be found on page 169.							
OPTIONAL ACCESSORIES							
SOUND WAVE see page 171	6800 5845 7600 0000						

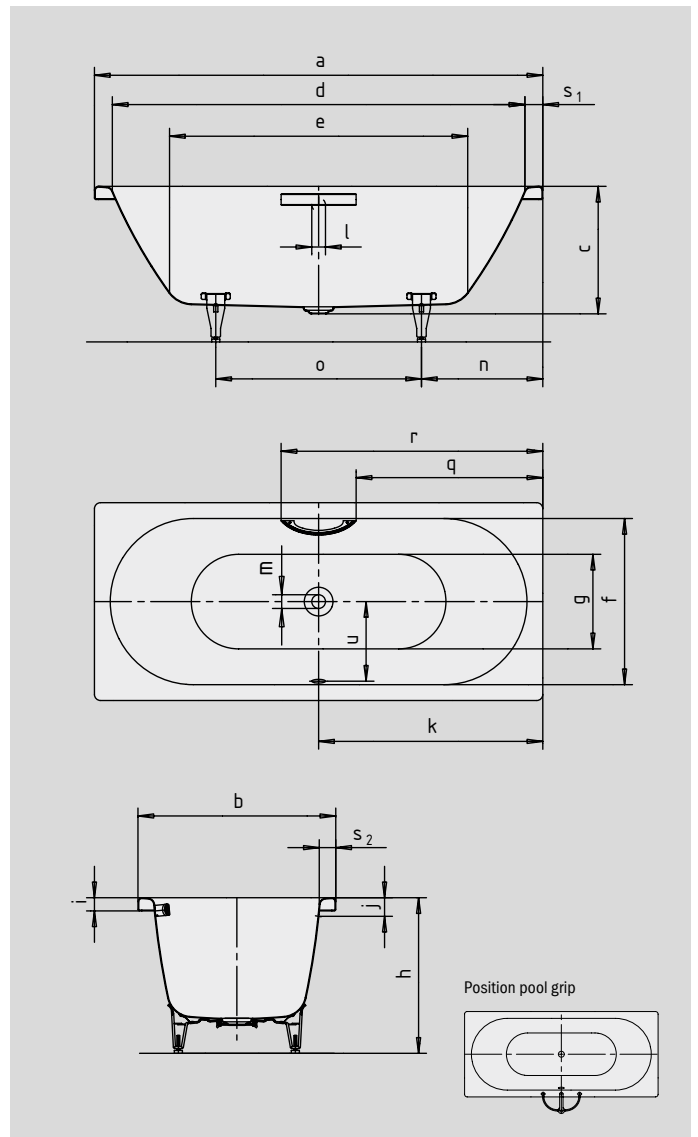
CENTRO DUO

- pure simplicity and unpretentious elegance are what distinguish these baths
- bathing with a friend: two identical back rests and centrally positioned waste
- classic four-cornered model
- made of KALDEWEI steel enamel
- enamelled waste cover and overflow knob integrated in the bath design



Similar illustration

To order the bath with pre-drilled grip holes on one side, please order model xxxx**1011**xxxx.



GRIP DISCREET OPULENCE



Model No.		132	133
External length	a	1700	1800 mm
External width	b	750	800 mm
Depth	c	485	485 mm
Internal length (top)	d	1580	1680 mm
Internal length (bottom)	e	1130	1230 mm
Internal width (top)	f	630	680 mm
Internal width (bottom)	g	510	560 mm
Height with feet	h	605-640	595-630 mm
Height of rim	i	50	50 mm
Distance top edge to centre of overflow hole	j	70	70 mm
Distance bath edge to centre of drain hole	k	850	900 mm
Diameter of overflow hole	l	52	52 mm
Diameter of drain hole	m	52	52 mm
Distance foot end of bath edge to centre of foot	n	560	600 mm
Distance between the feet	o	580	600 mm
Max. width of feet	p	465	540 mm
Distance bath edge (foot end) to where grip/handle starts	q	707	757 mm
Distance bath edge (foot end) to where grip/handle ends	r	993	1043 mm
Width of rim (foot end; lengthwise)	s ₁ ; s ₂	60; 60	60; 60 mm
Distance between centre holes	u	307	332 mm
Water volume** in litres		156	195
Weight of the enamelled bath in kg		53	58
Anti-slip		Ø 435	Ø 435 mm
Full anti-slip		900 x 300	900 x 300 mm

Note: The operational system may protrude on some whirl systems.
Please refer to the Technical Information for Whirl Systems for further information.
Subject to technical alterations, tolerances and errors. Similar illustration.
** 70 litres displacement on average.

KALDEWEI

	Model Order No.	Dimensions cm	Colour price groups				EUR
			I (alpine white)	II	III	IV	
CENTRO DUO Either ALLROUND leg set Mod. 5030 or special leg set Mod. 5032 is mandatory	132 2832 2001 xxxx 133 2833 3001 xxxx	170 x 75 x 47 180 x 80 x 47					
Model with grip holes on one side available without extra charge	xxxx 1011 xxxx						
ACCESSORIES REQUIRED							
Leg set ALLROUND	5030 5814 7000 0000						
Special leg set for CENTRO DUO Mod. 133	5032 5816 7000 0000						
and							
Special waste and overflow fitting for CENTRO DUO with enamelled waste cover and enamelled overflow knob	KA 4040 6877 7208 xxxx						
Special waste and overflow fitting for CENTRO DUO With integrated filling function, enamelled waste cover and enamelled overflow knob. The KA4041 fitting requires a non return valve. This is not included.	KA 4041 6877 7210 xxxx						
COMFORT-LEVEL with enamelled waste cover and chrome overflow knob	4007 6876 7003 xxxx						
COMFORT-LEVEL PLUS with enamelled waste cover and chrome overflow knob. The 4017 fitting requires a non return valve. This is not included.	4017 6876 7004 xxxx						
OPTIONAL SURFACE FINISHES							
Extra charge for easy-clean finish	xxxxxxx 3 xxx						
Anti-slip Anti-slip enamel							
Full anti-slip Full anti-slip enamel							
Please take into account when ordering anti-slip and full anti-slip finish the configuration of the KALDEWEI item number (see page 353). More information can be found on page 168 - 169.							
OPTIONAL ACCESSORIES							
Grip DISCREET OPULENCE Type A (1 grip), see page 160	chrome	5900 7000 0999					
SOUND WAVE see page 171	6800 5845 7600 0000						
COMFORT SELECT TYPE A Electronic controls with operating panel, chrome for more information see page 154	4500 6897 2008 0999						
and							
COMFORT SELECT out and overflow fitting (fully enamelled) For CENTRO DUO without filling function. Further information and also shower hose options s. p. 158 - 159.	4503 6897 2001 xxxx						
COMFORT SELECT out and overflow fitting (fully enamelled) For CENTRO DUO with integrated filling function The 4504 fitting requires a non return valve. This is not included. Further information and also shower hose options s. p. 158 - 159.	4504 6897 2002 xxxx						

Baths incl. wellness-system with easy-clean finish.

Pre-assembled in factory. **Parts supplied: bath, wellness technology, waste and overflow fittings, leg set.**

Special equipment whirl systems see page 180. MULTIVERSO panelling system for wellness baths see page 182 - 183. The whirl system order form is available at www.kaldewei.com

SKIN TOUCH see page 176	132 133	170 x 75 x 47 180 x 80 x 47					
SKIN TOUCH emotion see page 176	132 133	170 x 75 x 47 180 x 80 x 47					
VIVO TURBO 6 side jets also compatible with COMFORT SELECT	132 133	170 x 75 x 47 180 x 80 x 47					
VIVO TURBO PLUS 6 side jets also compatible with COMFORT SELECT	132 133	170 x 75 x 47 180 x 80 x 47					
VIVO VITA 10 floor jets	132 133	170 x 75 x 47 180 x 80 x 47					
VIVO AQUA ECO 6 side jets	132 133	170 x 75 x 47 180 x 80 x 47					
VIVO AQUA 8 side jets	132 133	170 x 75 x 47 180 x 80 x 47					
VIVO VARIO ECO 8 side jets, 10 floor jets	132 133	170 x 75 x 47 180 x 80 x 47					
VIVO VARIO PLUS 8 side jets, 10 floor jets + 2 microjets each in the back and foot area	132 133	170 x 75 x 47 180 x 80 x 47					

* Colour price group IV: alpine white matt (from 01.04.), city-anthracite matt, lava black matt, seashell cream matt, oyster grey matt.

Baths in colour price group IV are not available with easy-clean, anti-slip or full anti-slip finish or whirl system.

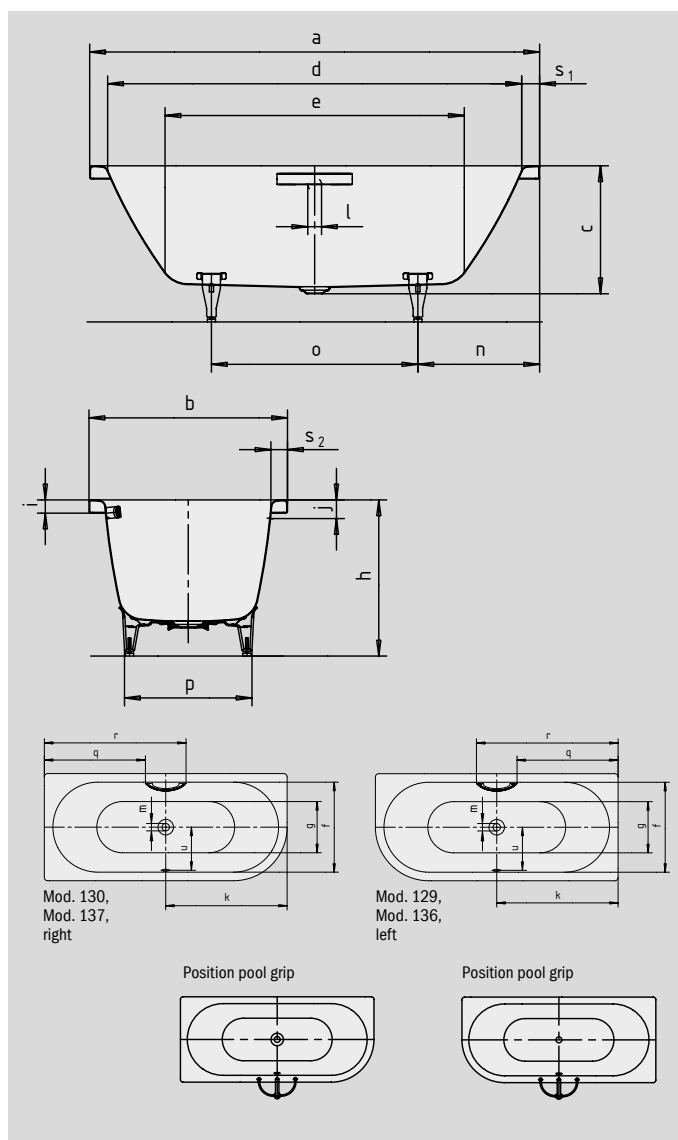
CENTRO DUO 1 LEFT CENTRO DUO 1 RIGHT

- pure simplicity and unpretentious elegance are what distinguish these baths
- bathing with a friend: two identical back rests and centrally positioned waste
- made of KALDEWEI steel enamel
- enamelled waste cover and overflow knob integrated in the bath design



Similar illustration

To order the bath with pre-drilled grip holes on one side, please order model xxxx**1011**xxxx.



GRIP DISCREET OPULENCE



Model No.		129	130	136	137
External length	a	1700	1700	1800	1800 mm
External width	b	750	750	800	800 mm
Depth	c	485	485	485	485 mm
Internal length (top)	d	1580	1580	1680	1680 mm
Internal length (bottom)	e	1130	1130	1230	1230 mm
Internal width (top)	f	630	630	680	680 mm
Internal width (bottom)	g	510	510	560	560 mm
Height with feet	h	605-640	605-640	595-630	595-630 mm
Height of rim	i	50	50	50	50 mm
Distance top edge to centre of overflow hole	j	70	70	70	70 mm
Distance bath edge to centre of drain hole	k	850	850	900	900 mm
Diameter of overflow hole	l	52	52	52	52 mm
Diameter of drain hole	m	52	52	52	52 mm
Distance foot end of bath edge to centre of foot	n	560	560	600	600 mm
Distance between the feet	o	580	580	600	600 mm
Max. width of feet	p	465	465	540	540 mm
Distance bath edge to where grip/handle starts	q	708	708	758	758 mm
Distance bath edge to where grip/handle ends	r	992	992	1042	1042 mm
Width of rim (foot end; lengthwise)	s ₁ ; s ₂	60; 60	60; 60	60; 60	60; 60 mm
Distance between centre holes	u	307	307	332	332 mm
Water volume** in litres		156	156	195	195
Weight of the enamelled bath in kg		53	53	56	56
Anti-slip		∅ 435	∅ 435	∅ 435	∅ 435 mm
Full anti-slip		900 x 300	900 x 300	900 x 300	900 x 300 mm

Note: The operational system may protrude on some whirl systems.
Please refer to the Technical Information for Whirl Systems for further information.
Subject to technical alterations, tolerances and errors. Similar illustration.
** 70 litres displacement on average.

	Model Order No.	Dimensions cm	Colour price groups				EUR
			I (alpine white)	II	III	IV	
CENTRO DUO 1 left Either ALLROUND leg set Mod. 5030 or special leg set Mod. 5032 is mandatory	129 2829 0001 xxxx 136 2836 0001 xxxx	170 x 75 x 47 180 x 80 x 47					
CENTRO DUO 1 right optional ALLROUND leg set Mod. 5030 optional special leg set Mod. 5032	130 2830 0001 xxxx 137 2837 0001 xxxx	170 x 75 x 47 180 x 80 x 47					
Model with grip holes on one side available without extra charge	xxxx 1011 xxxx						
ACCESSORIES REQUIRED							
Leg set ALLROUND	5030 5814 7000 0000						
Special leg set for CENTRO DUO 1 left and right Mod. 136/137	5032 5816 7000 0000						
and							
Special waste and overflow fitting for CENTRO DUO 1 left and right with enamelled waste cover and enamelled overflow knob	KA 4040 6877 7208 xxxx						
Special waste and overflow fitting for CENTRO DUO 1 left and right With integrated filling function, enamelled waste cover and enamelled overflow knob. The KA4041 fitting requires a non return valve. This is not included.	KA 4041 6877 7210 xxxx						
COMFORT-LEVEL with enamelled waste cover and chrome overflow knob	4007 6876 7003 xxxx						
COMFORT-LEVEL PLUS with enamelled waste cover and chrome overflow knob The 4017 fitting requires a non return valve. This is not included.	4017 6876 7004 xxxx						
OPTIONAL SURFACE FINISHES							
Extra charge for easy-clean finish	xxxxxxx 3 xxx						
Anti-slip Anti-slip enamel							
Full anti-slip Full anti-slip enamel							
Please take into account when ordering anti-slip and full anti-slip finish the configuration of the KALDEWEI item number (see page 353). More information can be found on page 168 - 169.							
OPTIONAL ACCESSORIES							
Grip DISCREET OPULENCE Type A (1 grip), see page 160	chrome	5900 7000 0999					
SOUND WAVE see page 171	6800 5845 7600 0000						
COMFORT SELECT TYPE A Electronic controls with operating panel, chrome, for more information see page 154	4500 6897 2008 0999						
and							
COMFORT SELECT out and overflow fitting (fully enamelled) For CENTRO DUO 1 left/right without filling function. Further information and also shower hose options s. p. 158 - 159.	4503 6897 2001 xxxx						
COMFORT SELECT out and overflow fitting (fully enamelled) for CENTRO DUO 1 left/right with integrated filling function. The 4504 fitting requires a non return valve. This is not included. Further information and also shower hose options s. p. 158 - 159.	4504 6897 2002 xxxx						
Baths incl. wellness-system with easy-clean finish. Pre-assembled in factory. Parts supplied: bath, wellness technology, waste and overflow fittings, leg set. Special equipment whirl systems see page 180. MULTIVERSO panelling system for wellness baths see page 182 - 183. The whirl system order form is available at www.kaldewei.com							
SKIN TOUCH see page 176	129/130 136/137	170 x 75 x 47 180 x 80 x 47					
SKIN TOUCH emotion see page 176	129/130 136/137	170 x 75 x 47 180 x 80 x 47					
VIVO TURBO 6 side jets also compatible with COMFORT SELECT	129/130 136/137	170 x 75 x 47 180 x 80 x 47					
VIVO TURBO PLUS 6 side jets also compatible with COMFORT SELECT	129/130 136/137	170 x 75 x 47 180 x 80 x 47					
VIVO VITA 10 floor jets	129/130 136/137	170 x 75 x 47 180 x 80 x 47					
VIVO AQUA ECO 6 side jets	129/130 136/137	170 x 75 x 47 180 x 80 x 47					
VIVO AQUA 8 side jets	129/130 136/137	170 x 75 x 47 180 x 80 x 47					
VIVO VARIO ECO 8 side jets, 10 floor jets	129/130 136/137	170 x 75 x 47 180 x 80 x 47					
VIVO VARIO PLUS 8 side jets, 10 floor jets + 2 microjets each in the back and foot area	129/130 136/137	170 x 75 x 47 180 x 80 x 47					

* Colour price group IV: alpine white matt (from 01.04.), city-anthracite matt, lava black matt, seashell cream matt, oyster grey matt.
Baths in colour price group IV are not available with easy-clean, anti-slip or full anti-slip finish or whirl system.

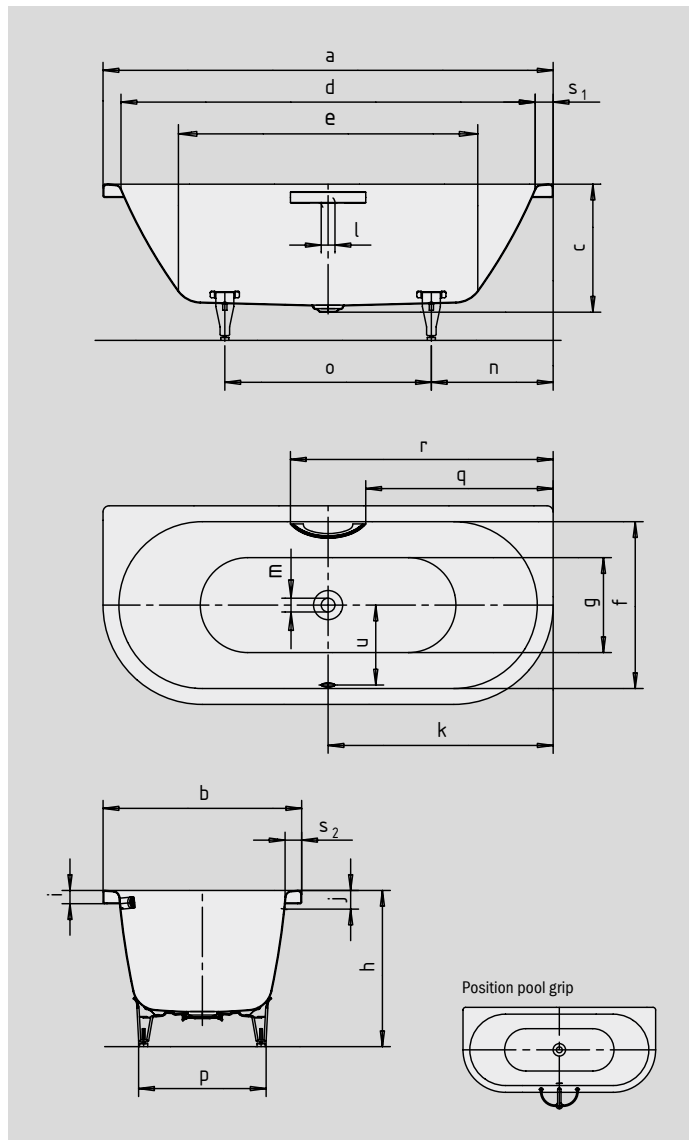
CENTRO DUO 2

- pure simplicity and unpretentious elegance are what distinguish these baths
- bathing with a friend: two identical back rests and centrally positioned waste
- made of KALDEWEI steel enamel
- enamelled waste cover and overflow knob integrated in the bath design



Similar illustration

To order the bath with pre-drilled grip holes on one side, please order model xxxx**1011**xxxx.



GRIP DISCREET OPULENCE



Model No.		131	135
External length	a	1700	1800 mm
External width	b	750	800 mm
Depth	c	485	485 mm
Internal length (top)	d	1580	1680 mm
Internal length (bottom)	e	1130	1230 mm
Internal width (top)	f	630	680 mm
Internal width (bottom)	g	510	560 mm
Height with feet	h	605-640	595-630 mm
Height of rim	i	50	50 mm
Distance top edge to centre of overflow hole	j	70	70 mm
Distance bath edge to centre of drain hole	k	850	900 mm
Diameter of overflow hole	l	52	52 mm
Diameter of drain hole	m	52	52 mm
Distance foot end of bath edge to centre of foot	n	560	600 mm
Distance between the feet	o	580	600 mm
Max. width of feet	p	465	540 mm
Distance bath edge to where grip/handle starts	q	708	758 mm
Distance bath edge to where grip/handle ends	r	992	1042 mm
Width of rim (foot end; lengthwise)	s ₁ ; s ₂	60; 60	60; 60 mm
Distance between centre holes	u	307	332 mm
Water volume** in litres		156	195
Weight of the enamelled bath in kg		52	53
Anti-slip		Ø 435	Ø 435 mm
Full anti-slip		900 x 300	900 x 300 mm

Note: The operational system may protrude on some whirl systems.
Please refer to the Technical Information for Whirl Systems for further information.
Subject to technical alterations, tolerances and errors. Similar illustration.
** 70 litres displacement on average.

KALDEWEI

	Model Order No.	Dimensions cm	Colour price groups				EUR
			I (alpine white)	II	III	IV	
CENTRO DUO 2 Either ALLROUND leg set Mod. 5030 or special leg set Mod. 5032 is mandatory	131 28310001xxxx 135 28350001xxxx	170 x 75 x 47 180 x 80 x 47					
Model with grip holes on one side available without extra charge	xxxx1011xxxx						
ACCESSORIES REQUIRED							
Leg set ALLROUND	5030 581470000000						
Special leg set for CENTRO DUO 2 Mod. 135	5032 581670000000						
and							
Special waste and overflow fitting for CENTRO DUO 2 With enamelled waste cover and enamelled overflow knob	KA 4040 6877208xxxx						
Special waste and overflow fitting for CENTRO DUO 2 With integrated filling function, enamelled waste cover and overflow knob. The KA4041 fitting requires a non return valve. This is not included.	KA 4041 6877210xxxx						
COMFORT-LEVEL with enamelled waste cover and chrome overflow knob	4007 68767003xxxx						
COMFORT-LEVEL PLUS with enamelled waste cover and chrome overflow knob. The 4017 fitting requires a non return valve. This is not included.	4017 68767004xxxx						
OPTIONAL SURFACE FINISHES							
Extra charge for easy-clean finish	xxxxxxxx3xxx						
Anti-slip Anti-slip enamel							
Full anti-slip Full anti-slip enamel							
Please take into account when ordering anti-slip and full anti-slip finish the configuration of the KALDEWEI item number (see page 353). More information can be found on page 168 - 169.							
OPTIONAL ACCESSORIES							
Grip DISCREET OPULENCE Type A (1 grip), see page 160	chrome	590070000999					
SOUND WAVE see page 171	6800 584576000000						
COMFORT SELECT TYPE A Electronic controls with operating panel, chrome for more information see page 154	4500 689720080999						
and							
COMFORT SELECT out and overflow fitting (fully enamelled) For CENTRO DUO 2 without filling function. Further information and also shower hose options s. p. 158 - 159.	4503 68972001xxxx						
COMFORT SELECT out and overflow fitting (fully enamelled) For CENTRO DUO 2 with integrated filling function The 4504 fitting requires a non return valve. This is not included. Further information and also shower hose options s. p. 158 - 159.	4504 68972002xxxx						
Baths incl. wellness-system with easy-clean finish. Pre-assembled in factory. Parts supplied: bath, wellness technology, waste and overflow fittings, leg set. Special equipment whirl systems see page 180. MULTIVERSO panelling system for wellness baths see page 182-183. The whirl system order form is available at www.kaldewei.com							
SKIN TOUCH see page 176	131 135	170 x 75 x 47 180 x 80 x 47					
SKIN TOUCH emotion see page 176	131 135	170 x 75 x 47 180 x 80 x 47					
VIVO TURBO 6 side jets also compatible with COMFORT SELECT	131 135	170 x 75 x 47 180 x 80 x 47					
VIVO TURBO PLUS 6 side jets also compatible with COMFORT SELECT	131 135	170 x 75 x 47 180 x 80 x 47					
VIVO VITA 10 floor jets	131 135	170 x 75 x 47 180 x 80 x 47					
VIVO AQUA ECO 6 side jets	131 135	170 x 75 x 47 180 x 80 x 47					
VIVO AQUA 8 side jets	131 135	170 x 75 x 47 180 x 80 x 47					
VIVO VARIO ECO 8 side jets, 10 floor jets	131 135	170 x 75 x 47 180 x 80 x 47					
VIVO VARIO PLUS 8 side jets, 10 floor jets + 2 microjets each in the back and foot area	131 135	170 x 75 x 47 180 x 80 x 47					

* Colour price group IV: alpine white matt (from 01.04.), city-anthracite matt, lava black matt, seashell cream matt, oyster grey matt.
Baths in colour price group IV are not available with easy-clean, anti-slip or full anti-slip finish or whirl system.

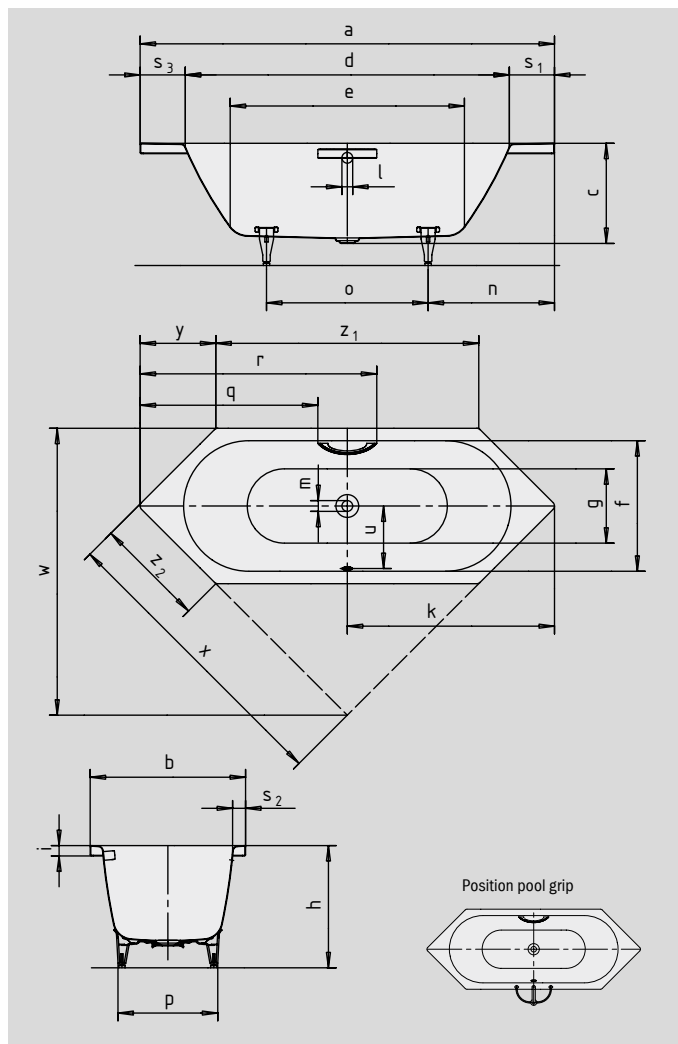
CENTRO DUO 6

- pure simplicity and unpretentious elegance are what distinguish these baths
- bathing with a friend: two identical back rests and centrally positioned waste
- diverse installation possibilities, also corner installation
- made of KALDEWEI steel enamel
- enamelled waste cover and overflow knob integrated in the bath design



Similar illustration

To order the bath with pre-drilled grip holes on one side, please order model xxxx**1011**xxxx.



GRIP DISCREET OPULENCE



Model No.		134
External length	a	2000 mm
External width	b	750 mm
Depth	c	485 mm
Internal length (top)	d	1580 mm
Internal length (bottom)	e	1130 mm
Internal width (top)	f	630 mm
Internal width (bottom)	g	510 mm
Height with feet	h	605-640 mm
Height of rim	i	50 mm
Distance top edge to centre of overflow hole	j	70 mm
Distance bath edge to centre of drain hole	k	1000 mm
Diameter of overflow hole	l	52 mm
Diameter of drain hole	m	52 mm
Distance foot end of bath edge to centre of foot	n	710 mm
Distance between the feet	o	580 mm
Max. width of feet	p	465 mm
Distance bath edge to where grip/handle starts	q	858 mm
Distance bath edge to where grip/handle ends	r	1142 mm
Width of rim (foot end; lengthwise; head end)	S ₁ ; S ₂ ; S ₃	218; 60; 218 mm
Distance between centre holes	u	307 mm
Installation dimension	w	1335 mm
Side length; Oblique	x; y	1425; 365 mm
Side length	Z ₁ ; Z ₂	1270; 530 mm
Water volume** in litres		156
Weight of the enamelled bath in kg		53
Anti-slip		∅ 435 mm
Full anti-slip		900 x 300 mm

Note: The operational system may protrude on some whirl systems.
Please refer to the Technical Information for Whirl Systems for further information.
Subject to technical alterations, tolerances and errors. Similar illustration.
** 70 litres displacement on average.

KALDEWEI

	Model Order No.	Dimensions cm	Colour price groups				EUR
			I (alpine white)	II	III	IV	
CENTRO DUO 6 ALLROUND leg set Mod. 5030 is mandatory	134 28340001xxxx	200 x 75 x 47					
Model with grip holes on one side available without extra charge	xxxx1011xxxx						
ACCESSORIES REQUIRED							
Leg set ALLROUND	5030 581470000000						
and							
Special waste and overflow fitting for CENTRO DUO 6 With enamelled waste cover and enamelled overflow knob	KA 4040 6877208xxxx						
Special waste and overflow fitting for CENTRO DUO 6 With integrated filling function, enamelled waste cover and overflow knob. The KA4041 fitting requires a non return valve. This is not included.	KA 4041 6877210xxxx						
COMFORT-LEVEL with enamelled waste cover and chrome overflow knob	4007 68767003xxxx						
COMFORT-LEVEL PLUS with enamelled waste cover and chrome overflow knob The 4017 fitting requires a non return valve. This is not included.	4017 68767004xxxx						
OPTIONAL SURFACE FINISHES							
Extra charge for easy-clean finish	xxxxxxx3xxx						
Anti-slip Anti-slip enamel							
Full anti-slip Full anti-slip enamel							
Please take into account when ordering anti-slip and full anti-slip finish the configuration of the KALDEWEI item number (see page 353). More information can be found on page 168 - 169.							
OPTIONAL ACCESSORIES							
Grip DISCREET OPULENCE Type A (1 grip), see page 160	chrome	59007000999					
SOUND WAVE see page 171	6800 584576000000						
COMFORT SELECT TYPE A Electronic controls with operating panel, chrome for more information see page 154	4500 689720080999						
and							
COMFORT SELECT out and overflow fitting (fully enamelled) For CENTRO DUO 6 without filling function. Further information and also shower hose options s. p. 158 - 159.	4503 68972001xxxx						
COMFORT SELECT out and overflow fitting (fully enamelled) For CENTRO DUO 6 with integrated filling function The 4504 fitting requires a non return valve. This is not included. Further information and also shower hose options s. p. 158 - 159.	4504 68972002xxxx						

Baths incl. wellness-system with easy-clean finish.

Pre-assembled in factory. **Parts supplied: bath, wellness technology, waste and overflow fittings, leg set.**
Special equipment whirl systems see page 180. MULTIVERSO panelling system for wellness baths see page 182 - 183. The whirl system order form is available at www.kaldewei.com

SKIN TOUCH see page 176	134	200 x 75 x 47					
SKIN TOUCH emotion see page 176	134	200 x 75 x 47					
VIVO TURBO 6 side jets also compatible with COMFORT SELECT	134	200 x 75 x 47					
VIVO TURBO PLUS 6 side jets also compatible with COMFORT SELECT	134	200 x 75 x 47					
VIVO VITA 10 floor jets	134	200 x 75 x 47					
VIVO AQUA ECO 6 side jets	134	200 x 75 x 47					
VIVO AQUA 8 side jets	134	200 x 75 x 47					
VIVO VARIO ECO 8 side jets, 10 floor jets	134	200 x 75 x 47					
VIVO VARIO PLUS 8 side jets, 10 floor jets + 2 microjets each in the back and foot area	134	200 x 75 x 47					

* Colour price group IV: alpine white matt (from 01.04.), city-anthracite matt, lava black matt, seashell cream matt, oyster grey matt.
Baths in colour price group IV are not available with easy-clean, anti-slip or full anti-slip finish or whirl system.

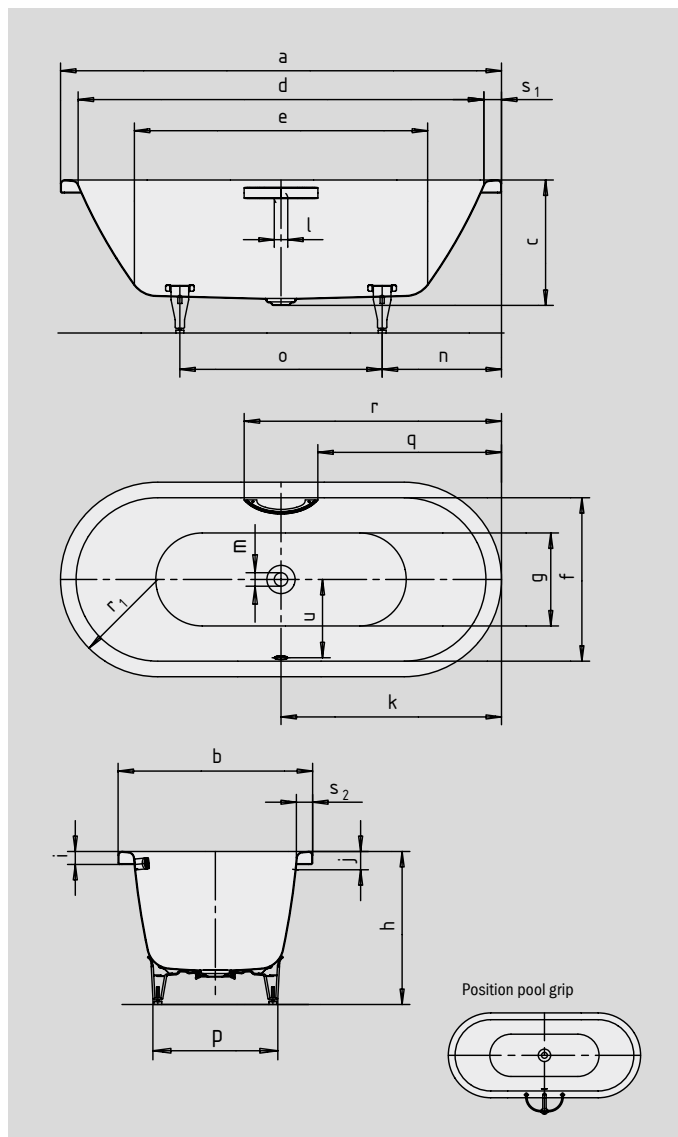
CENTRO DUO OVAL

- pure simplicity and unpretentious elegance are what distinguish these baths
- bathing with a friend: two identical back rests and centrally positioned waste
- made of KALDEWEI steel enamel
- enamelled waste cover and overflow knob integrated in the bath design



Similar illustration

To order the bath with pre-drilled grip holes on one side, please order model xxxx**1011**xxxx.



GRIP DISCREET OPULENCE



SKIN TOUCH

SOUND WAVE

COMFORT SELECT

Model No.		127	128
External length	a	1700	1800 mm
External width	b	750	800 mm
Depth	c	485	485 mm
Internal length (top)	d	1580	1680 mm
Internal length (bottom)	e	1130	1230 mm
Internal width (top)	f	630	680 mm
Internal width (bottom)	g	510	560 mm
Height with feet	h	605-640	595-630 mm
Height of rim	i	50	50 mm
Distance top edge to centre of overflow hole	j	70	70 mm
Distance bath edge to centre of drain hole	k	850	900 mm
Diameter of overflow hole	l	52	52 mm
Diameter of drain hole	m	52	52 mm
Distance foot end of bath edge to centre of foot	n	560	600 mm
Distance between the feet	o	580	600 mm
Max. width of feet	p	465	540 mm
Distance bath edge to where grip/handle starts	q	708	758 mm
Distance bath edge to where grip/handle ends	r	992	1042 mm
Radius	r ₁	375	400 mm
Width of rim (foot end; lengthwise)	s ₁ ; s ₂	60; 60	60; 60 mm
Distance between centre holes	u	307	332 mm
Water volume** in litres		156	195
Weight of the enamelled bath in kg		49	-
Anti-slip		Ø 435	Ø 435 mm
Full anti-slip		900 x 300	900 x 300 mm

Note: The operational system may protrude on some whirl systems.
Please refer to the Technical Information for Whirl Systems for further information.
Subject to technical alterations, tolerances and errors. Similar illustration.
** 70 litres displacement on average.

KALDEWEI

	Model Order No.	Dimensions cm	Colour price groups				EUR
			I (alpine white)	II	III	IV	
CENTRO DUO OVAL ALLROUND leg set Mod. 5030 is mandatory optional special leg set Mod. 5032	127 28270001xxxx	170 x 75 x 47					
	128 28280001xxxx	180 x 80 x 47					
Model with grip holes on one side available without extra charge	xxxx101Ixxxx						
ACCESSORIES REQUIRED							
Leg set ALLROUND	5030 581470000000						
Special leg set for CENTRO DUO OVAL Mod. 128	5032 581670000000						
and							
Special waste and overflow fitting for CENTRO DUO OVAL With enamelled waste cover and enamelled overflow knob	KA 4040 6877208xxxx						
Special waste and overflow fitting for CENTRO DUO OVAL With integrated filling function, enamelled waste cover and enamelled overflow knob. The KA4041 fitting requires a non return valve. This is not included.	KA 4041 6877210xxxx						
COMFORT-LEVEL with enamelled waste cover and chrome overflow knob	4007 68767003xxxx						
COMFORT-LEVEL PLUS with enamelled waste cover and chrome overflow with integrated filler. The 4017 fitting requires a non return valve. This is not included.	4017 68767004xxxx						
OPTIONAL SURFACE FINISHES							
Extra charge for easy-clean finish	xxxxxxx3xxx						
Anti-slip Anti-slip enamel							
Full anti-slip Full anti-slip enamel							
Please take into account when ordering anti-slip and full anti-slip finish the configuration of the KALDEWEI item number (see page 353). More information can be found on page 168 - 169.							
OPTIONAL ACCESSORIES							
Grip DISCREET OPULENCE Type A (1 grip), see page 160	chrome	590070000999					
SOUND WAVE see page 171	6800 584576000000						
COMFORT SELECT TYPE A Electronic controls with operating panel, chrome for more information see page 154	4500 689720080999						
and							
COMFORT SELECT out and overflow fitting (fully enamelled) For CENTRO DUO OVAL without filling function. Further information and also shower hose options s. p. 158 - 159.	4503 68972001xxxx						
COMFORT SELECT out and overflow fitting (fully enamelled) For CENTRO DUO OVAL with integrated filling function The 4504 fitting requires a non return valve. This is not included. Further information and also shower hose options s. p. 158 - 159.	4504 68972002xxxx						

Baths incl. wellness-system with easy-clean finish.

Pre-assembled in factory. **Parts supplied: bath, wellness technology, waste and overflow fittings, leg set.**

Special equipment whirl systems see page 180. MULTIVERSO panelling system for wellness baths see page 182 - 183. The whirl system order form is available at www.kaldewei.com

SKIN TOUCH see page 176	127	170 x 75 x 47				
	128	180 x 80 x 47				
SKIN TOUCH emotion see page 176	127	170 x 75 x 47				
	128	180 x 80 x 47				
VIVO TURBO 6 side jets also compatible with COMFORT SELECT	127	170 x 75 x 47				
	128	180 x 80 x 47				
VIVO TURBO PLUS 6 side jets also compatible with COMFORT SELECT	127	170 x 75 x 47				
	128	180 x 80 x 47				
VIVO VITA 10 floor jets	127	170 x 75 x 47				
	128	180 x 80 x 47				
VIVO AQUA ECO 6 side jets	127	170 x 75 x 47				
	128	180 x 80 x 47				
VIVO AQUA 8 side jets	127	170 x 75 x 47				
	128	180 x 80 x 47				
VIVO VARIO ECO 8 side jets, 10 floor jets	127	170 x 75 x 47				
	128	180 x 80 x 47				
VIVO VARIO PLUS 8 side jets, 10 floor jets + 2 microjets each in the back and foot area	127	170 x 75 x 47				
	128	180 x 80 x 47				

* Colour price group IV: alpine white matt (from 01.04.), city-anthracite matt, lava black matt, seashell cream matt, oyster grey matt.

Baths in colour price group IV are not available with easy-clean, anti-slip or full anti-slip finish or whirl system.

Caution! Disinfection system has to be installed externally! Further information can be found on our website www.kaldewei.com

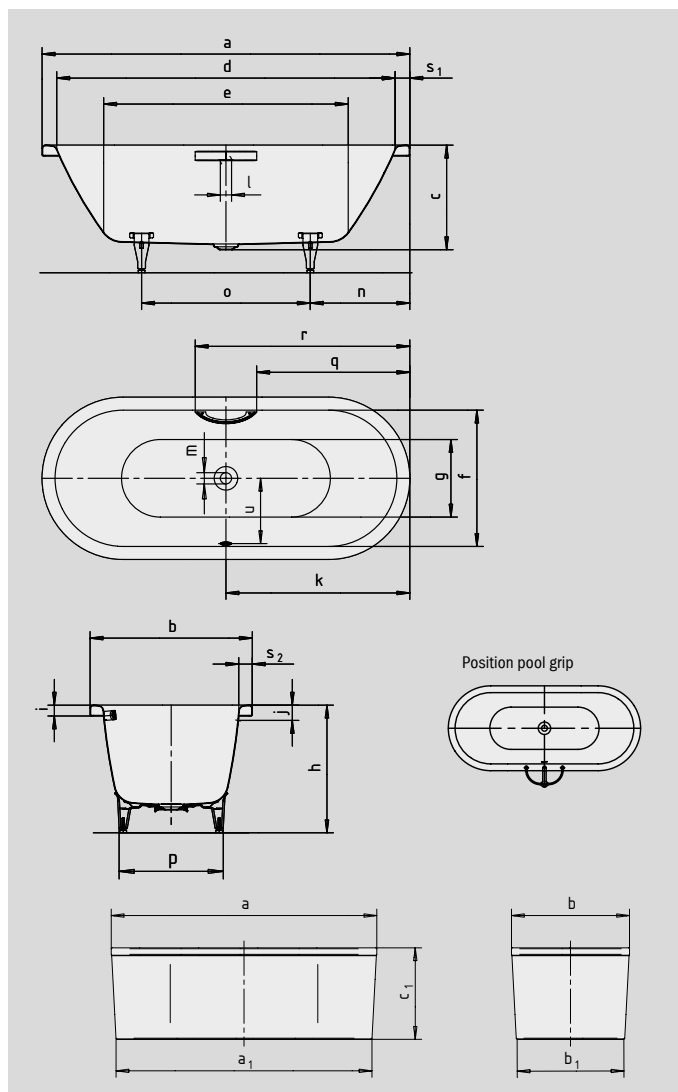
CENTRO DUO OVAL WITH MOULDED PANEL

- pure simplicity and unpretentious elegance are what distinguish these baths
- bathing with a friend: two identical back rests and centrally positioned waste
- made of KALDEWEI steel enamel
- the moulded panel emphasizes the high design standard and means the bath can be free-standing
- enamelled waste cover and overflow knob integrated in the bath design



Similar illustration

To order the bath with pre-drilled grip holes on one side, please order model xxx1011xxx.

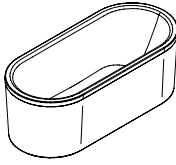


GRIP DISCREET OPULENCE



Model No.		127-7	128-7
External length	a	1700	1800 mm
External length (bottom)	a ₁	1635	1735 mm
External width	b	750	800 mm
External width (bottom)	b ₁	685	735 mm
Depth	c	485	485 mm
Overall height with panel	c ₁	620	620 mm
Internal length (top)	d	1580	1680 mm
Internal length (bottom)	e	1130	1230 mm
Internal width (top)	f	630	680 mm
Internal width (bottom)	g	510	560 mm
Height of rim	i	50	50 mm
Distance top edge to centre of overflow hole	j	70	70 mm
Distance bath edge to centre of drain hole	k	850	900 mm
Diameter of overflow hole	l	52	52 mm
Diameter of drain hole	m	52	52 mm
Distance foot end of bath edge to centre of foot	n	560	600 mm
Distance between the feet	o	580	600 mm
Max. width of feet	p	465	540 mm
Distance bath edge (foot end) to where grip/handle starts	q	708	758 mm
Distance bath edge (foot end) to where grip/handle ends	r	992	1042 mm
Width of rim (foot end; lengthwise)	s ₁ ; s ₂	60; 60	60; 60 mm
Distance between centre holes	u	307	332 mm
Water volume** in litres		156	195
Weight of the enamelled bath in kg		86	95
Anti-slip		Ø 435	Ø 435 mm
Full anti-slip		900 x 300	900 x 300 mm

Note: The operational system may protrude on some whirl systems.
Please refer to the Technical Information for Whirl Systems for further information.
Subject to technical alterations, tolerances and errors. Similar illustration.
** 70 litres displacement on average.

	Model Order No.	Dimensions cm	Colour price groups				EUR
			I (alpine white)	II	III	IV	
CENTRO DUO OVAL with moulded panel** flexible waste hose and ALLROUND leg set Mod. 5030 included  flexible waste hose and special leg set Mod. 5032 included	127-7 2827 4805 xxxx	170 x 75 x 47					
	128-7 2828 4805 xxxx	180 x 80 x 47					
** Panel colours: alpine white, aegean, edelweiss, natura V+B, star white, alpine white matt (from 01.04.), lava black matt, city-anthracite matt, seashell cream matt, oyster grey matt, manhattan, pergamon, black (colour code and colour price group see page 170)							
Model with grip holes on one side available without extra charge xxxxx 1011 xxxx							
ACCESSORIES REQUIRED							
Special waste and overflow fitting for CENTRO DUO OVAL with enamelled waste cover and enamelled overflow knob		KA 4040 6877 7208 xxxx					
Special waste and overflow fitting for CENTRO DUO OVAL With integrated filling function, enamelled waste cover and enamelled overflow knob. The KA4041 fitting requires a non return valve. This is not included.		KA 4041 6877 7210 xxxx					
COMFORT-LEVEL with enamelled waste cover and chrome overflow knob		4007 6876 7003 xxxx					
COMFORT-LEVEL PLUS with enamelled waste cover and chrome overflow with integrated filler. The 4017 fitting requires a non return valve. This is not included.		4017 6876 7004 xxxx					
OPTIONAL SURFACE FINISHES							
Extra charge for easy-clean finish		xxxxxxx 3 xxx					
Anti-slip Anti-slip enamel							
Full anti-slip Full anti-slip enamel							
Please take into account when ordering anti-slip and full anti-slip finish the configuration of the KALDEWEI item number (see page 353). More information can be found on page 168 - 169.							
OPTIONAL ACCESSORIES							
Grip DISCREET OPULENCE Type A (1 grip), see page 160		chrome	5900 7000 0999				
SOUND WAVE see page 171		6800 5845 7600 0000					
COMFORT SELECT TYPE B, for free-standing installation Electronic controls with operating panel, chrome for more information see page 154		4511 6897 2011 0999					
and							
COMFORT SELECT out and overflow fitting (fully enamelled) For CENTRO DUO OVAL without filling function. Further information and also shower hose options s. p. 158- 159.		4503 6897 2001 xxxx					
COMFORT SELECT out and overflow fitting (fully enamelled) For CENTRO DUO OVAL with integrated filling function The 4504 fitting requires a non return valve. This is not included. Further information and also shower hose options s. p. 158- 159.		4504 6897 2002 xxxx					
Baths incl. wellness-system with easy-clean finish. Pre-assembled in factory. Parts supplied: bath, wellness technology, waste and overflow fittings, leg set. Special equipment whirl systems see page 180. MULTIVERSO panelling system for wellness baths see page 182 - 183. The whirl system order form is available at www.kaldewei.com							
VIVO VITA with additional panel, 10 floor jets with additional panel, 10 floor jets		127-7 128-7	170 x 75 x 47 180 x 80 x 47				

* Colour price group IV: alpine white matt (from 01.04.), city-anthracite matt, lava black matt, seashell cream matt, oyster grey matt.

Baths in colour price group IV are not available with easy-clean, anti-slip or full anti-slip finish or whirl system.

Caution! Disinfection system has to be installed externally! Further information can be found on our website www.kaldewei.com

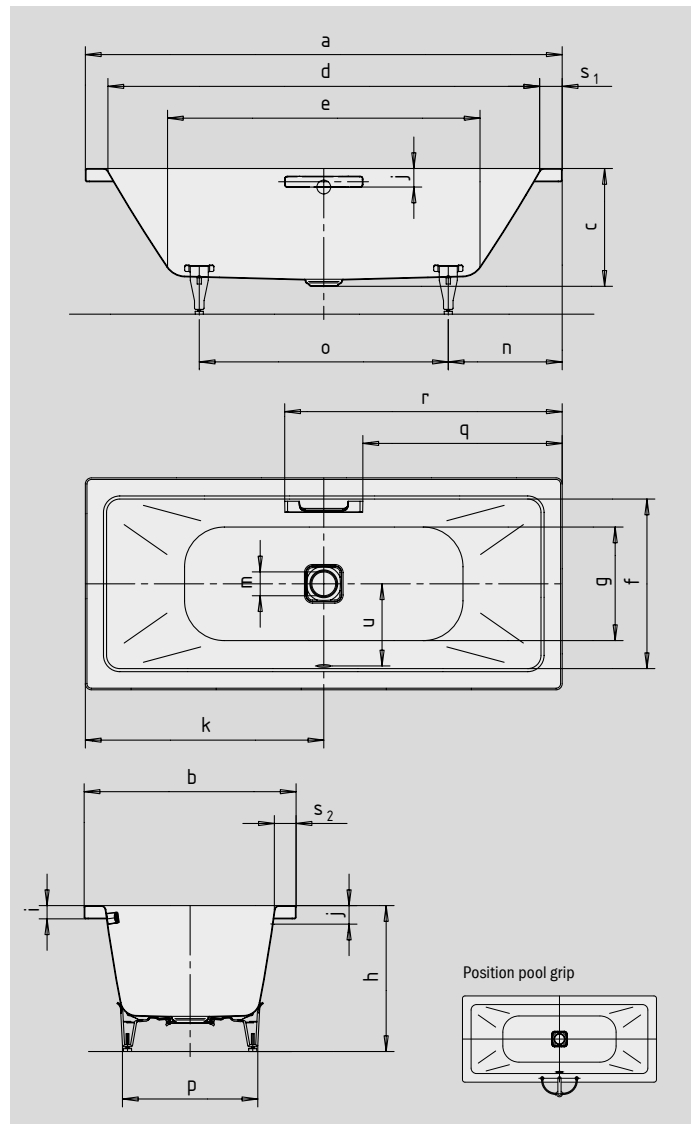
CONODUO

- straightlined, purist design
- enamelled waste cover and overflow knob integrated in the bath design
- bathing with a friend: two identical back rests and centrally positioned waste
- classic four-cornered model
- made of KALDEWEI steel enamel
- designed by Sottsass Associati
- also available in black

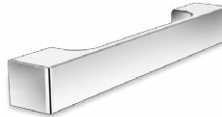


Similar illustration

To order the bath with pre-drilled grip holes on one side, please order model xxxx**1011**xxxx.



GRIP ELEGANT PURISM



Model No.		732	733
External length	a	1700	1800 mm
External width	b	750	800 mm
Depth	c	445	445 mm
Internal length (top)	d	1540	1640 mm
Internal length (bottom)	e	1080	1180 mm
Internal width (top)	f	590	640 mm
Internal width (bottom)	g	470	520 mm
Height with feet	h	565-600	555-590 mm
Height of rim	i	50	50 mm
Distance top edge to centre of overflow hole	j	70	70 mm
Distance bath edge to centre of drain hole	k	850	900 mm
Diameter of overflow hole	l	52	52 mm
Diameter of drain hole	m	90	90 mm
Distance foot end of bath edge to centre of foot	n	555	555 mm
Distance between the feet	o	590	690 mm
Max. width of feet	p	445	515 mm
Distance bath edge to where grip/handle starts	q	702,5	752,5 mm
Distance bath edge to where grip/handle ends	r	997,5	1047,5 mm
Width of rim (foot end; lengthwise)	s ₁ ; s ₂	80; 80	80; 80 mm
Distance between centre holes	u	285	310 mm
Water volume** in litres		122	159
Weight of the enamelled bath in kg		52	57
Anti-slip		356 x 356	404 x 404 mm
Full anti-slip		788 x 356	884 x 404 mm

Subject to technical alterations, tolerances and errors. Similar illustration.
 ** 70 litres displacement on average.

	Model Order No.	Dimensions cm	Colour price groups				EUR
			I (alpine white)	II	III	IV	
CONODUO Special waste and overflow fitting or COMFORT-LEVEL mandatory for CONODUO optional special leg set Mod. 5037	732 2350 0001 xxxx 733 2351 0001 xxxx	170 x 75 x 43 180 x 80 x 43					
Model with grip holes on one side available without extra charge	xxxx 1011 xxxx						
ACCESSORIES REQUIRED							
Special leg set for CONODUO	5037 5831 7000 0000						
and							
Special waste and overflow fitting for CONODUO with enamelled waste cover and enamelled overflow knob	KA 4080 6877 7200 xxxx						
Special waste and overflow fitting for CONODUO With integrated filling function, enamelled waste cover and enamelled overflow knob. The KA4081 fitting requires a non return valve. This is not included.	KA 4081 6877 7202 xxxx						
COMFORT-LEVEL CONODUO with enamelled waste cover and chrome overflow knob	4004 6877 7067 xxxx						
COMFORT-LEVEL PLUS CONODUO with enamelled waste cover and chrome overflow knob. The 4014 fitting requires a non return valve. This is not included.	4014 6877 7068 xxxx						
OPTIONAL SURFACE FINISHES							
Extra charge for easy-clean finish	xxxxxxx3xxx						
Anti-slip Anti-slip enamel							
Full anti-slip Full anti-slip enamel							
Please take into account when ordering anti-slip and full anti-slip finish the configuration of the KALDEWEI item number (see page 353). More information can be found on page 168 - 169.							
OPTIONAL ACCESSORIES							
Grip ELEGANT PURISM Type A (1 grip), see page 160	chrome	5904 7000 0999					
SOUND WAVE see page 171	6800 5845 7600 0000						
COMFORT SELECT TYPE A Electronic controls with operating panel, chrome for more information see page 154	4500 6897 2008 0999						
and							
COMFORT SELECT out and overflow fitting (fully enamelled) For CONODUO without filling function. Further information and also shower hose options s. p. 158 - 159.	4507 6897 2005 xxxx						
COMFORT SELECT out and overflow fitting (fully enamelled) For CONODUO model with integrated filling function. The 4508 fitting requires a non return valve. This is not included. Further information and also shower hose options s. p. 158 - 159.	4508 6897 2006 xxxx						
Baths incl. wellness-system with easy-clean finish. Pre-assembled in factory. Parts supplied: bath, wellness technology, waste and overflow fittings, leg set. Special equipment whirl systems see page 180. MULTIVERSO panelling system for wellness baths see page 182 - 183. The whirl system order form is available at www.kaldewei.com							
SKIN TOUCH see page 176	732 733	170 x 75 x 43 180 x 80 x 43					
SKIN TOUCH emotion see page 176	732 733	170 x 75 x 43 180 x 80 x 43					
VIVO TURBO 6 side jets also compatible with COMFORT SELECT	732 733	170 x 75 x 43 180 x 80 x 43					
VIVO TURBO PLUS 6 side jets also compatible with COMFORT SELECT	732 733	170 x 75 x 43 180 x 80 x 43					
VIVO VITA 10 floor jets 12 floor jets	732 733	170 x 75 x 43 180 x 80 x 43					
VIVO AQUA 8 side jets	732 733	170 x 75 x 43 180 x 80 x 43					
VIVO VARIO ECO 8 side jets, 10 floor jets 8 side jets, 12 floor jets	732 733	170 x 75 x 43 180 x 80 x 43					
VIVO VARIO PLUS 8 side jets, 10 floor jets + 2 microjets each in the back and foot area 8 side jets, 12 floor jets + 2 microjets each in the back and foot area	732 733	170 x 75 x 43 180 x 80 x 43					

* Colour price group IV: alpine white matt (from 01.04.), city-anthracite matt, lava black matt, seashell cream matt, oyster grey matt.
Baths in colour price group IV are not available with easy-clean, anti-slip or full anti-slip finish or whirl system. CONODUO designed by Sottsass Associati

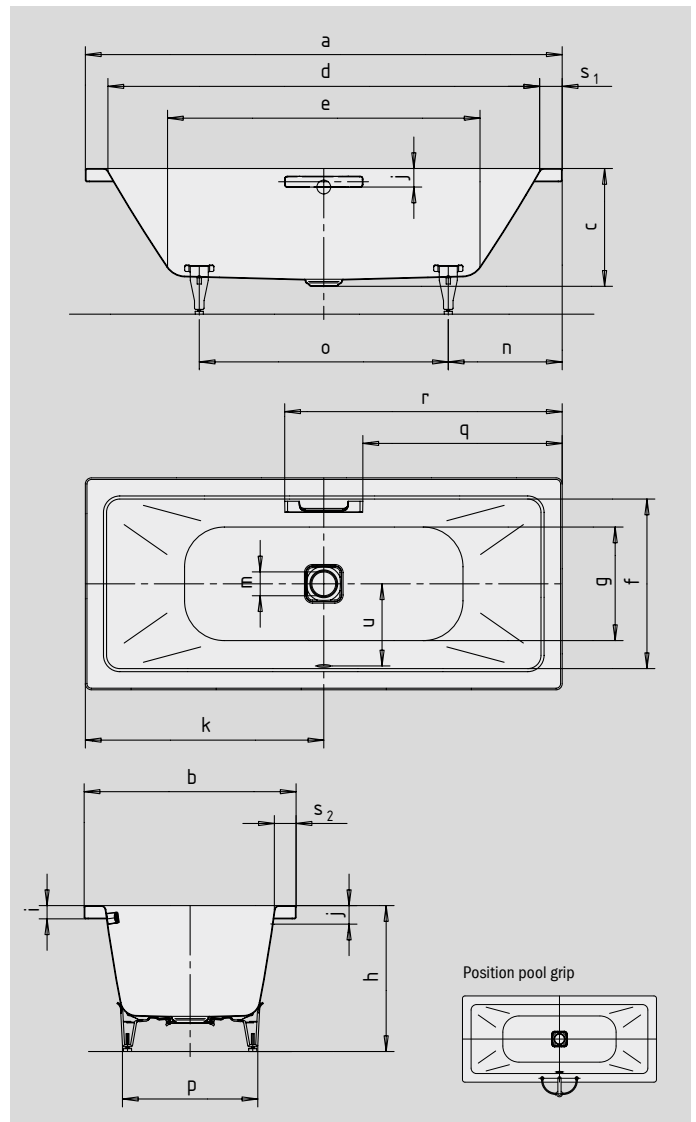
CONODUO

- straightlined, purist design
- enamelled waste cover and overflow knob integrated in the bath design
- bathing with a friend: two identical back rests and centrally positioned waste
- classic four-cornered model
- made of KALDEWEI steel enamel
- designed by Sottsass Associati
- also available in black

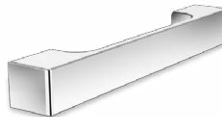


Similar illustration

To order the bath with pre-drilled grip holes on one side, please order model xxxx**1011**xxxx.



GRIP ELEGANT PURISM



Model No.		734	735
External length	a	1900	2000 mm
External width	b	900	1000 mm
Depth	c	445	445 mm
Internal length (top)	d	1740	1800 mm
Internal length (bottom)	e	1280	1340 mm
Internal width (top)	f	740	800 mm
Internal width (bottom)	g	620	680 mm
Height with feet	h	555-590	555-590 mm
Height of rim	i	50	50 mm
Distance top edge to centre of overflow hole	j	70	70 mm
Distance bath edge to centre of drain hole	k	950	1000 mm
Diameter of overflow hole	l	52	52 mm
Diameter of drain hole	m	90	90 mm
Distance foot end of bath edge to centre of foot	n	570	620 mm
Distance between the feet	o	760	760 mm
Max. width of feet	p	610	675 mm
Distance bath edge to where grip/handle starts	q	802,5	852,5 mm
Distance bath edge to where grip/handle ends	r	1097,5	1147,5 mm
Width of rim (foot end; lengthwise)	s ₁ ; s ₂	80; 80	100; 100 mm
Distance between centre holes	u	360	390 mm
Water volume** in litres		220	260
Weight of the enamelled bath in kg		66	75
Anti-slip		500 x 500	500 x 500 mm
Full anti-slip		980 x 500	980 x 500 mm

Subject to technical alterations, tolerances and errors. Similar illustration.
** 70 litres displacement on average.

KALDEWEI

	Model Order No.	Dimensions cm	Colour price groups				EUR
			I (alpine white)	II	III	IV	
CONODUO Special waste and overflow fitting or COMFORT-LEVEL mandatory for CONODUO optional special leg set Mod. 5037	734 2352 0001 xxxx 735 2353 0001 xxxx	190 x 90 x 43 200 x 100 x 43					
Model with grip holes on one side available without extra charge	xxxx 1011 xxxx						
ACCESSORIES REQUIRED							
Special leg set for CONODUO	5037 5831 7000 0000						
and							
Special waste and overflow fitting for CONODUO with enamelled waste cover and enamelled overflow knob	KA 4080 6877 7200 xxxx						
Special waste and overflow fitting for CONODUO With integrated filling function, enamelled waste cover and enamelled overflow knob. The KA4081 fitting requires a non return valve. This is not included.	KA 4081 6877 7202 xxxx						
COMFORT-LEVEL CONODUO with enamelled waste cover and chrome overflow knob	4004 6877 7067 xxxx						
COMFORT-LEVEL PLUS CONODUO with enamelled waste cover and chrome overflow knob. The 4014 fitting requires a non return valve. This is not included.	4014 6877 7068 xxxx						
OPTIONAL SURFACE FINISHES							
Extra charge for easy-clean finish	xxxxxxx3xxx						
Anti-slip Anti-slip enamel							
Full anti-slip Full anti-slip enamel							
Please take into account when ordering anti-slip and full anti-slip finish the configuration of the KALDEWEI item number (see page 354). More information can be found on page 294 - 297.							
OPTIONAL ACCESSORIES							
Grip ELEGANT PURISM Type A (1 grip), see page 160	chrome	5904 7000 0999					
SOUND WAVE see page 171	6800 5845 7600 0000						
COMFORT SELECT TYPE A Electronic controls with operating panel, chrome for more information see page 154	4500 6897 2008 0999						
and							
COMFORT SELECT out and overflow fitting (fully enamelled) For CONODUO without filling function. Further information and also shower hose options s. p. 158 - 159.	4507 6897 2005 xxxx						
COMFORT SELECT out and overflow fitting (fully enamelled) For CONODUO model with integrated filling function. The 4508 fitting requires a non return valve. This is not included. Further information and also shower hose options s. p. 158 - 159.	4508 6897 2006 xxxx						

Baths incl. wellness-system with easy-clean finish.

Pre-assembled in factory. **Parts supplied: bath, wellness technology, waste and overflow fittings, leg set.**

Special equipment whirl systems see page 180. MULTIVERSO panelling system for wellness baths see page 182 - 183. The whirl system order form is available at www.kaldewei.com

SKIN TOUCH see page 176	734 735	190 x 90 x 43 200 x 100 x 43					
SKIN TOUCH emotion see page 176	734 735	190 x 90 x 43 200 x 100 x 43					
VIVO TURBO 6 side jets also compatible with COMFORT SELECT	734 735	190 x 90 x 43 200 x 100 x 43					
VIVO TURBO PLUS 6 side jets also compatible with COMFORT SELECT	734 735	190 x 90 x 43 200 x 100 x 43					
VIVO VITA 12 floor jets	734 735	190 x 90 x 43 200 x 100 x 43					
VIVO AQUA 8 side jets	734 735	190 x 90 x 43 200 x 100 x 43					
VIVO VARIO ECO 8 side jets, 12 floor jets	734 735	190 x 90 x 43 200 x 100 x 43					
VIVO VARIO PLUS 8 side jets, 12 floor jets + 2 microjets each in the back and foot area	734 735	190 x 90 x 43 200 x 100 x 43					

* Colour price group IV: alpine white matt (from 01.04.), city-anthracite matt, lava black matt, seashell cream matt, oyster grey matt.

Baths in colour price group IV are not available with easy-clean, anti-slip or full anti-slip finish or whirl system. CONODUO designed by Sottsass Associati

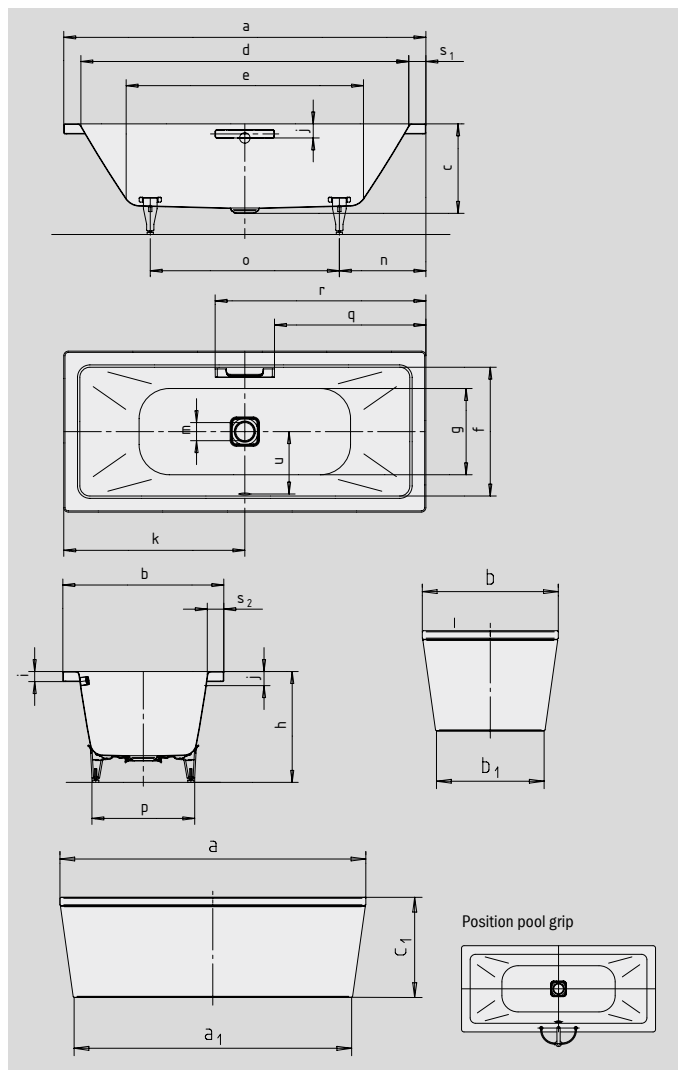
CONODUO WITH MOULDED PANEL

- straight-lined, purist design
- enamelled waste cover and overflow knob integrated in the bath design
- bathing with a friend: two identical sloping back rests and centrally positioned waste
- classic rectangular model
- made of KALDEWEI steel enamel
- the moulded panel emphasizes the high design standard and means the bath can be free-standing
- designed by Sottsass Associati

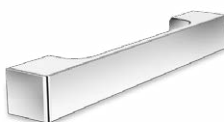


Similar illustration

To order the bath with pre-drilled grip holes on one side, please order model xxxx**1011**xxxx.



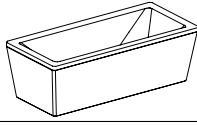
GRIP ELEGANT PURISM



Model No.		733-7	734-7	735-7
External length	a	1800	1900	2000 mm
External length (bottom)	a ₁	1633	1733	1833 mm
External width	b	800	900	1000 mm
External width (bottom)	b ₁	633	733	833 mm
Depth	c	445	445	445 mm
Overall height with panel	c ₁	590	590	590 mm
Internal length (top)	d	1640	1740	1800 mm
Internal length (bottom)	e	1180	1280	1340 mm
Internal width (top)	f	640	740	800 mm
Internal width (bottom)	g	520	620	680 mm
Height of rim	i	50	50	50 mm
Distance top edge to centre of overflow hole	j	70	70	70 mm
Distance bath edge to centre of drain hole	k	900	950	1000 mm
Diameter of overflow hole	l	52	52	52 mm
Diameter of drain hole	m	90	90	90 mm
Distance foot end of bath edge to centre of foot	n	555	570	620 mm
Distance between the feet	o	690	760	760 mm
Max. width of feet	p	515	610	675 mm
Distance bath edge to where grip/handle starts	q	752,5	802,5	852,5 mm
Distance bath edge to where grip/handle ends	r	1047,5	1097,5	1147,5 mm
Width of rim (foot end; lengthwise)	s ₁ ; s ₂	80; 80	80; 80	100; 100 mm
Distance between centre holes	u	310	360	390 mm
Water volume** in litres		159	220	260
Weight of the enamelled bath in kg		85	100	113
Anti-slip		404 x 404	500 x 500	500 x 500 mm
Full anti-slip		884 x 404	980 x 500	980 x 500 mm

Subject to technical alterations, tolerances and errors. Similar illustration.
** 70 litres displacement on average.

KALDEWEI

	Model Order No.	Dimensions cm	Colour price groups				EUR
			I (alpine white)	II	III	IV	
CONODUO with moulded panel** Special waste and overflow fitting or COMFORT-LEVEL mandatory for CONODUO incl. flexible waste hose and special leg set Mod. 5037 	733-7 2351 4805 xxxx	180 x 80 x 43					
	734-7 2352 4805 xxxx	190 x 90 x 43					
	735-7 2353 4805 xxxx	200 x 100 x 43					
** Panel colours: alpine white, aegean, edelweiss, natura V+B, star white, alpine white matt (from 01.04.), lava black matt, city-anthracite matt, seashell cream matt, oyster grey matt, manhattan, pergamon, black (colour code and colour price group see page 170)							
Model with grip holes on one side available without extra charge	xxxx 1011 xxxx						
ACCESSORIES REQUIRED							
Special waste and overflow fitting for CONODUO with enamelled waste cover and enamelled overflow knob	KA 4080 6877 7200 xxxx						
Special waste and overflow fitting for CONODUO With integrated filling function, enamelled waste cover and overflow knob. The KA4081 fitting requires a non return valve. This is not included.	KA 4081 6877 7202 xxxx						
COMFORT-LEVEL CONODUO with enamelled waste cover and chrome overflow knob	4004 6877 7067 xxx						
COMFORT-LEVEL PLUS CONODUO with enamelled waste cover and chrome overflow knob The 4014 fitting requires a non return valve. This is not included.	4014 6877 7068 xxxx						
OPTIONAL SURFACE FINISHES							
Extra charge for easy-clean finish	xxxxxxx 3 xxx						
Anti-slip Anti-slip enamel							
Full anti-slip Full anti-slip enamel							
Please take into account when ordering anti-slip and full anti-slip finish the configuration of the KALDEWEI item number (see page 353). More information can be found on page 168 - 169.							
OPTIONAL ACCESSORIES							
Grip ELEGANT PURISM Type A (1 grip), see page 160	chrome	5904 7000 999					
SOUND WAVE see page 171	6800 5845 7600 0000						
COMFORT SELECT TYPE B, for free-standing installation Electronic controls with operating panel, chrome for more information see page 154	4511 6897 2011 0999						
and							
COMFORT SELECT out and overflow fitting (fully enamelled) For CONODUO without filling function. Further information and also shower hose options s. p. 158 - 159.	4507 6897 2005 xxxx						
COMFORT SELECT out and overflow fitting (fully enamelled) For CONODUO with filling function. The 4508 fitting requires a non return valve. This is not included. Further information and also shower hose options s. p. 158 - 159.	4508 6897 2006 xxxx						
Baths incl. wellness-system with easy-clean finish. Pre-assembled in factory. Parts supplied: bath, whirl technology (visible parts in chrome), waste and overflow fittings, leg set. Special equipment whirl systems see page 180. MULTIVERSO panelling system for wellness baths see page 182 - 183. The whirl system order form is available at www.kaldewei.com							
VIVO VITA 12 floor jets	733-7 734-7 735-7	180 x 80 x 43 190 x 90 x 43 200 x 100 x 43					

* Colour price group IV: alpine white matt (from 01.04.), city-anthracite matt, lava black matt, seashell cream matt, oyster grey matt.
Baths in colour price group IV are not available with easy-clean, anti-slip or full anti-slip finish or whirl system.

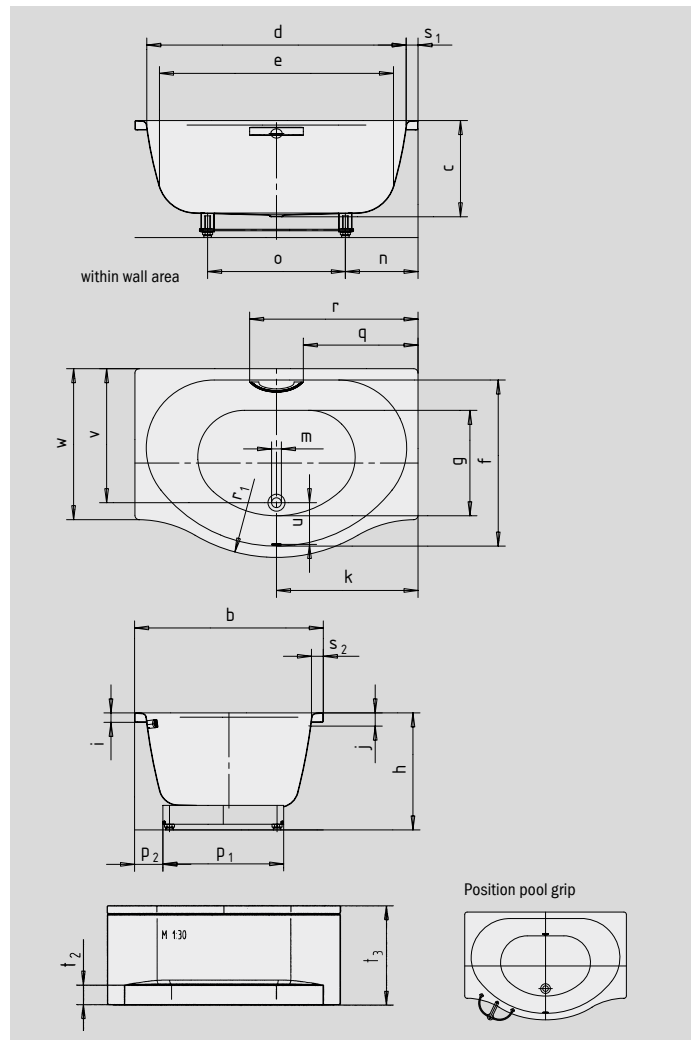
DUO POOL

- 50,5 cm deep bath for submerging
- lots of space and freedom of movement despite its compact external dimensions
- provides perfect bathing comfort even in small bathrooms
- made of KALDEWEI steel enamel
- also available with panel



Similar illustration

To order the bath with pre-drilled grip holes on one side, please order model xxx1011xxx.



GRIP DISCREET OPULENCE

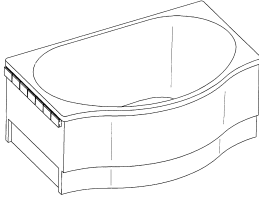


(not for Mod. 150-2, 150-3)

Model No.		150
External length	a	1500 mm
External width	b	1000 mm
Depth	c	505 mm
Internal length (top)	d	1300 mm
Internal length (bottom)	e	1200 mm
Internal width (top)	f ₁ ; f ₂	880 mm
Internal width (bottom)	g	560 mm
Height with feet	h	620-640 mm
Height of rim	i	50 mm
Distance top edge to centre of overflow hole	j	70 mm
Distance bath edge to centre of drain hole	k	750 mm
Diameter of overflow hole	l	52 mm
Diameter of drain hole	m	52 mm
Distance foot end of bath edge to centre of foot	n	385 mm
Distance between the feet	o	730 mm
Max. width of feet	p ₁ ; p ₂	640; 150 mm
Distance bath edge (foot end) to where grip/handle starts	q	608 mm
Distance bath edge (foot end) to where grip/handle ends	r	892,5 mm
Width of rim (lengthwise; diagonal)	s ₁ ; s ₂	60; 60 mm
Height of base	t ₂	135 mm
Height with support and panel	t ₃	640 mm
Distance between centre holes	u	220 mm
Installation dimension	w	800 mm
Distance bath (lengthwise) to drain hole	v	710 mm
Water volume** in litres		240
Weight of the enamelled bath in kg		54
Anti-slip		∅ 435 mm
Full anti-slip		850 x 240 mm

Subject to technical alterations, tolerances and errors. Similar illustration.
 ** 70 litres displacement on average.

KALDEWEI

	Model Order No.	Dimensions cm	Colour price groups				EUR
			I (alpine white)	II	III	IV	
DUO POOL optional special leg set Mod. 5038	150-1 2227 0001 xxxx	150 x 100 x 50,5					
with polystyrene support	150-2 2227 4804 xxxx	150 x 100 x 50,5					
with polystyrene support and front panel** 	150-3** 2227 4803 xxxx	150 x 100 x 50,5					
with polystyrene support, front panel and side panel right**	150-4** 2227 4815 xxxx	150 x 100 x 50,5					
with polystyrene support, front panel and side panel left**	150-5** 2227 4816 xxxx	150 x 100 x 50,5					
with polystyrene support, front panel and 2 side panels**	150-6** 2227 4817 xxxx	150 x 100 x 50,5					
** Panel colours: aegean, alpine white, edelweiss, manhattan, natura, pergamon, star white, black (colour code and colour price group see page 170).							
Model with grip holes on one side available without extra charge	xxxx 1011 xxxx						
ACCESSORIES REQUIRED							
Special leg set for DUO POOL	5038 5833 7000 0000						
and							
COMFORT-LEVEL extended, chrome see page 148	4002 6877 7051 0000						
COMFORT-LEVEL PLUS extended, chrome see page 148	4012 6877 7062 0000						
OPTIONAL SURFACE FINISHES							
Extra charge for easy-clean finish	xxxxxxx3xxx						
Anti-slip Anti-slip enamel							
Full anti-slip Full anti-slip enamel							
Please take into account when ordering anti-slip and full anti-slip finish the configuration of the KALDEWEI item number (see page 353). More information can be found on page 168 - 169.							
OPTIONAL ACCESSORIES							
Grip DISCREET OPULENCE Type A (1 grip), see page 160	chrome	5900 7000 0999					
SOUND WAVE (not for Mod. 150-2, 150-3) see page 171	6800 5845 7600 0000						

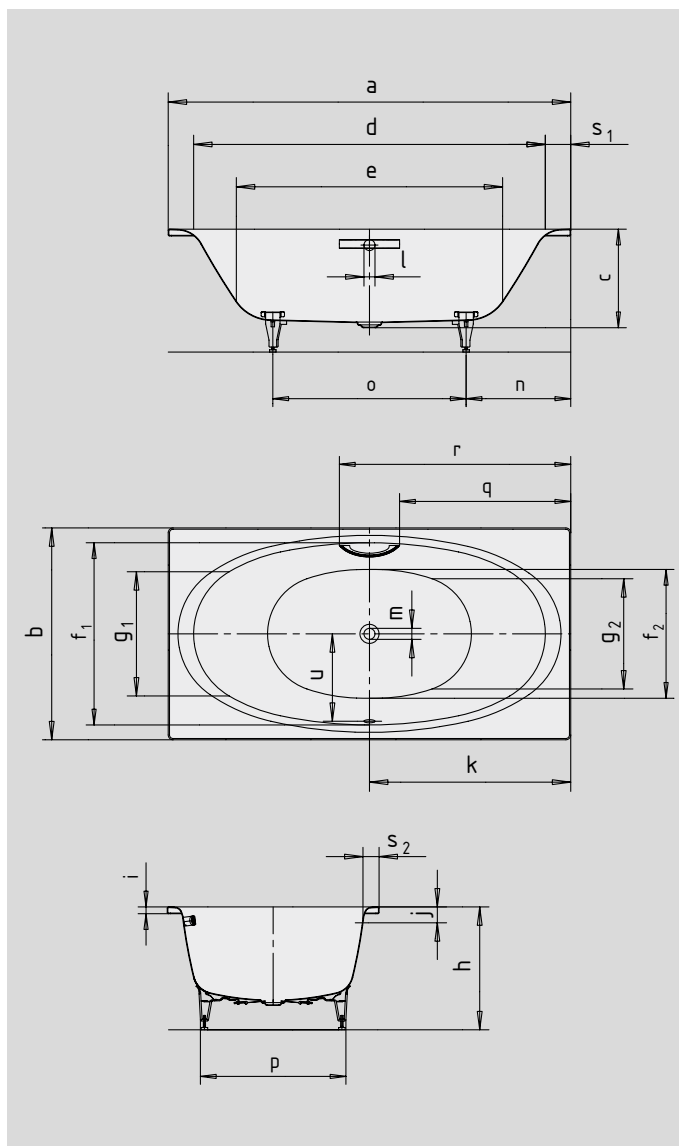
ELLIPSO DUO

- gently shaped shoulder rest for more pleasure and comfort
- bathing with a friend: two identical back rests and centrally positioned waste
- classic rectangular model
- made of KALDEWEI steel enamel
- enamelled waste cover and overflow knob integrated in the bath design



Similar illustration

To order the bath with pre-drilled grip holes on one side, please order model xxxx**1011**xxxx.



GRIP DISCREET OPULENCE



Model No.		230
External length	a	1900 mm
External width	b	1000 mm
Depth	c	465 mm
Internal length (top)	d	1660 mm
Internal length (bottom)	e	1260 mm
Internal width (top)	f ₁ ; f ₂	860; 610 mm
Internal width (bottom)	g ₁ ; g ₂	585; 520 mm
Height with feet	h	565-595 mm
Height of rim	i	32 mm
Distance top edge to centre of overflow hole	j	75 mm
Distance bath edge to centre of drain hole	k	950 mm
Diameter of overflow hole	l	52 mm
Diameter of drain hole	m	52 mm
Distance foot end of bath edge to centre of foot	n	585 mm
Distance between the feet	o	730 mm
Max. width of feet	p	620 mm
Distance bath edge to where grip/handle starts	q	808 mm
Distance bath edge to where grip/handle ends	r	1092 mm
Width of rim (foot end; lengthwise)	s ₁ ; s ₂	120; 65 mm
Distance between centre holes	u	421 mm
Water volume** in litres		214
Weight of the enamelled bath in kg		59
Anti-slip		∅ 587 mm
Full anti-slip		900 x 546 mm

Note: The operational system may protrude on some whirl systems.
Please refer to the Technical Information for Whirl Systems for further information.
Subject to technical alterations, tolerances and errors. Similar illustration.
** 70 litres displacement on average.

KALDEWEI

	Model Order No.	Dimensions cm	Colour price groups				EUR
			I (alpine white)	II	III	IV	
ELLIPSO DUO optional special leg set Mod. 5037	230 2860 0001 xxxx	190 x 100 x 45					
Model with grip holes on one side available without extra charge	xxxx 1011 xxxx						
ACCESSORIES REQUIRED							
Special leg set for ELLIPSO DUO	5037 5831 7000 0000						
and							
Special waste and overflow fitting for ELLIPSO DUO With enamelled waste cover and enamelled overflow knob	KA 4040 6877 7208 xxxx						
Special waste and overflow fitting for ELLIPSO DUO With integrated filling function, enamelled waste cover and overflow knob. The KA4041 fitting requires a non return valve. This is not included.	KA 4041 6877 7210 xxxx						
COMFORT-LEVEL with enamelled waste cover and chrome overflow knob	4007 6876 7003 xxxx						
COMFORT-LEVEL PLUS with enamelled waste cover and chrome overflow knob The 4017 fitting requires a non return valve. This is not included.	4017 6876 7004 xxxx						
OPTIONAL SURFACE FINISHES							
Extra charge for easy-clean finish	xxxxxxx 3 xxx						
Anti-slip Anti-slip enamel							
Full anti-slip Full anti-slip enamel							
Please take into account when ordering anti-slip and full anti-slip finish the configuration of the KALDEWEI item number (see page 353). More information can be found on page 168 - 169.							
OPTIONAL ACCESSORIES							
Grip DISCREET OPULENCE Type C (1 grip), see page 160	chrome	5902 7000 0999					
SOUND WAVE see page 171	6800 5845 7600 0000						
COMFORT SELECT TYPE A Electronic controls with operating panel, chrome for more information see page 154	4500 6897 2008 0999						
and							
COMFORT SELECT out and overflow fitting (fully enamelled) For ELLIPSO DUO without filling function. Further information and also shower hose options s. p. 158 - 159.	4503 6897 2001 xxxx						
COMFORT SELECT out and overflow fitting (fully enamelled) For ELLIPSO DUO with integrated filling function The 4504 fitting requires a non return valve. This is not included. Further information and also shower hose options s. p. 158 - 159.	4504 6897 2002 xxxx						

Baths incl. wellness-system with easy-clean finish.

Pre-assembled in factory. **Parts supplied: bath, wellness technology, waste and overflow fittings, leg set.**
Special equipment whirl systems see page 180. The whirl system order form is available at www.kaldewei.com

SKIN TOUCH see page 176	230	190 x 100 x 45				
SKIN TOUCH emotion see page 176	230	190 x 100 x 45				
VIVO TURBO 6 side jets also compatible with COMFORT SELECT	230	190 x 100 x 45				
VIVO TURBO PLUS 6 side jets also compatible with COMFORT SELECT	230	190 x 100 x 45				
VIVO AQUA ECO 6 side jets	230	190 x 100 x 45				
VIVO AQUA 8 side jets	230	190 x 100 x 45				

* Colour price group IV: alpine white matt (from 01.04.), city-anthracite matt, lava black matt, seashell cream matt, oyster grey matt.

Baths in colour price group IV are not available with easy-clean, anti-slip or full anti-slip finish or whirl system.

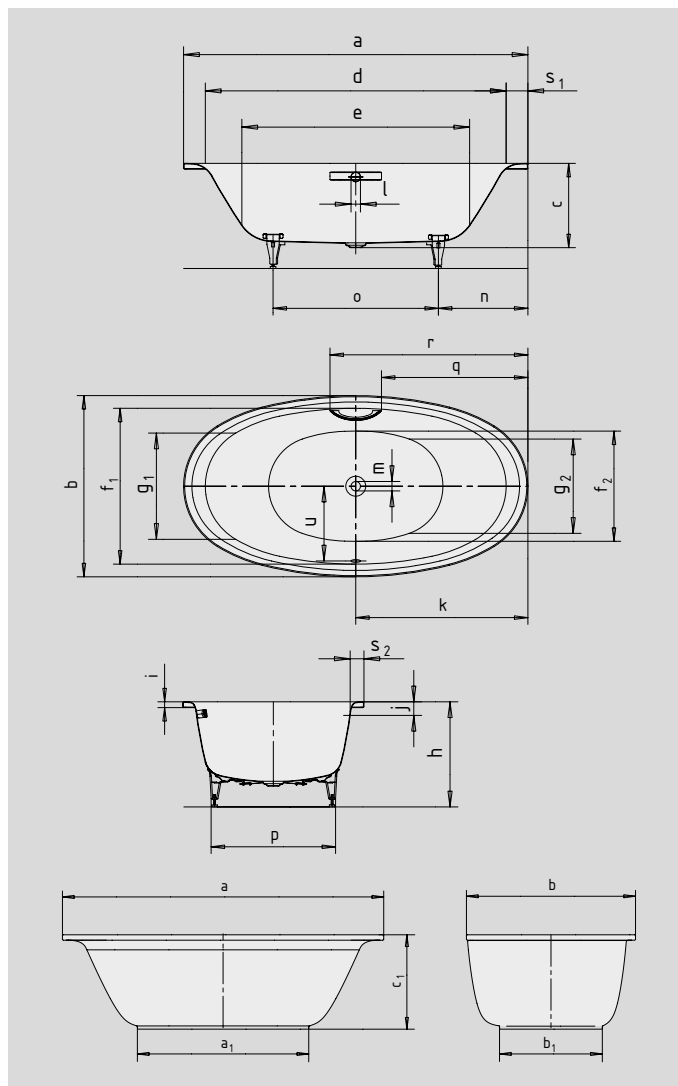
ELLIPSO DUO OVAL ELLIPSO DUO OVAL WITH MOULDED PANEL

- gently shaped shoulder rest for more pleasure and comfort
- elliptical exterior form reflects the interior form
- bathing with a friend: two identical back rests and centrally positioned waste
- made of KALDEWEI steel enamel
- the moulded panel emphasizes the high design standard and means the bath can be free-standing
- enamelled waste cover and overflow knob integrated in the bath design



Similar illustration

To order the bath with pre-drilled grip holes on one side, please order model xxxx**1011**xxxx.



GRIP DISCREET OPULENCE

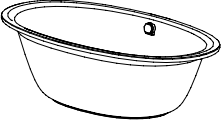


(not for Mod. 232-7)

Model No.		232	232-7
External length	a	1900	1900 mm
External length (bottom)	a ₁	-	1013 mm
External width	b	1000	1000 mm
External width (bottom)	b ₁	-	608 mm
Depth	c	465	465 mm
Overall height with panel	c ₁	-	558 mm
Internal length (top)	d	1660	1660 mm
Internal length (bottom)	e	1260	1260 mm
Internal width (top)	f ₁ ; f ₂	860; 610	860; 610 mm
Internal width (bottom)	g ₁ ; g ₂	585; 520	585; 520 mm
Height of rim	i	32	32 mm
Distance top edge to centre of overflow hole	j	75	75 mm
Distance bath edge to centre of drain hole	k	950	950 mm
Diameter of overflow hole	l	52	52 mm
Diameter of drain hole	m	52	52 mm
Distance foot end of bath edge to centre of foot	n	585	585 mm
Distance between the feet	o	730	730 mm
Max. width of feet	p	620	620 mm
Distance bath edge to where grip/handle starts	q	808	808 mm
Distance bath edge to where grip/handle ends	r	1092	1092 mm
Width of rim (foot end; lengthwise)	s ₁ ; s ₂	120; 65	120; 65 mm
Distance between centre holes	u	421	421 mm
Water volume** in litres		214	214
Weight of the enamelled bath in kg		55	76
Anti-slip		∅ 587	∅ 587 mm
Full anti-slip		900 x 546	900 x 546

Note: The operational system may protrude on some whirl systems.
Please refer to the Technical Information for Whirl Systems for further information.
Subject to technical alterations, tolerances and errors. Similar illustration.
** 70 litres displacement on average.

KALDEWEI

	Model Order No.	Dimensions cm	Colour price groups				EUR
			I (alpine white)	II	III	IV	
ELLIPSO DUO OVAL optional special leg set Mod. 5037	232 2862 0001 xxxx	190 x 100 x 45					
ELLIPSO DUO OVAL with moulded panel** incl. flexible waste hose and special leg set 	232-7 2862 4805 xxxx	190 x 100 x 45					
** Panel colours: alpine white, aegean, edelweiss, natura V+B, star white, alpine white matt (from 01.04.), lava black matt, city-anthracite matt, seashell cream matt, oyster grey matt, manhattan, pergamon, black (colour code and colour price group see page 170)							
Model with grip holes on one side available without extra charge	xxxx 1011 xxxx						
ACCESSORIES REQUIRED							
Special leg set for ELLIPSO DUO OVAL	5037 5831 7000 0000						
and							
Special waste and overflow fitting for ELLIPSO DUO With enamelled waste cover and enamelled overflow knob	KA 4040 6877 7208 xxxx						
Special waste and overflow fitting for ELLIPSO DUO With integrated filling function, enamelled waste cover and enamelled overflow knob. The KA4041 fitting requires a non return valve. This is not included.	KA 4041 6877 7210 xxxx						
COMFORT-LEVEL with enamelled waste cover and chrome overflow knob	4007 6876 7003 xxxx						
COMFORT-LEVEL PLUS with enamelled waste cover and chrome overflow knob The 4017 fitting requires a non return valve. This is not included.	4017 6876 7004 xxxx						
OPTIONAL SURFACE FINISHES							
Extra charge for easy-clean finish	xxxxxxx 3 xxxx						
Anti-slip Anti-slip enamel							
Full anti-slip Full anti-slip enamel							
Please take into account when ordering anti-slip and full anti-slip finish the configuration of the KALDEWEI item number (see page 353). More information can be found on page 168 - 169.							
OPTIONAL ACCESSORIES							
Grip DISCREET OPULENCE Type C (1 grip), see page 160	chrome	5902 7000 0999					
SOUND WAVE (not for Mod. 232-7) see page 171	6800 5845 7600 0000						
Baths incl. wellness-system with easy-clean finish. Pre-assembled in factory. Parts supplied: bath, wellness technology, waste and overflow fittings, leg set. Special equipment whirl systems see page 180. MULTIVERSO panelling system for wellness baths see page 182 - 183. The whirl system order form is available at www.kaldewei.com							
VIVO AQUA ECO 6 side jets	232	190 x 100 x 45					

* Colour price group IV: alpine white matt (from 01.04.), city-anthracite matt, lava black matt, seashell cream matt, oyster grey matt.

Baths in colour price group IV are not available with easy-clean, anti-slip or full anti-slip finish or whirl system.

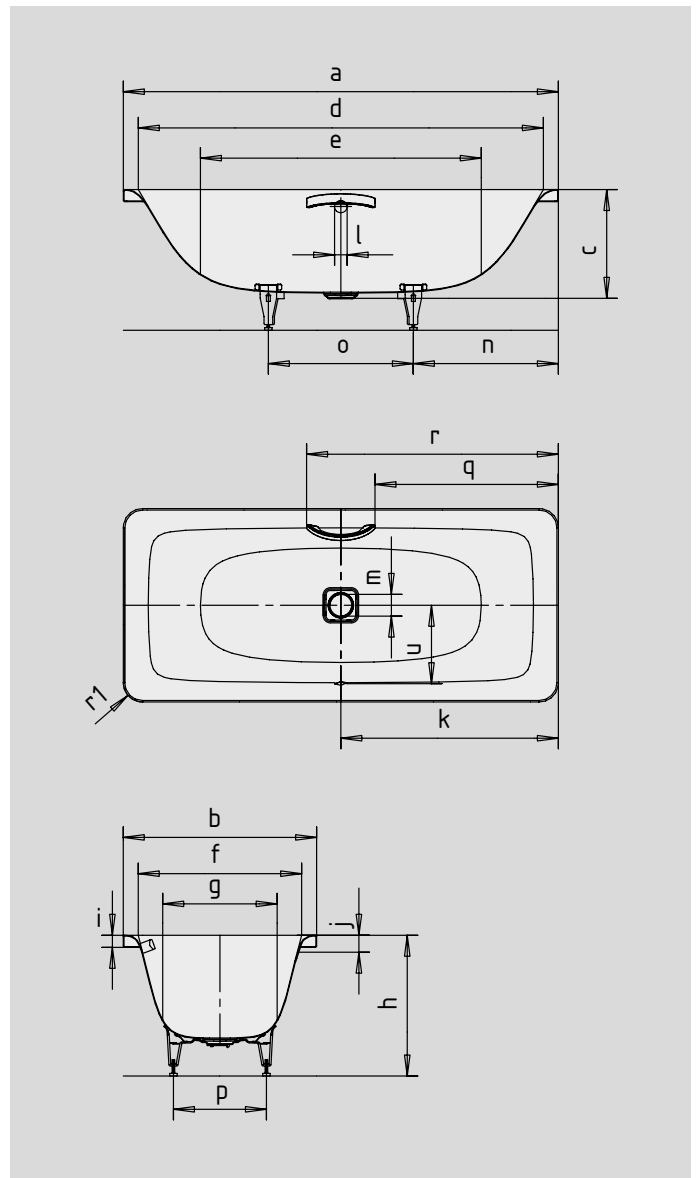
Caution! Disinfection system has to be installed externally! Further information can be found on our website www.kaldewei.com

INCAVA

- this bath defines itself by its organically flowing interior
- sensually soft corner radius
- the precise, striking wall surrounds the bath like a picture frame lending it a sculptural character
- also available with grip on one side
- enamelled waste cover and overflow knob integrated in the bath design (also available with filling function)
- bathing à deux: two identical backrests and central waste
- made of KALDEWEI steel enamel
- designed by Anke Salomon



Similar illustrations



GRIP DISCREET OPULENCE



Model No.		172	174	176
External length	a	1700	1800	1900 mm
External width	b	750	800	900 mm
Depth	c	425	450	450 mm
Internal length (top)	d	1576	1676	1776 mm
Internal length (bottom)	e	1112	1162	1262 mm
Internal width (top)	f	626	676	776 mm
Internal width (bottom)	g	423	473	537 mm
Height of bath	h	544-583	570-605	565-602 mm
Height of rim	i	50	50	50 mm
Distance top edge to centre of overflow hole	j	70	70	70 mm
Distance bath edge to centre of drain hole	k	850	900	950 mm
Diameter of overflow hole	l	52	52	52 mm
Diameter of drain hole	m	90	90	90 mm
Distance foot end of bath edge to centre of foot	n	566	595	591 mm
Distance between the feet	o	568	610	718 mm
Max. width of feet	p	340	360	430 mm
Distance bath edge to where grip/handle starts	q	708	758	808 mm
Distance bath edge to where grip/handle ends	r	992	1042	1092 mm
Radius	r ₁	80	80	80 mm
Distance between centre holes	u	293	320	362 mm
Water volume** in litres		96	140	188
Weight of the enamelled bath in kg		52	57	64
Full anti-slip		780 x 252	828 x 300	924 x 348 mm

Subject to technical alterations, tolerances and errors. Similar illustrations.
 ** 70 litres displacement on average.

	Model Order No.	Dimensions cm	Colour price groups				EUR
			I (alpine white)	II	III	IV	
INCAVA Special waste and overflow fitting or COMFORT-LEVEL mandatory for INCAVA	172 2172 0001 xxxx 174 2174 0001 xxxx 176 2176 0001 xxxx	170 x 75 x 41 180 x 80 x 43,5 190 x 90 x 43,5					
ACCESSORIES REQUIRED							
Special leg set for INCAVA	5037 5831 7000 0000						
and							
Special waste and overflow fitting with enamelled waste cover and enamelled overflow knob KA 4080	KA 4080 6877 7200 xxxx						
Special waste and overflow fitting KA 4081 for INCAVA With integrated filling function, enamelled waste cover and enamelled overflow knob. The KA 4081 fitting requires a non return valve. This is not included.	KA 4081 6877 7202 xxxx						
COMFORT-LEVEL INCAVA with enamelled waste cover and chrome-plated overflow knob	4004 6877 7067 xxxx						
COMFORT-LEVEL PLUS INCAVA with enamelled waste cover and chrome-plated overflow knob. The KA 4014 fitting requires a non return valve. This is not included.	4014 6877 7068 xxxx						
OPTIONAL SURFACE FINISHES							
Extra charge for easy-clean finish	xxxxxxx3xxx						
Full anti-slip Full anti-slip enamel							
OPTIONAL ACCESSORIES							
Model with grip holes on one side available without extra charge	xxxx 1011 xxxx						
Grip DISCREET OPULENCE Type E (1 grip)	chrome	5912 7000 0999					
SOUND WAVE optional accessories	6800 5845 7600 0000						

• = separate accessory.

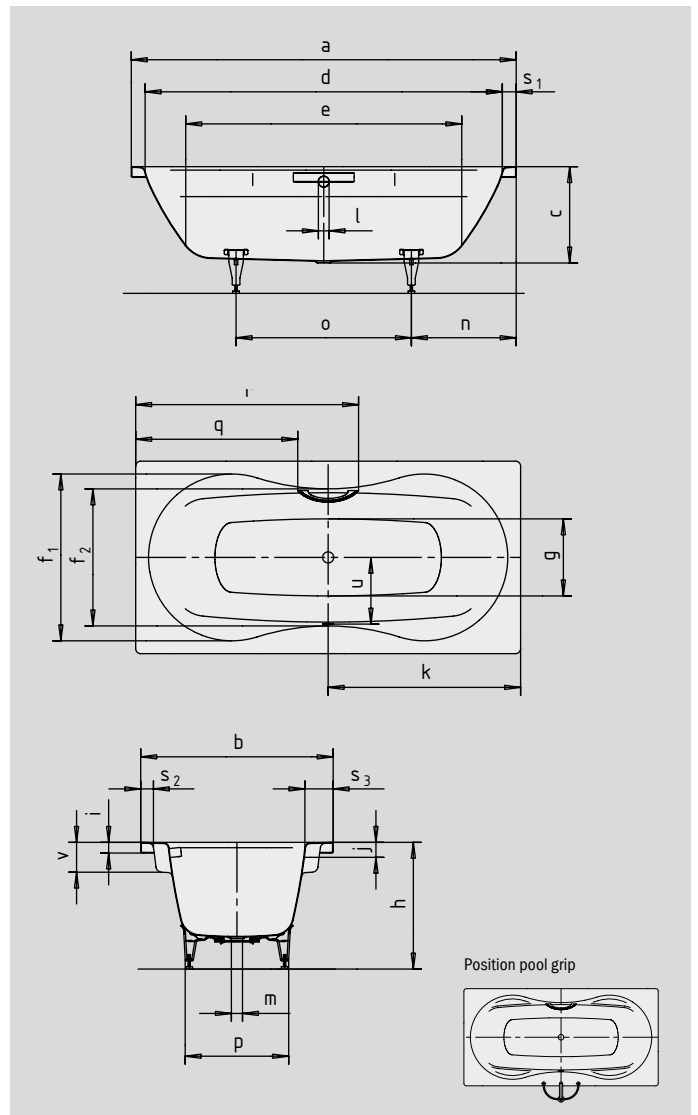
MEGA DUO

- bathing with a friend: two identical back rests and centrally positioned waste
- wide arm rests on both sides provide optimum bathing comfort
- classic four-cornered model
- made of KALDEWEI steel enamel



Similar illustration

To order the bath with pre-drilled grip holes on one side, please order model xxxx**1011**xxxx.



GRIP DISCREET OPULENCE



Model No.		180
External length	a	1800 mm
External width	b	900 mm
Depth	c	450 mm
Internal length (top)	d	1680 mm
Internal length (bottom)	e	1290 mm
Internal width (top)	f ₁ ; f ₂	780; 640 mm
Internal width (bottom)	g	360 mm
Height with feet	h	565-600 mm
Height of rim	i	50 mm
Distance top edge to centre of overflow hole	j	70 mm
Distance bath edge to centre of drain hole	k	900 mm
Diameter of overflow hole	l	52 mm
Diameter of drain hole	m	52 mm
Distance foot end of bath edge to centre of foot	n	490 mm
Distance between the feet	o	820 mm
Max. width of feet	p	480 mm
Distance bath edge to where grip/handle starts	q	758 mm
Distance bath edge to where grip/handle ends	r	1042 mm
Width of rim (foot end; lengthwise)	s ₁ ; s ₂ ; s ₃	60; 60; 130 mm
Distance between centre holes	u	310 mm
Armrest depth	v	140 mm
Water volume** in litres		186
Weight of the enamelled bath in kg		60
Anti-slip		∅ 435 mm
Full anti-slip		900 x 300 mm

Subject to technical alterations, tolerances and errors. Similar illustration.
 ** 70 litres displacement on average.

KALDEWEI

	Model Order No.	Dimensions cm	Colour price groups				EUR
			I (alpine white)	II	III	IV	
MEGA DUO ALLROUND leg set Mod. 5030 is mandatory	180 2234 4001 xxxx	180 x 90 x 45					
Model with grip holes on one side available without extra charge	xxxx 1011 xxxx						
ACCESSORIES REQUIRED							
Leg set ALLROUND see page 151	5030 5814 7000 0000						
and							
COMFORT-LEVEL extended, chrome see page 148	4002 6877 7051 0000						
COMFORT-LEVEL PLUS extended, chrome see page 148	4012 6877 7062 0000						
OPTIONAL SURFACE FINISHES							
Extra charge for easy-clean finish	xxxxxxx 3 xxx						
Anti-slip Anti-slip enamel							
Full anti-slip Full anti-slip enamel							
Please take into account when ordering anti-slip and full anti-slip finish the configuration of the KALDEWEI item number (see page 353). More information can be found on page 168 - 169.							
OPTIONAL ACCESSORIES							
Grip DISCREET OPULENCE Type B (1 grip), see page 160	chrome	5901 7000 0999					
SOUND WAVE see page 171	6800 5845 7600 0000						
COMFORT SELECT TYPE A Electronic controls with operating panel, chrome for more information see page 154	4500 6897 2008 0999						
and							
COMFORT SELECT out and overflow fitting Standard without filling function. Further information and also shower hose options s. p. 158 - 159.	4501 6897 2009 0999						
COMFORT SELECT out and overflow fitting Standard with integrated filling function. The 4502 fitting requires a non return valve. This is not included. Further information and also shower hose options s. p. 158 - 159.	4502 6897 2000 x0999						

Baths incl. wellness-system with easy-clean finish.

Pre-assembled in factory. **Parts supplied: bath, wellness technology, waste and overflow fittings, leg set.**

Special equipment whirl systems see page 180. MULTIVERSO panelling system for wellness baths see page 182 - 183. The whirl system order form is available at www.kaldewei.com

SKIN TOUCH see page 176	180	180 x 90 x 45					
SKIN TOUCH emotion see page 176	180	180 x 90 x 45					
VIVO TURBO 6 side jets also compatible with COMFORT SELECT	180	180 x 90 x 45					
VIVO TURBO PLUS 6 side jets also compatible with COMFORT SELECT	180	180 x 90 x 45					
VIVO VITA 12 floor jets	180	180 x 90 x 45					
VIVO AQUA ECO 6 side jets	180	180 x 90 x 45					
VIVO AQUA 8 side jets	180	180 x 90 x 45					
VIVO VARIO ECO 8 side jets, 12 floor jets	180	180 x 90 x 45					
VIVO VARIO PLUS 8 side jets, 12 floor jets + 2 microjets each in the back and foot area	180	180 x 90 x 45					

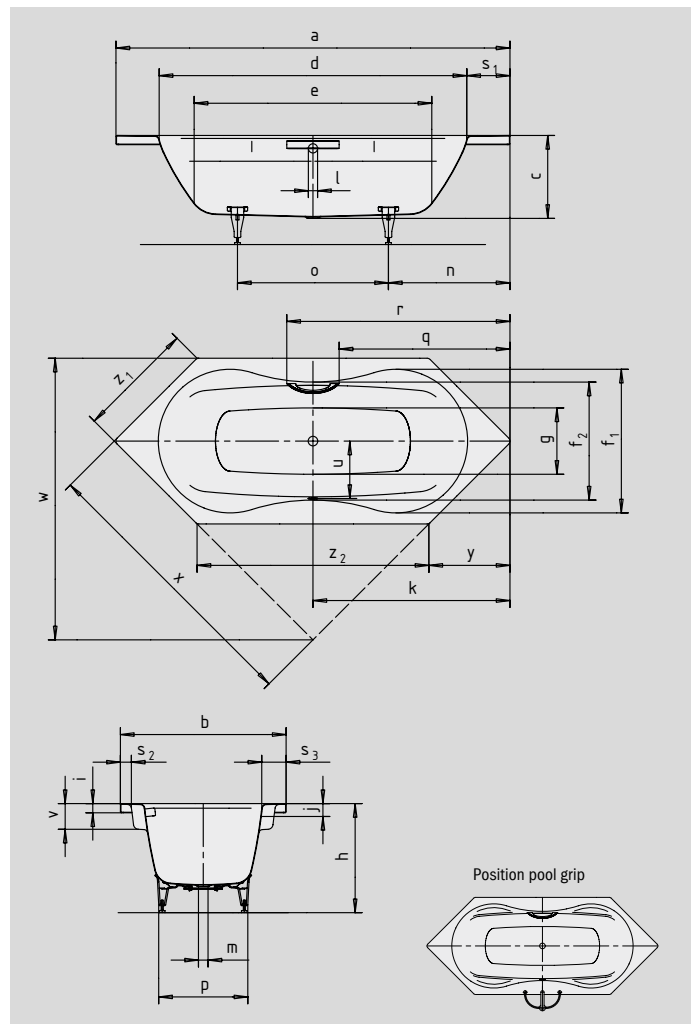
MEGA DUO 6

- bathing with a friend: two identical back rests and centrally positioned waste
- wide arm rests on both sides provide optimum bathing comfort
- diverse installation possibilities, also corner installation
- made of KALDEWEI steel enamel



Similar illustration

To order the bath with pre-drilled grip holes on one side, please order model xxxx**1011**xxxx.



GRIP DISCREET OPULENCE



SKIN TOUCH

SOUND WAVE

COMFORT SELECT

Model No.		182
External length	a	2140 mm
External width	b	900 mm
Depth	c	450 mm
Internal length (top)	d	1680 mm
Internal length (bottom)	e	1290 mm
Internal width (top)	f ₁ ; f ₂	780; 640 mm
Internal width (bottom)	g	360 mm
Height with feet	h	570-600 mm
Height of rim	i	50 mm
Distance top edge to centre of overflow hole	j	70 mm
Distance bath edge to centre of drain hole	k	1070 mm
Diameter of overflow hole	l	52 mm
Diameter of drain hole	m	52 mm
Distance foot end of bath edge to centre of foot	n	660 mm
Distance between the feet	o	820 mm
Max. width of feet	p	480 mm
Distance bath edge to where grip/handle starts	q	928 mm
Distance bath edge to where grip/handle ends	r	1212 mm
Width of rim (foot end; lengthwise)	s ₁ ; s ₂ ; s ₃	230; 60; 130 mm
Distance between centre holes	u	310 mm
Armrest depth	v	140 mm
Installation dimension	w	1530 mm
Side length	x	1527 mm
Oblique	y	440 mm
Side length	z ₁ ; z ₂	636; 1260 mm
Water volume** in litres		186
Weight of the enamelled bath in kg		60
Anti-slip		∅ 435 mm
Full anti-slip		900 x 300 mm

Subject to technical alterations, tolerances and errors. Similar illustration.
** 70 litres displacement on average.

KALDEWEI

	Model Order No.	Dimensions cm	Colour price groups I (alpine white) II III IV				EUR
MEGA DUO 6 ALLROUND leg set Mod. 5030 is mandatory	182 2236 0001 xxxx	214 x 90 x 45					
Model with grip holes on one side available without extra charge	xxxx 1011 xxxx						
ACCESSORIES REQUIRED							
Leg set ALLROUND see page 151	5030 5814 7000 0000						
and							
COMFORT-LEVEL extended, chrome see page 148	4002 6877 7051 0000						
COMFORT-LEVEL PLUS extended, chrome see page 148	4012 6877 7062 0000						
OPTIONAL SURFACE FINISHES							
Extra charge for easy-clean finish	xxxxxxx 3 xxx						
Anti-slip Anti-slip enamel							
Full anti-slip Full anti-slip enamel							
Please take into account when ordering anti-slip and full anti-slip finish the configuration of the KALDEWEI item number (see page 353). More information can be found on page 168 - 169.							
OPTIONAL ACCESSORIES							
Grip DISCREET OPULENCE Type B (1 grip), see page 160	chrome	5901 7000 0999					
SOUND WAVE see page 171	6800 5845 7600 0000						
COMFORT SELECT TYPE A Electronic controls with operating panel, chrome for more information see page 154	4500 6897 2008 0999						
and							
COMFORT SELECT out and overflow fitting Standard without filling function. Further information and also shower hose options s. p. 158 - 159.	4501 6897 2009 0999						
COMFORT SELECT out and overflow fitting Standard with integrated filling function. The 4502 fitting requires a non return valve. This is not included. Further information and also shower hose options s. p. 158 - 159.	4502 6897 2000 x0999						

Baths incl. wellness-system with easy-clean finish.

Pre-assembled in factory. **Parts supplied: bath, wellness technology, waste and overflow fittings, leg set.**

Special equipment whirl systems see page 180. MULTIVERSO panelling system for wellness baths see page 182 - 183. The whirl system order form is available at www.kaldewei.com

SKIN TOUCH see page 176	182	214 x 90 x 45					
SKIN TOUCH emotion see page 176	182	214 x 90 x 45					
VIVO TURBO 6 side jets also compatible with COMFORT SELECT	182	214 x 90 x 45					
VIVO TURBO PLUS 6 side jets also compatible with COMFORT SELECT	182	214 x 90 x 45					
VIVO VITA 12 floor jets	182	214 x 90 x 45					
VIVO AQUA ECO 6 side jets	182	214 x 90 x 45					
VIVO AQUA 8 side jets	182	214 x 90 x 45					
VIVO VARIO ECO 8 side jets, 12 floor jets	182	214 x 90 x 45					
VIVO VARIO PLUS 8 side jets, 12 floor jets + 2 microjets each in the back and foot area	182	214 x 90 x 45					

MEGA DUO OVAL

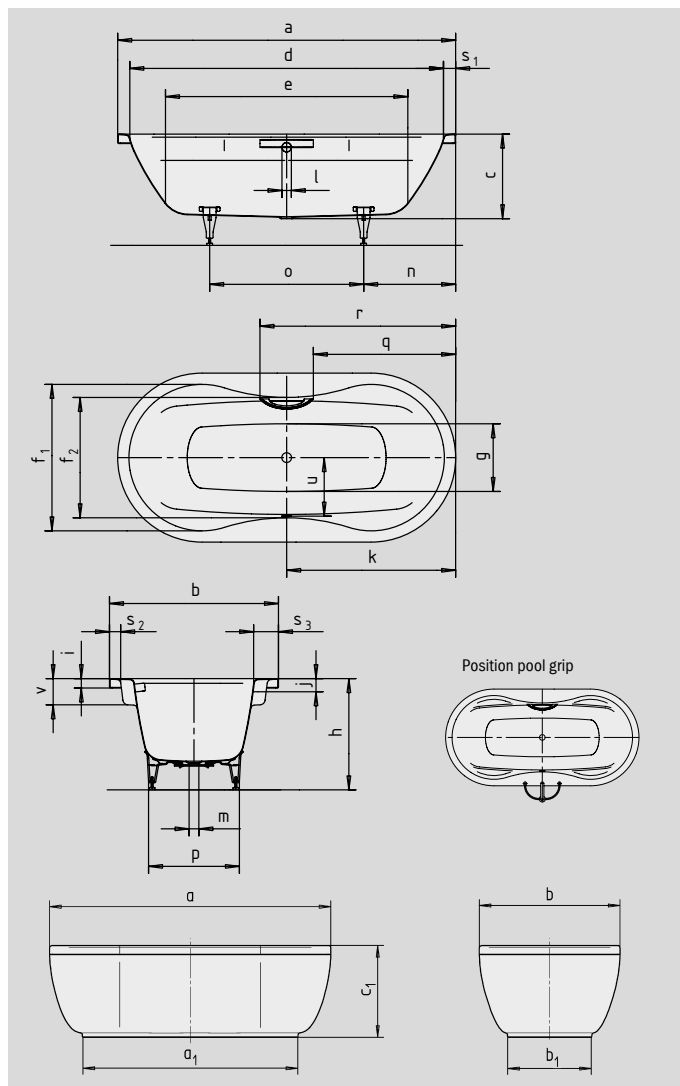
MEGA DUO OVAL WITH MOULDED PANEL

- bathing with a friend: two identical back rests and centrally positioned waste
- wide arm rests on both sides provide optimum bathing comfort
- made of KALDEWEI steel enamel
- the moulded panel emphasises the high design standard and enables the bath to be free-standing



Similar illustration

To order the bath with pre-drilled grip holes on one side, please order model xxxx**1011**xxxx.



GRIP DISCREET OPULENCE



SKIN TOUCH

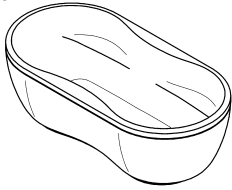
SOUND WAVE

COMFORT SELECT

Model No.		184	184-7
External length	a	1800	1800 mm
External width	b	900	900 mm
Depth	c	450	450 mm
External length (bottom)	a ₁	-	1380 mm
External width (bottom)	b ₁	-	540 mm
Overall height with panel	c ₁	-	580 mm
Internal length (top)	d	1680	1680 mm
Internal length (bottom)	e	1290	1290 mm
Internal width (top)	f ₁ ; f ₂	780; 640	780; 640 mm
Internal width (bottom)	g	360	360 mm
Height of rim	i	50	50 mm
Distance top edge to centre of overflow hole	j	70	70 mm
Distance bath edge to centre of drain hole	k	900	900 mm
Diameter of overflow hole	l	52	52 mm
Diameter of drain hole	m	52	52 mm
Distance foot end of bath edge to centre of foot	n	490	490 mm
Distance between the feet	o	820	820 mm
Max. width of feet	p	480	480 mm
Distance bath edge to where grip/handle starts	q	758	758 mm
Distance bath edge to where grip/handle ends	r	1042	1042 mm
Width of rim (foot end; lengthwise)	s ₁ ; s ₂ ; s ₃	60; 60; 130	60; 60; 130 mm
Distance between centre holes	u	310	310 mm
Armrest depth	v	140	140 mm
Water volume** in litres		186	186
Weight of the enamelled bath in kg		55	87
Anti-slip		∅ 435	∅ 435 mm
Full anti-slip		900 x 300	900 x 300 mm

Note: The operational system may protrude on some whirl systems.
Please refer to the Technical Information for Whirl Systems for further information.
Subject to technical alterations, tolerances and errors. Similar illustration.
** 70 litres displacement on average.

KALDEWEI

	Model Order No.	Dimensions cm	Colour price groups				EUR
			I (alpine white)	II	III	IV	
MEGA DUO OVAL ALLROUND leg set Mod. 5030 is mandatory	184 2238 0001 xxxx	180 x 90 x 45					
MEGA DUO OVAL with moulded panel** incl. flexible waste hose and ALLROUND leg set Mod. 5030 	184-7** 2238 4805 xxxx	180 x 90 x 45					
** Panel colours: aegean, alpine white, edelweiss, manhattan, natura, pergamon, star white, black (colour code and colour price group see page 170).							
Model with grip holes on one side available without extra charge	xxxx 1011 xxxx						
ACCESSORIES REQUIRED							
Leg set ALLROUND for MEGA DUO OVAL see page 151	5030 5814 7000 0000						
and							
COMFORT-LEVEL extended, chrome see page 148	4002 6877 7051 0000						
COMFORT-LEVEL PLUS extended, chrome see page 148	4012 6877 7062 0000						
OPTIONAL SURFACE FINISHES							
Extra charge for easy-clean finish	xxxxxxx 3 xxx						
Anti-slip Anti-slip enamel							
Full anti-slip Full anti-slip enamel							
Please take into account when ordering anti-slip and full anti-slip finish the configuration of the KALDEWEI item number (see page 353). More information can be found on page 168 - 169.							
OPTIONAL ACCESSORIES							
Grip DISCREET OPULENCE Type B (1 grip), see page 160	chrome	5901 7000 0999					
SOUND WAVE see page 171	6800 5845 7600 0000						
COMFORT SELECT TYPE A (Mod. 184) Electronic controls with operating panel, chrome for more information see page 154	4500 6897 2008 0999						
COMFORT SELECT Type B (Mod. 184-7), for free-standing installation Electronic controls with operating panel, chrome for more information see page 154	4511 6897 2011 0999						
and							
COMFORT SELECT out and overflow fitting Standard without filling function. Further information and also shower hose options s. p. 158 - 159.	4501 6897 2009 0999						
COMFORT SELECT out and overflow fitting Standard with integrated filling function. The 4502 fitting requires a non return valve. This is not included. Further information and also shower hose options s. p. 158 - 159.	4502 6897 2000 x0999						
Baths incl. wellness-system with easy-clean finish. Pre-assembled in factory. Parts supplied: bath, wellness technology, waste and overflow fittings, leg set. Special equipment whirl systems see page 180. MULTIVERSO panelling system for wellness baths see page 182 - 183. The whirl system order form is available at www.kaldewei.com							
SKIN TOUCH see page 176	184	180 x 90 x 45					
SKIN TOUCH emotion see page 176	184	180 x 90 x 45					
VIVO TURBO 6 side jets also compatible with COMFORT SELECT	184	180 x 90 x 45					
VIVO TURBO PLUS 6 side jets also compatible with COMFORT SELECT	184	180 x 90 x 45					
VIVO VITA 12 floor jets with additional panel	184 184-7	180 x 90 x 45 180 x 90 x 45					
VIVO AQUA ECO 6 side jets	184	180 x 90 x 45					
VIVO AQUA 8 side jets	184	180 x 90 x 45					
VIVO VARIO ECO 8 side jets, 12 floor jets	184	180 x 90 x 45					
VIVO VARIO PLUS 8 side jets, 12 floor jets + 2 microjets each in the back and foot area	184	180 x 90 x 45					

Caution! Disinfection system has to be installed externally! Further information can be found on our website www.kaldewei.com

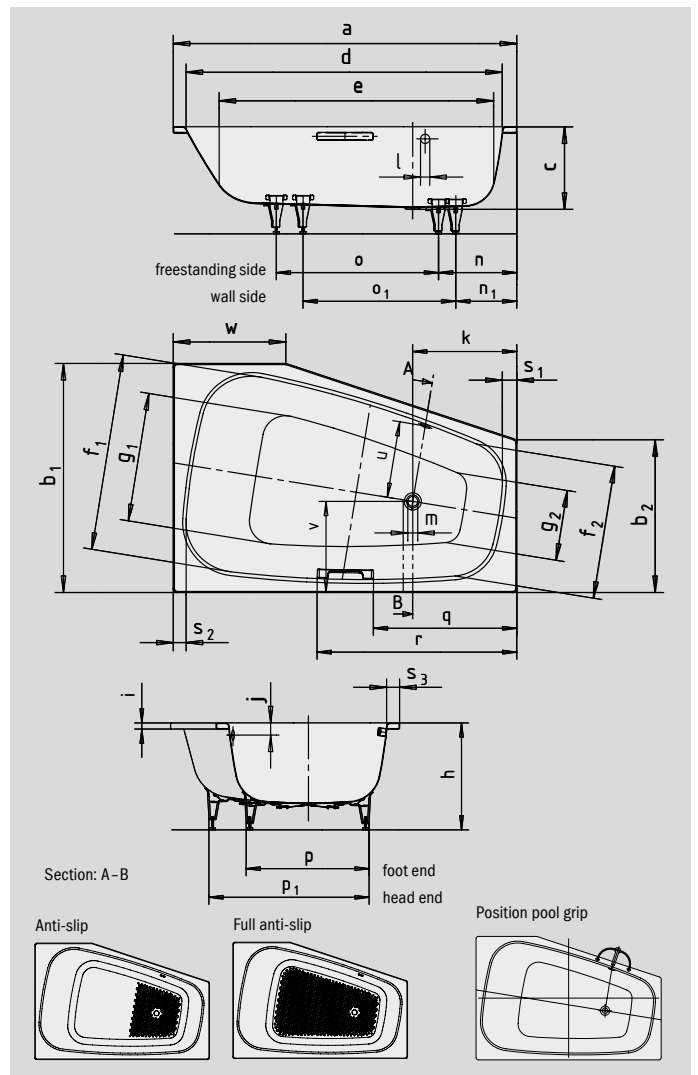
PLAZA DUO LEFT

- the spacious interior enables you to adopt a wide range of positions when bathing
- bathing with a friend: sit next to each other
- available as right or left-hand model
- made of KALDEWEI steel enamel

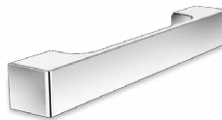


Similar illustration

To order the bath with pre-drilled grip holes on one side, please order model xxxx**1011**xxxx.



GRIP ELEGANT PURISM



Model No.		192
External length	a	1800 mm
External width	b ₁ ; b ₂	1200; 800 mm
Depth	c	430 mm
Internal length (top)	d	1625 mm
Internal length (bottom)	e	1410 mm
Internal width (top)	f ₁ ; f ₂	1035; 700 mm
Internal width (bottom)	g ₁ ; g ₂	738; 370 mm
Height with feet	h	552-560 mm
Height of rim	i	32 mm
Distance top edge to centre of overflow hole	j	70 mm
Distance bath edge to centre of drain hole	k	545 mm
Diameter of overflow hole	l	52 mm
Diameter of drain hole	m	52 mm
Distance foot end of bath edge to centre of foot	n; n ₁	320; 410 mm
Distance between the feet	o; o ₁	800; 850 mm
Max. width of feet	p; p ₁	600; 880 mm
Distance bath edge to where grip/handle starts	q	751,5 mm
Distance bath edge to where grip/handle ends	r	1046,5 mm
Width of rim (foot end; head end; lengthwise)	s ₁ ; s ₂ ; s ₃	74; 61; 66 mm
Distance between centre holes	u	409 mm
Distance bath (lengthwise) to drain hole	v	478 mm
Side length	w	590 mm
Water volume** in litres		273
Weight of the enamelled bath in kg		67
Anti-slip		473 x 386/562 mm
Full anti-slip		1031 x 386/700 mm

Note: The operational system may protrude on some whirl systems.
Please refer to the Technical Information for Whirl Systems for further information.
Subject to technical alterations, tolerances and errors. Similar illustration.
** 70 litres displacement on average.

	Model Order No.	Dimensions cm	Colour price groups				EUR
			I (alpine white)	II	III	IV	
PLAZA DUO left optional special leg set Mod. 5037	192 2372 0001 xxxx	180 x 120/80 x 43					
Model with grip holes on one side available without extra charge	xxxx 1011 xxxx						
ACCESSORIES REQUIRED							
Special leg set for PLAZA DUO	5037 5831 7000 0000						
and							
COMFORT-LEVEL special, chrome see page 148	4003 6877 7065 0000						
COMFORT-LEVEL PLUS special, chrome see page 148	4013 6877 7066 0000						
OPTIONAL SURFACE FINISHES							
Extra charge for easy-clean finish	xxxxxxxx 3 xxx						
Anti-slip Anti-slip enamel							
Full anti-slip Full anti-slip enamel							
Please take into account when ordering anti-slip and full anti-slip finish the configuration of the KALDEWEI item number (see page 353). More information can be found on page 168 - 169.							
OPTIONAL ACCESSORIES							
Grip ELEGANT PURISM Type B (1 grip), see page 160	chrome	5905 7000 0999					
SOUND WAVE see page 171	6800 5845 7600 0000						
COMFORT SELECT TYPE A Electronic controls with operating panel, chrome for more information see page 154	4500 6897 2008 0999						
and							
COMFORT SELECT out and overflow fitting Standard without filling function. Further information and also shower hose options s. p. 158 - 159.	4501 6897 2009 0999						
COMFORT SELECT out and overflow fitting Standard with integrated filling function. The 4502 fitting requires a non return valve. This is not included. Further information and also shower hose options s. p. 158 - 159.	4502 6897 2000 x0999						
Baths incl. wellness-system with easy-clean finish. Pre-assembled in factory. Parts supplied: bath, wellness technology, waste and overflow fittings, leg set. Special equipment whirl systems see page 180. MULTIVERSO panelling system for wellness baths see page 182 - 183. The whirl system order form is available at www.kaldewei.com							
SKIN TOUCH see page 176	192	180 x 120/80 x 43					
SKIN TOUCH emotion see page 176	192	180 x 120/80 x 43					
VIVO TURBO 6 side jets also compatible with COMFORT SELECT	192	180 x 120/80 x 43					
VIVO TURBO PLUS 6 side jets also compatible with COMFORT SELECT	192	180 x 120/80 x 43					
VIVO VITA 12 floor jets	192	180 x 120/80 x 43					
VIVO AQUA ECO 6 side jets	192	180 x 120/80 x 43					
VIVO AQUA 8 side jets	192	180 x 120/80 x 43					
VIVO VARIO ECO 8 side jets, 12 floor jets	192	180 x 120/80 x 43					
VIVO VARIO PLUS 8 side jets, 12 floor jets sowie as well as 4 microjets in the back and 2 microjets in the foot area	192	180 x 120/80 x 43					

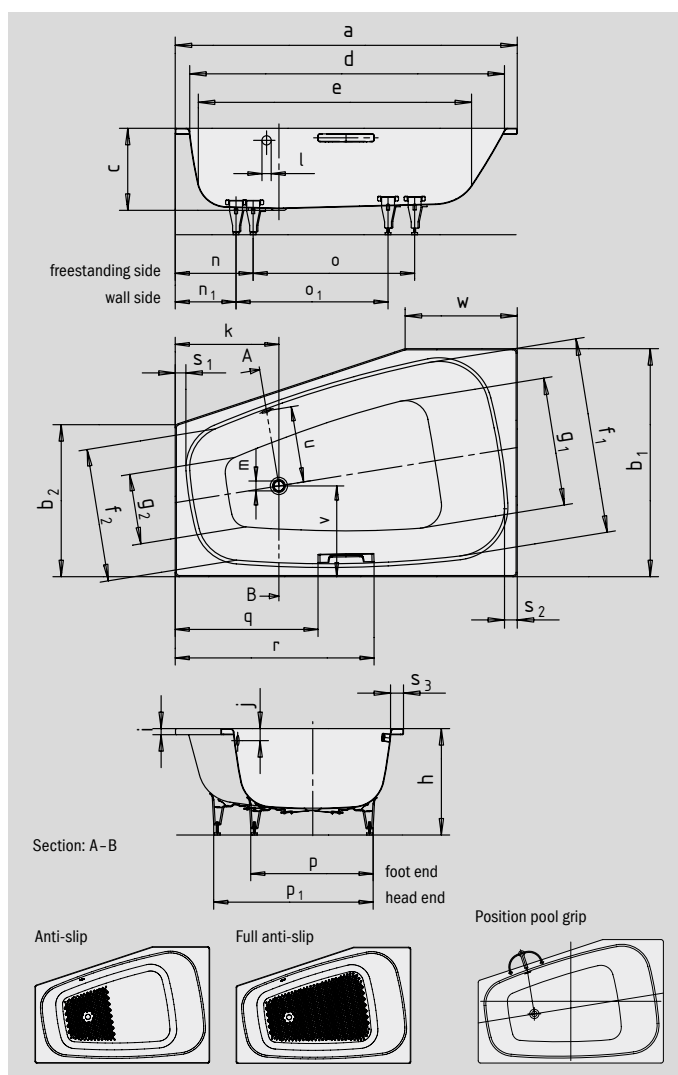
PLAZA DUO RIGHT

- the spacious interior enables you to adopt a wide range of positions when bathing
- bathing with a friend: sit next to each other
- available as right or left-hand model
- made of KALDEWEI steel enamel

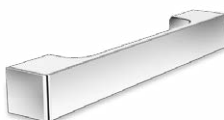


Similar illustration

To order the bath with pre-drilled grip holes on one side, please order model xxx1011xxx.



GRIP ELEGANT PURISM



Model No.		190
External length	a	1800 mm
External width	b ₁ ; b ₂	1200; 800 mm
Depth	c	430 mm
Internal length (top)	d	1625 mm
Internal length (bottom)	e	1410 mm
Internal width (top)	f ₁ ; f ₂	1035; 700 mm
Internal width (bottom)	g ₁ ; g ₂	738; 370 mm
Height with feet	h	552-560 mm
Height of rim	i	32 mm
Distance top edge to centre of overflow hole	j	70 mm
Distance bath edge to centre of drain hole	k	545 mm
Diameter of overflow hole	l	52 mm
Diameter of drain hole	m	52 mm
Distance foot end of bath edge to centre of foot	n; n ₁	320; 410 mm
Distance between the feet	o; o ₁	800; 850 mm
Max. width of feet	p; p ₁	600; 880 mm
Distance bath edge to where grip/handle starts	q	751,5 mm
Distance bath edge to where grip/handle ends	r	1046,5 mm
Width of rim (foot end; head end; lengthwise)	s ₁ ; s ₂ ; s ₃	74; 61; 66 mm
Distance between centre holes	u	409 mm
Distance bath (lengthwise) to drain hole	v	478 mm
Side length	w	590 mm
Water volume** in litres		273
Weight of the enamelled bath in kg		67
Anti-slip		473 x 386/562 mm
Full anti-slip		1031 x 386/700 mm

Note: The operational system may protrude on some whirl systems.
Please refer to the Technical Information for Whirl Systems for further information.
Subject to technical alterations, tolerances and errors. Similar illustration.
** 70 litres displacement on average.

KALDEWEI

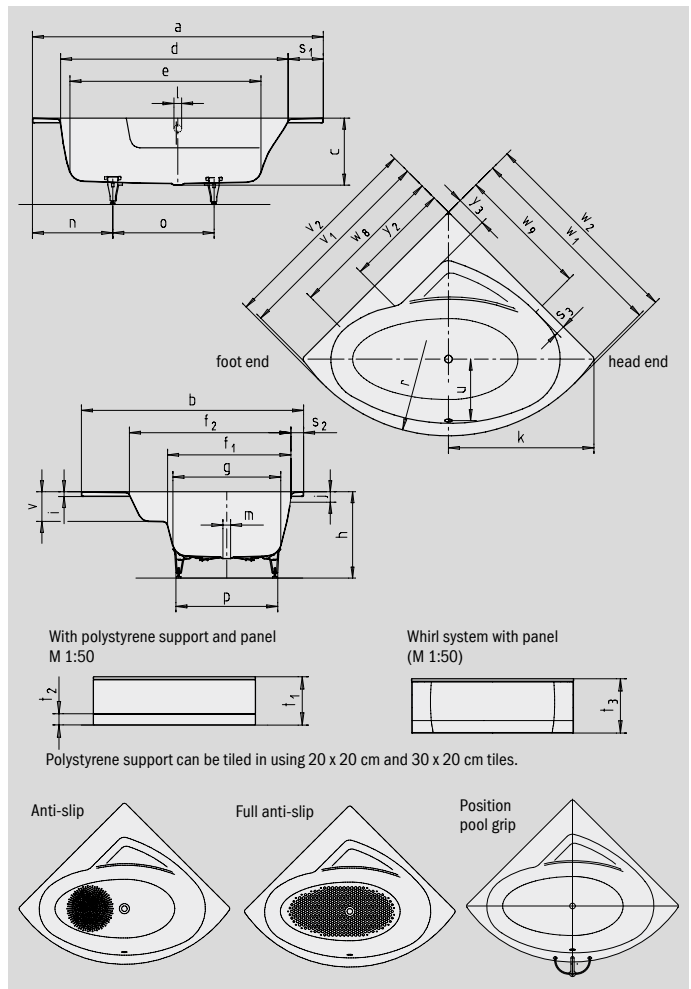
	Model Order No.	Dimensions cm	Colour price groups				EUR
			I (alpine white)	II	III	IV	
PLAZA DUO right optional special leg set Mod. 5037	190 2370 0001 xxxx	180 x 120/80 x 43					
Model with grip holes on one side available without extra charge	xxxx 1011 xxxx						
ACCESSORIES REQUIRED							
Special leg set for PLAZA DUO	5037 5831 7000 0000						
and							
COMFORT-LEVEL special, chrome see page 148	4003 6877 7065 0000						
COMFORT-LEVEL PLUS special, chrome see page 148	4013 6877 7066 0000						
OPTIONAL SURFACE FINISHES							
Extra charge for easy-clean finish	xxxxxxxx 3 xxx						
Anti-slip Anti-slip enamel							
Full anti-slip Full anti-slip enamel							
Please take into account when ordering anti-slip and full anti-slip finish the configuration of the KALDEWEI item number (see page 353). More information can be found on page 168 - 169.							
OPTIONAL ACCESSORIES							
Grip ELEGANT PURISM Type B (1 grip), see page 160	chrome	5905 7000 0999					
SOUND WAVE see page 171	6800 5845 7600 0000						
COMFORT SELECT TYPE A Electronic controls with operating panel, chrome for more information see page 154	4500 6897 2008 0999						
and							
COMFORT SELECT out and overflow fitting Standard without filling function. Further information and also shower hose options s. p. 158 - 159.	4501 6897 2009 0999						
COMFORT SELECT out and overflow fitting Standard with integrated filling function. The 4502 fitting requires a non return valve. This is not included. Further information and also shower hose options s. p. 158 - 159.	4502 6897 2000 x0999						
Baths incl. wellness-system with easy-clean finish. Pre-assembled in factory. Parts supplied: bath, wellness technology, waste and overflow fittings, leg set. Special equipment whirl systems see page 180. MULTIVERSO panelling system for wellness baths see page 182 - 183. The whirl system order form is available at www.kaldewei.com							
SKIN TOUCH see page 176	190	180 x 120/80 x 43					
SKIN TOUCH emotion see page 176	190	180 x 120/80 x 43					
VIVO TURBO 6 side jets also compatible with COMFORT SELECT	190	180 x 120/80 x 43					
VIVO TURBO PLUS 6 side jets also compatible with COMFORT SELECT	190	180 x 120/80 x 43					
VIVO VITA 12 floor jets	190	180 x 120/80 x 43					
VIVO AQUA ECO 6 side jets	190	180 x 120/80 x 43					
VIVO AQUA 8 side jets	190	180 x 120/80 x 43					
VIVO VARIO ECO 8 side jets, 12 floor jets	190	180 x 120/80 x 43					
VIVO VARIO PLUS 8 side jets, 12 floor jets sowie as well as 4 microjets in the back and 2 microjets in the foot area	190	180 x 120/80 x 43					

PUNTA DUO 3

- comfortable corner bath which offers a generous design
- compact external dimensions, with a floor length of 129 cm yet still very spacious
- side bank for fittings and arm rest which can also be used as a seat
- made of KALDEWEI steel enamel
- also available with panel

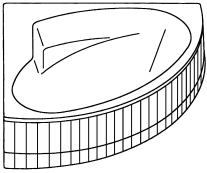
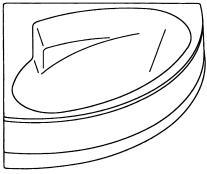


Similar illustration



Model No.		910
External length	a	1966 mm
External width	b	1502 mm
Depth	c	450 mm
Internal length (top)	d	1540 mm
Internal length (bottom)	e	1290 mm
Internal width (top)	f ₁ ; f ₂	835; 1090 mm
Internal width (bottom)	g	730 mm
Height with feet	h	576-611 mm
Height of rim	i	32 mm
Distance top edge to centre of overflow hole	j	70 mm
Distance bath edge to centre of drain hole	k	983 mm
Diameter of overflow hole	l	52 mm
Diameter of drain hole	m	52 mm
Distance foot end of bath edge to centre of foot	n	545 mm
Distance between the feet	o	715 mm
Max. width of feet	p	615 mm
Radius	r ₁	1200 mm
Width of rim (foot end; lengthwise)	s ₁ ; s ₂ ; s ₃	225; 85; 60 mm
Height with support and panel	t ₁	585 mm
Height of base	t ₂	135 mm
Height with whirl system	t ₃	660 mm
Distance between centre holes	u	415 mm
Armrest depth	v	200 mm
Side length; Side length incl. bend	v ₁ ; v ₂	1400; 1420 mm
Side width; Side width incl. bend	w ₁ ; w ₂	1400; 1420 mm
Narrowest point (for wall inlet fittings)	w ₃ ; w ₃	1066; 895 mm
Shelf (length; width)	y ₂ ; y ₃	660; 210 mm
Water volume** in litres		223
Weight of the enamelled bath in kg		62
Anti-slip		∅ 435 mm
Full anti-slip		999 x 462 mm

Subject to technical alterations, tolerances and errors. Similar illustration.
 ** 70 litres displacement on average.

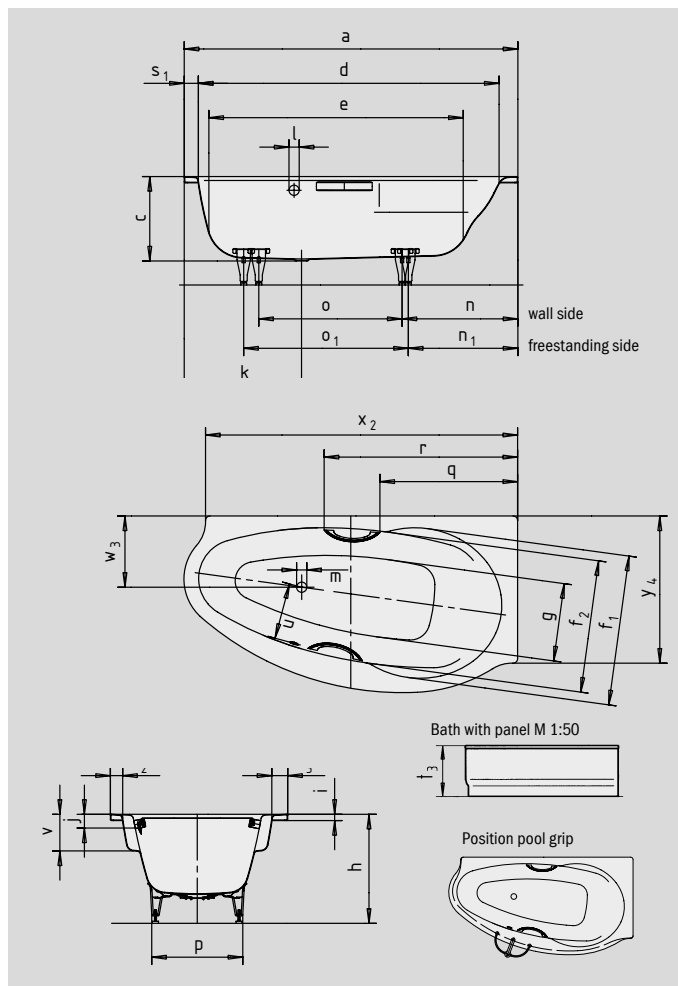
	Model Order No.	Dimensions cm	Colour price groups				EUR
			I (alpine white)	II	III	IV	
PUNTA DUO 3 optional special leg set Mod. 5037	910-1 2283 0001 xxxx	140 x 140 x 45					
with polystyrene support  Total height incl. support: 58,5 cm	910-2 2283 4804 xxxx	140 x 140 x 45					
with polystyrene support and panel**  Total height incl. support: 58,5 cm Panel is pre-assembled on support in the factory.	910-3** 2283 4803 xxxx	140 x 140 x 45					
** Panel colours: aegean, alpine white, edelweiss, manhattan, natura, pergamon, star white, black (colour code and colour price group see page 170).							
ACCESSORIES REQUIRED							
Special leg set for PUNTA DUO 3	5037 5831 7000 0000						
and							
COMFORT-LEVEL special, chrome see page 148	4003 6877 7065 0000						
COMFORT-LEVEL PLUS special, chrome see page 148	4013 6877 7066 0000						
OPTIONAL SURFACE FINISHES							
Extra charge for easy-clean finish	xxxxxxx 3 xxx						
Anti-slip Anti-slip enamel							
Full anti-slip Full anti-slip enamel							
Please take into account when ordering anti-slip and full anti-slip finish the configuration of the KALDEWEI item number (see page 353). More information can be found on page 168 - 169.							
OPTIONAL ACCESSORIES							
SOUND WAVE (not for Mod. 910-2, 910-3) see page 171	6800 5845 7600 0000						
COMFORT SELECT TYPE A (Mod. 910-1) Electronic controls with operating panel, chrome for more information see page 154	4500 6897 2008 0999						
and							
COMFORT SELECT out and overflow fitting Standard without filling function. Further information and also shower hose options s. p. 158 - 159.	4501 6897 2009 0999						
COMFORT SELECT out and overflow fitting Standard with integrated filling function The 4502 fitting requires a non return valve. This is not included. Further information and also shower hose options s. p. 158 - 159.	4502 6897 2000 x0999						
Baths incl. wellness-system with easy-clean finish. Pre-assembled in factory. Parts supplied: bath, wellness technology, waste and overflow fittings, leg set. Special equipment whirl systems see page 180. The whirl system order form is available at www.kaldewei.com							
SKIN TOUCH see page 176	910	140 x 140 x 45					
SKIN TOUCH emotion see page 176	910	140 x 140 x 45					
VIVO TURBO 6 side jets with additional panel also compatible with COMFORT SELECT	910 910-3	140 x 140 x 45 140 x 140 x 45					
VIVO TURBO PLUS 6 side jets with additional panel also compatible with COMFORT SELECT	910 910-3	140 x 140 x 45 140 x 140 x 45					
VIVO VITA 10 floor jets with additional panel	910 910-3	140 x 140 x 45 140 x 140 x 45					
VIVO AQUA ECO 6 side jets with additional panel	910 910-3	140 x 140 x 45 140 x 140 x 45					
VIVO AQUA 8 side jets with additional panel	910 910-3	140 x 140 x 45 140 x 140 x 45					
VIVO VARIO ECO 8 side jets, 10 floor jets with additional panel	910 910-3	140 x 140 x 45 140 x 140 x 45					
VIVO VARIO PLUS 8 side jets, 10 floor jets + 2 microjets each in the back and foot area with additional panel	910 910-3	140 x 140 x 45 140 x 140 x 45					

STUDIO LEFT STUDIO STAR LEFT

- harmoniously designed corner bath with left and right installation options
- generously proportioned area for the back and integrated arm rests
- made of KALDEWEI steel enamel
- also available with panel and grips



Similar illustration



GRIP DISCREET OPULENCE




(not for Mod.
828-2, 828-3,
829-2, 829-3)

Model No.		828 / 829
External length	a	1700 mm
External width	b	900 mm
Depth	c	430 mm
Internal length (top)	d	1545 mm
Internal length (bottom)	e	1290 mm
Internal width (top)	f ₁ ; f ₂	765; 675 mm
Internal width (bottom)	g	340 mm
Height with feet	h	550-575 mm
Height of rim	i	32 mm
Distance top edge to centre of overflow hole	j	70 mm
Distance bath edge to centre of drain hole	k	600 mm
Diameter of overflow hole	l	52 mm
Diameter of drain hole	m	52 mm
Distance foot end of bath edge to centre of foot	n; n ₁	590; 558 mm
Distance between the feet	o; o ₁	745; 880 mm
Max. width of feet	p	525 mm
Distance bath edge to where grip/handle starts (Mod. 829)	q	702 mm
Distance bath edge to where grip/handle ends (Mod. 829)	r	986 mm
Width of rim (foot end; lengthwise)	s ₁ ; s ₂ ; s ₃	75; 60; 140 mm
Height with support and panel	t ₃	560 mm
Distance between centre holes	u	290 mm
Armrest depth	v	200 mm
Distance bath (lengthwise) to drain hole	w ₃	363 mm
Side length (lengthwise)	x ₂	1590 mm
Side length (head end)	y ₄	750 mm
Water volume** in litres		149
Weight of the enamelled bath in kg		54
Anti-slip		∅ 288 mm
Full anti-slip		600 x 220 mm

Note: The operational system may protrude on some whirl systems.
Please refer to the Technical Information for Whirl Systems for further information.
Subject to technical alterations, tolerances and errors. Similar illustration.
** 70 litres displacement on average.

KALDEWEI

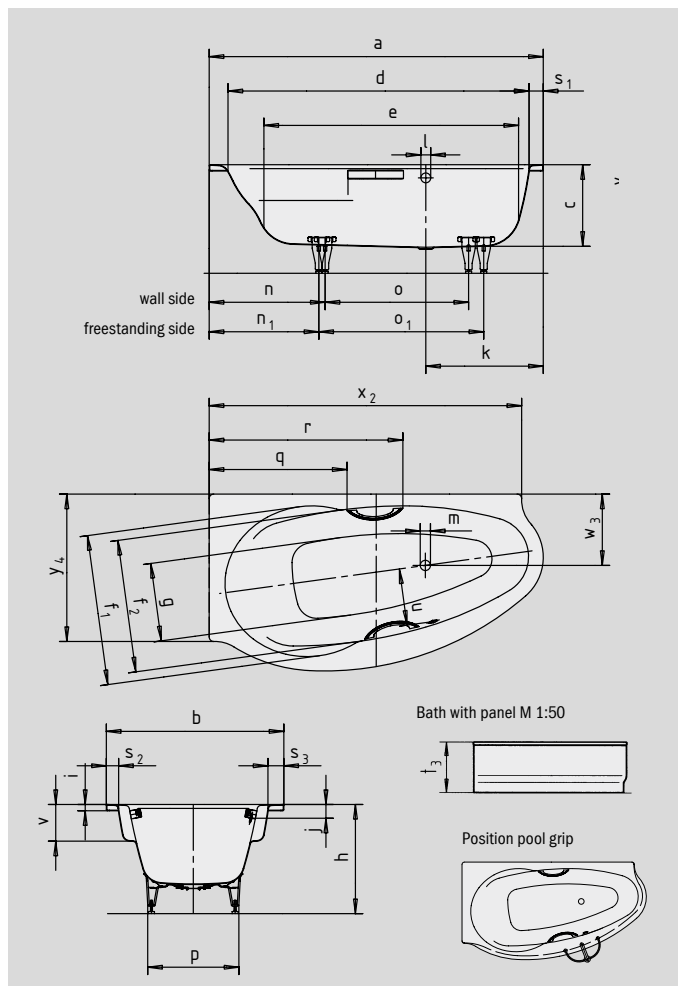
	Model Order No.	Dimensions cm	Colour price groups				EUR
			I (alpine white)	II	III	IV	
STUDIO/STUDIO STAR* left optional special leg set Mod. 5037	828-1 2228 0001 xxxx 829-1* 2229 0001 xxxx	170 x 90 x 43 170 x 90 x 43					
with polystyrene support	828-2 2228 4804 xxxx 829-2* 2229 4804 xxxx	170 x 90 x 43 170 x 90 x 43					
with polystyrene support and panel** 	828-3** 2228 4803 xxxx 829-3*** 2229 4803 xxxx	170 x 90 x 43 170 x 90 x 43					
* for mounting grips, grips subject to surcharge ** Panel colours: aegean, alpine white, edelweiss, manhattan, natura, pergamon, star white, black (colour code and colour price group see page 170).							
ACCESSORIES REQUIRED							
Special leg set for STUDIO/STUDIO STAR	5037 5831 7000 0000						
and							
COMFORT-LEVEL extended, chrome see page 148	4002 6877 7051 0000						
COMFORT-LEVEL PLUS extended, chrome see page 148	4012 6877 7062 0000						
OPTIONAL SURFACE FINISHES							
Extra charge for easy-clean finish	xxxxxxx3xxx						
Anti-slip Anti-slip enamel							
Full anti-slip Full anti-slip enamel							
Please take into account when ordering anti-slip and full anti-slip finish the configuration of the KALDEWEI item number (see page 353). More information can be found on page 168-169.							
OPTIONAL ACCESSORIES							
Grips DISCREET OPULENCE AVANTGARDE COLLECTION Type D (2 grips), see page 160	chrome	5903 7000 0999					
SOUND WAVE (not for Mod. 828-2, 828-3, 829-2, 829-3) see page 171	6800 5845 7600 0000						
COMFORT SELECT TYPE A (Mod. 828-1/829-1) Electronic controls with operating panel, chrome for more information see page 154	4500 6897 2008 0999						
and							
COMFORT SELECT out and overflow fitting Standard without filling function. Further information and also shower hose options s. p. 158-159.	4501 6897 2009 0999						
COMFORT SELECT out and overflow fitting Standard with integrated filling function. The 4502 fitting requires a non return valve. This is not included. Further information and also shower hose options s. p. 158-159.	4502 6897 2000 x0999						
Baths incl. wellness-system with easy-clean finish. Pre-assembled in factory. Parts supplied: bath, wellness technology, waste and overflow fittings, leg set. Special equipment whirl systems see page 180. The whirl system order form is available at www.kaldewei.com							
VIVO TURBO 6 side jets with additional panel also compatible with COMFORT SELECT	828/829 828-3/829-3	170 x 90 x 43 170 x 90 x 43					
VIVO TURBO PLUS 6 side jets with additional panel also compatible with COMFORT SELECT	828/829 828-3/829-3	170 x 90 x 43 170 x 90 x 43					

STUDIO RIGHT STUDIO STAR RIGHT

- harmoniously designed corner bath with left and right installation options
- generously proportioned area for the back and integrated arm rests
- made of KALDEWEI steel enamel
- also available with panel and grips



Similar illustration



GRIP DISCREET OPULENCE




SOUND WAVE **COMFORT SELECT**

(not for Mod. 826-2, 826-3, 827-2, 827-3)

Model No.		826 / 827
External length	a	1700 mm
External width	b	900 mm
Depth	c	430 mm
Internal length (top)	d	1545 mm
Internal length (bottom)	e	1290 mm
Internal width (top)	f ₁ ; f ₂	765; 675 mm
Internal width (bottom)	g	340 mm
Height with feet	h	550-575 mm
Height of rim	i	32 mm
Distance top edge to centre of overflow hole	j	70 mm
Distance bath edge to centre of drain hole	k	600 mm
Diameter of overflow hole	l	52 mm
Diameter of drain hole	m	52 mm
Distance foot end of bath edge to centre of foot	n; n ₁	590; 558 mm
Distance between the feet	o; o ₁	745; 880 mm
Max. width of feet	p	525 mm
Distance bath edge to where grip/handle starts (Mod. 827)	q	702 mm
Distance bath edge to where grip/handle ends (Mod. 827)	r	986 mm
Width of rim (foot end; lengthwise)	s ₁ ; s ₂ ; s ₃	75; 60; 140 mm
Height with support and panel	t ₃	560 mm
Distance between centre holes	u	290 mm
Armrest depth	v	200 mm
Distance bath (lengthwise) to drain hole	w ₃	363 mm
Side length (lengthwise)	x ₂	1590 mm
Side length (head end)	y ₄	750 mm
Water volume** in litres		149
Weight of the enamelled bath in kg		54
Anti-slip		∅ 288 mm
Full anti-slip		600 x 220 mm

Note: The operational system may protrude on some whirl systems.
Please refer to the Technical Information for Whirl Systems for further information.
Subject to technical alterations, tolerances and errors. Similar illustration.
** 70 litres displacement on average.

	Model Order No.	Dimensions cm	Colour price groups				EUR
			I (alpine white)	II	III	IV	
STUDIO/STUDIO STAR* right optional special leg set Mod. 5037	826-1 2222 2001 xxxx 827-1* 2223 3001 xxxx	170 x 90 x 43 170 x 90 x 43					
with polystyrene support	826-2 2222 4804 xxxx 827-2* 2223 4804 xxxx	170 x 90 x 43 170 x 90 x 43					
with polystyrene support and panel** 	826-3** 2222 4803 xxxx 827-3*** 2223 4803 xxxx	170 x 90 x 43 170 x 90 x 43					
* for mounting grips, grips subject to surcharge ** Panel colours: aegean, alpine white, edelweiss, manhattan, natura, pergamon, star white, black (colour code and colour price group see page 170).							
ACCESSORIES REQUIRED							
Special leg set for STUDIO/STUDIO STAR	5037 5831 7000 0000						
and							
COMFORT-LEVEL extended, chrome see page 148	4002 6877 7051 0000						
COMFORT-LEVEL PLUS extended, chrome see page 148	4012 6877 7062 0000						
OPTIONAL SURFACE FINISHES							
Extra charge for easy-clean finish	xxxxxxx3xxx						
Anti-slip Anti-slip enamel							
Full anti-slip Full anti-slip enamel							
Please take into account when ordering anti-slip and full anti-slip finish the configuration of the KALDEWEI item number (see page 353). More information can be found on page 168-169.							
OPTIONAL ACCESSORIES							
Grips DISCREET OPULENCE AVANTGARDE COLLECTION Type D (2 grips), see page 160	chrome	5903 7000 0999					
SOUND WAVE (not for Mod. 826-2, 826-3, 827-2, 827-3) see page 171	6800 5845 7600 0000						
COMFORT SELECT TYPE A (826-1/827-1) Electronic controls with operating panel, chrome for more information see page 154	4500 6897 2008 0999						
and							
COMFORT SELECT out and overflow fitting Standard without filling function. Further information and also shower hose options s. p. 158-159.	4501 6897 2009 0999						
COMFORT SELECT out and overflow fitting Standard with integrated filling function. The 4502 fitting requires a non return valve. This is not included. Further information and also shower hose options s. p. 158-159.	4502 6897 2000 x0999						
Baths incl. wellness-system with easy-clean finish. Pre-assembled in factory. Parts supplied: bath, wellness technology, waste and overflow fittings, leg set. Special equipment whirl systems see page 180. The whirl system order form is available at www.kaldewei.com							
VIVO TURBO 6 side jets with additional panel also compatible with COMFORT SELECT	826/827 826-3/827-3	170 x 90 x 43 170 x 90 x 43					
VIVO TURBO PLUS 6 side jets with additional panel also compatible with COMFORT SELECT	826/827 826-3/827-3	170 x 90 x 43 170 x 90 x 43					

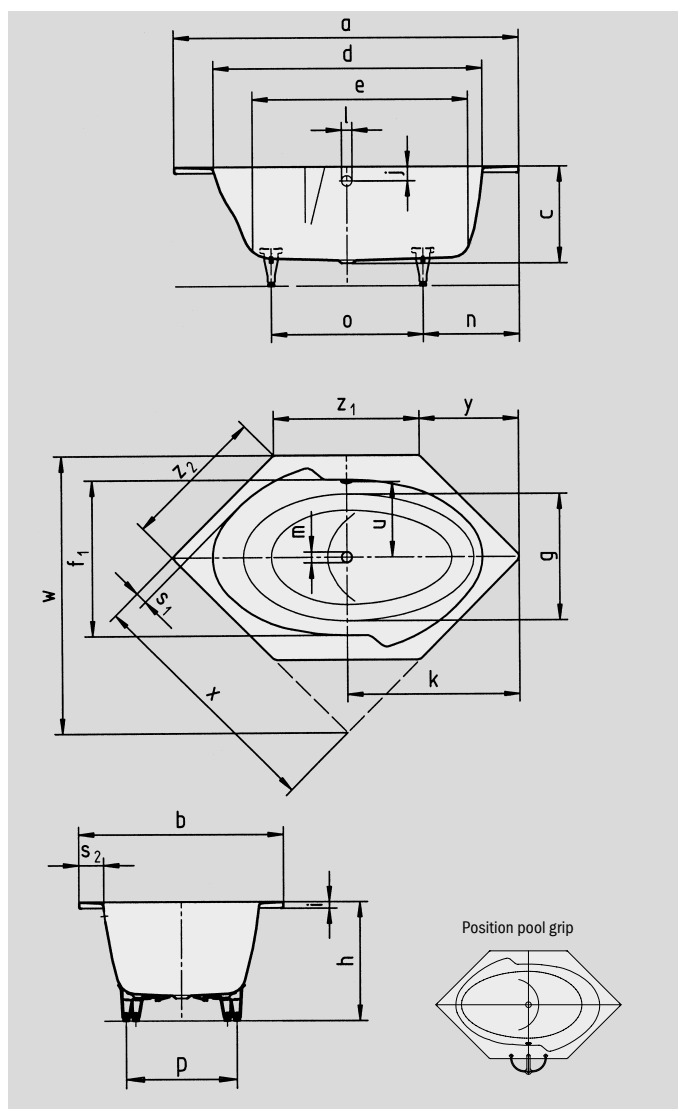
TWIN POOL

- unmistakable style: interior ellipse with hexagonal exterior contours
- large interior despite compact exterior contours
- diverse installation possibilities, also corner installation
- made of Kaldewei steel enamel



Similar illustration, illustration shows left-hand model (standard)

To order the bath with opposite overflow, please order model xxxx**2300**xxxx.



Model No.		660
External length	a	1700 mm
External width	b	1000 mm
Depth	c	470 mm
Internal length (top)	d	1325 mm
Internal length (bottom)	e	1050 mm
Internal width (top)	f ₁ ; f ₂	750; 850 mm
Internal width (bottom)	g	550 mm
Height with feet	h	591-651 mm
Height of rim	i	32 mm
Distance top edge to centre of overflow hole	j	70 mm
Distance bath edge to centre of drain hole	k	850 mm
Diameter of overflow hole	l	52 mm
Diameter of drain hole	m	52 mm
Distance foot end of bath edge to centre of foot	n	544 mm
Distance between the feet	o	612 mm
Max. width of feet	p	515 mm
Width of rim (diagonal; lengthwise)	s ₁ ; s ₂	55; 120 mm
Distance between centre holes	u	373 mm
Installation dimension	w	1360 mm
Side length	x	1215 mm
Oblique	y	490 mm
Side length	z ₁ ; z ₂	720; 707 mm
Water volume** in litres		150
Weight of the enamelled bath in kg		48
Anti-slip		∅ 435 mm
Full anti-slip		- mm

Subject to technical alterations, tolerances and errors. Similar illustration.
** 70 litres displacement on average.

KALDEWEI

	Model Order No.	Dimensions cm	Colour price groups				EUR
			I (alpine white)	II	III	IV	
TWIN POOL optional special leg set Mod. 5037	660 2281 0001 xxxx	170 x 100 x 47					
Design with opposite overflow available without extra charge	xxxx 2300 xxxx						
ACCESSORIES REQUIRED							
Special leg set for TWIN POOL	5037 5831 7000 0000						
and							
COMFORT-LEVEL extended, chrome see page 148	4002 6877 7051 0000						
COMFORT-LEVEL PLUS extended, chrome see page 148	4012 6877 7062 0000						
OPTIONAL SURFACE FINISHES							
Extra charge for easy-clean finish	xxxxxxx 3 xxx						
Anti-slip Anti-slip enamel							
Please take into account when ordering anti-slip and full anti-slip finish the configuration of the KALDEWEI item number (see page 353). More information can be found on page 168 - 169.							
OPTIONAL ACCESSORIES							
SOUND WAVE see page 171	6800 5845 7600 0000						
COMFORT SELECT TYPE A Electronic controls with operating panel, chrome for more information see page 154	4500 6897 2008 0999						
and							
COMFORT SELECT out and overflow fitting Standard without filling function. Further information and also shower hose options s. p. 158 - 159.	4501 6897 2009 0999						
COMFORT SELECT out and overflow fitting Standard with integrated filling function. The 4502 fitting requires a non return valve. This is not included. Further information and also shower hose options s. p. 158 - 159.	4502 6897 2000 x0999						
Baths incl. wellness-system with easy-clean finish. Pre-assembled in factory. Parts supplied: bath, wellness technology, waste and overflow fittings, leg set. Special equipment whirl systems see page 180. MULTIVERSO panelling system for wellness baths see page 182 - 183. The whirl system order form is available at www.kaldewei.com							
VIVO TURBO 6 side jets also compatible with COMFORT SELECT	660	170 x 100 x 47					
VIVO TURBO PLUS 6 side jets also compatible with COMFORT SELECT	660	170 x 100 x 47					

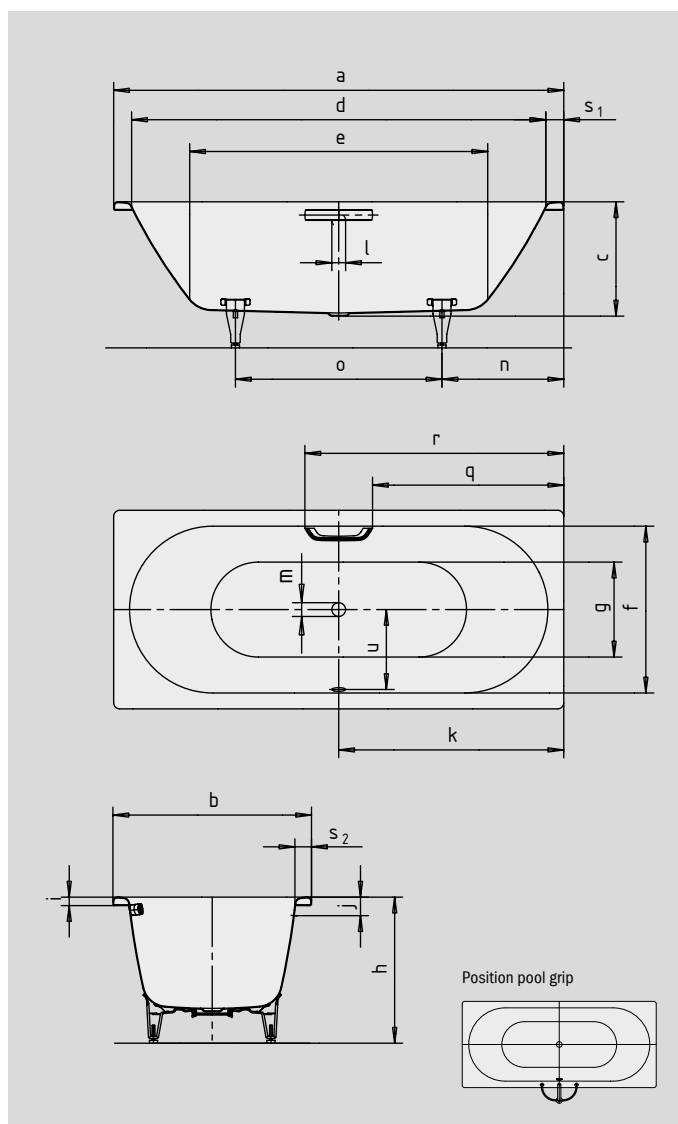
CLASSIC DUO

- pure simplicity and unpretentious elegance are what distinguish these baths
- bathing with a friend: two identical back rests and centrally positioned waste
- classical four-cornered model
- made of KALDEWEI steel enamel



Similar illustration

To order the bath with pre-drilled grip holes on one side, please order model xxxx**1011**xxxx.



Grip DISCREET OPULENCE



Model No.		103	105	107
External length	a	1600	1700	1700 mm
External width	b	700	700	750 mm
Depth	c	430	430	430 mm
Internal length (top)	d	1480	1580	1580 mm
Internal length (bottom)	e	1030	1130	1130 mm
Internal width (top)	f	580	580	630 mm
Internal width (bottom)	g	450	450	500 mm
Height with feet	h	570-605	565-600	560-595 mm
Height of rim	i	32	32	32 mm
Distance top edge to centre of overflow hole	j	70	70	70 mm
Distance bath edge to centre of drain hole	k	800	850	850 mm
Diameter of overflow hole	l	52	52	52 mm
Diameter of drain hole	m	52	52	52 mm
Distance foot end of bath edge to centre of foot	n	560	560	560 mm
Distance between the feet	o	480	580	580 mm
Max. width of feet	p	430	420	470 mm
Distance bath edge to where grip/handle starts	q	672	722	722 mm
Distance bath edge to where grip/handle ends	r	928	978	978 mm
Width of rim (foot end; lengthwise)	s ₁ ; s ₂	60; 60	60; 60	60; 60 mm
Distance between centre holes	u	280	280	305 mm
Water volume** in litres		95	110	122
Weight of the enamelled bath in kg		44	47	48
Anti-slip		Ø 288	Ø 288	Ø 435 mm
Full anti-slip		850 x 240	900 x 300	900 x 300 mm

Note: The operational system may protrude on some whirl systems.
Please refer to the Technical Information for Whirl Systems for further information.
Subject to technical alterations, tolerances and errors. Similar illustration.
** 70 litres displacement on average.

KALDEWEI

	Model Order No.	Dimensions cm	Colour price groups				EUR
			I (alpine white)	II	III	IV	
CLASSIC DUO ALLROUND leg set Mod. 5030 is mandatory	103 2903 0001 xxxx 105 2905 0001 xxxx 107 2907 0001 xxxx	160 x 70 x 43 170 x 70 x 43 170 x 75 x 43					
Model with grip holes on one side available without extra charge	xxxx 101 xxxx						
ACCESSORIES REQUIRED							
Leg set ALLROUND see page 151	5030 5814 7000 0000						
and							
COMFORT-LEVEL extended, chrome see page 148	4002 6877 7051 0000						
COMFORT-LEVEL PLUS extended, chrome see page 148	4012 6877 7062 0000						
OPTIONAL SURFACE FINISHES							
Extra charge for easy-clean finish	xxxxxxx 3 xxx						
Anti-slip Anti-slip enamel							
Full anti-slip Full anti-slip enamel							
Please take into account when ordering anti-slip and full anti-slip finish the configuration of the KALDEWEI item number (see page 353). More information can be found on page 168 - 169.							
OPTIONAL ACCESSORIES							
Grip DISCREET OPULENCE Type A (1 grip), see page 161	chrome	5906 7000 0999					
SOUND WAVE see page 171	6800 5845 7600 0000						
COMFORT SELECT TYPE A Electronic controls with operating panel, chrome for more information see page 154	4500 6897 2008 0999						
and							
COMFORT SELECT out and overflow fitting Standard without filling function. Further information and also shower hose options s. p. 158 - 159.	4501 6897 2009 0999						
COMFORT SELECT out and overflow fitting Standard with integrated filling function. The 4502 fitting requires a non return valve. This is not included. Further information and also shower hose options s. p. 158 - 159.	4502 6897 2000 x0999						
Baths incl. wellness-system with easy-clean finish. Pre-assembled in factory. Parts supplied: bath, wellness technology, waste and overflow fittings, leg set. Special equipment whirl systems see page 180. MULTIVERSO panelling system for wellness baths see page 182 - 183. The whirl system order form is available at www.kaldewei.com							
SKIN TOUCH see page 176	105 107	170 x 70 x 43 170 x 75 x 43					
SKIN TOUCH emotion see page 176	105 107	170 x 70 x 43 170 x 75 x 43					
VIVO TURBO 6 side jets also compatible with COMFORT SELECT	105 107	170 x 70 x 43 170 x 75 x 43					
VIVO TURBO PLUS 6 side jets also compatible with COMFORT SELECT	105 107	170 x 70 x 43 170 x 75 x 43					
VIVO VITA 10 floor jets	105 107	170 x 70 x 43 170 x 75 x 43					
VIVO AQUA ECO 6 side jets	105 107	170 x 70 x 43 170 x 75 x 43					
VIVO AQUA 8 side jets	105 107	170 x 70 x 43 170 x 75 x 43					
VIVO VARIO ECO 8 side jets, 10 floor jets	105 107	170 x 70 x 43 170 x 75 x 43					
VIVO VARIO PLUS 8 side jets, 10 floor jets + 2 microjets each in the back and foot area	105 107	170 x 70 x 43 170 x 75 x 43					

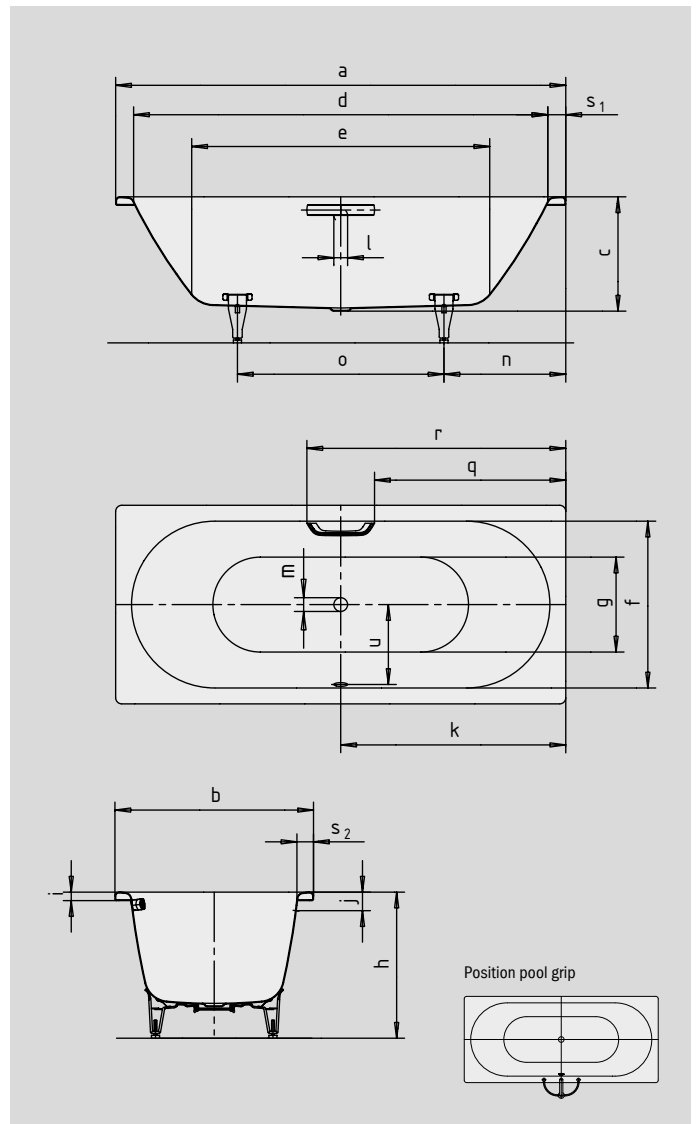
CLASSIC DUO

- pure simplicity and unpretentious elegance are what distinguish these baths
- bathing with a friend: two identical back rests and centrally positioned waste
- classical four-cornered model
- made of KALDEWEI steel enamel



Similar illustration

To order the bath with pre-drilled grip holes on one side, please order model xxxx**1011**xxxx.



Grip DISCREET OPULENCE



Model No.		109	110	114
External length	a	1800	1800	1900 mm
External width	b	750	800	900 mm
Depth	c	430	430	430 mm
Internal length (top)	d	1680	1680	1780 mm
Internal length (bottom)	e	1230	1230	1330 mm
Internal width (top)	f	630	680	780 mm
Internal width (bottom)	g	500	550	650 mm
Height with feet	h	560-595	555-590	550-580 mm
Height of rim	i	32	32	32 mm
Distance top edge to centre of overflow hole	j	70	70	70 mm
Distance bath edge to centre of drain hole	k	900	900	950 mm
Diameter of overflow hole	l	52	52	52 mm
Diameter of drain hole	m	52	52	52 mm
Distance foot end of bath edge to centre of foot	n	600	600	630 mm
Distance between the feet	o	600	600	640 mm
Max. width of feet	p	470	540	650 mm
Distance bath edge to where grip/handle starts	q	772	772	822 mm
Distance bath edge to where grip/handle ends	r	1028	1028	1078 mm
Width of rim (foot end; lengthwise)	s ₁ ; s ₂	60; 60	60; 60	60; 60 mm
Distance between centre holes	u	305	330	380 mm
Water volume** in litres		143	158	213
Weight of the enamelled bath in kg		50	53	62
Anti-slip		∅ 435	∅ 435	∅ 435 mm
Full anti-slip		900 x 300	900 x 300	1097 x 406 mm

Note: The operational system may protrude on some whirl systems.
Please refer to the Technical Information for Whirl Systems for further information.
Subject to technical alterations, tolerances and errors. Similar illustration.
** 70 litres displacement on average.

KALDEWEI

	Model Order No.	Dimensions cm	Colour price groups				EUR
			I (alpine white)	II	III	IV	
CLASSIC DUO optional ALLROUND leg set Mod. 5030 optional special leg set Mod. 5032	109 29090001xxxx	180 x 75 x 43					
	110 29100001xxxx	180 x 80 x 43					
	114 29150001xxxx	190 x 90 x 43					
Model with grip holes on one side available without extra charge	xxxx101Ixxxx						
ACCESSORIES REQUIRED							
Leg set ALLROUND see page 151	5030 581470000000						
Special leg set for CLASSIC DUO Mod. 110, 114	5032 581670000000						
Special leg set for CLASSIC DUO Mod. 114	5037 583170000000						
and							
COMFORT-LEVEL extended, chrome see page 148	4002 687770510000						
COMFORT-LEVEL PLUS extended, chrome see page 148	4012 687770620000						
OPTIONAL SURFACE FINISHES							
Extra charge for easy-clean finish	xxxxxxx3xxx						
Anti-slip Anti-slip enamel							
Full anti-slip Full anti-slip enamel							
Please take into account when ordering anti-slip and full anti-slip finish the configuration of the KALDEWEI item number (see page 353). More information can be found on page 168 - 169.							
OPTIONAL ACCESSORIES							
Grip DISCREET OPULENCE Type A (1 grip), see page 161	chrome	59067000999					
SOUND WAVE see page 171	6800 584576000000						
COMFORT SELECT TYPE A Electronic controls with operating panel, chrome for more information see page 154	4500 689720080999						
and							
COMFORT SELECT out and overflow fitting Standard without filling function. Further information and also shower hose options s. p. 158 - 159.	4501 689720090999						
COMFORT SELECT out and overflow fitting Standard with integrated filling function. The 4502 fitting requires a non return valve. This is not included. Further information and also shower hose options s. p. 158 - 159.	4502 68972000x0999						
Baths incl. wellness-system with easy-clean finish. Pre-assembled in factory. Parts supplied: bath, wellness technology, waste and overflow fittings, leg set. Special equipment whirl systems see page 180. MULTIVERSO panelling system for wellness baths see page 182 - 183. The whirl system order form is available at www.kaldewei.com							
SKIN TOUCH see page 176	109 110 114	180 x 75 x 43 180 x 80 x 43 190 x 90 x 43					
SKIN TOUCH emotion see page 176	109 110 114	180 x 75 x 43 180 x 80 x 43 190 x 90 x 43					
VIVO TURBO 6 side jets also compatible with COMFORT SELECT	109 110 114	180 x 75 x 43 180 x 80 x 43 190 x 90 x 43					
VIVO TURBO PLUS 6 side jets also compatible with COMFORT SELECT	109 110 114	180 x 75 x 43 180 x 80 x 43 190 x 90 x 43					
VIVO VITA 10 floor jets	109 110 114	180 x 75 x 43 180 x 80 x 43 190 x 90 x 43					
VIVO AQUA ECO 6 side jets	109 110 114	180 x 75 x 43 180 x 80 x 43 190 x 90 x 43					
VIVO AQUA 8 side jets	109 110 114	180 x 75 x 43 180 x 80 x 43 190 x 90 x 43					
VIVO VARIO ECO 8 side jets, 10 floor jets	109 110 114	180 x 75 x 43 180 x 80 x 43 190 x 90 x 43					
VIVO VARIO PLUS 8 side jets, 10 floor jets + 2 microjets each in the back and foot area	109 110 114	180 x 75 x 43 180 x 80 x 43 190 x 90 x 43					

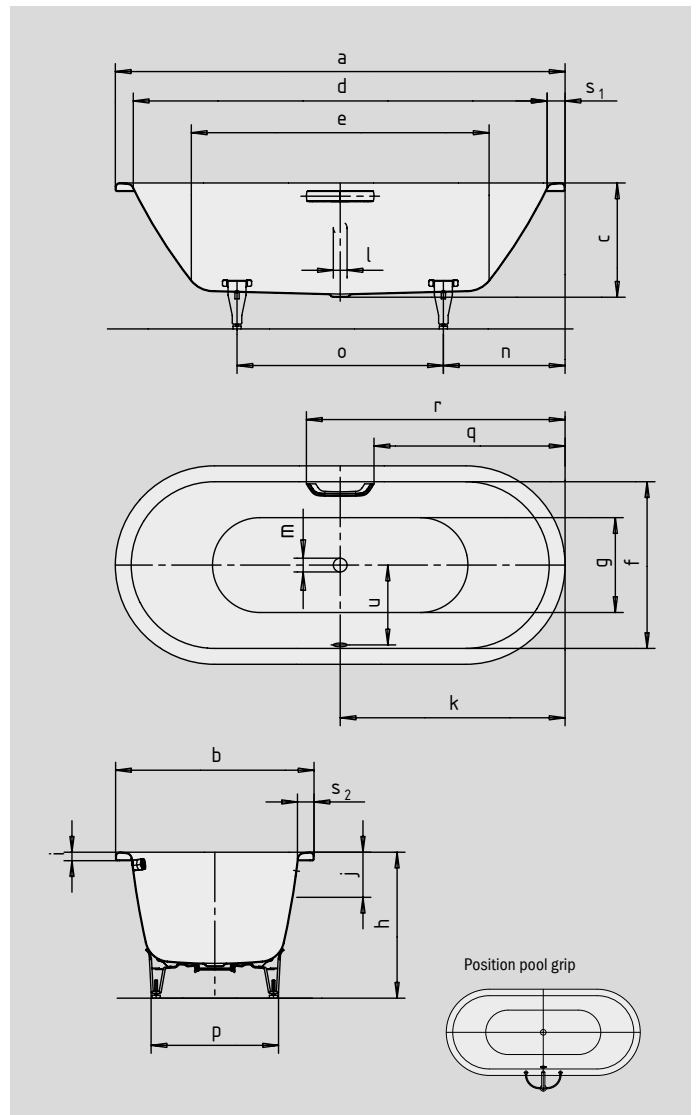
CLASSIC DUO OVAL

- pure simplicity and unpretentious elegance are what distinguish these baths
- bathing with a friend: two identical back rests and centrally positioned waste
- made of KALDEWEI steel enamel



Similar illustration

To order the bath with pre-drilled grip holes on one side, please order model xxxx**1011**xxxx.



Grip DISCREET OPULENCE



Model No.		112	116	113
External length	a	1600	1700	1700 mm
External width	b	700	700	750 mm
Depth	c	430	430	430 mm
Internal length (top)	d	1480	1580	1580 mm
Internal length (bottom)	e	1030	1130	1130 mm
Internal width (top)	f	580	580	630 mm
Internal width (bottom)	g	450	450	500 mm
Height with feet	h	560-590	565-600	555-590 mm
Height of rim	i	32	32	32 mm
Distance top edge to centre of overflow hole	j	70	70	70 mm
Distance bath edge to centre of drain hole	k	800	850	850 mm
Diameter of overflow hole	l	52	52	52 mm
Diameter of drain hole	m	52	52	52 mm
Distance foot end of bath edge to centre of foot	n	560	560	560 mm
Distance between the feet	o	480	580	580 mm
Max. width of feet	p	410	420	450 mm
Distance bath edge to where grip/handle starts	q	672	722	722 mm
Distance bath edge to where grip/handle ends	r	928	978	978 mm
Width of rim (foot end; lengthwise)	s ₁ ; s ₂	60; 60	60; 60	60; 60 mm
Distance between centre holes	u	280	280	305 mm
Water volume** in litres		95	110	124
Weight of the enamelled bath in kg		41	44	45
Anti-slip		Ø 288	Ø 288	Ø 435 mm
Full anti-slip		850 x 240	900 x 300	900 x 300 mm

Note: The operational system may protrude on some whirl systems.
Please refer to the Technical Information for Whirl Systems for further information.
Subject to technical alterations, tolerances and errors. Similar illustration.
** 70 litres displacement on average.

KALDEWEI

	Model Order No.	Dimensions cm	Colour price groups				EUR
			I (alpine white)	II	III	IV	
CLASSIC DUO OVAL ALLROUND leg set Mod. 5030 is mandatory	112 2913 0001 xxxx 116 2926 0001 xxxx 113 2914 0001 xxxx	160 x 70 x 43 170 x 70 x 43 170 x 75 x 43					
Model with grip holes on one side available without extra charge	xxxx 101 Ixxxx						
ACCESSORIES REQUIRED							
Leg set ALLROUND see page 151	5030 5814 7000 0000						
and							
COMFORT-LEVEL extended, chrome see page 148	4002 6877 7051 0000						
COMFORT-LEVEL PLUS extended, chrome see page 148	4012 6877 7062 0000						
OPTIONAL SURFACE FINISHES							
Extra charge for easy-clean finish	xxxxxxx3xxx						
Anti-slip Anti-slip enamel							
Full anti-slip Full anti-slip enamel							
Please take into account when ordering anti-slip and full anti-slip finish the configuration of the KALDEWEI item number (see page 353). More information can be found on page 168 - 169.							
OPTIONAL ACCESSORIES							
Grip DISCREET OPULENCE Type A (1 grip), see page 161	chrome	5906 7000 0999					
SOUND WAVE see page 171	6800 5845 7600 0000						
COMFORT SELECT TYPE A Electronic controls with operating panel, chrome for more information see page 154	4500 6897 2008 0999						
and							
COMFORT SELECT out and overflow fitting Standard without filling function. Further information and also shower hose options s. p. 158 - 159.	4501 6897 2009 0999						
COMFORT SELECT out and overflow fitting Standard with integrated filling function. The 4502 fitting requires a non return valve. This is not included. Further information and also shower hose options s. p. 158 - 159.	4502 6897 2000 x0999						
Baths incl. wellness-system with easy-clean finish. Pre-assembled in factory. Parts supplied: bath, wellness technology, waste and overflow fittings, leg set. Special equipment whirl systems see page 180. MULTIVERSO panelling system for wellness baths see page 182 - 183. The whirl system order form is available at www.kaldewei.com							
SKIN TOUCH see page 176	112 116 113	160 x 70 x 43 170 x 70 x 43 170 x 75 x 43					
SKIN TOUCH emotion see page 176	112 116 113	160 x 70 x 43 170 x 70 x 43 170 x 75 x 43					
VIVO TURBO 6 side jets also compatible with COMFORT SELECT	112 116 113	160 x 70 x 43 170 x 70 x 43 170 x 75 x 43					
VIVO TURBO PLUS 6 side jets also compatible with COMFORT SELECT	112 116 113	160 x 70 x 43 170 x 70 x 43 170 x 75 x 43					
VIVO VITA 10 floor jets	116 113	170 x 70 x 43 170 x 75 x 43					
VIVO AQUA ECO 6 side jets	112 116 113	160 x 70 x 43 170 x 70 x 43 170 x 75 x 43					
VIVO AQUA 6 side jets 8 side jets	112 116 113	160 x 70 x 43 170 x 70 x 43 170 x 75 x 43					
VIVO VARIO ECO 8 side jets, 10 floor jets	116 113	170 x 70 x 43 170 x 75 x 43					
VIVO VARIO PLUS 8 side jets, 10 floor jets + 2 microjets each in the back and foot area	116 113	170 x 70 x 43 170 x 75 x 43					

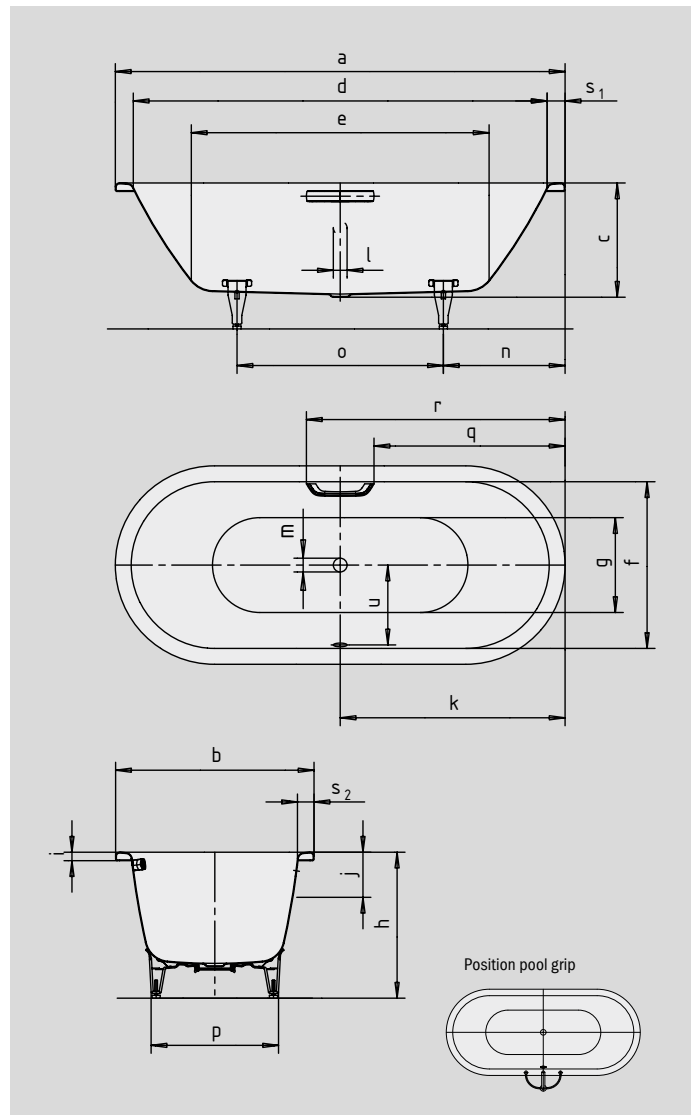
CLASSIC DUO OVAL

- pure simplicity and unpretentious elegance are what distinguish these baths
- bathing with a friend: two identical back rests and centrally positioned waste
- made of KALDEWEI steel enamel



Similar illustration

To order the bath with pre-drilled grip holes on one side, please order model xxxx**1011**xxxx.



Grip DISCREET OPULENCE



Model No.		111
External length	a	1800 mm
External width	b	800 mm
Depth	c	430 mm
Internal length (top)	d	1680 mm
Internal length (bottom)	e	1230 mm
Internal width (top)	f	680 mm
Internal width (bottom)	g	550 mm
Height with feet	h	555-590 mm
Height of rim	i	32 mm
Distance top edge to centre of overflow hole	j	70 mm
Distance bath edge to centre of drain hole	k	900 mm
Diameter of overflow hole	l	52 mm
Diameter of drain hole	m	52 mm
Distance foot end of bath edge to centre of foot	n	600 mm
Distance between the feet	o	600 mm
Max. width of feet	p	540 mm
Distance bath edge to where grip/handle starts	q	772 mm
Distance bath edge to where grip/handle ends	r	1028 mm
Width of rim (foot end; lengthwise)	s ₁ ; s ₂	60; 60 mm
Distance between centre holes	u	330 mm
Water volume** in litres		158
Weight of the enamelled bath in kg		50
Anti-slip		∅ 435 mm
Full anti-slip		900 x 300

Note: The operational system may protrude on some whirl systems.
Please refer to the Technical Information for Whirl Systems for further information.
Subject to technical alterations, tolerances and errors. Similar illustration.
** 70 litres displacement on average.

	Model Order No.	Dimensions cm	Colour price groups				EUR
			I (alpine white)	II	III	IV	
CLASSIC DUO OVAL optional special leg set Mod. 5032	111 2912 0001 xxxx	180 x 80 x 43					
Model with grip holes on one side available without extra charge	xxxx 1011 xxxx						
ACCESSORIES REQUIRED							
Special leg set for CLASSIC DUO OVAL Mod. 111	5032 5816 7000 0000						
and							
COMFORT-LEVEL extended, chrome see page 148	4002 6877 7051 0000						
COMFORT-LEVEL PLUS extended, chrome see page 148	4012 6877 7062 0000						
OPTIONAL SURFACE FINISHES							
Extra charge for easy-clean finish	xxxxxxxx 3 xxx						
Anti-slip Anti-slip enamel							
Full anti-slip Full anti-slip enamel							
Please take into account when ordering anti-slip and full anti-slip finish the configuration of the KALDEWEI item number (see page 353). More information can be found on page 168 - 169.							
OPTIONAL ACCESSORIES							
Grip DISCREET OPULENCE Type A (1 grip), see page 161	chrome	5906 7000 0999					
SOUND WAVE see page 171	6800 5845 7600 0000						
COMFORT SELECT TYPE A Electronic controls with operating panel, chrome for more information see page 154	4500 6897 2008 0999						
and							
COMFORT SELECT out and overflow fitting Standard without filling function. Further information and also shower hose options s. p. 158 - 159.	4501 6897 2009 0999						
COMFORT SELECT out and overflow fitting Standard with integrated filling function. The 4502 fitting requires a non return valve. This is not included. Further information and also shower hose options s. p. 158 - 159.	4502 6897 2000 x0999						
Baths incl. wellness-system with easy-clean finish. Pre-assembled in factory. Parts supplied: bath, wellness technology, waste and overflow fittings, leg set. Special equipment whirl systems see page 180. MULTIVERSO panelling system for wellness baths see page 182 - 183. The whirl system order form is available at www.kaldewei.com							
SKIN TOUCH see page 176	111	180 x 80 x 43					
SKIN TOUCH see page 176	111	180 x 80 x 43					
VIVO TURBO 6 side jets also compatible with COMFORT SELECT	111	180 x 80 x 43					
VIVO TURBO PLUS 6 side jets also compatible with COMFORT SELECT	111	180 x 80 x 43					
VIVO VITA 10 floor jets	111	180 x 80 x 43					
VIVO AQUA ECO 6 side jets	111	180 x 80 x 43					
VIVO AQUA 6 side jets	111	180 x 80 x 43					
VIVO VARIO ECO 8 side jets, 10 floor jets	111	180 x 80 x 43					
VIVO VARIO PLUS 8 side jets, 10 floor jets + 2 microjets each in the back and foot area	111	180 x 80 x 43					

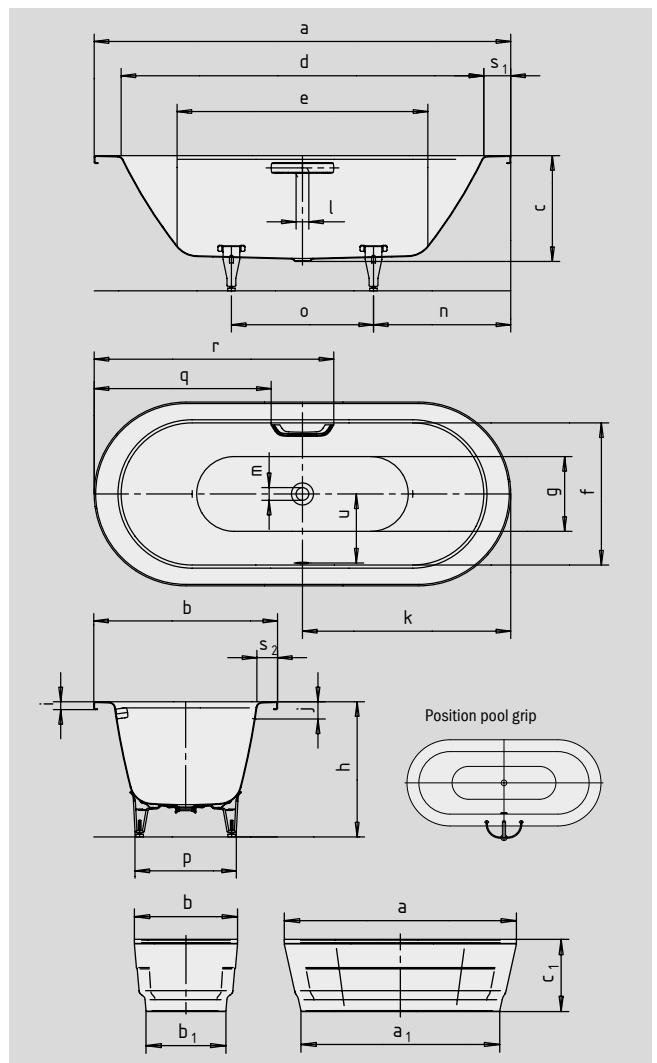
CLASSIC DUO OVAL WIDE CLASSIC DUO OVAL WIDE WITH MOULDED PANEL

- pure simplicity and unpretentious elegance are what distinguish these baths
- generously designed rim for individual tap positioning
- bathing with a friend: two identical back rests and centrally positioned waste
- made of KALDEWEI steel enamel
- the moulded panel emphasises the high design standard and enables the bath to be free-standing



Similar illustration. Panelling made of coated special PUR (polyurethane).

To order the bath with pre-drilled grip holes on one side, please order model xxxx**1011**xxxx.



Grip DISCREET OPULENCE



Model No.		115	115-7
External length	a	1800	1800 mm
External length (bottom)	a ₁	-	1530 mm
External width	b	800	800 mm
External width (bottom)	b ₁	-	608 mm
Depth	c	430	430 mm
Overall height with panel	c ₁	-	560 mm
Internal length (top)	d	1580	1580 mm
Internal length (bottom)	e	1130	1130 mm
Internal width (top)	f	580	580 mm
Internal width (bottom)	g	450	450 mm
Height with feet	h	566-596	566-596 mm
Height of rim	i	32	32 mm
Distance top edge to centre of overflow hole	j	70	70 mm
Distance bath edge to centre of drain hole	k	900	900 mm
Diameter of overflow hole	l	52	52 mm
Diameter of drain hole	m	52	52 mm
Distance foot end of bath edge to centre of foot	n	610	610 mm
Distance between the feet	o	580	580 mm
Max. width of feet	p	400	400 mm
Distance bath edge to where grip/handle starts	q	772	772 mm
Distance bath edge to where grip/handle ends	r	1028	1028 mm
Width of rim (foot end; lengthwise)	s ₁ ; s ₂	110; 110	110; 110 mm
Distance between centre holes	u	280	280 mm
Water volume** in litres		114	114
Weight of the enamelled bath in kg		47	75
Anti-slip		∅ 288	∅ 288 mm
Full anti-slip		850 x 240	850 x 240 mm

Subject to technical alterations, tolerances and errors. Similar illustration.
** 70 litres displacement on average.

KALDEWEI

	Model Order No.	Dimensions cm	Colour price groups				EUR
			I (alpine white)	II	III	IV	
CLASSIC DUO OVAL WIDE ALLROUND leg set Mod. 5030 is mandatory	115 2916 0001 xxxx	180 x 80 x 43					
CLASSIC DUO OVAL WIDE with moulded panel** incl. flexible waste hose and ALLROUND leg set Mod. 5030	115-7** 2916 4805 xxxx	180 x 80 x 43					
** Panel colours: aegean, alpine white, edelweiss, manhattan, natura, pergamon, black, star white.							
Model with grip holes on one side available without extra charge	xxxx 1011 xxxx						
ACCESSORIES REQUIRED							
Leg set ALLROUND for CLASSIC DUO OVAL WIDE	5030 5814 7000 0000						
and							
COMFORT-LEVEL extended, chrome see page 148	4002 6877 7051 0000						
COMFORT-LEVEL PLUS extended, chrome see page 148	4012 6877 7062 0000						
OPTIONAL SURFACE FINISHES							
Extra charge for easy-clean finish	xxxx xxxx3 xxxx						
Anti-slip Anti-slip enamel							
Full anti-slip Full anti-slip enamel							
Please take into account when ordering anti-slip and full anti-slip finish the configuration of the KALDEWEI item number (see page 353). More information can be found on page 168 - 169.							
OPTIONAL ACCESSORIES							
Grip DISCREET OPULENCE Type A (1 grip), see page 161	chrome	5906 7000 0999					
SOUND WAVE see page 171	6800 5845 7600 0000						
COMFORT SELECT TYPE A Electronic controls with operating panel, chrome for more information see page 154	4500 6897 2008 0999						
COMFORT SELECT TYPE B, for free-standing installation Electronic controls with operating panel, chrome for more information see page 154	4511 6897 2011 0999						
and							
COMFORT SELECT out and overflow fitting Standard without filling function. Further information and also shower hose options s. p. 158 - 159.	4501 6897 2009 0999						
COMFORT SELECT out and overflow fitting Standard with integrated filling function. The 4502 fitting requires a non return valve. This is not included. Further information and also shower hose options s. p. 158 - 159.	4502 6897 2000 x0999						
Baths incl. wellness-system with easy-clean finish. Pre-assembled in factory. Parts supplied: bath, wellness technology, waste and overflow fittings, leg set. Special equipment whirl systems see page 180. The whirl system order form is available at www.kaldewei.com							
SKIN TOUCH see page 176	115	180 x 80 x 43					
SKIN TOUCH emotion see page 176	115	180 x 80 x 43					
VIVO TURBO 6 side jets also compatible with COMFORT SELECT	115	180 x 80 x 43					
VIVO TURBO PLUS 6 side jets also compatible with COMFORT SELECT	115	180 x 80 x 43					
VIVO VITA 10 floor jets with additional panel	115 115-7	180 x 80 x 43 180 x 80 x 43					
VIVO AQUA ECO 6 side jets	115	180 x 80 x 43					
VIVO AQUA 8 side jets	115	180 x 80 x 43					
VIVO VARIO ECO 8 side jets, 10 floor jets	115	180 x 80 x 43					
VIVO VARIO PLUS 8 side jets, 10 floor jets + 2 microjets each in the back and foot area	115	180 x 80 x 43					

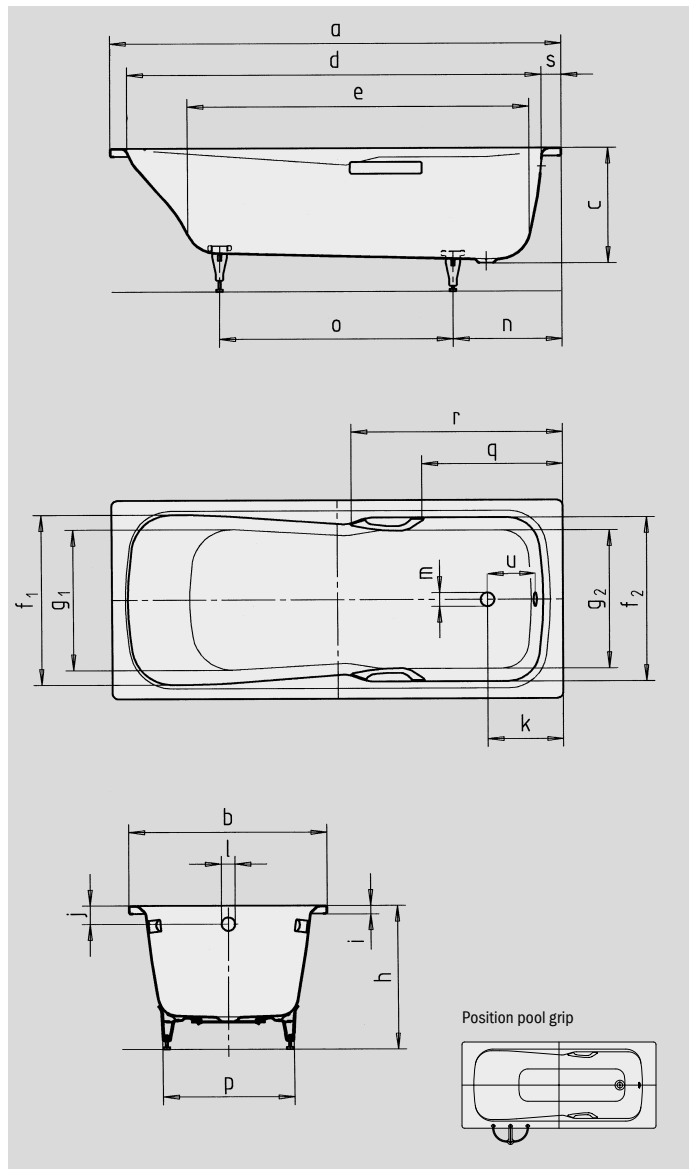
Caution! Disinfection system has to be installed externally! Further information can be found on our website www.kaldewei.com

DYNA SET DYNA SET STAR

- one-seater bath with waste at foot end
- combi-bath suitable for bathing and showering
- made of KALDEWEI steel enamel
- also available with grips



Similar illustration



Model No.		626 / 627	624 / 625	620 / 621	622 / 623
External length	a	1600	1500	1700	1800 mm
External width	b	700	750	750	800 mm
Depth	c	430	430	430	430 mm
Internal length (top)	d	1440	1340	1565	1565 mm
Internal length (bottom)	e	1155	1050	1230	1230 mm
Internal width (top)	f ₁ ; f ₂	590; 590	640; 640	640; 620	640; 620 mm
Internal width (bottom)	g ₁ ; g ₂	450; 470	500; 520	500; 520	500; 520 mm
Height with feet	h	561-586	561-586	561-586	561-586 mm
Height of rim	i	32	32	32	32 mm
Distance top edge to centre of overflow hole	j	70	70	70	70 mm
Distance bath edge to centre of drain hole	k	310	310	285	335 mm
Diameter of overflow hole	l	52	52	52	52 mm
Diameter of drain hole	m	52	52	52	52 mm
Distance foot end of bath edge to centre of foot	n	410	410	410	415 mm
Distance between the feet	o	690	590	760	805 mm
Max. width of feet	p	445	495	495	495 mm
Distance bath edge (foot end) to where grip/handle starts (627/625/621/623)	q	505	505	525	575 mm
Distance bath edge (foot end) to where grip/handle ends (627/625/621/623)	r	780	780	800	850 mm
Width of rim (foot end)	s	100	100	75	125 mm
Distance between centre holes	u	206	206	206	206 mm
Water volume** in litres		122	133	169	169
Weight of the enamelled bath in kg		46	45	53	68
Anti-slip		Ø 288	Ø 288	Ø 435	Ø 435 mm
Full anti-slip		850 x 240	600 x 220	900 x 300	900 x 300 mm

Note: The operational system may protrude on some whirl systems.
Please refer to the Technical Information for Whirl Systems for further information.
Subject to technical alterations, tolerances and errors. Similar illustration.
** 70 litres displacement on average.

	Model Order No.	Dimensions cm	Colour price groups				EUR
			I (alpine white)	II	III	IV	
DYNA SET ALLROUND leg set Mod. 5030 is mandatory	626 22680001xxxx	160 x 70 x 43					
	624 22660001xxxx	150 x 75 x 43					
	620 22610001xxxx	170 x 75 x 43					
	622 22640001xxxx	180 x 80 x 43					
DYNA SET STAR* ALLROUND leg set Mod. 5030 is mandatory	627* 22690001xxxx	160 x 70 x 43					
	625* 22670001xxxx	150 x 75 x 43					
	621* 22620001xxxx	170 x 75 x 43					
	623* 22650001xxxx	180 x 80 x 43					

* for mounting grips, grips subject to surcharge

ACCESSORIES REQUIRED

Leg set ALLROUND see page 151	5030 581470000000					
---	-----------------------------	--	--	--	--	--

and

COMFORT-LEVEL Standard, chrome see page 148	4001 687770500000					
---	-----------------------------	--	--	--	--	--

COMFORT-LEVEL PLUS Standard, chrome see page 148	4011 687770610000					
--	-----------------------------	--	--	--	--	--

OPTIONAL SURFACE FINISHES

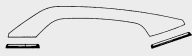
Extra charge for easy-clean finish	xxxxxxx3xxx					
---	-------------	--	--	--	--	--

Anti-slip Anti-slip enamel						
--------------------------------------	--	--	--	--	--	--

Full anti-slip Full anti-slip enamel						
--	--	--	--	--	--	--

Please take into account when ordering anti-slip and full anti-slip finish the configuration of the KALDEWEI item number (see page 353). More information can be found on page 168 - 169.

OPTIONAL ACCESSORIES

Set DYNA SET STAR grips 	chrome	591170000999				
---	---------------	--------------	--	--	--	--

SOUND WAVE see page 171	6800 584576000000					
-----------------------------------	-----------------------------	--	--	--	--	--

Baths incl. wellness-system with easy-clean finish.

Pre-assembled in factory. **Parts supplied: bath, wellness technology, waste and overflow fittings, leg set.**

Special equipment whirl systems see page 180. MULTIVERSO panelling system for wellness baths see page 182 - 183. The whirl system order form is available at www.kaldewei.com

VIVO TURBO 6 side jets	626/627	160 x 70 x 43				
	624/625	150 x 75 x 43				
	620/621	170 x 75 x 43				
	622/623	180 x 80 x 43				

VIVO TURBO PLUS 6 side jets	626/627	160 x 70 x 43				
	624/625	150 x 75 x 43				
	620/621	170 x 75 x 43				
	622/623	180 x 80 x 43				

VIVO AQUA ECO 6 side jets 4 side jets 6 side jets 6 side jets	626/627	160 x 70 x 43				
	624/625	150 x 75 x 43				
	620/621	170 x 75 x 43				
	622/623	180 x 80 x 43				

NOVOLA

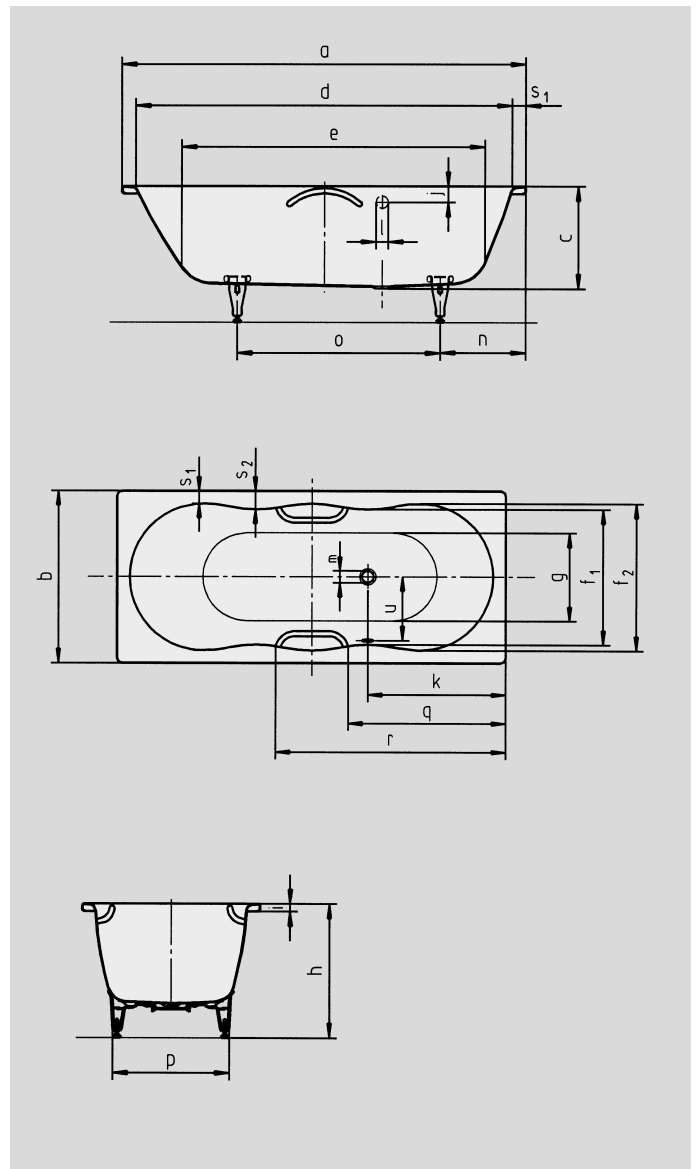
NOVOLA STAR

- with its curved interior contours, this bath will become an eye-catcher in every bathroom
- one-seater bath with side overflow
- made of KALDEWEI steel enamel
- also available with grips



Similar illustration

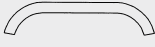
To order the bath with opposite overflow, please order model xxxx**2300**xxxx.



Model No.		252 / 253
External length	a	1700 mm
External width	b	750 mm
Depth	c	440 mm
Internal length (top)	d	1590 mm
Internal length (bottom)	e	1275 mm
Internal width (top)	f ₁ ; f ₂	590; 640 mm
Internal width (bottom)	g	440 mm
Height with feet	h	560-575 mm
Height of rim	i	32 mm
Distance top edge to centre of overflow hole	j	67 mm
Distance bath edge to centre of drain hole	k	605 mm
Diameter of overflow hole	l	52 mm
Diameter of drain hole	m	52 mm
Distance foot end of bath edge to centre of foot	n	490 mm
Distance between the feet	o	685 mm
Max. width of feet	p	480 mm
Distance bath edge (foot end) to where grip/handle starts (Mod. 253)	q	691 mm
Distance bath edge (foot end) to where grip/handle ends (Mod. 253)	r	1009 mm
Width of rim	s ₁ ; s ₂	55; 80 mm
Distance between centre holes	u	313 mm
Water volume** in litres		153
Weight of the enamelled bath in kg		51
Anti-slip		∅ 288 mm
Full anti-slip		900 x 300 mm

Note: The operational system may protrude on some whirl systems.
Please refer to the Technical Information for Whirl Systems for further information.
Subject to technical alterations, tolerances and errors. Similar illustration.
** 70 litres displacement on average.

KALDEWEI

	Model Order No.	Dimensions cm	Colour price groups I (alpine white) II III IV				EUR
NOVOLA ALLROUND leg set Mod. 5030 is mandatory	252 24200001xxx	170 x 75 x 44					
NOVOLA STAR* ALLROUND leg set Mod. 5030 is mandatory	253* 24160001xxx	170 x 75 x 44					
* for mounting grips, grips subject to surcharge							
Design with opposite overflow available without extra charge	xxxx2300xxx						
ACCESSORIES REQUIRED							
Leg set ALLROUND see page 151	5030 581470000000						
and							
COMFORT-LEVEL extended, chrome see page 148	4002 687770510000						
COMFORT-LEVEL PLUS extended, chrome see page 148	4012 687770620000						
OPTIONAL SURFACE FINISHES							
Extra charge for easy-clean finish	xxxxxxx3xxx						
Anti-slip Anti-slip enamel							
Full anti-slip Full anti-slip enamel							
Please take into account when ordering anti-slip and full anti-slip finish the configuration of the KALDEWEI item number (see page 353). More information can be found on page 168 - 169.							
OPTIONAL ACCESSORIES							
Set NOVOLA STAR grips 	chrome	59947000999					
SOUND WAVE see page 171	6800 584576000000						
COMFORT SELECT TYPE A Electronic controls with operating panel, chrome for more information see page 154	4500 689720080999						
and							
COMFORT SELECT out and overflow fitting Standard without filling function. Further information and also shower hose options s. p. 158 - 159.	4501 689720090999						
COMFORT SELECT out and overflow fitting Standard with integrated filling function. The 4502 fitting requires a non return valve. This is not included. Further information and also shower hose options s. p. 158 - 159.	4502 68972000x0999						
Baths incl. wellness-system with easy-clean finish. Pre-assembled in factory. Parts supplied: bath, wellness technology, waste and overflow fittings, leg set. Special equipment whirl systems see page 180. MULTIVERSO panelling system for wellness baths see page 182 - 183. The whirl system order form is available at www.kaldewei.com							
VIVO AQUA ECO 4 side jets	252/253	170 x 75 x 44					

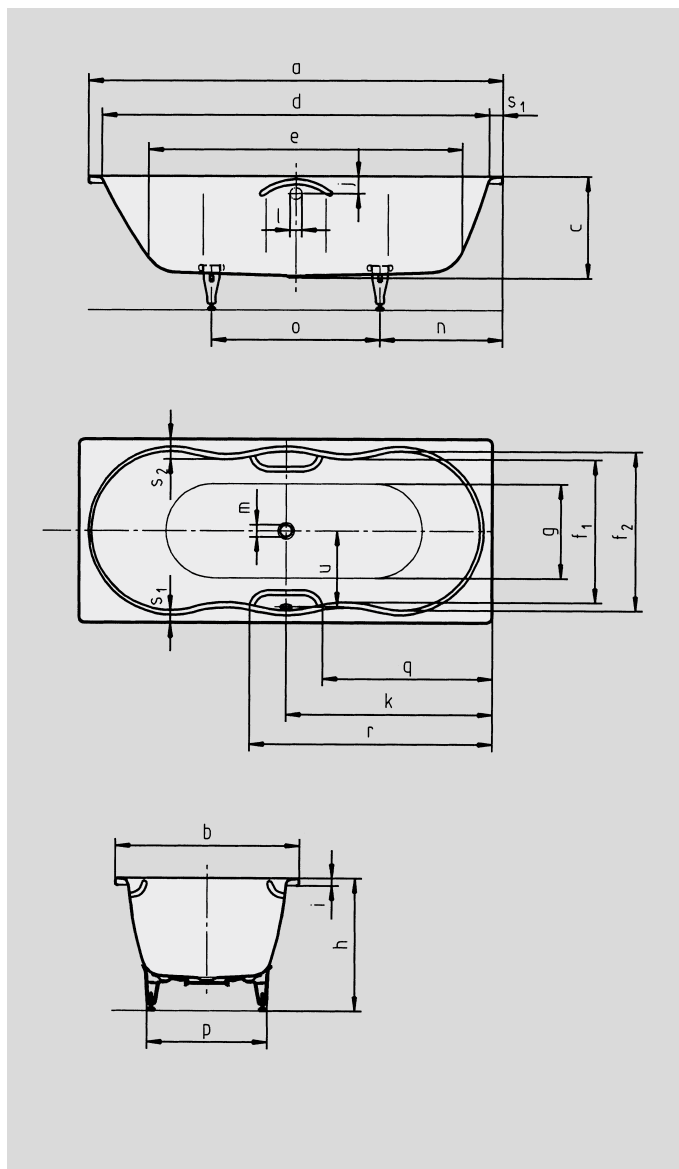
NOVOLA DUO NOVOLA DUO STAR

- with its curved interior contours, this bath will become an eye-catcher in every bathroom
- bathing with a friend: two identical back rests and centrally positioned waste
- made of KALDEWEI steel enamel
- also available with grips



Similar illustration

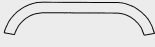
To order the bath with opposite overflow, please order model xxxx**2300**xxxx.



Model No.		256 / 257
External length	a	1800 mm
External width	b	800 mm
Depth	c	440 mm
Internal length (top)	d	1690 mm
Internal length (bottom)	e	1360 mm
Internal width (top)	f ₁ ; f ₂	620; 690 mm
Internal width (bottom)	g	460 mm
Height with feet	h	565-590 mm
Height of rim	i	32 mm
Distance top edge to centre of overflow hole	j	67 mm
Distance bath edge to centre of drain hole	k	900 mm
Diameter of overflow hole	l	52 mm
Diameter of drain hole	m	52 mm
Distance foot end of bath edge to centre of foot	n	480 mm
Distance between the feet	o	780 mm
Max. width of feet	p	500 mm
Distance bath edge (foot end) to where grip/handle starts (Mod. 257)	q	740 mm
Distance bath edge (foot end) to where grip/handle ends (Mod. 257)	r	1058 mm
Width of rim	s ₁ ; s ₂	55; 90 mm
Distance between centre holes	u	337 mm
Water volume** in litres		197
Weight of the enamelled bath in kg		56
Anti-slip		∅ 435 mm
Full anti-slip		900 x 300 mm

Note: The operational system may protrude on some whirl systems.
Please refer to the Technical Information for Whirl Systems for further information.
Subject to technical alterations, tolerances and errors. Similar illustration.
** 70 litres displacement on average.

KALDEWEI

	Model Order No.	Dimensions cm	Colour price groups I (alpine white) II III IV				EUR
NOVOLA DUO ALLROUND leg set Mod. 5030 is mandatory	256 2422 0001 xxx	180 x 80 x 44					
NOVOLA DUO STAR* ALLROUND leg set Mod. 5030 is mandatory	257* 2417 0001 xxxx	180 x 80 x 44					
* for mounting grips, grips subject to surcharge							
Design with opposite overflow available without extra charge	xxxx 2300 xxxx						
ACCESSORIES REQUIRED							
Leg set ALLROUND see page 151	5030 5814 7000 0000						
and							
COMFORT-LEVEL extended, chrome see page 148	4002 6877 7051 0000						
COMFORT-LEVEL PLUS extended, chrome see page 148	4012³ 6877 7062 0000						
OPTIONAL SURFACE FINISHES							
Extra charge for easy-clean finish	xxxxxxx 3 xxx						
Anti-slip Anti-slip enamel							
Full anti-slip Full anti-slip enamel							
Please take into account when ordering anti-slip and full anti-slip finish the configuration of the KALDEWEI item number (see page 353). More information can be found on page 168 - 169.							
OPTIONAL ACCESSORIES							
Set NOVOLA STAR grips 	chrome	5994 7000 0999					
SOUND WAVE see page 171	6800 5845 7600 0000						
COMFORT SELECT Type A Electronic controls with operating panel, chrome for more information see page 154	4500 6897 2008 0999						
and							
COMFORT SELECT out and overflow fitting Standard without filling function. Further information and also shower hose options s. p. 158 - 159.	4501 6897 2009 0999						
COMFORT SELECT out and overflow fitting Standard with integrated filling function. The 4502 fitting requires a non return valve. This is not included. Further information and also shower hose options s. p. 158 - 159.	4502 6897 2000 x0999						
Baths incl. wellness-system with easy-clean finish. Pre-assembled in factory. Parts supplied: bath, wellness technology, waste and overflow fittings, leg set. Special equipment whirl systems see page 180. MULTIVERSO panelling system for wellness baths see page 182 - 183. The whirl system order form is available at www.kaldewei.com							
VIVO AQUA ECO 4 side jets	256/257	180 x 80 x 44					

³ only for models without grips

NOVOLA DUO 6

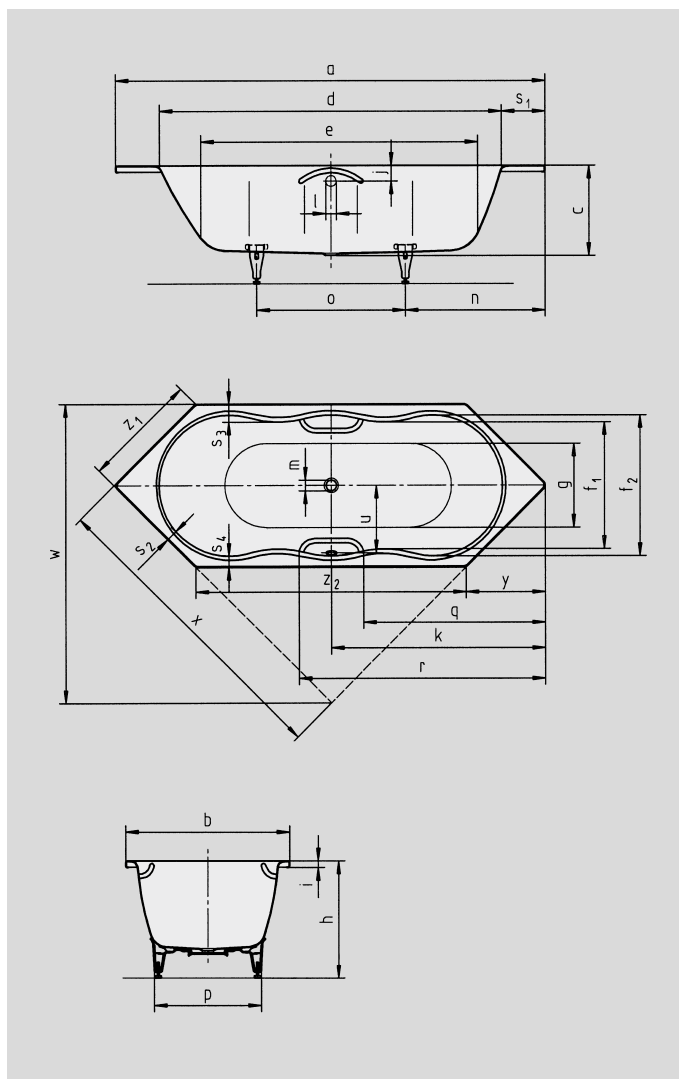
NOVOLA DUO 6 STAR

- with its curved interior contours, this bath will become an eye-catcher in every bathroom
- bathing with a friend: two identical back rests and centrally positioned waste
- diverse installation possibilities, also corner installation
- made of KALDEWEI steel enamel
- also available with grips



Similar illustration

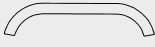
To order the bath with opposite overflow, please order model xxxx**2300**xxxx.



Model No.		254/ 255
External length	a	2100 mm
External width	b	800 mm
Depth	c	440 mm
Internal length (top)	d	1686 mm
Internal length (bottom)	e	1368 mm
Internal width (top)	f ₁ ; f ₂	614; 680 mm
Internal width (bottom)	g	422 mm
Height with feet	h	565-590 mm
Height of rim	i	32 mm
Distance top edge to centre of overflow hole	j	70 mm
Distance bath edge to centre of drain hole	k	1050 mm
Diameter of overflow hole	l	52 mm
Diameter of drain hole	m	52 mm
Distance foot end of bath edge to centre of foot	n	640 mm
Distance between the feet	o	760 mm
Max. width of feet	p	500 mm
Distance bath edge (foot end) to where grip/handle starts (Mod. 255)	q	900 mm
Distance bath edge (foot end) to where grip/handle ends (Mod. 255)	r	1215 mm
Width of rim	s ₁ ; s ₂ ; s ₃ ; s ₄	207; 60; 90; 60 mm
Distance between centre holes	u	338 mm
Installation dimension	w	1460 mm
Side length	x	1499 mm
Oblique	y	390 mm
Side length	z ₁ ; z ₂	565; 1320 mm
Water volume** in litres		197
Weight of the enamelled bath in kg		55
Anti-slip		∅ 435 mm
Full anti-slip		900 x 300 mm

Note: The operational system may protrude on some whirl systems.
Please refer to the Technical Information for Whirl Systems for further information.
Subject to technical alterations, tolerances and errors. Similar illustration.
** 70 litres displacement on average.

KALDEWEI

	Model Order No.	Dimensions cm	Colour price groups				EUR
			I (alpine white)	II	III	IV	
NOVOLA DUO 6 ALLROUND leg set Mod. 5030 is mandatory	254 2424 0001 xxxx	210 x 80 x 44					
NOVOLA DUO 6 STAR* ALLROUND leg set Mod. 5030 is mandatory	255* 2418 0001 xxxx	210 x 80 x 44					
* for mounting grips, grips subject to surcharge							
Design with opposite overflow available without extra charge	xxxx 2300 xxxx						
ACCESSORIES REQUIRED							
Leg set ALLROUND see page 151	5030 5814 7000 0000						
and							
COMFORT-LEVEL extended, chrome see page 148	4002 6877 7051 0000						
COMFORT-LEVEL PLUS extended, chrome see page 148	4012³ 6877 7062 0000						
OPTIONAL SURFACE FINISHES							
Extra charge for easy-clean finish	xxxxxxx 3 xxx						
Anti-slip Anti-slip enamel							
Full anti-slip Full anti-slip enamel							
Please take into account when ordering anti-slip and full anti-slip finish the configuration of the KALDEWEI item number (see page 353). More information can be found on page 168 - 169.							
OPTIONAL ACCESSORIES							
Set NOVOLA STAR grips 	chrome	5994 7000 0999					
SOUND WAVE see page 171	6800 5845 7600 0000						
COMFORT SELECT Type A Electronic controls with operating panel, chrome for more information see page 154	4500 6897 2008 0999						
and							
COMFORT SELECT out and overflow fitting Standard without filling function. Further information and also shower hose options s. p. 158 - 159.	4501 6897 2009 0999						
COMFORT SELECT out and overflow fitting Standard with integrated filling function. The 4502 fitting requires a non return valve. This is not included. Further information and also shower hose options s. p. 158 - 159.	4502 6897 2000 x0999						
Baths incl. wellness-system with easy-clean finish. Pre-assembled in factory. Parts supplied: bath, wellness technology, waste and overflow fittings, leg set. Special equipment whirl systems see page 180. MULTIVERSO panelling system for wellness baths see page 182 - 183. The whirl system order form is available at www.kaldewei.com							
VIVO AQUA ECO 4 side jets	254/255	210 x 80 x 44					

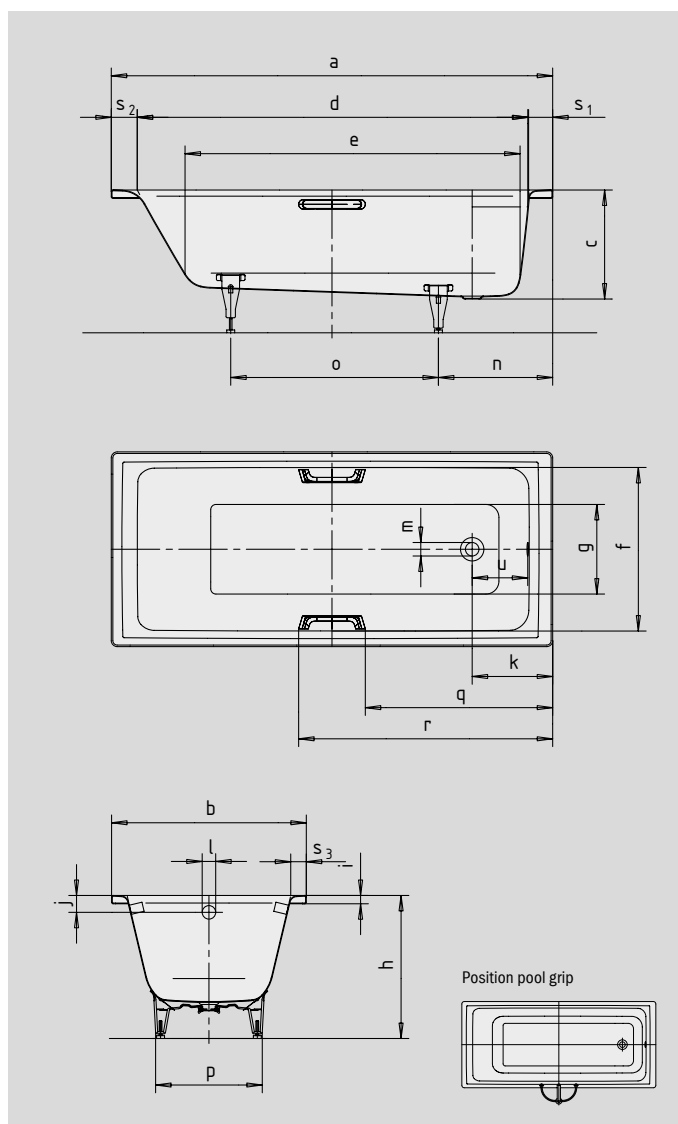
³ only for models without grips

PURO PURO STAR

- straightlined, purist design
- one-seater bath with waste at foot end
- classic four-cornered model
- made of KALDEWEI steel enamel



Similar illustration



GRIP ELEGANT PURISM



Model No.		683	685	687	689	652	654
External length	a	1600	1600	1700	1700	1700	1700 mm
External width	b	700	700	700	700	750	750 mm
Depth	c	420	420	420	420	420	420 mm
Internal length (top)	d	1410	1410	1510	1510	1510	1510 mm
Internal length (bottom)	e	1180	1180	1280	1280	1280	1280 mm
Internal width (top)	f	580	580	580	580	620	620 mm
Internal width (bottom)	g	410	410	410	410	460	460 mm
Height with feet	h	552-572	552-572	555-565	555-565	554-568	554-568 mm
Height of rim	i	32	32	32	32	32	32 mm
Distance top edge to centre of overflow hole	j	65	65	65	65	65	65 mm
Distance bath edge (foot) to centre of drain hole	k	310	310	310	310	310	310 mm
Diameter of overflow hole	l	52	52	52	52	52	52 mm
Diameter of drain hole	m	52	52	52	52	52	52 mm
Distance foot end of bath edge to centre of foot	n	435	435	445	445	445	445 mm
Distance between the feet	o	705	705	755	755	750	750 mm
Max. width of feet	p	410	410	420	420	470	470 mm
Distance bath edge (foot end) to where grip/handle starts	q	-	671,5	-	721,5	-	721,5 mm
Distance bath edge (foot end) to where grip/handle ends	r	-	928,5	-	978,5	-	978,5 mm
Width of rim (foot end; head end; lengthwise)	s ₁ ; s ₂ ; s ₃	90; 100; 60	90; 100; 60	90; 100; 60	90; 100; 60	90; 100; 60	90; 100; 60 mm
Distance between centre holes	u	214	214	214	214	214	214 mm
Water volume** in litres		105	105	122	122	137	137
Weight of the enamelled bath in kg		46	46	49	49	51	51
Anti-slip		300 x 300	300 x 300	300 x 300	300 x 300	348 x 348	348 x 348
Full anti-slip		708 x 252	708 x 252	876 x 252	876 x 252	924 x 348	924 x 348

Subject to technical alterations, tolerances and errors. Similar illustration.
** 70 litres displacement on average.

KALDEWEI

	Model Order No.	Dimensions cm	Colour price groups				EUR
			I (alpine white)	II	III	IV	
PURO optional special leg set Mod. 5037	683 2583 0001 xxxx 687 2587 0001 xxxx 652 2562 0001 xxxx	160 x 70 x 42 170 x 70 x 42 170 x 75 x 42					
PURO STAR* optional special leg set Mod. 5037	685* 2585 0001 xxxx 689* 2589 0001 xxxx 654* 2554 0001 xxxx	160 x 70 x 42 170 x 70 x 42 170 x 75 x 42					

* for mounting grips, grips subject to surcharge

ACCESSORIES REQUIRED

Special leg set for PURO	5037 5831 7000 0000					
---------------------------------	--------------------------------------	--	--	--	--	--

and

COMFORT-LEVEL Standard, chrome see page 148	4001 6877 7050 0000					
---	--------------------------------------	--	--	--	--	--

COMFORT-LEVEL PLUS Standard, chrome see page 148	4011 6877 7061 0000					
--	--------------------------------------	--	--	--	--	--

OPTIONAL SURFACE FINISHES

Extra charge for easy-clean finish	xxxxxxx3xxx					
---	-------------	--	--	--	--	--

Anti-slip Anti-slip enamel						
-----------------------------------	--	--	--	--	--	--

Full anti-slip Full anti-slip enamel						
---	--	--	--	--	--	--

Please take into account when ordering anti-slip and full anti-slip finish the configuration of the KALDEWEI item number (see page 353). More information can be found on page 168 - 169.

OPTIONAL ACCESSORIES

Grip ELEGANT PURISM Type A (2 grips), see page 161	chrome	5908 7000 0999				
--	---------------	-----------------------	--	--	--	--

SOUND WAVE see page 171	6800 5845 7600 0000					
-----------------------------------	--------------------------------------	--	--	--	--	--

COMFORT SELECT Type A Electronic controls with operating panel, chrome for more information see page 154	4500 6897 2008 0999					
---	--------------------------------------	--	--	--	--	--

and

COMFORT SELECT out and overflow fitting Standard without filling function. Further information and also shower hose options s. p. 158 - 159.	4501 6897 2009 0999					
---	--------------------------------------	--	--	--	--	--

COMFORT SELECT out and overflow fitting Standard with integrated filling function. The 4502 fitting requires a non return valve. This is not included. Further information and also shower hose options s. p. 158 - 159.	4502 6897 2000 x0999					
--	---------------------------------------	--	--	--	--	--

Baths incl. wellness-system with easy-clean finish. Pre-assembled in factory. **Parts supplied: bath, whirl technology (visible parts in chrome), chrome waste and overflow fittings, leg set.** Special equipment whirl systems see page 180. The whirl system order form is available at www.kaldewei.com

SKIN TOUCH see page 176	683/685 687/689 652/654	160 x 70 x 42 170 x 70 x 42 170 x 75 x 42				
-----------------------------------	--	---	--	--	--	--

SKIN TOUCH emotion see page 176	683/685 687/689 652/654	160 x 70 x 42 170 x 70 x 42 170 x 75 x 42				
---	--	---	--	--	--	--

VIVO TURBO 6 side jets also compatible with COMFORT SELECT	683/685 687/689 652/654	160 x 70 x 42 170 x 70 x 42 170 x 75 x 42				
---	--	---	--	--	--	--

VIVO TURBO PLUS 6 side jets also compatible with COMFORT SELECT	683/685 687/689 652/654	160 x 70 x 42 170 x 70 x 42 170 x 75 x 42				
--	--	---	--	--	--	--

VIVO VITA 10 floor jets 12 floor jets	683/685 687/689 652/654	160 x 70 x 42 170 x 70 x 42 170 x 75 x 42				
--	--	---	--	--	--	--

VIVO AQUA ECO 6 side jets	683/685 687/689 652/654	160 x 70 x 42 170 x 70 x 42 170 x 75 x 42				
-------------------------------------	--	---	--	--	--	--

VIVO AQUA 8 side jets	683/685 687/689 652/654	160 x 70 x 42 170 x 70 x 42 170 x 75 x 42				
---------------------------------	--	---	--	--	--	--

VIVO VARIO ECO 8 side jets, 10 floor jets 8 side jets, 12 floor jets	683/685 687/689 652/654	160 x 70 x 42 170 x 70 x 42 170 x 75 x 42				
---	--	---	--	--	--	--

VIVO VARIO PLUS 8 side jets, 12 floor jets + 2 microjets each in the back and foot area	687/689 652/654	170 x 70 x 42 170 x 75 x 42				
--	----------------------------------	--------------------------------	--	--	--	--

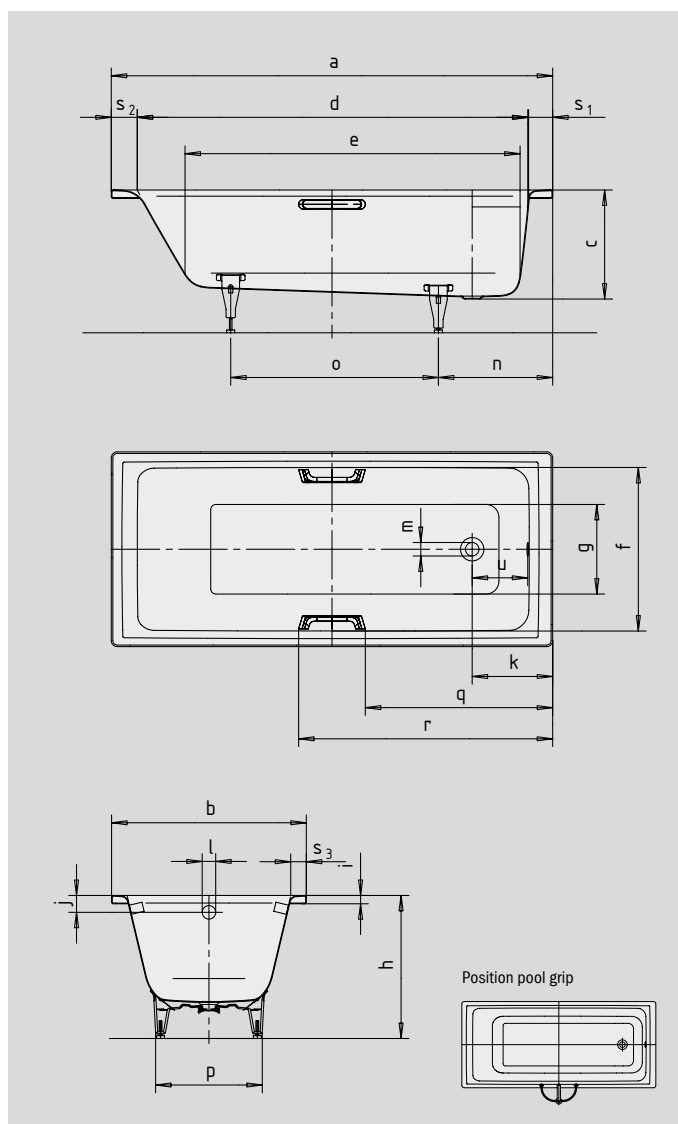
Caution! Disinfection system has to be installed externally! Further information can be found on our website www.kaldewei.com

PURO PURO STAR

- straightlined, purist design
- one-seater bath with waste at foot end
- classic four-cornered model
- made of KALDEWEI steel enamel



Similar illustration



GRIP ELEGANT PURISM



Model No.		691	693	653	655	696	698
External length	a	1700	1700	1800	1800	1900	1900 mm
External width	b	800	800	800	800	900	900 mm
Depth	c	420	420	420	420	420	420 mm
Internal length (top)	d	1510	1510	1610	1610	1710	1710 mm
Internal length (bottom)	e	1280	1280	1380	1380	1480	1480 mm
Internal width (top)	f	630	630	670	670	770	770 mm
Internal width (bottom)	g	460	460	510	510	615	615 mm
Height with feet	h	552-565	552-565	553-563	553-563	546-554	546-554 mm
Height of rim	i	32	32	32	32	32	32 mm
Distance top edge to centre of overflow hole	j	65	65	65	65	65	65 mm
Distance bath edge (foot) to centre of drain hole	k	310	310	310	310	310	310 mm
Diameter of overflow hole	l	52	52	52	52	52	52 mm
Diameter of drain hole	m	52	52	52	52	52	52 mm
Distance foot end of bath edge to centre of foot	n	445	445	460	460	395	395 mm
Distance between the feet	o	755	755	820	820	945	945 mm
Max. width of feet	p	480	480	520	520	630	630 mm
Distance bath edge (foot end) to where grip/handle starts	q	-	721,5	-	771,5	-	821,5 mm
Distance bath edge (foot end) to where grip/handle ends	r	-	978,5	-	1028,5	-	1078,5 mm
Width of rim (foot end; head end; lengthwise)	s ₁ ; s ₂ ; s ₃	90; 100; 85	90; 100; 85	90; 100; 60	90; 100; 60	90; 100; 65	90; 100; 65 mm
Distance between centre holes	u	214	214	214	214	214	214 mm
Water volume** in litres		141	141	170	170	232	232
Weight of the enamelled bath in kg		53	53	55	55	64	64
Anti-slip		348 x 348	348 x 348	396 x 396	396 x 396	396 x 396	396 x 396 mm
Full anti-slip		924 x 348	924 x 348	1020 x 396	1020 x 396	1116 x 396	1116 x 396 mm

Subject to technical alterations, tolerances and errors. Similar illustration.
** 70 litres displacement on average.

KALDEWEI

	Model Order No.	Dimensions cm	Colour price groups				EUR
			I (alpine white)	II	III	IV	
PURO optional special leg set Mod. 5037	691 2591 0001 xxxx 653 2563 0001 xxxx 696 2596 0001 xxxx	170 x 80 x 42 180 x 80 x 42 190 x 90 x 42					
PURO STAR* optional special leg set Mod. 5037	693* 2595 0001 xxxx 655* 2555 0001 xxxx 698* 2598 0001 xxxx	170 x 80 x 42 180 x 80 x 42 190 x 90 x 42					

* for mounting grips, grips subject to surcharge

ACCESSORIES REQUIRED

Special leg set for PURO	5037 5831 7000 0000					
---------------------------------	--------------------------------------	--	--	--	--	--

and

COMFORT-LEVEL Standard, chrome see page 148	4001 6877 7050 0000					
---	--------------------------------------	--	--	--	--	--

COMFORT-LEVEL PLUS Standard, chrome see page 148	4011 6877 7061 0000					
--	--------------------------------------	--	--	--	--	--

OPTIONAL SURFACE FINISHES

Extra charge for easy-clean finish	xxxxxxx3xxx					
---	-------------	--	--	--	--	--

Anti-slip Anti-slip enamel						
-----------------------------------	--	--	--	--	--	--

Full anti-slip Full anti-slip enamel						
---	--	--	--	--	--	--

Please take into account when ordering anti-slip and full anti-slip finish the configuration of the KALDEWEI item number (see page 353). More information can be found on page 168 - 169.

OPTIONAL ACCESSORIES

Grip ELEGANT PURISM Type A (2 grips), see page 161	chrome	5908 7000 0999				
--	---------------	-----------------------	--	--	--	--

SOUND WAVE see page 171	6800 5845 7600 0000					
-----------------------------------	--------------------------------------	--	--	--	--	--

COMFORT SELECT Type A Electronic controls with operating panel, chrome for more information see page 154	4500 6897 2008 0999					
---	--------------------------------------	--	--	--	--	--

and

COMFORT SELECT out and overflow fitting Standard without filling function. Further information and also shower hose options s. p. 158 - 159.	4501 6897 2009 0999					
---	--------------------------------------	--	--	--	--	--

COMFORT SELECT out and overflow fitting Standard with integrated filling function. The 4502 fitting requires a non return valve. This is not included. Further information and also shower hose options s. p. 158 - 159.	4502 6897 2000 x0999					
--	---------------------------------------	--	--	--	--	--

Baths incl. wellness-system with easy-clean finish.

Pre-assembled in factory. **Parts supplied: bath, wellness technology, waste and overflow fittings, leg set.**
Special equipment whirl systems see page 180. The whirl system order form is available at www.kaldewei.com

SKIN TOUCH see page 176	691/693 653/655 696/698	170 x 80 x 42 180 x 80 x 42 190 x 90 x 42				
-----------------------------------	--	---	--	--	--	--

SKIN TOUCH emotion see page 176	691/693 653/655 696/698	170 x 80 x 42 180 x 80 x 42 190 x 90 x 42				
---	--	---	--	--	--	--

VIVO TURBO 6 side jets also compatible with COMFORT SELECT	691/693 653/655 696/698	170 x 80 x 42 180 x 80 x 42 190 x 90 x 42				
---	--	---	--	--	--	--

VIVO TURBO PLUS 6 side jets also compatible with COMFORT SELECT	691/693 653/655 696/698	170 x 80 x 42 180 x 80 x 42 190 x 90 x 42				
--	--	---	--	--	--	--

VIVO VITA 12 floor jets	691/693 653/655 696/698	170 x 80 x 42 180 x 80 x 42 190 x 90 x 42				
-----------------------------------	--	---	--	--	--	--

VIVO AQUA ECO 6 side jets	691/693 653/655 696/698	170 x 80 x 42 180 x 80 x 42 190 x 90 x 42				
-------------------------------------	--	---	--	--	--	--

VIVO AQUA 8 side jets	691/693 653/655 696/698	170 x 80 x 42 180 x 80 x 42 190 x 90 x 42				
---------------------------------	--	---	--	--	--	--

VIVO VARIO ECO 8 side jets, 12 floor jets	691/693 653/655 696/698	170 x 80 x 42 180 x 80 x 42 190 x 90 x 42				
---	--	---	--	--	--	--

VIVO VARIO PLUS 8 side jets, 12 floor jets + 2 microjets each in the back and foot area	691/693 653/655 696/698	170 x 80 x 42 180 x 80 x 42 190 x 90 x 42				
--	--	---	--	--	--	--

Caution! Disinfection system has to be installed externally! Further information can be found on our website www.kaldewei.com

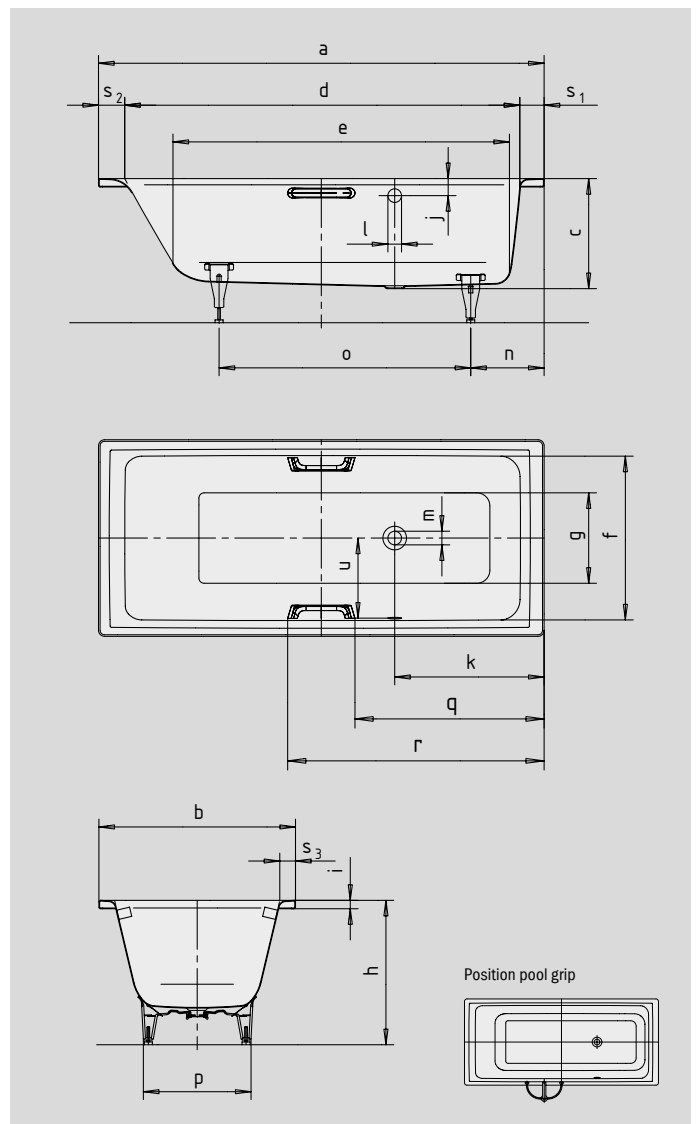
PURO/PURO STAR WITH SIDE OVERFLOW

- straightlined, purist design
- one-seater bath with side overflow
- classic four-cornered model
- made of KALDEWEI steel enamel



Similar illustration

To order the bath with opposite overflow, please order model xxxx**2300**xxxx.



GRIP ELEGANT PURISM



Model No.		684	686	688	690	656	658
External length	a	1600	1600	1700	1700	1700	1700 mm
External width	b	700	700	700	700	750	750 mm
Depth	c	420	420	420	420	420	420 mm
Internal length (top)	d	1410	1410	1510	1510	1510	1510 mm
Internal length (bottom)	e	1180	1180	1280	1280	1280	1280 mm
Internal width (top)	f	580	580	580	580	630	630 mm
Internal width (bottom)	g	410	410	410	410	460	460 mm
Height with feet	h	552-572	552-572	555-565	555-565	553-573	553-573 mm
Height of rim	i	32	32	32	32	32	32 mm
Distance top edge to centre of overflow hole	j	70	70	70	70	70	70 mm
Distance bath edge (foot) to centre of drain hole	k	570	570	570	570	570	570 mm
Diameter of overflow hole	l	52	52	52	52	52	52 mm
Diameter of drain hole	m	52	52	52	52	52	52 mm
Distance foot end of bath edge to centre of foot	n	435	435	445	445	445	445 mm
Distance between the feet	o	705	705	750	750	750	750 mm
Max. width of feet	p	410	410	420	420	445	445 mm
Distance bath edge (foot end) to where grip/handle starts	q	-	671,5	-	721,5	-	721,5 mm
Distance bath edge (foot end) to where grip/handle ends	r	-	928,5	-	978,5	-	978,5 mm
Width of rim (foot end; head end; lengthwise)	s ₁ ; s ₂ ; s ₃	90; 100; 60	90; 100; 60	90; 100; 60	90; 100; 60	90; 100; 60	90; 100; 60 mm
Distance between centre holes	u	275	275	275	275	300	300 mm
Water volume** in litres		105	105	121	121	137	137
Weight of the enamelled bath in kg		46	46	49	49	51	51
Anti-slip		300 x 300	300 x 300	300 x 300	300 x 300	348 x 348	348 x 348
Full anti-slip		708 x 252	708 x 252	876 x 252	876 x 252	1020 x 348	1020 x 348

Subject to technical alterations, tolerances and errors. Similar illustration.
** 70 litres displacement on average.

KALDEWEI

	Model Order No.	Dimensions cm	Colour price groups				EUR
			I (alpine white)	II	III	IV	
PURO with side overflow optional special leg set Mod. 5037	684 2584 0001 xxxx 688 2588 0001 xxxx 656 2566 0001 xxxx	160 x 70 x 42 170 x 70 x 42 170 x 75 x 42					
PURO STAR* with side overflow optional special leg set Mod. 5037	686* 2586 0001 xxxx 690* 2590 0001 xxxx 658* 2558 0001 xxxx	160 x 70 x 42 170 x 70 x 42 170 x 75 x 42					
* for mounting grips, grips subject to surcharge							
Design with opposite overflow available without extra charge	xxxx 2300 xxxx						
ACCESSORIES REQUIRED							
Special leg set for PURO	5037 5831 7000 0000						
and							
COMFORT-LEVEL extended, chrome see page 148	4002 6877 7051 0000						
COMFORT-LEVEL PLUS extended, chrome see page 148	4012 6877 7062 0000						
OPTIONAL SURFACE FINISHES							
Extra charge for easy-clean finish	xxxxxxx 3 xxx						
Anti-slip Anti-slip enamel							
Full anti-slip Full anti-slip enamel							
Please take into account when ordering anti-slip and full anti-slip finish the configuration of the KALDEWEI item number (see page 353). More information can be found on page 168 - 169.							
OPTIONAL ACCESSORIES							
Grip ELEGANT PURISM Type A (2 grips), see page 161	chrome	5908 7000 0999					
SOUND WAVE see page 171	6800 5845 7600 0000						
COMFORT SELECT Type A Electronic controls with operating panel, chrome for more information see page 154	4500 6897 2008 0999						
and							
COMFORT SELECT out and overflow fitting Standard without filling function. Further information and also shower hose options s. p. 158 - 159.	4501 6897 2009 0999						
COMFORT SELECT out and overflow fitting Standard with integrated filling function. The 4502 fitting requires a non return valve. This is not included. Further information and also shower hose options s. p. 158 - 159.	4502 6897 2000 x0999						
Baths incl. wellness-system with easy-clean finish. Pre-assembled in factory. Parts supplied: bath, wellness technology, waste and overflow fittings, leg set. Special equipment whirl systems see page 180. The whirl system order form is available at www.kaldewei.com							
SKIN TOUCH see page 176	684/686 688/690 656/658	160 x 70 x 42 170 x 70 x 42 170 x 75 x 42					
SKIN TOUCH emotion see page 176	684/686 688/690 656/658	160 x 70 x 42 170 x 70 x 42 170 x 75 x 42					
VIVO TURBO 6 side jets also compatible with COMFORT SELECT	684/686 688/690 656/658	160 x 70 x 42 170 x 70 x 42 170 x 75 x 42					
VIVO TURBO PLUS 6 side jets also compatible with COMFORT SELECT	684/686 688/690 656/658	160 x 70 x 42 170 x 70 x 42 170 x 75 x 42					
VIVO VITA 10 floor jets 12 floor jets	684/686 688/690 656/658	160 x 70 x 42 170 x 70 x 42 170 x 75 x 42					
VIVO AQUA ECO 6 side jets	684/686 688/690 656/658	160 x 70 x 42 170 x 70 x 42 170 x 75 x 42					
VIVO AQUA 8 side jets	684/686 688/690 656/658	160 x 70 x 42 170 x 70 x 42 170 x 75 x 42					
VIVO VARIO ECO 8 side jets, 10 floor jets 8 side jets, 12 floor jets	684/686 688/690 656/658	160 x 70 x 42 170 x 70 x 42 170 x 75 x 42					
VIVO VARIO PLUS 8 side jets, 12 floor jets + 2 microjets each in the back and foot area	688/690 656/658	170 x 70 x 42 170 x 75 x 42					

Caution! Disinfection system has to be installed externally! Further information can be found on our website www.kaldewei.com

Further accessories can be found on page 146. Available colours see page 170. • = separate accessory. For more information on the 12-digit KALDEWEI Article Number see page 353.

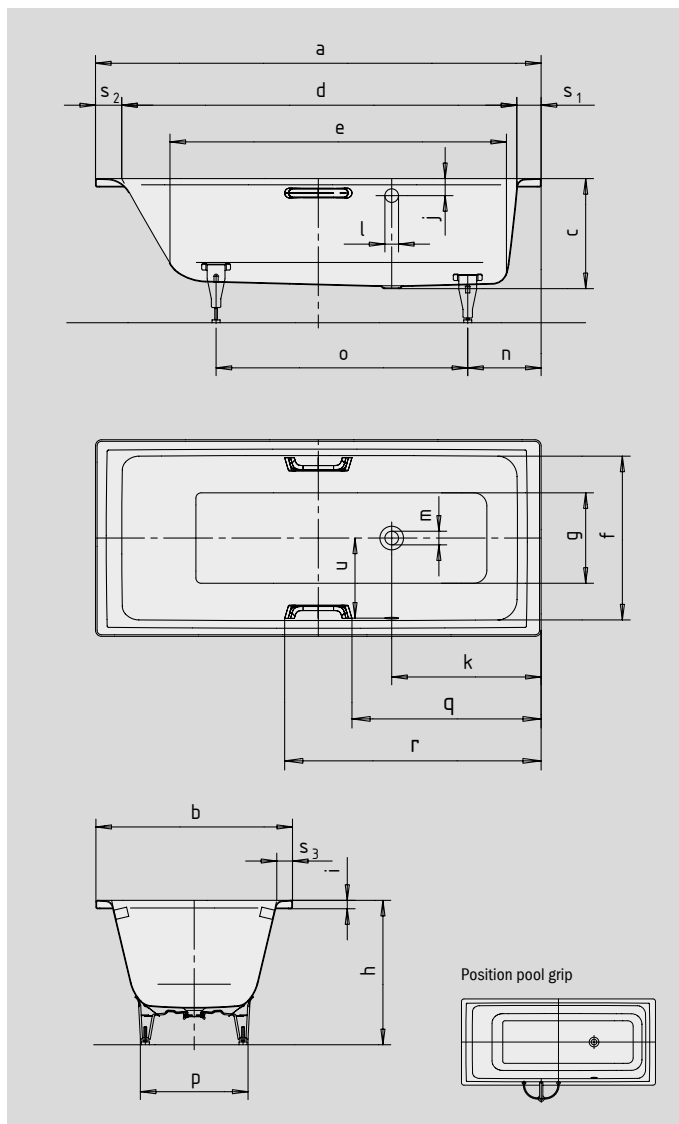
PURO/PURO STAR WITH SIDE OVERFLOW

- straightlined, purist design
- one-seater bath with side overflow
- classic four-cornered model
- made of KALDEWEI steel enamel



Similar illustration

To order the bath with opposite overflow, please order model xxxx**2300**xxxx.



GRIP ELEGANT PURISM



SKIN TOUCH

SOUND WAVE

COMFORT SELECT

Model No.		692	694	657	659	697	699
External length	a	1700	1700	1800	1800	1900	1900 mm
External width	b	800	800	800	800	900	900 mm
Depth	c	420	420	420	420	420	420 mm
Internal length (top)	d	1510	1510	1610	1610	1710	1710 mm
Internal length (bottom)	e	1280	1280	1380	1380	1480	1480 mm
Internal width (top)	f	630	630	680	680	770	770 mm
Internal width (bottom)	g	460	460	510	510	615	615 mm
Height with feet	h	555-565	555-565	551-571	551-571	547-560	547-560 mm
Height of rim	i	32	32	32	32	32	32 mm
Distance top edge to centre of overflow hole	j	70	70	70	70	70	70 mm
Distance bath edge (foot) to centre of drain hole	k	570	570	570	570	570	570 mm
Diameter of overflow hole	l	52	52	52	52	52	52 mm
Diameter of drain hole	m	52	52	52	52	52	52 mm
Distance foot end of bath edge to centre of foot	n	445	445	460	460	395	395 mm
Distance between the feet	o	750	750	820	820	945	945 mm
Max. width of feet	p	480	480	485	485	625	625 mm
Distance bath edge (foot end) to where grip/handle starts	q	-	721,5	-	771,5	-	821,5 mm
Distance bath edge (foot end) to where grip/handle ends	r	-	978,5	-	1028,5	-	1078,5 mm
Width of rim (foot end; head end; lengthwise)	s ₁ ; s ₂ ; s ₃	90; 100; 85	90; 100; 85	90; 100; 60	90; 100; 60	90; 100; 65	90; 100; 65 mm
Distance between centre holes	u	300	300	325	325	375	375 mm
Water volume** in litres		140	140	170	170	230	230
Weight of the enamelled bath in kg		53	53	55	55	64	64
Anti-slip		348 x 348	348 x 348	396 x 396	396 x 396	396 x 396	396 x 396 mm
Full anti-slip		924 x 348	924 x 348	1165 x 396	1165 x 396	1260 x 396	1260 x 396 mm

Subject to technical alterations, tolerances and errors. Similar illustration.
** 70 litres displacement on average.

KALDEWEI

	Model Order No.	Dimensions cm	Colour price groups				EUR
			I (alpine white)	II	III	IV	
PURO with side overflow optional special leg set Mod. 5037	692 2592 0001 xxxx 657 2567 0001 xxxx 697 2597 0001 xxxx	170 x 80 x 42 180 x 80 x 42 190 x 90 x 42					
PURO STAR* with side overflow optional special leg set Mod. 5037	694* 2594 0001 xxxx 659* 2559 0001 xxxx 699* 2599 0001 xxxx	170 x 80 x 42 180 x 80 x 42 190 x 90 x 42					
* for mounting grips, grips subject to surcharge							
Design with opposite overflow available without extra charge	xxxx 2300 xxxx						
ACCESSORIES REQUIRED							
Special leg set for PURO	5037 5831 7000 0000						
and							
COMFORT-LEVEL extended, chrome see page 148	4002 6877 7051 0000						
COMFORT-LEVEL PLUS extended, chrome see page 148	4012 6877 7062 0000						
OPTIONAL SURFACE FINISHES							
Extra charge for easy-clean finish	xxxxxxx 3 xxx						
Anti-slip Anti-slip enamel							
Full anti-slip Full anti-slip enamel							
Please take into account when ordering anti-slip and full anti-slip finish the configuration of the KALDEWEI item number (see page 353). More information can be found on page 168 - 169.							
OPTIONAL ACCESSORIES							
Grip ELEGANT PURISM Type A (2 grips), see page 161	chrome	5908 7000 0999					
SOUND WAVE see page 171	6800 5845 7600 0000						
COMFORT SELECT Type A Electronic controls with operating panel, chrome for more information see page 154	4500 6897 2008 0999						
and							
COMFORT SELECT out and overflow fitting Standard without filling function. Further information and also shower hose options s. p. 158 - 159.	4501 6897 2009 0999						
COMFORT SELECT out and overflow fitting Standard with integrated filling function. The 4502 fitting requires a non return valve. This is not included. Further information and also shower hose options s. p. 158 - 159.	4502 6897 2000 x0999						

Baths incl. wellness-system with easy-clean finish.

Pre-assembled in factory. **Parts supplied: bath, wellness technology, waste and overflow fittings, leg set.**
Special equipment whirl systems see page 180. The whirl system order form is available at www.kaldewei.com

SKIN TOUCH see page 176	692/694 657/659 697/699	170 x 80 x 42 180 x 80 x 42 190 x 90 x 42				
SKIN TOUCH emotion see page 176	692/694 657/659 697/699	170 x 80 x 42 180 x 80 x 42 190 x 90 x 42				
VIVO TURBO 6 side jets also compatible with COMFORT SELECT	692/694 657/659 697/699	170 x 80 x 42 180 x 80 x 42 190 x 90 x 42				
VIVO TURBO PLUS 6 side jets also compatible with COMFORT SELECT	692/694 657/659 697/699	170 x 80 x 42 180 x 80 x 42 190 x 90 x 42				
VIVO VITA 12 floor jets	692/694 657/659 697/699	170 x 80 x 42 180 x 80 x 42 190 x 90 x 42				
VIVO AQUA ECO 6 side jets	692/694 657/659 697/699	170 x 80 x 42 180 x 80 x 42 190 x 90 x 42				
VIVO AQUA 8 side jets	692/694 657/659 697/699	170 x 80 x 42 180 x 80 x 42 190 x 90 x 42				
VIVO VARIO ECO 8 side jets, 12 floor jets	692/694 657/659 697/699	170 x 80 x 42 180 x 80 x 42 190 x 90 x 42				
VIVO VARIO PLUS 8 side jets, 12 floor jets + 2 microjets each in the back and foot area	692/694 657/659 697/699	170 x 80 x 42 180 x 80 x 42 190 x 90 x 42				

Caution! Disinfection system has to be installed externally! Further information can be found on our website www.kaldewei.com

Further accessories can be found on page 146. Available colours see page 170. • = separate accessory. For more information on the 12-digit KALDEWEI Article Number see page 353.

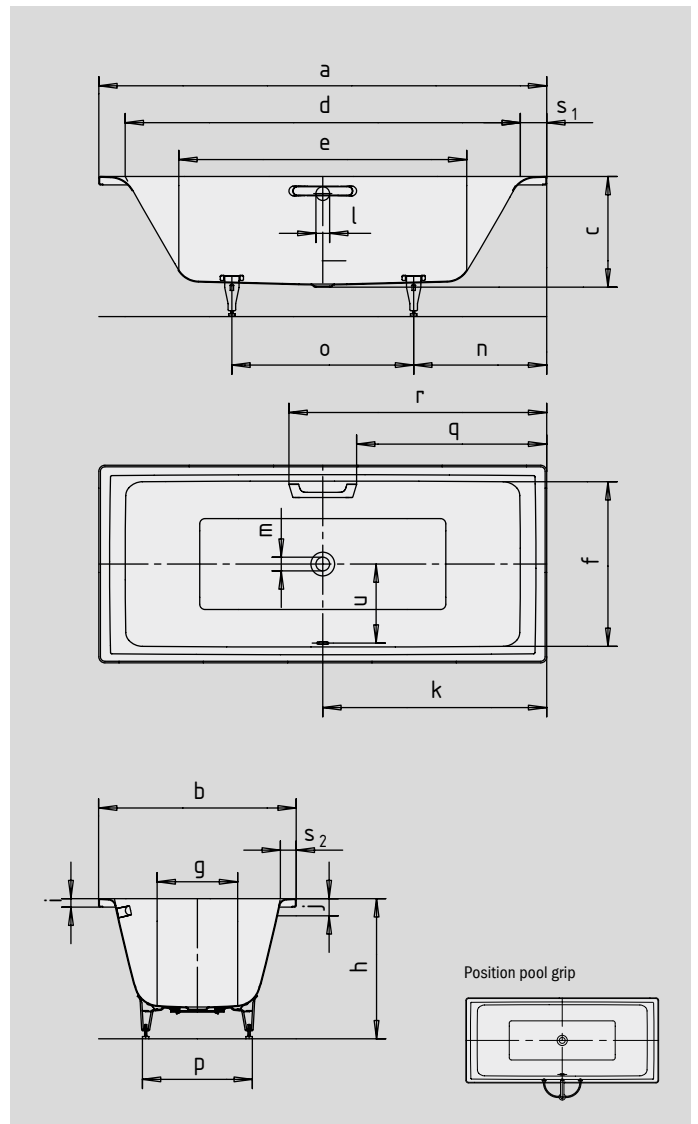
PURO DUO

- pure simplicity and unpretentious elegance are what distinguish these baths
- bathing with a friend: two identical back rests and centrally positioned waste
- classic four-cornered model
- made of KALDEWEI steel enamel



Similar illustration

To order the bath with pre-drilled grip holes on one side, please order model xxxx**1011**xxxx.



GRIP ELEGANT PURISM



Model No.		663	664	665
External length	a	1700	1800	1900 mm
External width	b	750	800	900 mm
Depth	c	420	420	420 mm
Internal length (top)	d	1500	1600	1700 mm
Internal length (bottom)	e	1020	1120	1220 mm
Internal width (top)	f	630	680	780 mm
Internal width (bottom)	g	460	510	615 mm
Height with feet	h	540-575	545-572	540-575 mm
Height of rim	i	32	32	32 mm
Distance top edge to centre of overflow hole	j	65	65	65 mm
Distance bath edge (foot) to centre of drain hole	k	850	900	950 mm
Diameter of overflow hole	l	52	52	52 mm
Diameter of drain hole	m	52	52	52 mm
Distance foot end of bath edge to centre of foot	n	545	535	585 mm
Distance between the feet	o	605	730	730 mm
Max. width of feet	p	465	510	605 mm
Distance bath edge (foot end) to where grip/handle starts	q	722	772	822 mm
Distance bath edge (foot end) to where grip/handle ends	r	978	1028	1078 mm
Width of rim (foot end; head end; lengthwise)	s ₁ ; s ₂ ; s ₃	100; 60	100; 60	100; 60 mm
Distance between centre holes	u	305	330	380 mm
Water volume** in litres		122	165	217
Weight of the enamelled bath in kg		48	54	61
Anti-slip		348 x 348	348 x 348	348 x 348 mm
Full anti-slip		876 x 252	924 x 348	1020 x 396 mm

Subject to technical alterations, tolerances and errors. Similar illustration.
 ** 70 litres displacement on average.

	Model Order No.	Dimensions cm	Colour price groups				EUR
			I (alpine white)	II	III	IV	
PURO DUO optional special leg set Mod. 5037	663 2663 0001 xxxx 664 2664 0001 xxxx 665 2665 0001 xxxx	170 x 75 x 42 180 x 80 x 42 190 x 90 x 42					
* for mounting grips, grips subject to surcharge							
Model with grip holes on one side available without extra charge	xxxx 1011 xxxx						
ACCESSORIES REQUIRED							
Special leg set for PURO DUO	5037 5831 7000 0000						
and							
COMFORT-LEVEL extended, chrome see page 148	4002 6877 7051 0000						
COMFORT-LEVEL PLUS extended, chrome see page 148	4012 6877 7062 0000						
OPTIONAL SURFACE FINISHES							
Extra charge for easy-clean finish	xxxxxxx 3 xxx						
Anti-slip Anti-slip enamel							
Full anti-slip Full anti-slip enamel							
Please take into account when ordering anti-slip and full anti-slip finish the configuration of the KALDEWEI item number (see page 353). More information can be found on page 168 - 169.							
OPTIONAL ACCESSORIES							
Grip ELEGANT PURISM Type B (1 grip), see page 161	chrome	5909 7000 0999					
SOUND WAVE see page 171	6800 5845 7600 0000						
COMFORT SELECT Type A Electronic controls with operating panel, chrome for more information see page 154	4500 6897 2008 0999						
and							
COMFORT SELECT out and overflow fitting Standard without filling function. Further information and also shower hose options s. p. 158 - 159.	4501 6897 2009 0999						
COMFORT SELECT out and overflow fitting Standard with integrated filling function. The 4502 fitting requires a non return valve. This is not included. Further information and also shower hose options s. p. 158 - 159.	4502 6897 2000 x0999						
Baths incl. wellness-system with easy-clean finish. Pre-assembled in factory. Parts supplied: bath, wellness technology, waste and overflow fittings, leg set. Special equipment whirl systems see page 180. The whirl system order form is available at www.kaldewei.com							
SKIN TOUCH see page 176	663 664 665	170 x 75 x 42 180 x 80 x 42 190 x 90 x 42					
SKIN TOUCH emotion see page 176	663 664 665	170 x 75 x 42 180 x 80 x 42 190 x 90 x 42					
VIVO TURBO 6 side jets also compatible with COMFORT SELECT	663 664 665	170 x 75 x 42 180 x 80 x 42 190 x 90 x 42					
VIVO TURBO PLUS 6 side jets also compatible with COMFORT SELECT	663 664 665	170 x 75 x 42 180 x 80 x 42 190 x 90 x 42					
VIVO VITA 10 floor jets 12 floor jets	663 664 665	170 x 75 x 42 180 x 80 x 42 190 x 90 x 42					
VIVO AQUA ECO 6 side jets	663 664 665	170 x 75 x 42 180 x 80 x 42 190 x 90 x 42					
VIVO AQUA 8 side jets	663 664 665	170 x 75 x 42 180 x 80 x 42 190 x 90 x 42					
VIVO VARIO ECO 8 side jets, 10 floor jets 8 side jets, 12 floor jets	663 664 665	170 x 75 x 42 180 x 80 x 42 190 x 90 x 42					
VIVO VARIO PLUS 8 side jets, 10 floor jets 8 side jets, 12 floor jets + 2 microjets each in the back and foot area	663 664 665	170 x 75 x 42 180 x 80 x 42 190 x 90 x 42					

Caution! Disinfection system has to be installed externally! Further information can be found on our website www.kaldewei.com

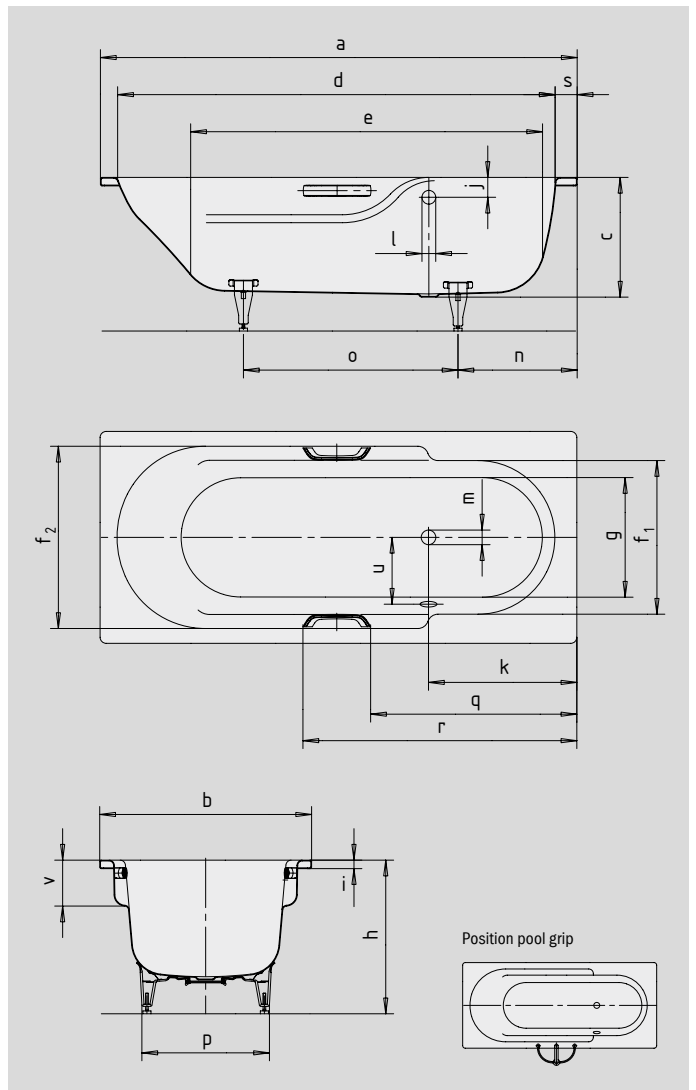
RONDO RONDO STAR

- the curvature of the interior contours provides lots of room for the upper part of the body
- wide arm rests for optimum bathing comfort
- classic four-cornered model
- made of KALDEWEI steel enamel
- also available with grips



Similar illustration

To order the bath with opposite overflow, please order model xxxx**2300**xxxx.



Grip DISCREET OPULENCE



SKIN TOUCH

SOUND WAVE

COMFORT SELECT

Model No.		700 / 701	710 / 711
External length	a	1700	1800 mm
External width	b	750	800 mm
Depth	c	445	445 mm
Internal length (top)	d	1560	1650 mm
Internal length (bottom)	e	1250	1340 mm
Internal width (top)	f ₁ , f ₂	530; 635	580; 690 mm
Internal width (bottom)	g	400	450 mm
Height with feet	h	576-601	576-601 mm
Height of rim	i	32	32 mm
Distance top edge to centre of overflow hole	j	75	75 mm
Distance bath edge to centre of drain hole	k	525	565 mm
Diameter of overflow hole	l	52	52 mm
Diameter of drain hole	m	52	52 mm
Distance foot end of bath edge to centre of foot	n	430	450 mm
Distance between the feet	o	710	810 mm
Max. width of feet	p	440	480 mm
Distance bath edge (foot end) to where grip/handle starts (Mod. 701/711)	q	761	811 mm
Distance bath edge (foot end) to where grip/handle ends (Mod. 701/711)	r	1034	1085 mm
Width of rim (foot end)	s	80	80 mm
Distance between centre holes	u	260	285 mm
Armrest depth	v	170	170 mm
Water volume** in litres		130	178
Weight of the enamelled bath in kg		51	57
Anti-slip		Ø 288	Ø 435 mm
Full anti-slip		900 x 300	900 x 300 mm

Note: The operational system may protrude on some whirl systems.
Please refer to the Technical Information for Whirl Systems for further information.
Subject to technical alterations, tolerances and errors. Similar illustration.
** 70 litres displacement on average.

KALDEWEI

	Model Order No.	Dimensions cm	Colour price groups				EUR
			I (alpine white)	II	III	IV	
RONDO ALLROUND leg set Mod. 5030 is mandatory	700 22150001xxxx 710 22170001xxxx	170 x 75 x 44,5 180 x 80 x 44,5					
RONDO STAR* ALLROUND leg set Mod. 5030 is mandatory	701* 22160001xxxx 711* 22180001xxxx	170 x 75 x 44,5 180 x 80 x 44,5					
* for mounting grips, grips subject to surcharge							
Design with opposite overflow available without extra charge	xxxx2300xxxx						
ACCESSORIES REQUIRED							
Leg set ALLROUND see page 151	5030 581470000000						
and							
COMFORT-LEVEL extended, chrome see page 148	4002 687770510000						
COMFORT-LEVEL PLUS extended, chrome see page 148	4012 687770620000						
OPTIONAL SURFACE FINISHES							
Extra charge for easy-clean finish	xxxxxxx3xxx						
Anti-slip Anti-slip enamel							
Full anti-slip Full anti-slip enamel							
Please take into account when ordering anti-slip and full anti-slip finish the configuration of the KALDEWEI item number (see page 353). More information can be found on page 168 - 169.							
OPTIONAL ACCESSORIES							
Grip DISCREET OPULENCE Type B (2 grips), see page 161	chrome	590770000999					
SOUND WAVE see page 171	6800 584576000000						
COMFORT SELECT Type A Electronic controls with operating panel, chrome for more information see page 154	4500 689720080999						
and							
COMFORT SELECT out and overflow fitting Standard without filling function. Further information and also shower hose options s. p. 158 - 159.	4501 689720090999						
COMFORT SELECT out and overflow fitting Standard with integrated filling function. The 4502 fitting requires a non return valve. This is not included. Further information and also shower hose options s. p. 158 - 159.	4502 68972000x0999						
Baths incl. wellness-system with easy-clean finish. Pre-assembled in factory. Parts supplied: bath, wellness technology, waste and overflow fittings, leg set. Special equipment whirl systems see page 180. MULTIVERSO panelling system for wellness baths see page 182 - 183. The whirl system order form is available at www.kaldewei.com							
SKIN TOUCH see page 176	700 / 701 710 / 711	170 x 75 x 44,5 180 x 80 x 44,5					
SKIN TOUCH emotion see page 176	700 / 701 710 / 711	170 x 75 x 44,5 180 x 80 x 44,5					
VIVO TURBO 6 side jets also compatible with COMFORT SELECT	700 / 701 710 / 711	170 x 75 x 44 180 x 80 x 44					
VIVO TURBO PLUS 6 side jets also compatible with COMFORT SELECT	700 / 701 710 / 711	170 x 75 x 44 180 x 80 x 44					
VIVO VITA 10 floor jets 12 floor jets	700 / 701 710 / 711	170 x 75 x 44 180 x 80 x 44					
VIVO AQUA ECO 6 side jets	700 / 701 710 / 711	170 x 75 x 44 180 x 80 x 44					
VIVO AQUA 8 side jets	700 / 701 710 / 711	170 x 75 x 44 180 x 80 x 44					
VIVO VARIO ECO 8 side jets, 10 floor jets 8 side jets, 12 floor jets	700 / 701 710 / 711	170 x 75 x 44 180 x 80 x 44					
VIVO VARIO PLUS 8 side jets, 10 floor jets + 2 microjets each in the back and foot area 8 side jets, 12 floor jets + 2 microjets each in the back and foot area	700 / 701 710 / 711	170 x 75 x 44 180 x 80 x 44					

RONDO 6

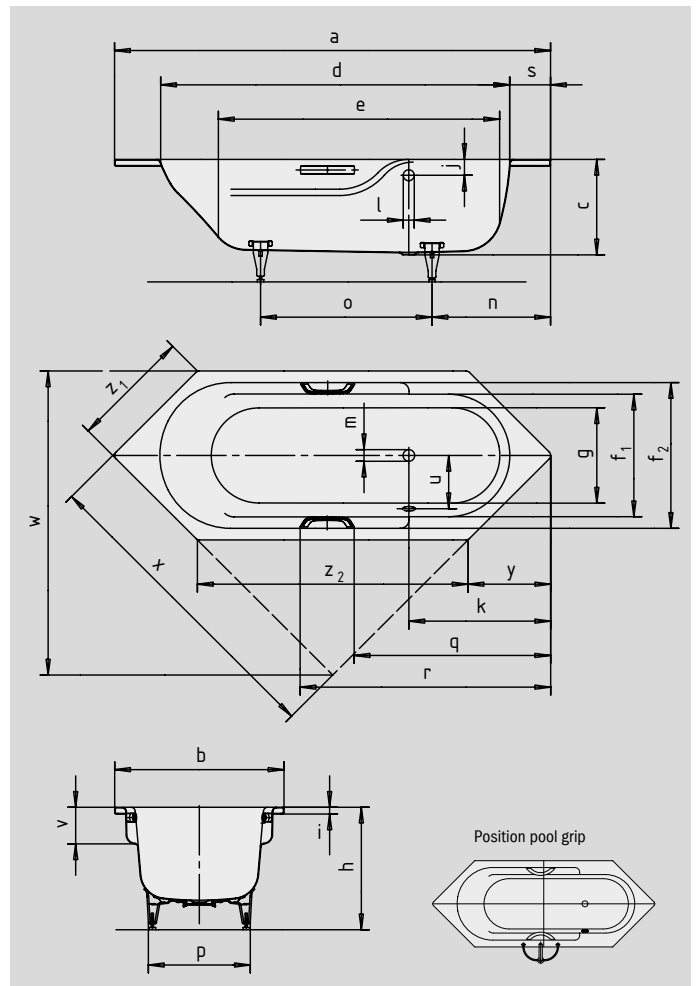
RONDO 6 STAR

- the curvature of the interior contours provides lots of room for the upper part of the body
- wide arm rests for optimum bathing comfort
- diverse installation possibilities, also corner installation
- made of KALDEWEI steel enamel
- also available with grips



Similar illustration

To order the bath with opposite overflow, please order model xxxx**2300**xxxx.



Grip DISCREET OPULENCE



Model No.		706 / 707	716 / 717
External length	a	1970	2060 mm
External width	b	750	800 mm
Depth	c	445	445 mm
Internal length (top)	d	1560	1650 mm
Internal length (bottom)	e	1250	1340 mm
Internal width (top)	f ₁ ; f ₂	530; 635	580; 690 mm
Internal width (bottom)	g	400	450 mm
Height with feet	h	576-601	576-601 mm
Height of rim	i	32	32 mm
Distance top edge to centre of overflow hole	j	75	75 mm
Distance bath edge to centre of drain hole	k	660	670 mm
Diameter of overflow hole	l	52	52 mm
Diameter of drain hole	m	52	52 mm
Distance foot end of bath edge to centre of foot	n	565	575 mm
Distance between the feet	o	730	810 mm
Max. width of feet	p	440	480 mm
Distance bath edge (foot end) to where grip/handle starts (Mod. 707/717)	q	904	929 mm
Distance bath edge (foot end) to where grip/handle ends (Mod. 707/717)	r	1159	1184 mm
Width of rim (foot end)	s	218	213 mm
Distance between centre holes	u	260	285 mm
Armrest depth	v	170	170 mm
Installation dimension	w	1370	1440 mm
Side length	x	1406	1470 mm
Oblique	y	365	390 mm
Side length	z ₁ ; z ₂	530; 1240	565; 1280 mm
Water volume** in litres		130	178
Weight of the enamelled bath in kg		48	54
Anti-slip		∅ 288	∅ 435 mm
Full anti-slip		900 x 300	900 x 300 mm

Note: The operational system may protrude on some whirl systems.
Please refer to the Technical Information for Whirl Systems for further information.
Subject to technical alterations, tolerances and errors. Similar illustration.
** 70 litres displacement on average.

KALDEWEI

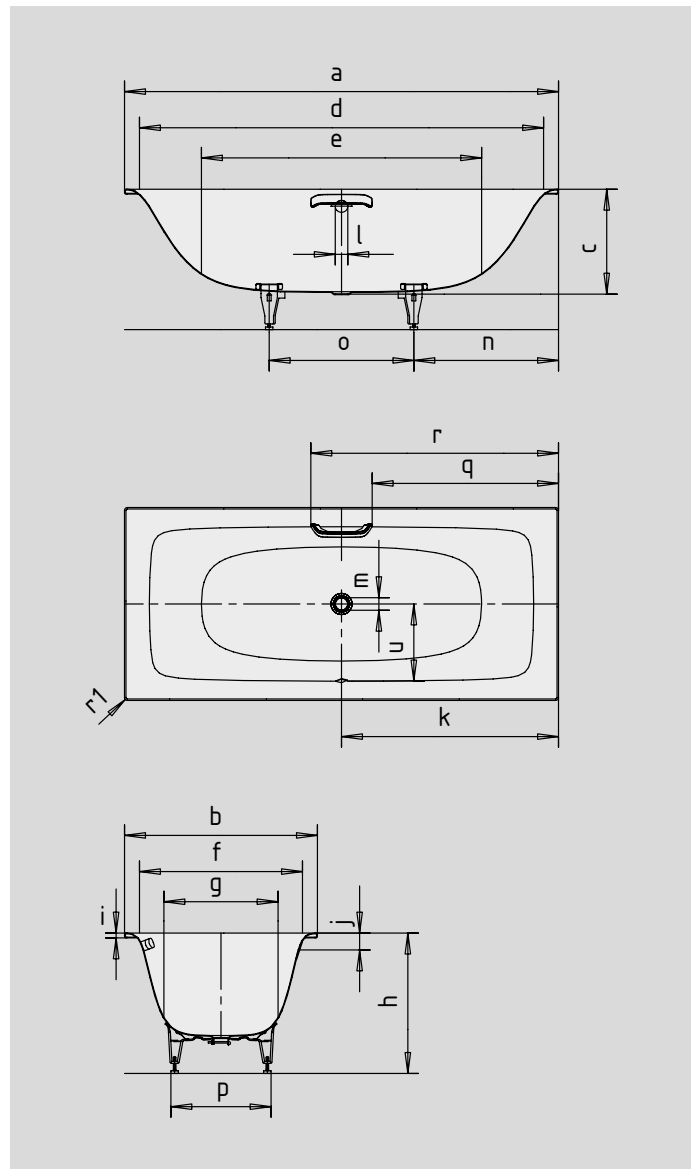
	Model Order No.	Dimensions cm	Colour price groups				EUR
			I (alpine white)	II	III	IV	
RONDO 6 ALLROUND leg set Mod. 5030 is mandatory	706 22710001xxxx 716 22730001xxxx	197 x 75 x 44,5 206 x 80 x 44,5					
RONDO 6 STAR* ALLROUND leg set Mod. 5030 is mandatory	707* 22720001xxxx 717* 22740001xxxx	197 x 75 x 44,5 206 x 80 x 44,5					
* for mounting grips, grips subject to surcharge							
Design with opposite overflow available without extra charge	xxxx2300xxxx						
ACCESSORIES REQUIRED							
Leg set ALLROUND see page 151	5030 581470000000						
and							
COMFORT-LEVEL extended, chrome see page 148	4002 687770510000						
COMFORT-LEVEL PLUS extended, chrome see page 148	4012 687770620000						
OPTIONAL SURFACE FINISHES							
Extra charge for easy-clean finish	xxxxxxx3xxx						
Anti-slip Anti-slip enamel							
Full anti-slip Full anti-slip enamel							
Please take into account when ordering anti-slip and full anti-slip finish the configuration of the KALDEWEI item number (see page 353). More information can be found on page 168 - 169.							
OPTIONAL ACCESSORIES							
Grip DISCREET OPULENCE Type B (2 grips), see page 161	chrome	590770000999					
SOUND WAVE see page 171	6800 584576000000						
COMFORT SELECT Type A Electronic controls with operating panel, chrome for more information see page 154	4500 689720080999						
and							
COMFORT SELECT out and overflow fitting Standard without filling function. Further information and also shower hose options s. p. 158 - 159.	4501 689720090999						
COMFORT SELECT out and overflow fitting Standard with integrated filling function. The 4502 fitting requires a non return valve. This is not included. Further information and also shower hose options s. p. 158 - 159.	4502 68972000x0999						
Baths incl. wellness-system with easy-clean finish. Pre-assembled in factory. Parts supplied: bath, wellness technology, waste and overflow fittings, leg set. Special equipment whirl systems see page 180. MULTIVERSO panelling system for wellness baths see page 182 - 183. The whirl system order form is available at www.kaldewei.com							
SKIN TOUCH see page 176	706 / 707 716 / 717	197 x 75 x 44 206 x 80 x 44					
SKIN TOUCH emotion see page 176	706 / 707 716 / 717	197 x 75 x 44 206 x 80 x 44					
VIVO TURBO 6 side jets also compatible with COMFORT SELECT	706 / 707 716 / 717	197 x 75 x 44,5 206 x 80 x 44,5					
VIVO TURBO PLUS 6 side jets also compatible with COMFORT SELECT	706 / 707 716 / 717	197 x 75 x 44,5 206 x 80 x 44,5					
VIVO VITA 10 floor jets 12 floor jets	706 / 707 716 / 717	197 x 75 x 44,5 206 x 80 x 44,5					
VIVO AQUA ECO 6 side jets	706 / 707 716 / 717	197 x 75 x 44,5 206 x 80 x 44,5					
VIVO AQUA 8 side jets	706 / 707 716 / 717	197 x 75 x 44,5 206 x 80 x 44,5					
VIVO VARIO ECO 8 side jets, 10 floor jets 8 side jets, 12 floor jets	706 / 707 716 / 717	197 x 75 x 44,5 206 x 80 x 44,5					
VIVO VARIO PLUS 8 side jets, 10 floor jets + 2 microjets each in the back and foot area 8 side jets, 12 floor jets + 2 microjets each in the back and foot area	706 / 707 716 / 717	197 x 75 x 44,5 206 x 80 x 44,5					

SILENIO

- flowing form integrates harmoniously in your bathroom
- its ergonomically fluid interior is designed for relaxed bathing
- versatile for any installation situation
- also available with grip on one side
- bathing à deux: two identical backrests and central waste
- made of KALDEWEI steel enamel
- designed by Anke Salomon



Similar illustrations



GRIP DISCREET OPULENCE



Model No.		674	676	678
External length	a	1700	1800	1900 mm
External width	b	750	800	900 mm
Depth	c	410	435	435 mm
Internal length (top)	d	1576	1676	1776 mm
Internal length (bottom)	e	1112	1162	1262 mm
Internal width (top)	f	626	676	776 mm
Internal width (bottom)	g	423	473	537 mm
Height of bath	h	544-583	570-605	565-602 mm
Height of rim	i	20	20	20 mm
Distance top edge to centre of overflow hole	j	70	70	70 mm
Distance bath edge to centre of drain hole	k	850	900	950 mm
Diameter of overflow hole	l	52	52	52 mm
Diameter of drain hole	m	52	52	52 mm
Distance foot end of bath edge to centre of foot	n	566	595	591 mm
Distance between the feet	o	568	610	718 mm
Max. width of feet	p	340	360	430 mm
Distance bath edge to where grip/handle starts	q	722	772	822 mm
Distance bath edge to where grip/handle ends	r	978	1028	1078 mm
Radius	r ₁	12	12	12 mm
Distance between centre holes	u	293	320	362 mm
Water volume** in litres		96	140	188
Weight of the enamelled bath in kg		48	54	61
Full anti-slip		780 x 252	828 x 300	924 x 348 mm

Subject to technical alterations, tolerances and errors. Similar illustrations.
 ** 70 litres displacement on average.

	Model Order No.	Dimensions cm	Colour price groups				EUR
			I (alpine white)	II	III	IV	
SILENIO ALLROUND leg set Mod. 5037 is mandatory	674 2674 0001 xxxx 676 2676 0001 xxxx 678 2678 0001 xxxx	170 x 75 x 41 180 x 80 x 43,5 190 x 90 x 43,5					
ACCESSORIES REQUIRED							
Special leg set SILENIO	5037 5831 7000 0000						
COMFORT-LEVEL extended, chrome	4002 6877 7051 0000						
COMFORT-LEVEL PLUS extended, chrome	4012 6877 7062 0000						
OPTIONAL SURFACE FINISHES							
Extra charge for easy-clean finish	xxxxxxx3xxx						
Full anti-slip Full anti-slip enamel							
OPTIONAL ACCESSORIES							
Model with grip holes on one side available without extra charge	xxxx 1011 xxxx						
Grip DISCREET OPULENCE Type C (1 grip)	chrome	5913 7000 0999					
SOUND WAVE optional accessories	6800 5845 7600 0000						

VAIO

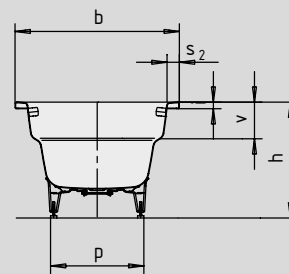
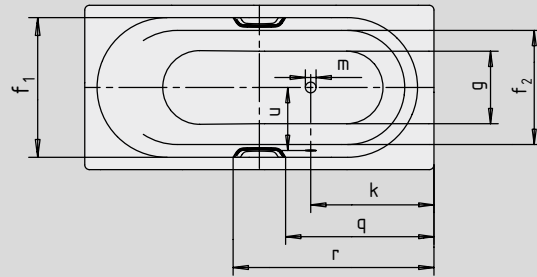
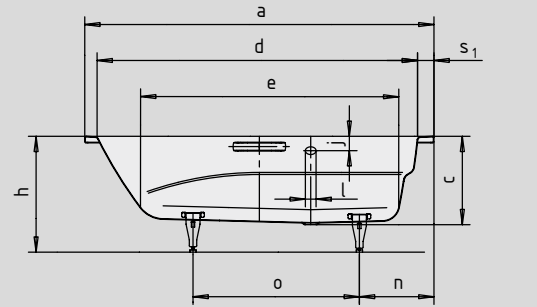
VAIO STAR

- one-seater bath with side overflow and integrated arm rests
- classic four-cornered model
- made of KALDEWEI steel enamel
- also available with grips

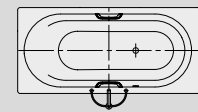


Similar illustration*

To order the bath with opposite overflow, please order model xxx2300xxx.



Position pool grip



Grip DISCREET OPULENCE



Model No.		960 / 961
External length	a	1700 mm
External width	b	800 mm
Depth	c	430 mm
Internal length (top)	d	1560 mm
Internal length (bottom)	e	1255 mm
Internal width (top)	f ₁ ; f ₂	680; 555 mm
Internal width (bottom)	g	496 mm
Height with feet	h	555-590 mm
Height of rim	i	32 mm
Distance top edge to centre of overflow hole	j	70 mm
Distance bath edge to centre of drain hole	k	600 mm
Diameter of overflow hole	l	52 mm
Diameter of drain hole	m	52 mm
Distance foot end of bath edge to centre of foot	n	443 mm
Distance between the feet	o	670 mm
Max. width of feet	p	445 mm
Distance bath edge (foot end) to where grip/handle starts (Mod. 961)	q	722 mm
Distance bath edge (foot end) to where grip/handle ends (Mod. 961)	r	978 mm
Width of rim (foot end; lengthwise)	s ₁ ; s ₂	80; 60 mm
Distance between centre holes	u	332 mm
Armrest depth	v	180 mm
Water volume** in litres		145
Weight of the enamelled bath in kg		50
Anti-slip		∅ 435 mm
Full anti-slip		900 x 300 mm

Subject to technical alterations, tolerances and errors. Similar illustration.
** 70 litres displacement on average.

KALDEWEI

	Model Order No.	Dimensions cm	Colour price groups				EUR
			I (alpine white)	II	III	IV	
VAIO ALLROUND leg set Mod. 5030 is mandatory	960 2340 0001 xxxx	170 x 80 x 43					
VAIO STAR* ALLROUND leg set Mod. 5030 is mandatory	961* 2341 0001 xxxx	170 x 80 x 43					
* for mounting grips, grips subject to surcharge							
Design with opposite overflow available without extra charge	xxxx 2300 xxxx						
ACCESSORIES REQUIRED							
Leg set ALLROUND see page 151	5030 5814 7000 0000						
and							
COMFORT-LEVEL extended, chrome see page 148	4002 6877 7051 0000						
OPTIONAL SURFACE FINISHES							
Extra charge for easy-clean finish	xxxx xxxx3 xxx						
Anti-slip Anti-slip enamel							
Full anti-slip Full anti-slip enamel							
Please take into account when ordering anti-slip and full anti-slip finish the configuration of the KALDEWEI item number (see page 353). More information can be found on page 168 - 169.							
OPTIONAL ACCESSORIES							
Grip DISCREET OPULENCE Type B (2 grips), see page 161	chrome	5907 7000 0999					
SOUND WAVE see page 171	6800 5845 7600 0000						
COMFORT SELECT Type A Electronic controls with operating panel, chrome for more information see page 154	4500 6897 2008 0999						
and							
COMFORT SELECT out and overflow fitting Standard without filling function. Further information and also shower hose options s. p. 158 - 159.	4501 6897 2009 0999						
COMFORT SELECT out and overflow fitting Standard with integrated filling function. The 4502 fitting requires a non return valve. This is not included. Further information and also shower hose options s. p. 158 - 159.	4502 6897 2000 x0999						
Baths incl. wellness-system with easy-clean finish. Pre-assembled in factory. Parts supplied: bath, wellness technology, waste and overflow fittings, leg set. Special equipment whirl systems see page 180. MULTIVERSO panelling system for wellness baths see page 182 - 183. The whirl system order form is available at www.kaldewei.com							
VIVO TURBO 6 side jets also compatible with COMFORT SELECT	960/961	170 x 80 x 43					
VIVO TURBO PLUS 6 side jets also compatible with COMFORT SELECT	960/961	170 x 80 x 43					

VAIO 6

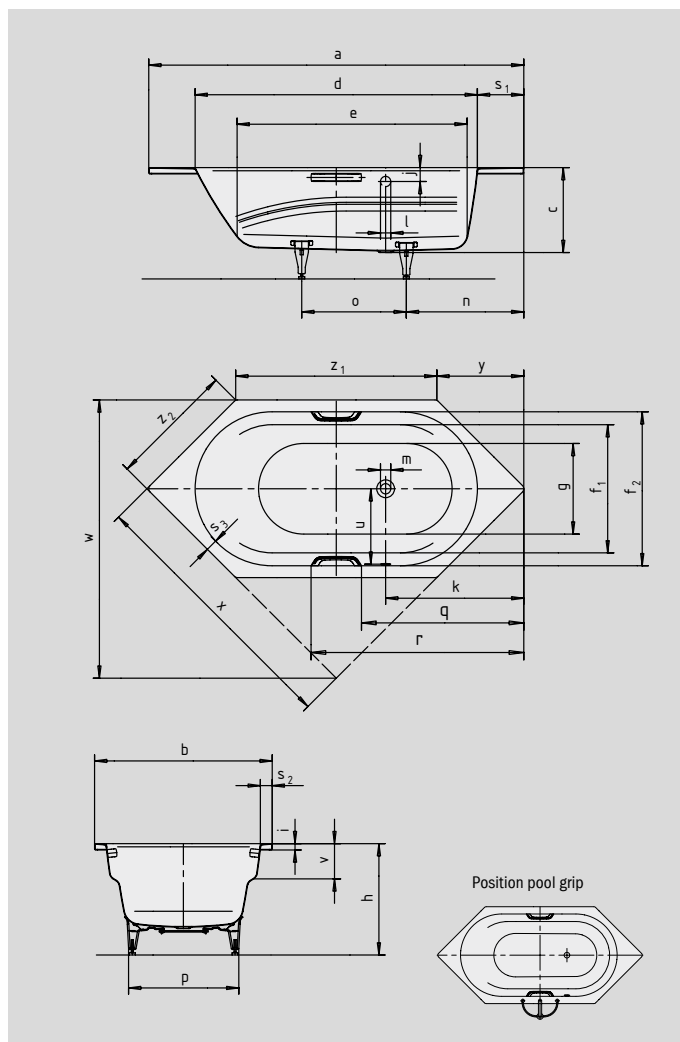
VAIO 6 STAR

- one-seater bath with side overflow, generous width and integrated arm rests
- diverse installation possibilities, also corner installation
- made of KALDEWEI steel enamel
- also available with grips



Similar illustration

To order the bath with opposite overflow, please order model xxxx**2300**xxxx.



Grip DISCREET OPULENCE



Model No.			958 / 959
External length	a		1900 mm
External width	b		900 mm
Depth	c		430 mm
Internal length (top)	d		1430 mm
Internal length (bottom)	e		1165 mm
Internal width (top)	f ₁ ; f ₂		650; 780 mm
Internal width (bottom)	g		600 mm
Height with feet	h		555-585 mm
Height of rim	i		32 mm
Distance top edge to centre of overflow hole	j		70 mm
Distance bath edge to centre of drain hole	k		700 mm
Diameter of overflow hole	l		52 mm
Diameter of drain hole	m		52 mm
Distance foot end of bath edge to centre of foot	n		595 mm
Distance between the feet	o		530 mm
Max. width of feet	p		575 mm
Distance bath edge (foot end) to where grip/handle starts (Mod. 959)	q		770 mm
Distance bath edge (foot end) to where grip/handle ends (Mod. 959)	r		1078 mm
Width of rim (foot end; lengthwise; diagonal)	s ₁ ; s ₂ ; s ₃		235; 60; 58 mm
Distance between centre holes	u		380 mm
Armrest depth	v		178 mm
Installation dimension; Side length; Oblique	w; x; y		1409; 1357; 440 mm
Side length	z ₁ ; z ₂		1019; 636 mm
Water volume** in litres			145
Weight of the enamelled bath in kg			48
Anti-slip			∅ 435 mm
Full anti-slip			900 x 300 mm

Subject to technical alterations, tolerances and errors. Similar illustration.
 ** 70 litres displacement on average.

KALDEWEI

	Model Order No.	Dimensions cm	Colour price groups				EUR
			I (alpine white)	II	III	IV	
VAIO 6 optional special leg set Mod. 5037	958 2338 0001 xxxx	190 x 90 x 43					
VAIO 6 STAR* optional special leg set Mod. 5037	959* 2339 0001 xxxx	190 x 90 x 43					
* for mounting grips, grips subject to surcharge							
Design with opposite overflow available without extra charge	xxxx 2300 xxxx						
ACCESSORIES REQUIRED							
Special leg set for VAIO 6/VAIO 6 STAR	5037 5831 7000 0000						
and							
COMFORT-LEVEL extended, chrome see page 148	4002 6877 7051 0000						
OPTIONAL SURFACE FINISHES							
Extra charge for easy-clean finish	xxxx xxxx3 xxx						
Anti-slip Anti-slip enamel							
Full anti-slip Full anti-slip enamel							
Please take into account when ordering anti-slip and full anti-slip finish the configuration of the KALDEWEI item number (see page 353). More information can be found on page 168 - 169.							
OPTIONAL ACCESSORIES							
Grip DISCREET OPULENCE Type B (2 grips), see page 161	chrome	5907 7000 0999					
SOUND WAVE see page 171	6800 5845 7600 0000						
COMFORT SELECT Type A Electronic controls with operating panel, chrome for more information see page 154	4500 6897 2008 0999						
and							
COMFORT SELECT out and overflow fitting Standard without filling function. Further information and also shower hose options s. p. 158 - 159.	4501 6897 2009 0999						
COMFORT SELECT out and overflow fitting Standard with integrated filling function. The 4502 fitting requires a non return valve. This is not included. Further information and also shower hose options s. p. 158 - 159.	4502 6897 2000 x0999						
Baths incl. wellness-system with easy-clean finish. Pre-assembled in factory. Parts supplied: bath, wellness technology, waste and overflow fittings, leg set. Special equipment whirl systems see page 180. MULTIVERSO panelling system for wellness baths see page 182 - 183. The whirl system order form is available at www.kaldewei.com							
VIVO TURBO 6 side jets also compatible with COMFORT SELECT	958/959	190 x 90 x 43					
VIVO TURBO PLUS 6 side jets also compatible with COMFORT SELECT	958/959	190 x 90 x 43					
VIVO VITA 10 floor jets	958/959	190 x 90 x 43					

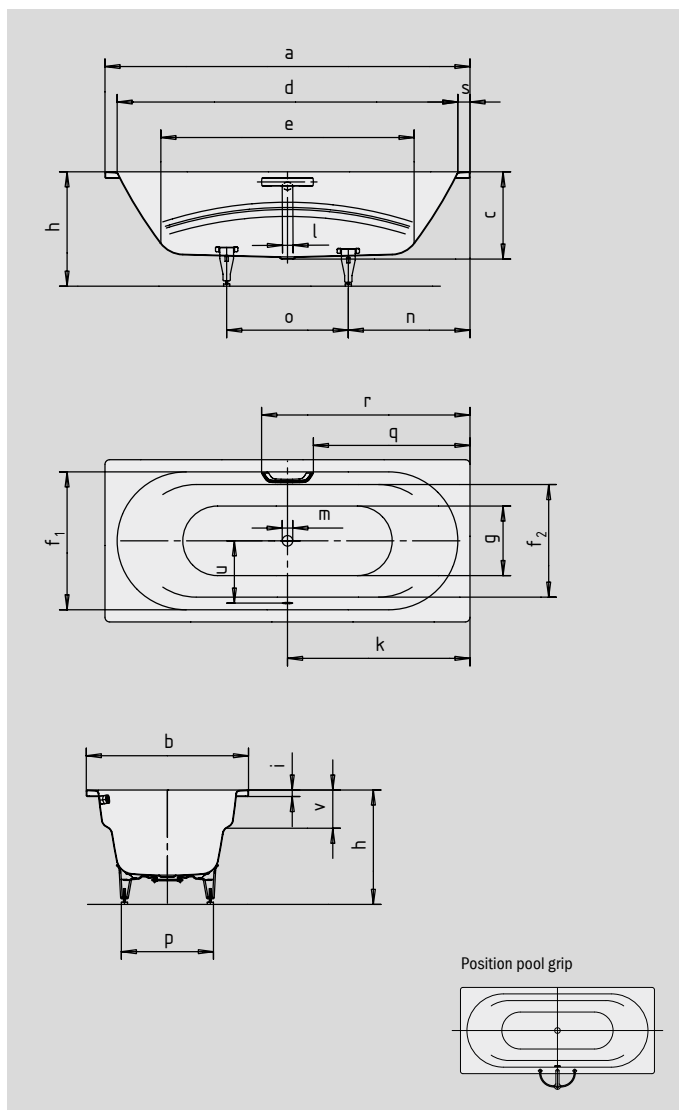
VAIO DUO

- bathing with a friend: two identical back rests and centrally positioned waste
- with integrated arm rests
- classic four-cornered model
- made of KALDEWEI steel enamel



Similar illustration

To order the bath with pre-drilled grip holes on one side, please order model xxxx**1011**xxxx.



Grip DISCREET OPULENCE



Model No.		950
External length	a	1800 mm
External width	b	800 mm
Depth	c	430 mm
Internal length (top)	d	1680 mm
Internal length (bottom)	e	1248 mm
Internal width (top)	f ₁ , f ₂	680; 555 mm
Internal width (bottom)	g	496 mm
Height with feet	h	550-590 mm
Height of rim	i	32 mm
Distance top edge to centre of overflow hole	j	70 mm
Distance bath edge to centre of drain hole	k	900 mm
Diameter of overflow hole	l	52 mm
Diameter of drain hole	m	52 mm
Distance foot end of bath edge to centre of foot	n	600 mm
Distance between the feet	o	600 mm
Max. width of feet	p	455 mm
Distance bath edge (foot end) to where grip/handle starts	q	772 mm
Distance bath edge (foot end) to where grip/handle ends	r	1028 mm
Width of rim (foot end)	s	60 mm
Distance between centre holes	u	332 mm
Armrest depth	v	180 mm
Water volume** in litres		155
Weight of the enamelled bath in kg		54
Anti-slip		∅ 435 mm
Full anti-slip		900 x 300 mm

Subject to technical alterations, tolerances and errors. Similar illustration.
 ** 70 litres displacement on average.

KALDEWEI

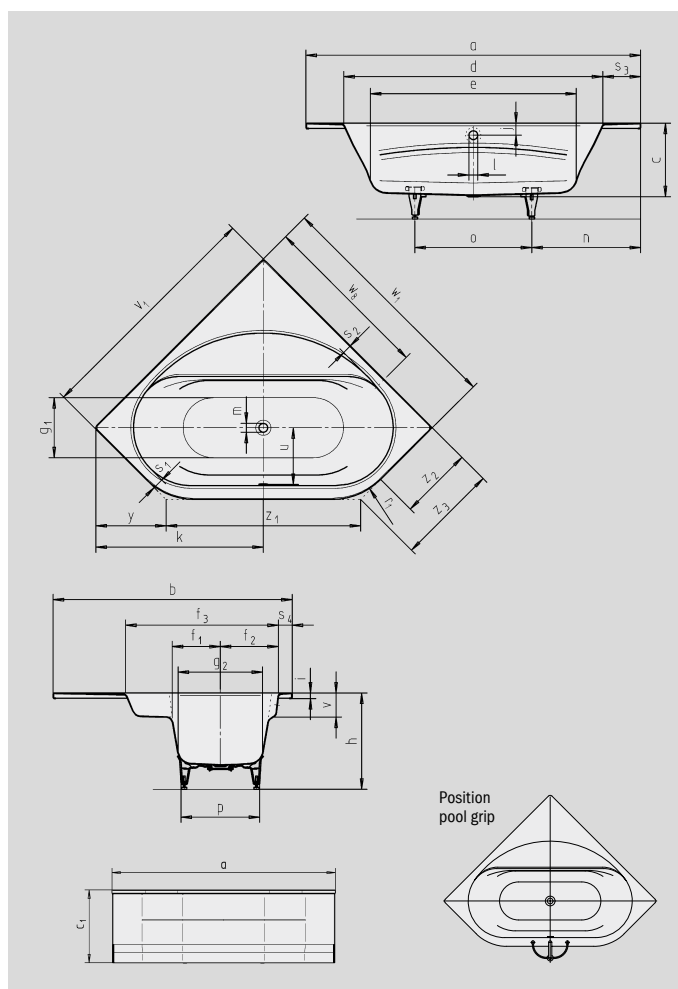
	Model Order No.	Dimensions cm	Colour price groups				EUR
			I (alpine white)	II	III	IV	
VAIO DUO ALLROUND leg set Mod. 5030 is mandatory	950 2330 0001 xxxx	180 x 80 x 43					
Model with grip holes on one side available without extra charge	xxxx 1011 xxxx						
ACCESSORIES REQUIRED							
Leg set ALLROUND see page 151	5030 5814 7000 0000						
and							
COMFORT-LEVEL extended, chrome see page 148	4002 6877 7051 0000						
OPTIONAL SURFACE FINISHES							
Extra charge for easy-clean finish	xxxxxxx 3 xxx						
Anti-slip Anti-slip enamel							
Full anti-slip Full anti-slip enamel							
Please take into account when ordering anti-slip and full anti-slip finish the configuration of the KALDEWEI item number (see page 353). More information can be found on page 168 - 169.							
OPTIONAL ACCESSORIES							
Grip DISCREET OPULENCE Type A (1 grip), see page 161	chrome	5906 7000 0999					
SOUND WAVE see page 171	6800 5845 7600 0000						
COMFORT SELECT Type A Electronic controls with operating panel, chrome for more information see page 154	4500 6897 2008 0999						
and							
COMFORT SELECT out and overflow fitting Standard without filling function. Further information and also shower hose options s. p. 158 - 159.	4501 6897 2009 0999						
COMFORT SELECT out and overflow fitting Standard with integrated filling function. The 4502 fitting requires a non return valve. This is not included. Further information and also shower hose options s. p. 158 - 159.	4502 6897 2000 x0999						
Baths incl. wellness-system with easy-clean finish. Pre-assembled in factory. Parts supplied: bath, wellness technology, waste and overflow fittings, leg set. Special equipment whirl systems see page 180. MULTIVERSO panelling system for wellness baths see page 182 - 183. The whirl system order form is available at www.kaldewei.com							
VIVO TURBO 6 side jets also compatible with COMFORT SELECT	950	180 x 80 x 43					
VIVO TURBO PLUS 6 side jets also compatible with COMFORT SELECT	950	180 x 80 x 43					
VIVO VITA 10 floor jets	950	180 x 80 x 43					

VAIO DUO 3 VAIO DUO 3 WITH MOULDED PANEL

- attractive corner bath with distinct arm rest which can also be used as a seat
- bathing with a friend: two identical back rests and centrally positioned waste
- made of KALDEWEI steel enamel
- also available with panel



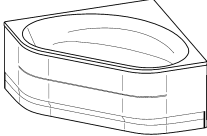
Similar illustration



Model No.		962	962-7
External length	a	1961	1961 mm
External width	b	1401	1401 mm
Overall height with panel	c ₁	-	560 mm
Depth	c	430	430 mm
Internal length (top)	d	1522	1522 mm
Internal length (bottom)	e	1206	1206 mm
Internal width (top) bathing area; incl. armrest	f ₁ ; f ₂ ; f ₃	282; 340; 855	282; 340; 855 mm
Internal width (bottom)	g ₁ ; g ₂	353; 496	353; 496 mm
Height with feet	h	550-590	550-590 mm
Height of rim	i	32	32 mm
Distance top edge to centre of overflow hole	j	70	70 mm
Distance bath edge to centre of drain hole	k	980	980 mm
Diameter of overflow hole	l	52	52 mm
Diameter of drain hole	m	52	52 mm
Distance foot end of bath edge to centre of foot	n	680,5	680,5 mm
Distance between the feet	o	600	600 mm
Max. width of feet	p	455	455 mm
Radius	r ₁	400	400 mm
Width of rim (foot end; lengthwise)	s ₁ ; s ₂ ; s ₃ ; s ₄	62; 55; 219; 80	62; 55; 219; 80 mm
Distance between centre holes	u	332	332 mm
Armrest depth	v	140	140 mm
Side length	v ₁	1400	1400 mm
Side width	w ₁	1400	1400 mm
Narrowest point (for wall inlet fittings)	w ₃	1000	1000 mm
Oblique	y	410,5	410,5 mm
Side length	z ₁ ; z ₂ ; z ₃	1140; 428; 594	1140; 428; 594 mm
Water volume** in litres		125	125
Weight of the enamelled bath in kg		53	58
Anti-slip		Ø 435	Ø 435 mm
Full anti-slip		900 x 300	900 x 300 mm

Subject to technical alterations, tolerances and errors. Similar illustration.
** 70 litres displacement on average.

KALDEWEI

	Model Order No.	Dimensions cm	Colour price groups				EUR
			I (alpine white)	II	III	IV	
VAIO DUO 3 optional special leg set Mod. 5037 The 962 model cannot be retrofitted with panel	962 2342 0001 xxxx	140 x 140 x 43					
VAIO DUO 3 with moulded panel** incl. special base Mod. 5037 	962-7** 2342 4805 xxxx	140 x 140 x 43					
** Panel colours: aegean, alpine white, edelweiss, manhattan, natura, pergamon, star white, black (colour code and colour price group see page 170).							
ACCESSORIES REQUIRED							
Special leg set for VAIO DUO 3	5037 5831 7000 0000						
and							
COMFORT-LEVEL extended, chrome see page 148	4002 6877 7051 0000						
OPTIONAL SURFACE FINISHES							
Extra charge for easy-clean finish	xxxx xxxx3 xxx						
Anti-slip Anti-slip enamel							
Full anti-slip Full anti-slip enamel							
Please take into account when ordering anti-slip and full anti-slip finish the configuration of the KALDEWEI item number (see page 353). More information can be found on page 168 - 169.							
OPTIONAL ACCESSORIES							
SOUND WAVE see page 171	6800 5845 7600 0000						
COMFORT SELECT Type A Electronic controls with operating panel, chrome for more information see page 154	4500 6897 2008 0999						
and							
COMFORT SELECT out and overflow fitting Standard without filling function. Further information and also shower hose options s. p. 158 - 159.	4501 6897 2009 0999						
COMFORT SELECT out and overflow fitting Standard with integrated filling function. The 4502 fitting requires a non return valve. This is not included. Further information and also shower hose options s. p. 158 - 159.	4502 6897 2000 x0999						
Baths incl. wellness-system with easy-clean finish. Pre-assembled in factory. Parts supplied: bath, wellness technology, waste and overflow fittings, leg set. Special equipment whirl systems see page 180. The whirl system order form is available at www.kaldewei.com							
SKIN TOUCH see page 176	962	140 x 140 x 43					
SKIN TOUCH emotion see page 176	962	140 x 140 x 43					
VIVO TURBO 6 side jets with additional panel also compatible with COMFORT SELECT	962 962-7	140 x 140 x 43 140 x 140 x 43					
VIVO TURBO PLUS 6 side jets with additional panel also compatible with COMFORT SELECT	962 962-7	140 x 140 x 43 140 x 140 x 43					
VIVO VITA 10 floor jets with additional panel	962 962-7	140 x 140 x 43 140 x 140 x 43					
VIVO AQUA ECO 6 side jets with additional panel	962 962-7	140 x 140 x 43 140 x 140 x 43					
VIVO AQUA 6 side jets with additional panel	962 962-7	140 x 140 x 43 140 x 140 x 43					
VIVO VARIO ECO 6 side jets, 10 floor jets	962	140 x 140 x 43					
VIVO VARIO PLUS 6 side jets, 10 floor jets + 2 microjets each in the back and foot area	962	140 x 140 x 43					

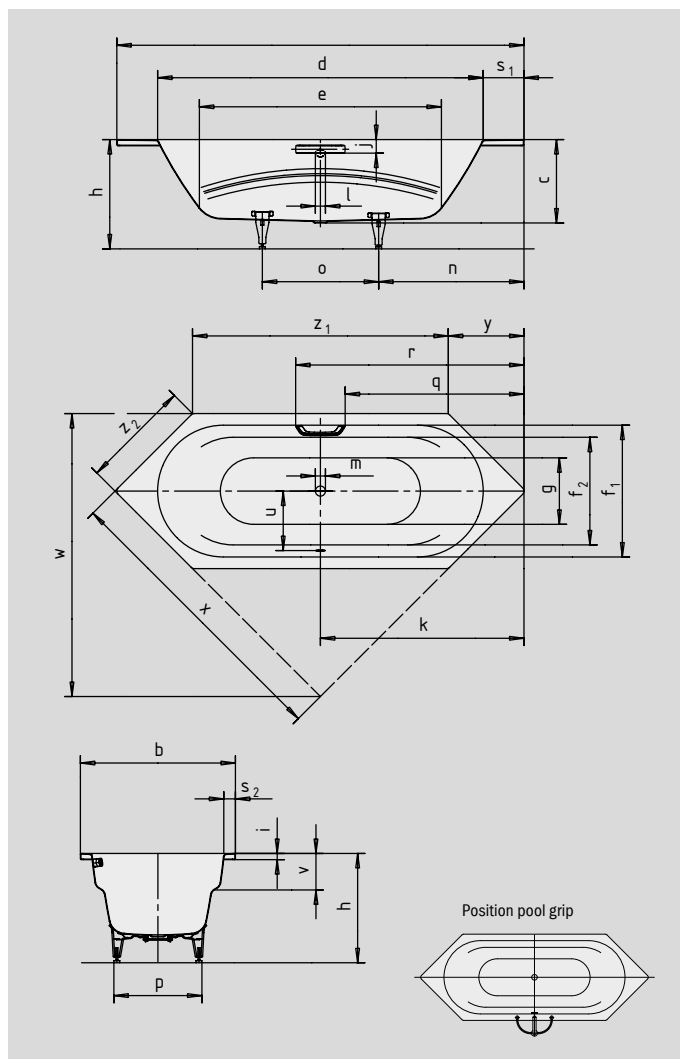
VAIO DUO 6

- bathing with a friend: two identical back rests and centrally positioned waste
- with integrated arm rests
- diverse installation possibilities, also corner installation
- made of KALDEWEI steel enamel



Similar illustration

To order the bath with pre-drilled grip holes on one side, please order model xxxx**1011**xxxx.



Grip DISCREET OPULENCE



Model No.		952
External length	a	2100 mm
External width	b	800 mm
Depth	c	430 mm
Internal length (top)	d	1680 mm
Internal length (bottom)	e	1248 mm
Internal width (top)	f ₁ ; f ₂	680; 555 mm
Internal width (bottom)	g	496 mm
Height with feet	h	550-590 mm
Height of rim	i	32 mm
Distance top edge to centre of overflow hole	j	70 mm
Distance bath edge to centre of drain hole	k	1050 mm
Diameter of overflow hole	l	52 mm
Diameter of drain hole	m	52 mm
Distance foot end of bath edge to centre of foot	n	750 mm
Distance between the feet	o	600 mm
Max. width of feet	p	455 mm
Distance bath edge (foot end) to where grip/handle starts	q	923 mm
Distance bath edge (foot end) to where grip/handle ends	r	1178 mm
Width of rim (foot end; lengthwise)	s ₁ ; s ₂	210; 60 mm
Distance between centre holes	u	332 mm
Armrest depth	v	180 mm
Installation dimension; Side length; Oblique	w; x; y	1460; 1499; 390 mm
Side length	z ₁ ; z ₂	1320; 566 mm
Water volume** in litres		155
Weight of the enamelled bath in kg		51
Anti-slip		∅ 435 mm
Full anti-slip		900 x 300 mm

Subject to technical alterations, tolerances and errors. Similar illustration.
 ** 70 litres displacement on average.

KALDEWEI

	Model Order No.	Dimensions cm	Colour price groups				EUR
			I (alpine white)	II	III	IV	
VAIO DUO 6 ALLROUND leg set Mod. 5030 is mandatory	952 2332 0001 xxxx	210 x 80 x 43					
ACCESSORIES REQUIRED							
Leg set ALLROUND see page 151	5030 5814 7000 0000						
and							
COMFORT-LEVEL extended, chrome see page 148	4002 6877 7051 0000						
OPTIONAL SURFACE FINISHES							
Extra charge for easy-clean finish	xxxxxxx3xxx						
Anti-slip Anti-slip enamel							
Full anti-slip Full anti-slip enamel							
Please take into account when ordering anti-slip and full anti-slip finish the configuration of the KALDEWEI item number (see page 353). More information can be found on page 168 - 169.							
OPTIONAL ACCESSORIES							
Grip DISCREET OPULENCE Type A (1 grip), see page 161	chrome	5906 7000 0999					
SOUND WAVE see page 171	6800 5845 7600 0000						
COMFORT SELECT Type A Electronic controls with operating panel, chrome for more information see page 154	4500 6897 2008 0999						
and							
COMFORT SELECT out and overflow fitting Standard without filling function. Further information and also shower hose options s. p. 158 - 159.	4501 6897 2009 0999						
COMFORT SELECT out and overflow fitting Standard with integrated filling function. The 4502 fitting requires a non return valve. This is not included. Further information and also shower hose options s. p. 158 - 159.	4502 6897 2000 x0999						
Baths incl. wellness-system with easy-clean finish. Pre-assembled in factory. Parts supplied: bath, wellness technology, waste and overflow fittings, leg set. Special equipment whirl systems see page 180. MULTIVERSO panelling system for wellness baths see page 182 - 183. The whirl system order form is available at www.kaldewei.com							
VIVO TURBO 6 side jets also compatible with COMFORT SELECT	952	210 x 80 x 43					
VIVO TURBO PLUS 6 side jets also compatible with COMFORT SELECT	952	210 x 80 x 43					
VIVO VITA 10 floor jets	952	210 x 80 x 43					

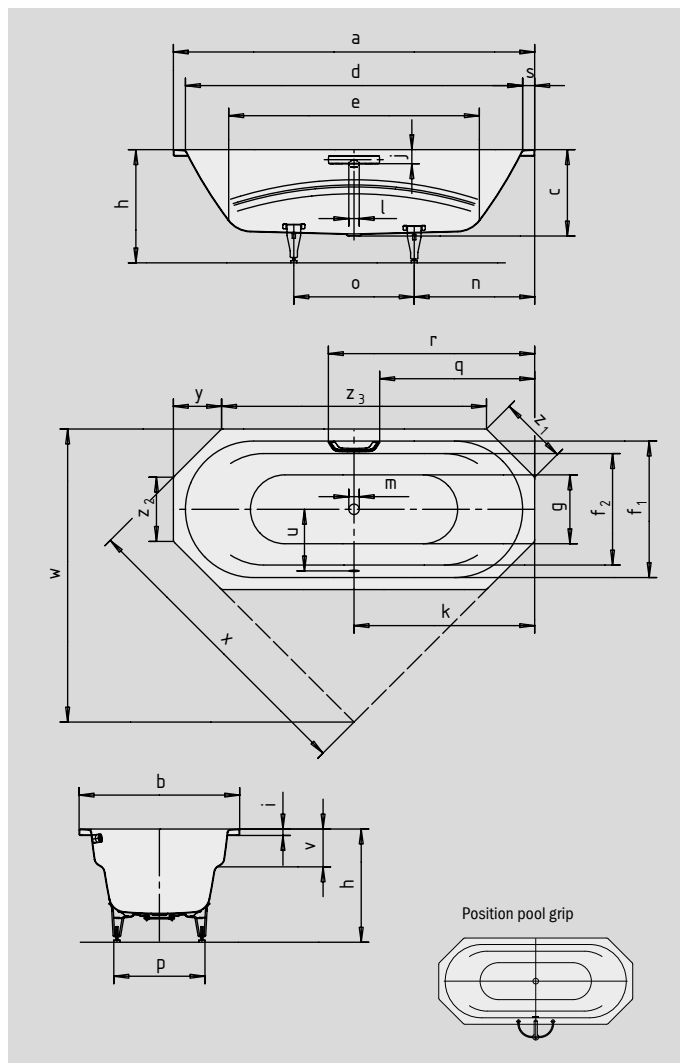
VAIO DUO 8

- bathing with a friend: two identical back rests and centrally positioned waste
- with integrated arm rests
- diverse installation possibilities, also corner installation
- made of KALDEWEI steel enamel



Similar illustration

To order the bath with pre-drilled grip holes on one side, please order model xxxx**1011**xxxx.



Grip DISCREET OPULENCE



Model No.		953
External length	a	1800 mm
External width	b	800 mm
Depth	c	430 mm
Internal length (top)	d	1680 mm
Internal length (bottom)	e	1248 mm
Internal width (top)	f ₁ ; f ₂	680; 555 mm
Internal width (bottom)	g	496 mm
Height with feet	h	550-590 mm
Height of rim	i	32 mm
Distance top edge to centre of overflow hole	j	70 mm
Distance bath edge to centre of drain hole	k	900 mm
Diameter of overflow hole	l	52 mm
Diameter of drain hole	m	52 mm
Distance foot end of bath edge to centre of foot	n	600 mm
Distance between the feet	o	600 mm
Max. width of feet	p	455 mm
Distance bath edge (foot end) to where grip/handle starts	q	772 mm
Distance bath edge (foot end) to where grip/handle ends	r	1028 mm
Width of rim (foot end)	s	60 mm
Distance between centre holes	u	332 mm
Armrest depth	v	180 mm
Installation dimension; Side length; Oblique	w; x; y	1460; 1499; 240 mm
Side length	z ₁ ; z ₂ ; z ₃	340; 320; 1320 mm
Water volume** in litres		155
Weight of the enamelled bath in kg		49
Anti-slip		∅ 435 mm
Full anti-slip		900 x 300 mm

Subject to technical alterations, tolerances and errors. Similar illustration.
 ** 70 litres displacement on average.

KALDEWEI

	Model Order No.	Dimensions cm	Colour price groups				EUR
			I (alpine white)	II	III	IV	
VAIO DUO 8 ALLROUND leg set Mod. 5030 is mandatory	953 2333 0001 xxxx	180 x 80 x 43					
ACCESSORIES REQUIRED							
Leg set ALLROUND see page 151	5030 5814 7000 0000						
and							
COMFORT-LEVEL extended, chrome see page 148	4002 6877 7051 0000						
OPTIONAL SURFACE FINISHES							
Extra charge for easy-clean finish	xxxxxxx3xxx						
Anti-slip Anti-slip enamel							
Full anti-slip Full anti-slip enamel							
Please take into account when ordering anti-slip and full anti-slip finish the configuration of the KALDEWEI item number (see page 353). More information can be found on page 168 - 169.							
OPTIONAL ACCESSORIES							
Grip DISCREET OPULENCE Type A (1 grip), see page 161	chrome	5906 7000 0999					
SOUND WAVE see page 171	6800 5845 7600 0000						
COMFORT SELECT Type A Electronic controls with operating panel, chrome for more information see page 154	4500 6897 2008 0999						
and							
COMFORT SELECT out and overflow fitting Standard without filling function. Further information and also shower hose options s. p. 158 - 159.	4501 6897 2009 0999						
COMFORT SELECT out and overflow fitting Standard with integrated filling function. The 4502 fitting requires a non return valve. This is not included. Further information and also shower hose options s. p. 158 - 159.	4502 6897 2000 x0999						
Baths incl. wellness-system with easy-clean finish. Pre-assembled in factory. Parts supplied: bath, wellness technology, waste and overflow fittings, leg set. Special equipment whirl systems see page 180. MULTIVERSO panelling system for wellness baths see page 182 - 183. The whirl system order form is available at www.kaldewei.com							
VIVO TURBO 6 side jets also compatible with COMFORT SELECT	953	180 x 80 x 43					
VIVO TURBO PLUS 6 side jets also compatible with COMFORT SELECT	953	180 x 80 x 43					
VIVO VITA 10 floor jets	953	180 x 80 x 43					

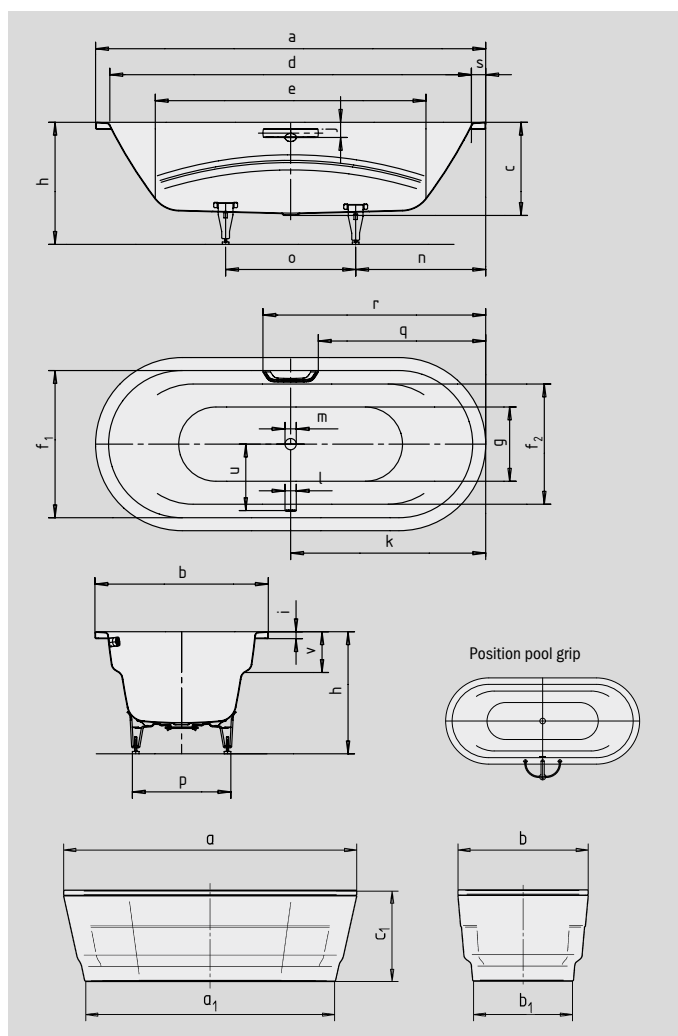
VAIO DUO OVAL VAIO DUO OVAL WITH MOULDED PANEL

- bathing with a friend: two identical back rests and centrally positioned waste
- with integrated arm rests
- made of KALDEWEI steel enamel
- the moulded panel emphasises the high design standard and enables the bath to be free-standing



Similar illustration

To order the bath with pre-drilled grip holes on one side, please order model xxx1011xxx.



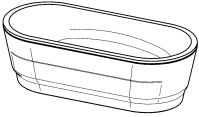
Grip DISCREET OPULENCE



Model No.		951	951-7
External length	a	1800	1800 mm
External width	b	800	800 mm
Depth	c	430	430 mm
External length (bottom)	a ₁	-	1530 mm
External width (bottom)	b ₁	-	608 mm
Overall height with panel	c ₁	-	560 mm
Internal length (top)	d	1680	1680 mm
Internal length (bottom)	e	1248	1248 mm
Internal width (top)	f ₁ , f ₂	680; 555	680; 555 mm
Internal width (bottom)	g	496	496 mm
Height with feet	h	550-590	550-590 mm
Height of rim	i	32	32 mm
Distance top edge to centre of overflow hole	j	70	70 mm
Distance bath edge to centre of drain hole	k	900	900 mm
Diameter of overflow hole	l	52	52 mm
Diameter of drain hole	m	52	52 mm
Distance foot end of bath edge to centre of foot	n	600	600 mm
Distance between the feet	o	600	600 mm
Max. width of feet	p	455	455 mm
Distance bath edge (foot end) to where grip/handle starts	q	772	772 mm
Distance bath edge (foot end) to where grip/handle ends	r	1028	1028 mm
Width of rim (foot end; lengthwise)	s	60	60 mm
Distance between centre holes	u	332	332 mm
Armrest depth	v	180	180 mm
Water volume** in litres		155	155
Weight of the enamelled bath in kg		51	79
Anti-slip		∅ 435	∅ 435 mm
Full anti-slip		900 x 300	900 x 300 mm

Subject to technical alterations, tolerances and errors. Similar illustration.
** 70 litres displacement on average.

KALDEWEI

	Model Order No.	Dimensions cm	Colour price groups				EUR
			I (alpine white)	II	III	IV	
VAIO DUO OVAL ALLROUND leg set Mod. 5030 is mandatory	951 2331 0001 xxxx	180 x 80 x 43					
VAIO DUO OVAL with moulded panel** incl. flexible waste hose and ALLROUND leg set Mod. 5030 	951-7** 2331 4805 xxxx	180 x 80 x 43					
** Panel colours: aegean, alpine white, edelweiss, manhattan, natura, pergamon, black, star white (colour code and colour price group see page 170).							
ACCESSORIES REQUIRED							
Leg set ALLROUND for VAIO DUO OVAL see page 151	5030 5814 7000 0000						
and							
COMFORT-LEVEL extended, chrome see page 148	4002 6877 7051 0000						
OPTIONAL SURFACE FINISHES							
Extra charge for easy-clean finish	xxxxxxx3xxx						
Anti-slip Anti-slip enamel							
Full anti-slip Full anti-slip enamel							
Please take into account when ordering anti-slip and full anti-slip finish the configuration of the KALDEWEI item number (see page 353). More information can be found on page 168 - 169.							
OPTIONAL ACCESSORIES							
Grip DISCREET OPULENCE Type A (1 grip), see page 161	chrome	5906 7000 0999					
SOUND WAVE see page 171	6800 5845 7600 0000						
COMFORT SELECT Type A (Mod. 951) Electronic controls with operating panel, chrome for more information see page 154	4500 6897 2008 0999						
COMFORT SELECT Type B (Mod. 951-7), for free-standing installation Electronic controls with operating panel, chrome for more information see page 154	4511 6897 2011 0999						
and							
COMFORT SELECT out and overflow fitting Standard without filling function. Further information and also shower hose options s. p. 158 - 159.	4501 6897 2009 0999						
COMFORT SELECT out and overflow fitting Standard with integrated filling function. The 4502 fitting requires a non return valve. This is not included. Further information and also shower hose options s. p. 158 - 159.	4502 6897 2000 x0999						
Baths incl. wellness-system with easy-clean finish. Pre-assembled in factory. Parts supplied: bath, wellness technology, waste and overflow fittings, leg set. Special equipment whirl systems see page 180. MULTIVERSO panelling system for wellness baths see page 182 - 183. The whirl system order form is available at www.kaldewei.com							
VIVO TURBO 6 side jets also compatible with COMFORT SELECT	951	180 x 80 x 43					
VIVO TURBO PLUS 6 side jets also compatible with COMFORT SELECT	951	180 x 80 x 43					
VIVO VITA 10 floor jets with additional panel	951 951-7	180 x 80 x 43 180 x 80 x 43					

VAIO SET

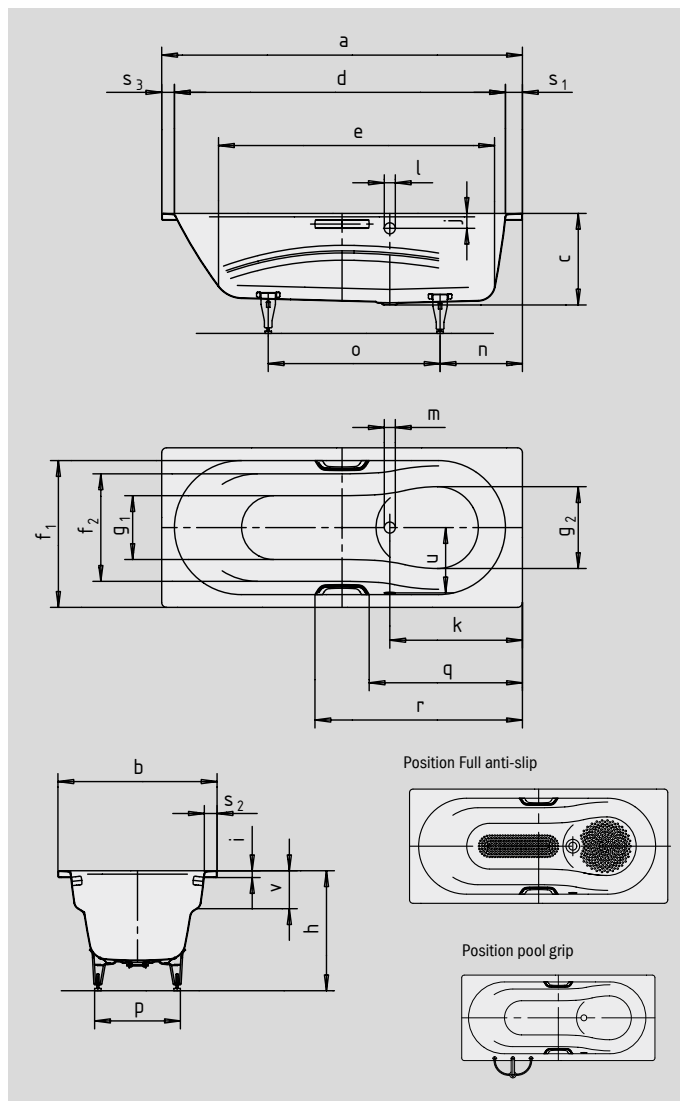
VAIO SET STAR

- one-seater bath with side overflow and integrated arm rests
- combi-bath suitable for bathing and showering
- made of KALDEWEI steel enamel
- also available with grips



Similar illustration

To order the bath with opposite overflow, please order model xxxx**2300**xxxx.



Grip DISCREET OPULENCE



Model No.		956/957	944/945	954/955	946/947
External length	a	1600	1700	1700	1800 mm
External width	b	700	700	750	800 mm
Depth	c	430	430	430	430 mm
Internal length (top)	d	1460	1460	1560	1560 mm
Internal length (bottom)	e	1200	1200	1300	1300 mm
Internal width (top)	f ₁ ; f ₂	580; 470	580; 470	630; 505	630; 505 mm
Internal width (bottom)	g ₁ ; g ₂	420; 475	420; 475	450; 525	450; 525 mm
Height with feet	h	560-580	567-590	560-580	560-580 mm
Height of rim	i	32	32	32	32 mm
Distance top edge to centre of overflow hole	j	70	70	70	70 mm
Distance bath edge to centre of drain hole	k	575	625	625	675 mm
Diameter of overflow hole	l	52	52	52	52 mm
Diameter of drain hole	m	52	52	52	52 mm
Distance foot end of bath edge to centre of foot	n	435	485	435	485 mm
Distance between the feet	o	625	625	725	725 mm
Max. width of feet	p	425	430	488	485 mm
Distance bath edge (foot end) to where grip/handle starts (Mod. 945/947/955/957)	q	672	722	722	772 mm
Distance bath edge (foot end) to where grip/handle ends (Mod. 945/947/955/957)	r	928	978	978	1028 mm
Width of rim (foot end; lengthwise)	s ₁ ; s ₂ ; s ₃	80; 60; 60	130; 60; 110	80; 60; 60	130; 85; 110 mm
Distance between centre holes	u	280	280	310	310 mm
Armrest depth	v	175	175	175	175 mm
Water volume** in litres		100	100	135	135
Weight of the enamelled bath in kg		46	47	50	55
Anti-slip		Ø 288	Ø 288	Ø 288	Ø 288 mm
Full anti-slip		Sondermaß siehe Zeichnung	Sondermaß siehe Zeichnung	Sondermaß siehe Zeichnung	Sondermaß siehe Zeichnung

Note: The operational system may protrude on some whirl systems.
Please refer to the Technical Information for Whirl Systems for further information.
Subject to technical alterations, tolerances and errors. Similar illustration.
** 70 litres displacement on average.

	Model Order No.	Dimensions cm	Colour price groups				EUR
			I (alpine white)	II	III	IV	
VAIO SET ALLROUND leg set Mod. 5030 is mandatory	956 2336 0001 xxxx 944 2344 0001 xxxx 954 2334 0001 xxxx 946 2346 0001 xxxx	160 x 70 x 43 170 x 70 x 43 170 x 75 x 43 180 x 80 x 43					
VAIO SET STAR* ALLROUND leg set Mod. 5030 is mandatory	957* 2337 0001 xxxx 945* 2345 0001 xxxx 955* 2335 0001 xxxx 947* 2347 0001 xxxx	160 x 70 x 43 170 x 70 x 43 170 x 75 x 43 180 x 80 x 43					
* for mounting grips, grips subject to surcharge							
Design with opposite overflow available without extra charge	xxxx 2300 xxxx						
ACCESSORIES REQUIRED							
Leg set ALLROUND see page 151	5030 5814 7000 0000						
and							
COMFORT-LEVEL extended, chrome see page 148	4002 6877 7051 0000						
OPTIONAL SURFACE FINISHES							
Extra charge for easy-clean finish	xxxx xxxx3 xxxx						
Anti-slip Anti-slip enamel							
Full anti-slip Full anti-slip enamel							
Please take into account when ordering anti-slip and full anti-slip finish the configuration of the KALDEWEI item number (see page 353). More information can be found on page 168 - 169.							
OPTIONAL ACCESSORIES							
Grip DISCREET OPULENCE Type B (2 grips), see page 161	chrome	5907 7000 0999					
SOUND WAVE see page 171	6800 5845 7600 0000						
COMFORT SELECT Type A Electronic controls with operating panel, chrome for more information see page 154	4500 6897 2008 0999						
and							
COMFORT SELECT out and overflow fitting Standard without filling function. Further information and also shower hose options s. p. 158 - 159.	4501 6897 2009 0999						
COMFORT SELECT out and overflow fitting Standard with integrated filling function. The 4502 fitting requires a non return valve. This is not included. Further information and also shower hose options s. p. 158 - 159.	4502 6897 2000 x0999						
Baths incl. wellness-system with easy-clean finish. Pre-assembled in factory. Parts supplied: bath, wellness technology, waste and overflow fittings, leg set. Special equipment whirl systems see page 180. MULTIVERSO panelling system for wellness baths see page 182 - 183. The whirl system order form is available at www.kaldewei.com							
VIVO TURBO 6 side jets also compatible with COMFORT SELECT	956/957 944/945 954/955 946/947	160 x 70 x 43 170 x 70 x 43 170 x 75 x 43 180 x 80 x 43					
VIVO TURBO PLUS 6 side jets also compatible with COMFORT SELECT	956/957 944/945 954/955 946/947	160 x 70 x 43 170 x 70 x 43 170 x 75 x 43 180 x 80 x 43					

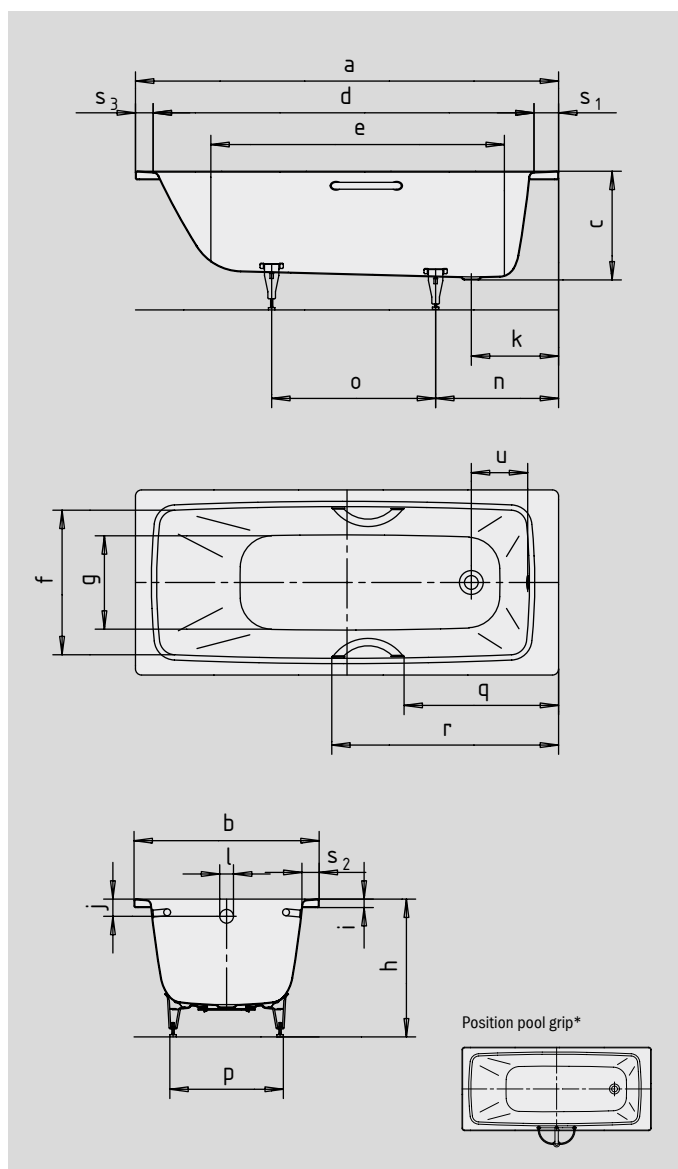
CAYONO

CAYONO STAR

- one-seater bath with waste at foot end
- modern rectangular bathtub with spacious interior of the tub
- made of KALDEWEI steel enamel
- also available with grips
- independent Anti-slip design




Similar illustration



Model No.		747/753	748/754	749/755	750/756	751/757
External length	a	1500	1600	1700	1700	1800 mm
External width	b	700	700	700	750	800 mm
Depth	c	410	410	410	410	410 mm
Internal length (top)	d	1310	1410	1510	1510	1610 mm
Internal length (bottom)	e	1010	1110	1210	1210	1310 mm
Internal width (top)	f	570	570	570	610	660 mm
Internal width (bottom)	g	400	400	400	450	510 mm
Height with feet	h	535-555	543-563	537-559	538-553	528-543 mm
Height of rim	i	32	32	32	32	32 mm
Distance top edge to centre of overflow hole	j	65	65	65	65	65 mm
Distance bath edge to centre of drain hole	k	330	330	330	330	330 mm
Diameter of overflow hole	l	52	52	52	52	52 mm
Diameter of drain hole	m	52	52	52	52	52 mm
Distance foot end of bath edge to centre of foot	n	450	450	455	450	450 mm
Distance between the feet	o	560	655	742	745	820 mm
Max. width of feet	p	435	430	440	475	560 mm
Distance bath edge (foot end) to where grip/handle starts	q	534,5	584,5	634,5	634,5	684,5 mm
Distance bath edge (foot end) to where grip/handle ends	r	808,5	858,5	908,5	908,5	958,5 mm
Width of rim (foot end; lengthwise)	s ₁ ; s ₂ ; s ₃	110; 63; 80	110; 63; 80	110; 63; 80	110; 63; 80	110; 63; 80 mm
Distance between centre holes	u	213	213	213	213	213 mm
Water volume** in litres		89	107	110	136	171
Weight of the enamelled bath in kg		42	45	50	50	56
Anti-slip		455 x 315	455 x 315	455 x 315	575 x 375	575 x 375 mm
Full anti-slip		655 x 315	735 x 315	855 x 315	855 x 375	935 x 375 mm

Subject to technical alterations, tolerances and errors. Similar illustration.
 ** 70 litres displacement on average.

KALDEWEI

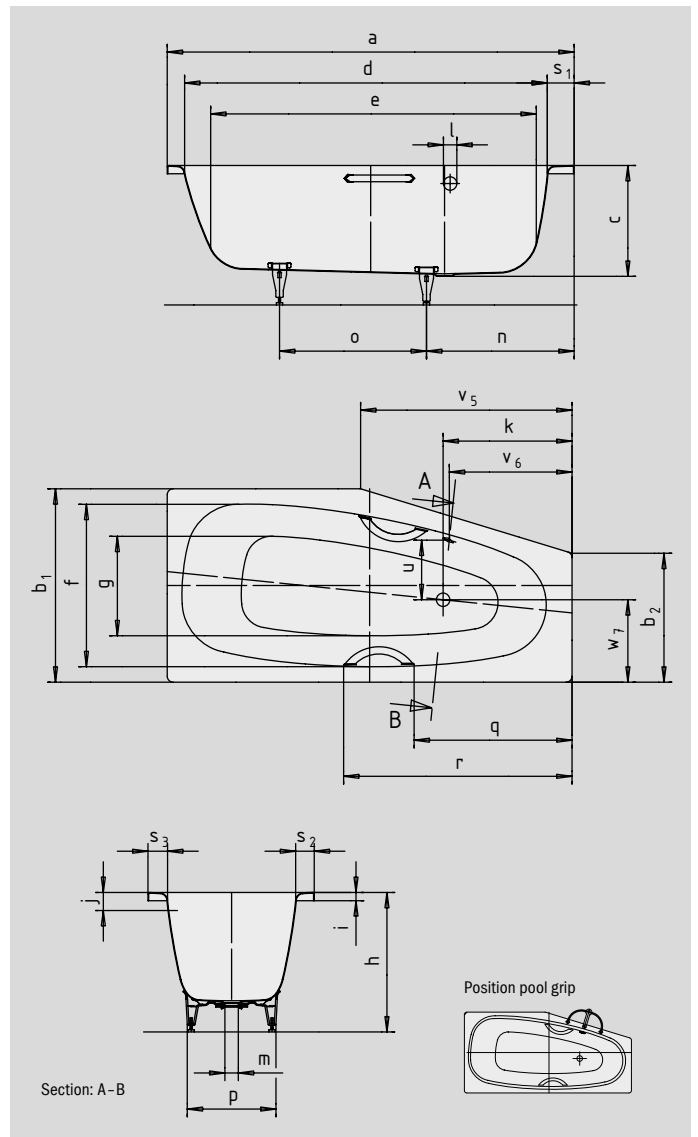
	Model Order No.	Dimensions cm	Colour price groups				EUR
			I (alpine white)	II	III	IV	
CAYONO ALLROUND leg set Mod. 5030 is mandatory	747 27470001xxxx	150 x 70 x 41					
	748 27480001xxxx	160 x 70 x 41					
	749 27490001xxxx	170 x 70 x 41					
	750 27500001xxxx	170 x 75 x 41					
	751 27510001xxxx	180 x 80 x 41					
CAYONO STAR* ALLROUND leg set Mod. 5030 is mandatory	753* 27530001xxxx	150 x 70 x 41					
	754* 27540001xxxx	160 x 70 x 41					
	755* 27550001xxxx	170 x 70 x 41					
	756* 27560001xxxx	170 x 75 x 41					
	757* 27570001xxxx	180 x 80 x 41					
* for mounting grips, grips subject to surcharge							
ACCESSORIES REQUIRED							
Leg set ALLROUND see page 151	5030 581470000000						
Special leg set for CAYONO/CAYONO STAR Mod. 751, 757	5037 583170000000						
and							
COMFORT-LEVEL Standard, chrome	4001 687770500000						
COMFORT-LEVEL PLUS Standard, chrome	4011 687770610000						
OPTIONAL SURFACE FINISHES							
Extra charge for easy-clean finish	xxxxxxx3xxx						
Anti-slip Anti-slip enamel							
Full anti-slip Full anti-slip enamel							
Please take into account when ordering anti-slip and full anti-slip finish the configuration of the KALDEWEI item number (see page 353). More information can be found on page 168 - 169.							
OPTIONAL ACCESSORIES							
Set UNIVERSAL GRIPS Type A 	chrome	587670000999					
	alpine white	587670000001					
	edelweiss	587670000579					
	manhattan	587670000199					
	pergamon	587670000231					
	aranja	587670900994					
	matt chrome	587670800996					
	high-grade-brass	587670700997					
gold	587670200998						
SOUND WAVE see page 171	6800 584576000000						

MINI LEFT MINI STAR LEFT

- special shape is ideal for small bathrooms
- one-seater bath with side overflow
- economic water consumption thanks to its tapering interior contours
- made of KALDEWEI steel enamel
- also available with grips




Similar illustration



Model No.		836 / 837	832 / 833
External length	a	1570	1570 mm
External width	b ₁ ; b ₂	700; 475	750; 500 mm
Depth	c	430	430 mm
Internal length (top)	d	1410	1410 mm
Internal length (bottom)	e	1250	1250 mm
Internal width (top)	f	600	600 mm
Internal width (bottom)	g	360	360 mm
Height with feet	h	550-570	550-570 mm
Height of rim	i	32	32 mm
Distance top edge to centre of overflow hole	j	70	70 mm
Distance bath edge to centre of drain hole	k	500	500 mm
Diameter of overflow hole	l	52	52 mm
Diameter of drain hole	m	52	52 mm
Distance foot end of bath edge to centre of foot	n	570	570 mm
Distance between the feet	o	440	490 mm
Max. width of feet	p	430	430 mm
Distance bath edge (foot end) to where grip/handle starts (Mod. 837/833)	q	611,8	611,8 mm
Distance bath edge (foot end) to where grip/handle ends (Mod. 837/833)	r	885,8	885,8 mm
Width of rim (foot end; lengthwise; at overflow)	s ₁ ; s ₂ ; s ₃	100; 48; 70	100; 60; 70 mm
Distance between centre holes	u	246	246 mm
Distance tub edge (foot end) to overflow hole	v	475	475 mm
Length of narrow side	v ₅	738	820 mm
Drain hole off-centre	w _r	320	320 mm
Water volume** in litres		110	110
Weight of the enamelled bath in kg		45	52
Anti-slip		Ø 288	Ø 288 mm
Full anti-slip		600 x 220	600 x 220 mm

Subject to technical alterations, tolerances and errors. Similar illustration.
** 70 litres displacement on average.

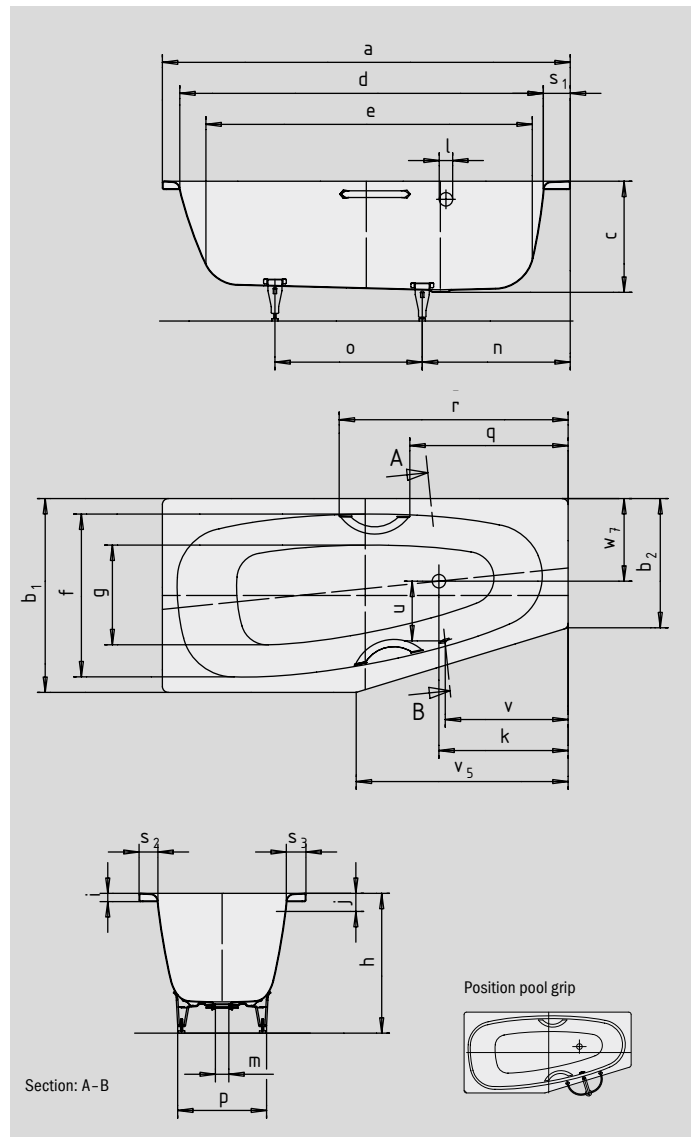
	Model Order No.	Dimensions cm	Colour price groups				EUR
			I (alpine white)	II	III	IV	
MINI left ALLROUND leg set Mod. 5030 is mandatory	836 2252 0001 xxxx 832 2248 0001 xxxx	157 x 70/47,5 x 43 157 x 75/50 x 43					
MINI STAR* left ALLROUND leg set Mod. 5030 is mandatory	837* 2253 0001 xxxx 833* 2249 0001 xxxx	157 x 70/47,5 x 43 157 x 75/50 x 43					
* for mounting grips, grips subject to surcharge							
ACCESSORIES REQUIRED							
Leg set ALLROUND see page 151	5030 5814 7000 0000						
and							
COMFORT-LEVEL extended, chrome see page 148	4002 6877 7051 0000						
COMFORT-LEVEL PLUS extended, chrome see page 148	4012 6877 7062 0000						
OPTIONAL SURFACE FINISHES							
Extra charge for easy-clean finish	xxxxxxx3xxx						
Anti-slip Anti-slip enamel							
Full anti-slip Full anti-slip enamel							
Please take into account when ordering anti-slip and full anti-slip finish the configuration of the KALDEWEI item number (see page 353). More information can be found on page 168 - 169.							
OPTIONAL ACCESSORIES							
Set UNIVERSAL GRIPS Type B 	chrome alpine white edelweiss manhattan pergamon aranja matt chrome high-grade-brass gold	5877 7000 0999 5877 7000 0001 5877 7000 0579 5877 7000 0199 5877 7000 0231 5877 7090 0994 5877 7080 0996 5877 7070 0997 5877 7020 0998					
SOUND WAVE see page 171	6800 5845 7600 0000						

MINI RIGHT MINI STAR RIGHT

- special shape is ideal for small bathrooms
- one-seater bath with side overflow
- economic water consumption thanks to its tapering interior contours
- made of KALDEWEI steel enamel
- also available with grips




Similar illustration



Model No.		834 / 835	830 / 831
External length	a	1570	1570 mm
External width	b; b ₂	700; 475	750; 500 mm
Depth	c	430	430 mm
Internal length (top)	d	1410	1410 mm
Internal length (bottom)	e	1250	1250 mm
Internal width (top)	f	600	600 mm
Internal width (bottom)	g	360	360 mm
Height with feet	h	550-570	550-570 mm
Height of rim	i	32	32 mm
Distance top edge to centre of overflow hole	j	70	70 mm
Distance bath edge to centre of drain hole	k	500	500 mm
Diameter of overflow hole	l	52	52 mm
Diameter of drain hole	m	52	52 mm
Distance foot end of bath edge to centre of foot	n	570	570 mm
Distance between the feet	o	440	490 mm
Max. width of feet	p	430	430 mm
Distance bath edge (foot end) to where grip/handle starts (Mod. 835/831)	q	611,8	611,8 mm
Distance bath edge (foot end) to where grip/handle ends (Mod. 835/831)	r	885,8	885,8 mm
Width of rim (foot end; lengthwise; at overflow)	s ₁ ; s ₂ ; s ₃	100; 48; 70	100; 60; 70 mm
Distance between centre holes	u	246	246 mm
Distance tub edge (foot end) to overflow hole	v	475	475 mm
Length of narrow side	v ₅	738	820 mm
Drain hole off-centre	w _r	320	320 mm
Water volume** in litres		110	110
Weight of the enamelled bath in kg		45	52
Anti-slip		Ø 288	Ø 288 mm
Full anti-slip		600 x 220	600 x 220 mm

Subject to technical alterations, tolerances and errors. Similar illustration.
** 70 litres displacement on average.

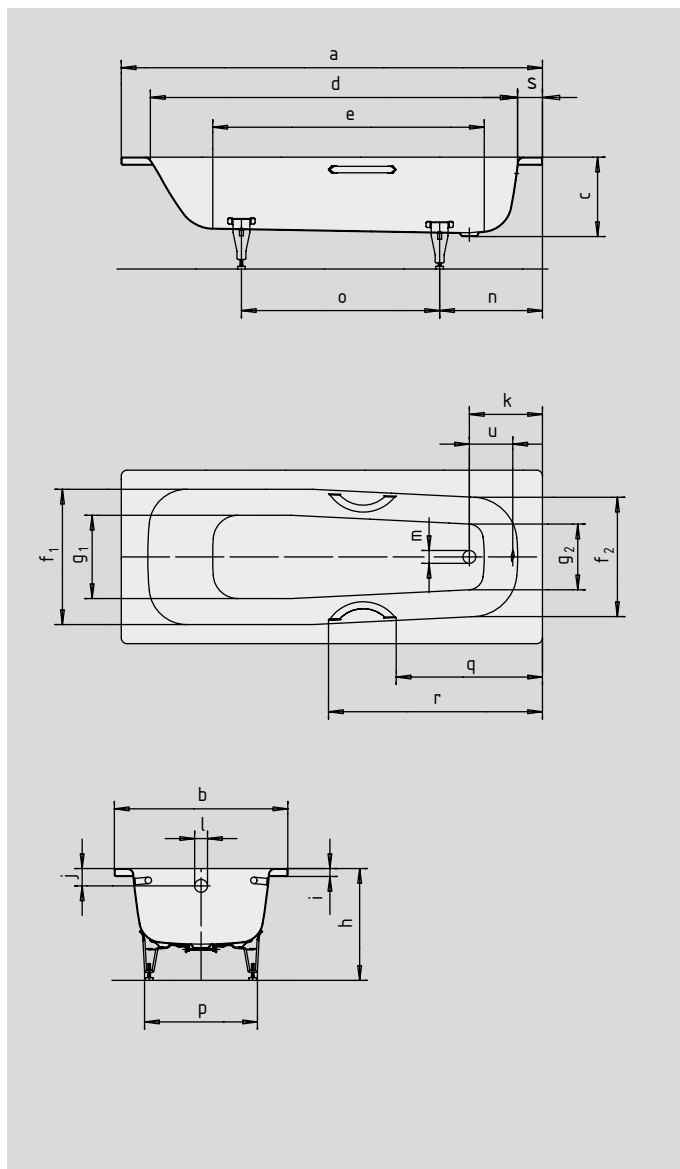
	Model Order No.	Dimensions cm	Colour price groups				EUR
			I (alpine white)	II	III	IV	
MINI right ALLROUND leg set Mod. 5030 is mandatory	834 2244 0001 xxxx	157 x 70/47,5 x 43					
	830 2246 0001 xxxx	157 x 75/50 x 43					
MINI STAR* right ALLROUND leg set Mod. 5030 is mandatory	835* 2245 0001 xxxx	157 x 70/47,5 x 43					
	831* 2247 0001 xxxx	157 x 75/50 x 43					
* for mounting grips, grips subject to surcharge							
ACCESSORIES REQUIRED							
Leg set ALLROUND see page 151	5030 5814 7000 0000						
and							
COMFORT-LEVEL extended, chrome see page 148	4002 6877 7051 0000						
COMFORT-LEVEL PLUS extended, chrome see page 148	4012 6877 7062 0000						
OPTIONAL SURFACE FINISHES							
Extra charge for easy-clean finish	xxxxxxx3xxx						
Anti-slip Anti-slip enamel							
Full anti-slip Full anti-slip enamel							
Please take into account when ordering anti-slip and full anti-slip finish the configuration of the KALDEWEI item number (see page 353). More information can be found on page 168 - 169.							
OPTIONAL ACCESSORIES							
Set UNIVERSAL GRIPS Type B 	chrome alpine white edelweiss manhattan pergamon aranja matt chrome high-grade-brass gold	5877 7000 0999 5877 7000 0001 5877 7000 0579 5877 7000 0199 5877 7000 0231 5877 7090 0994 5877 7080 0996 5877 7070 0997 5877 7020 0998					
SOUND WAVE see page 171	6800 5845 7600 0000						

SANIFORM MEDIUM SANIFORM MEDIUM STAR

- one-seater bath with waste at foot end
- classic four-cornered model
- economic water consumption thanks to its shallow depth
- made of KALDEWEI steel enamel
- also available with grips




Similar illustration



Model No.		245/246
External length	a	1700 mm
External width	b	700 mm
Depth	c	315 mm
Internal length (top)	d	1520 mm
Internal length (bottom)	e	1260 mm
Internal width (top)	f ₁ ; f ₂	560; 500 mm
Internal width (bottom)	g ₁ ; g ₂	460; 400 mm
Height with feet	h	450-470 mm
Height of rim	i	32 mm
Distance top edge to centre of overflow hole	j	70 mm
Distance bath edge to centre of drain hole	k	295 mm
Diameter of overflow hole	l	52 mm
Diameter of drain hole	m	52 mm
Distance foot end of bath edge to centre of foot	n	415 mm
Distance between the feet	o	800 mm
Max. width of feet	p	455 mm
Distance bath edge (foot end) to where grip/handle starts (Mod. 246)	q	643,5 mm
Distance bath edge (foot end) to where grip/handle ends (Mod. 246)	r	908,5 mm
Width of rim (foot end)	s	95 mm
Distance between centre holes	u	200 mm
Water volume** in litres		53
Weight of the enamelled bath in kg		44
Anti-slip		∅ 288 mm
Full anti-slip		850 x 240 mm

Subject to technical alterations, tolerances and errors. Similar illustration.
** 70 litres displacement on average.

KALDEWEI

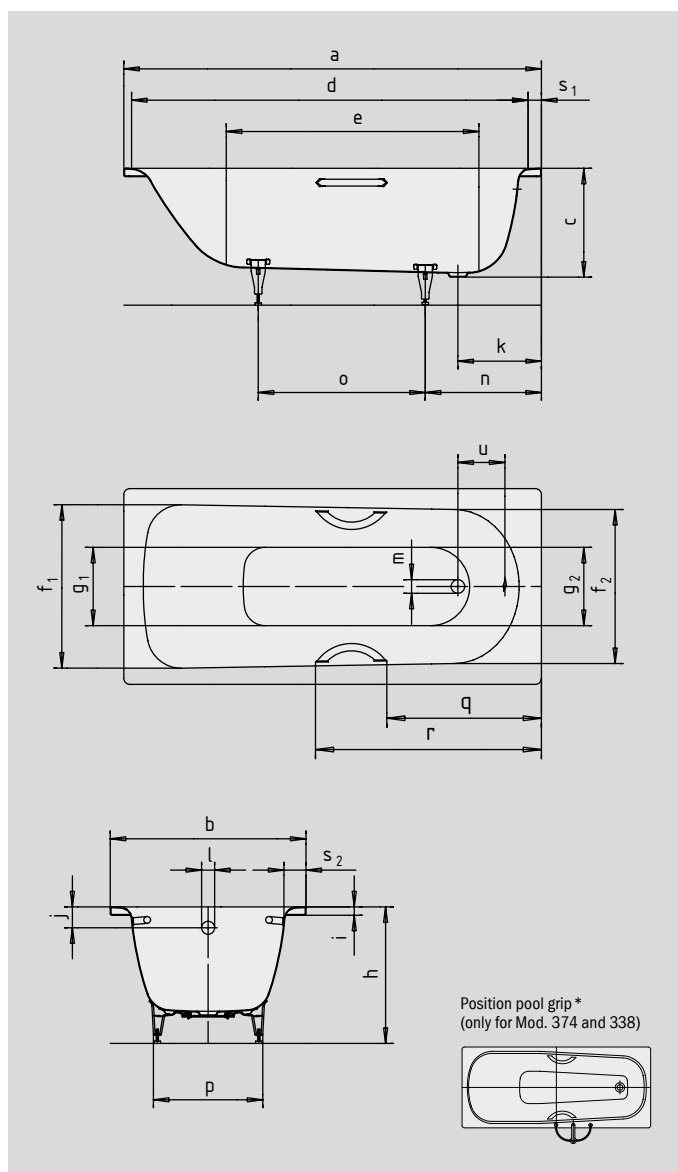
	Model Order No.	Dimensions cm	Colour price groups				EUR
			I (alpine white)	II	III	IV	
SANIFORM MEDIUM ALLROUND leg set Mod. 5030 is mandatory	245 2203 0001 xxxx	170 x 70 x 31,5					
SANIFORM MEDIUM STAR* ALLROUND leg set Mod. 5030 is mandatory	246* 2209 0001 xxxx	170 x 70 x 31,5					
* for mounting grips, grips subject to surcharge							
ACCESSORIES REQUIRED							
Leg set ALLROUND see page 151	5030 5814 7000 0000						
and							
COMFORT-LEVEL Standard, chrome see page 148	4001 6877 7050 0000						
COMFORT-LEVEL PLUS Standard, chrome see page 148	4011 6877 7061 0000						
OPTIONAL SURFACE FINISHES							
Extra charge for easy-clean finish	xxxxxxx3xxx						
Anti-slip Anti-slip enamel							
Full anti-slip Full anti-slip enamel							
Please take into account when ordering anti-slip and full anti-slip finish the configuration of the KALDEWEI item number (see page 353). More information can be found on page 168 - 169.							
OPTIONAL ACCESSORIES							
Set UNIVERSAL GRIPS Type A 	chrome alpine white edelweiss manhattan pergamon aranja matt chrome high-grade-brass gold	5876 7000 0999 5876 7000 0001 5876 7000 0579 5876 7000 0199 5876 7000 0231 5876 7090 0994 5876 7080 0996 5876 7070 0997 5876 7020 0998					
SOUND WAVE see page 171	6800 5845 7600 0000						

SANIFORM PLUS SANIFORM PLUS STAR

- one-seater bath with waste at foot end
- classic four-cornered model
- made of KALDEWEI steel enamel
- also available with grips




Similar illustration



Model No.	360-1/330	361-1/331	362-1/332	363-1/335	371-1/334	372-1/333	373-1/336	374*/338	375-1/337	
External length	a	1400	1500	1600	1700	1700	1600	1700	1800 mm	
External width	b	700	700	700	700	730	750	750	800 mm	
Depth	c	410	410	410	410	410	410	430	430 mm	
Internal length (top)	d	1230	1330	1430	1530	1530	1430	1530	1630 mm	
Internal length (bottom)	e	850	950	1050	1150	1150	1050	1150	1200	1250 mm
Internal width (top)	f ₁ ; f ₂	550; 530	550; 530	550; 530	550; 530	550; 530	600; 580	600; 580	630; 560	675; 640 mm
Internal width (bottom)	g ₁ ; g ₂	390; 350	390; 350	390; 350	390; 350	390; 350	440; 400	440; 400	430; 380	520; 450 mm
Height with feet	h	545-560	545-560	545-560	545-560	545-560	545-560	545-560	565-580	555-560 mm
Height of rim	i	32	32	32	32	32	32	32	32	32 mm
Distance top edge to centre of overflow hole	j	63	63	63	63	63	63	63	70	75 mm
Distance bath edge to centre of drain hole	k	310	320	310	310	310	310	310	285	310 mm
Diameter of overflow hole	l	52	52	52	52	52	52	52	52	52 mm
Diameter of drain hole	m	52	52	52	52	52	52	52	52	52 mm
Distance foot end of bath edge to centre of foot	n	455	445	450	450	450	445	445	450	470 mm
Distance between the feet	o	445	555	600	740	740	640	750	640	830 mm
Max. width of feet	p	380	380	380	380	370	430	430	430	480 mm
Distance bath edge (foot end) to where grip/handle starts	q	484,5	534,5	584,5	634,5	634,5	584,5	634,5	634,5	684,5 mm
Distance bath edge (foot end) to where grip/handle ends	r	758,5	808,5	858,5	908,5	908,5	858,5	908,5	908,5	958,5 mm
Width of rim (foot end; lengthwise)	s ₁ ; s ₂	70; 75	70; 75	70; 75	70; 75	85; 90	70; 75	70; 75	60; 55	70; 75 mm
Distance between centre holes	u	212	222	212	212	212	218	218	221	216 mm
Water volume** in litres		67	82	93	111	111	107	123	145	150
Weight of the enamelled bath in kg		40	40	47	48	49	47	50	55	55
Anti-slip		∅ 288	∅ 288	∅ 288	∅ 288	∅ 288	∅ 288	∅ 288	∅ 288	∅ 288 mm
Full anti-slip		600 x 220	600 x 220	600 x 220	850 x 240	850 x 240	600 x 220	900 x 300	600 x 220	900 x 300 mm

Subject to technical alterations, tolerances and errors. Similar illustration.
** 70 litres displacement on average.

KALDEWEI

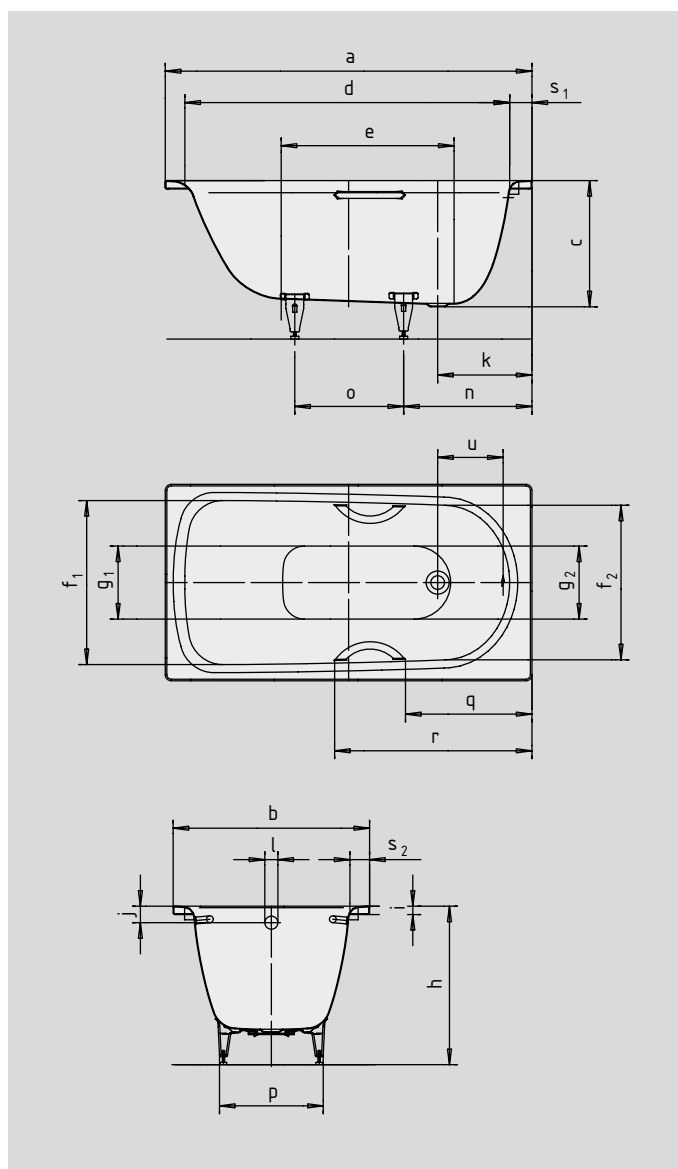
	Model Order No.	Dimensions cm	Colour price groups				EUR
			I (alpine white)	II	III	IV	
SANIFORM PLUS Ergonomic bath ALLROUND leg set Mod. 5030 is mandatory	360-1 11150001xxxx	140 x 70 x 41					
	361-1 11160001xxxx	150 x 70 x 41					
	362-1 11170001xxxx	160 x 70 x 41					
	363-1 11180001xxxx	170 x 70 x 41					
	371-1 11290001xxxx	170 x 73 x 41					
	372-1 11250001xxxx	160 x 75 x 41					
	373-1 11260001xxxx	170 x 75 x 41					
	375-1 11280001xxxx	180 x 80 x 43					
	SANIFORM PLUS STAR* Ergonomic bath ALLROUND leg set Mod. 5030 is mandatory	330* 13300001xxxx	140 x 70 x 41				
		331* 13310001xxxx	150 x 70 x 41				
332* 13320001xxxx		160 x 70 x 41					
335* 13350001xxxx		170 x 70 x 41					
334* 13340001xxxx		170 x 73 x 41					
333* 13330001xxxx		160 x 75 x 41					
336* 13360001xxxx		170 x 75 x 41					
337* 13370001xxxx		180 x 80 x 43					
SANIFORM/SANIFORM STAR* Ergonomic bath ALLROUND leg set Mod. 5030 is mandatory		374 11220001xxxx	175 x 75 x 43				
		338* 13380001xxxx	175 x 75 x 43				
* for mounting grips, grips subject to surcharge							
ACCESSORIES REQUIRED							
Leg set ALLROUND see page 151	5030 581470000000						
and							
COMFORT-LEVEL Standard, chrome see page 148	4001 687770500000						
COMFORT-LEVEL PLUS Standard, chrome see page 148	4011 687770610000						
OPTIONAL SURFACE FINISHES							
Extra charge for easy-clean finish	xxxxxxxx3xxx						
Anti-slip Anti-slip enamel							
Full anti-slip Full anti-slip enamel							
Please take into account when ordering anti-slip and full anti-slip finish the configuration of the KALDEWEI item number (see page 353). More information can be found on page 168 - 169.							
OPTIONAL ACCESSORIES							
Set UNIVERSAL GRIPS Type A 	chrome alpine white edelweiss manhattan pergamon aranja matt chrome high-grade-brass gold	58767000999 58767000001 58767000579 58767000199 58767000231 58767090994 58767080996 58767070997 58767020998					
SOUND WAVE see page 171	6800 584576000000						

SANIFORM PLUS SANIFORM PLUS STAR

- one-seater bath with waste at foot end
- classic four-cornered model
- made of KALDEWEI steel enamel
- also available with grips




Similar illustration



Model No.		366/344	367/345
External length	a	1400	1600 mm
External width	b	750	750 mm
Depth	c	480	480 mm
Internal length (top)	d	1240	1440 mm
Internal length (bottom)	e	645	844 mm
Internal width (top)	f ₁ ; f ₂	620; 590	620; 590 mm
Internal width (bottom)	g ₁ ; g ₂	280; 280	280; 280 mm
Height with feet	h	615-635	615-635 mm
Height of rim	i	32	32 mm
Distance top edge to centre of overflow hole	j	65	65 mm
Distance bath edge to centre of drain hole	k	360	360 mm
Diameter of overflow hole	l	52	52 mm
Diameter of drain hole	m	52	52 mm
Distance foot end of bath edge to centre of foot	n	470	480 mm
Distance between the feet	o	415	605 mm
Max. width of feet	p	430	430 mm
Distance bath edge (foot end) to where grip/handle starts (Mod. 344/345)	q	484,5	584,5 mm
Distance bath edge (foot end) to where grip/handle ends (Mod. 344/345)	r	758,5	858,5 mm
Width of rim (foot end; lengthwise)	s ₁ ; s ₂	80; 85	80; 85 mm
Distance between centre holes	u	268	267 mm
Water volume** in litres		110	140
Weight of the enamelled bath in kg		42	49
Anti-slip		∅ 288	∅ 288 mm
Full anti-slip		600 x 220	600 x 220 mm

Subject to technical alterations, tolerances and errors. Similar illustration.
** 70 litres displacement on average.

KALDEWEI

	Model Order No.	Dimensions cm	Colour price groups				EUR
			I (alpine white)	II	III	IV	
SANIFORM PLUS ALLROUND leg set Mod. 5030 is mandatory	366 11370001xxxx	140 x 75 x 48					
	367 11380001xxxx	160 x 75 x 48					
SANIFORM PLUS STAR* ALLROUND leg set Mod. 5030 is mandatory	344* 13440001xxxx	140 x 75 x 48					
	345* 13450001xxxx	160 x 75 x 48					
* for mounting grips, grips subject to surcharge							
ACCESSORIES REQUIRED							
Leg set ALLROUND see page 151	5030 581470000000						
and							
COMFORT-LEVEL extended, chrome see page 148	4002 687770510000						
COMFORT-LEVEL PLUS extended, chrome see page 148	4012 687770620000						
OPTIONAL SURFACE FINISHES							
Extra charge for easy-clean finish	xxxxxxx3xxx						
Anti-slip Anti-slip enamel							
Full anti-slip Full anti-slip enamel							
Please take into account when ordering anti-slip and full anti-slip finish the configuration of the KALDEWEI item number (see page 353). More information can be found on page 168 - 169.							
OPTIONAL ACCESSORIES							
Set UNIVERSAL GRIPS Type A 	chrome alpine white edelweiss manhattan pergamon aranja matt chrome high-grade-brass gold	58767000999 58767000001 58767000579 58767000199 58767000231 58767090994 58767080996 58767070997 58767020998					
SOUND WAVE see page 171	6800 584576000000						

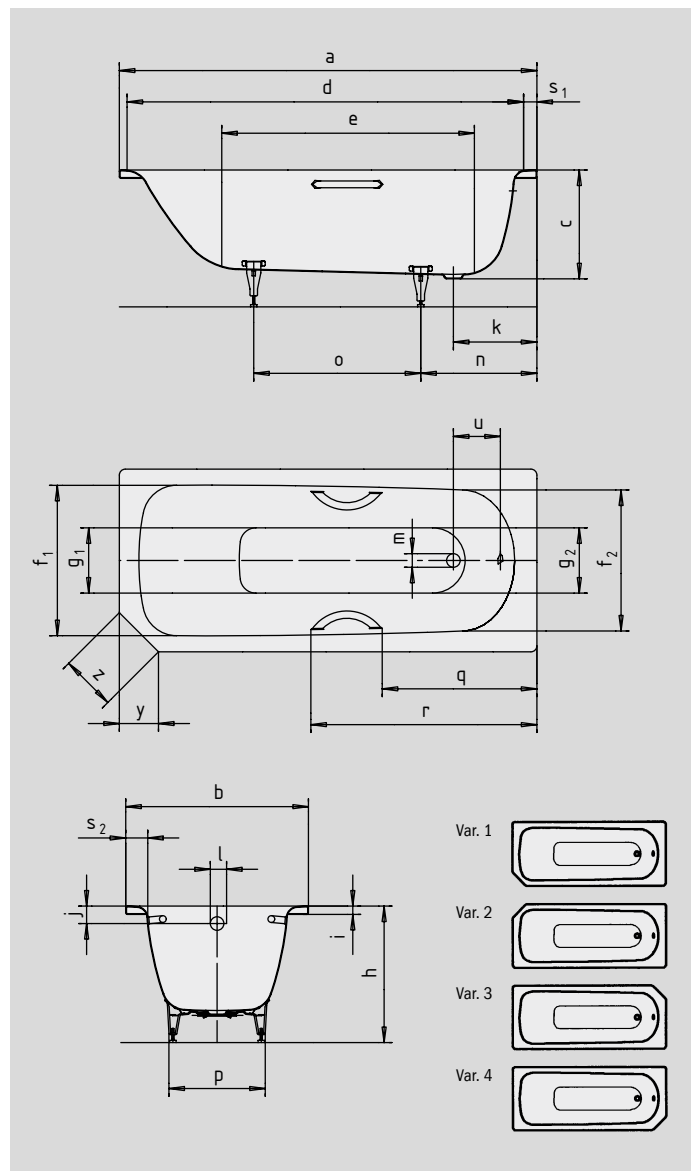
SANIFORM V1-V4

SANIFORM V1-V4 STAR

- optimum space utilisation in small bathrooms because corner is absent
- one-seater bath with waste at foot end
- classic four-cornered model
- made of KALDEWEI steel enamel
- also available with grips



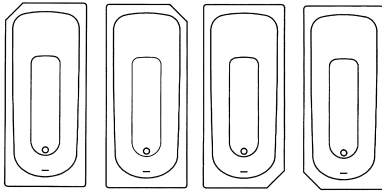
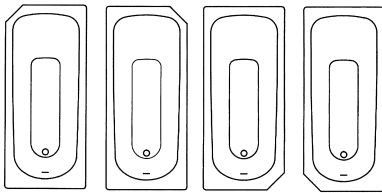

Similar illustration



Model No.		362-1/332
External length	a	1600 mm
External width	b	700 mm
Depth	c	410 mm
Internal length (top)	d	1430 mm
Internal length (bottom)	e	1050 mm
Internal width (top)	f ₁ ; f ₂	550; 530 mm
Internal width (bottom)	g ₁ ; g ₂	390; 350 mm
Height with feet	h	545-560 mm
Height of rim	i	32 mm
Distance top edge to centre of overflow hole	j	63 mm
Distance bath edge to centre of drain hole	k	310 mm
Diameter of overflow hole	l	52 mm
Diameter of drain hole	m	52 mm
Distance foot end of bath edge to centre of foot	n	452.5 mm
Distance between the feet	o	600 mm
Max. width of feet	p	380 mm
Distance bath edge (foot end) to where grip/handle starts (Mod. 332)	q	584.5 mm
Distance bath edge (foot end) to where grip/handle ends (Mod. 332)	r	858.5 mm
Width of rim (foot end; lengthwise)	s ₁ ; s ₂	70; 75 mm
Distance between centre holes	u	212 mm
Oblique	y	150 mm
Side length	z ₁	212 mm
Water volume** in litres		93
Weight of the enamelled bath in kg		46
Anti-slip		∅ 288 mm
Full anti-slip		600 x 220 mm

Subject to technical alterations, tolerances and errors. Similar illustration.
 ** 70 litres displacement on average.

KALDEWEI

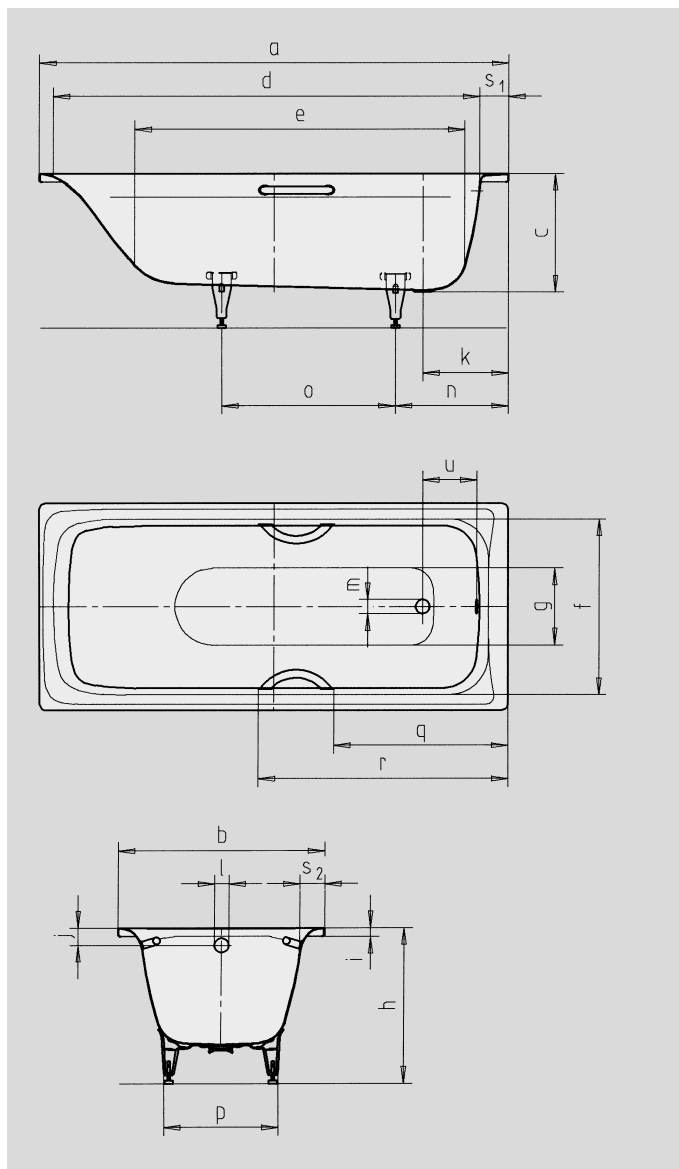
	Model Order No.	Dimensions cm	Colour price groups				EUR
			I (alpine white)	II	III	IV	
SANIFORM V1-V4 ALLROUND leg set Mod. 5030 is mandatory Var. 1 Var. 2 Var. 3 Var. 4 	362-1 Var.1 1921 0001 xxxx 362-1 Var.2 1922 0001 xxxx 362-1 Var.3 1923 0001 xxxx 362-1 Var.4 1924 0001 xxxx	160 x 70 x 41 160 x 70 x 41 160 x 70 x 41 160 x 70 x 41					
SANIFORM V1-V4 STAR* ALLROUND leg set Mod. 5030 is mandatory Var. 1 Var. 2 Var. 3 Var. 4 	332* Var.1 1340 0001 xxxx 332* Var.2 1341 0001 xxxx 332* Var.3 1342 0001 xxxx 332* Var.4 1343 0001 xxxx	160 x 70 x 41 160 x 70 x 41 160 x 70 x 41 160 x 70 x 41					
* for mounting grips, grips subject to surcharge							
ACCESSORIES REQUIRED							
Leg set ALLROUND see page 151	5030 5814 7000 0000						
and							
COMFORT-LEVEL Standard, chrome see page 148	4001 6877 7050 0000						
COMFORT-LEVEL PLUS Standard, chrome see page 148	4011 6877 7061 0000						
OPTIONAL SURFACE FINISHES							
Extra charge for easy-clean finish	xxxxxxx3xxx						
Anti-slip Anti-slip enamel							
Full anti-slip Full anti-slip enamel							
Please take into account when ordering anti-slip and full anti-slip finish the configuration of the KALDEWEI Item number (see page 353). More information can be found on page 168 - 169.							
OPTIONAL ACCESSORIES							
Set UNIVERSAL GRIPS Type A 	chrome alpine white edelweiss manhattan pergamon aranja matt chrome high-grade-brass gold	5876 7000 0999 5876 7000 0001 5876 7000 0579 5876 7000 0199 5876 7000 0231 5876 7090 0994 5876 7080 0996 5876 7070 0997 5876 7020 0998					
SOUND WAVE see page 171	6800 5845 7600 0000						

SANILUX SANILUX STAR

- especially comfortable thanks to rounded area for neck
- one-seater bath with waste at foot end
- classic four-cornered model
- made of KALDEWEI steel enamel
- also available with grips




Similar illustration



Model No.		342 / 343
External length	a	1700 mm
External width	b	750 mm
Depth	c	430 mm
Internal length (top)	d	1545 mm
Internal length (bottom)	e	1150 mm
Internal width (top)	f	585 mm
Internal width (bottom)	g	328 mm
Height with feet	h	535-555 mm
Height of rim	i	32 mm
Distance top edge to centre of overflow hole	j	63 mm
Distance bath edge to centre of drain hole	k	310 mm
Diameter of overflow hole	l	52 mm
Diameter of drain hole	m	52 mm
Distance foot end of bath edge to centre of foot	n	410 mm
Distance between the feet	o	630 mm
Max. width of feet	p	430 mm
Distance bath edge (foot end) to where grip/handle starts (Mod. 343)	q	632 mm
Distance bath edge (foot end) to where grip/handle ends (Mod. 343)	r	905 mm
Width of rim (foot end; lengthwise)	S ₁ ; S ₂	100; 58 mm
Distance between centre holes	u	200 mm
Water volume** in litres		124
Weight of the enamelled bath in kg		49
Anti-slip		∅ 288 mm
Full anti-slip		600 x 220 mm

Subject to technical alterations, tolerances and errors. Similar illustration.
** 70 litres displacement on average.

KALDEWEI

	Model Order No.	Dimensions cm	Colour price groups				EUR
			I (alpine white)	II	III	IV	
SANILUX ALLROUND leg set Mod. 5030 is mandatory	342 1132 0001 xxxx	170 x 75 x 43					
SANILUX STAR* ALLROUND leg set Mod. 5030 is mandatory	343* 1133 0001 xxxx	170 x 75 x 43					
* for mounting grips, grips subject to surcharge							
ACCESSORIES REQUIRED							
Leg set ALLROUND see page 151	5030 5814 7000 0000						
and							
COMFORT-LEVEL Standard, chrome see page 148	4001 6877 7050 0000						
COMFORT-LEVEL PLUS Standard, chrome see page 148	4011 6877 7061 0000						
OPTIONAL SURFACE FINISHES							
Extra charge for easy-clean finish	xxxxxxx3xxx						
Anti-slip Anti-slip enamel							
Full anti-slip Full anti-slip enamel							
Please take into account when ordering anti-slip and full anti-slip finish the configuration of the KALDEWEI item number (see page 353). More information can be found on page 168 - 169.							
OPTIONAL ACCESSORIES							
Set UNIVERSAL GRIPS Type A 	chrome alpine white edelweiss manhattan pergamon aranja matt chrome high-grade-brass gold	5876 7000 0999 5876 7000 0001 5876 7000 0579 5876 7000 0199 5876 7000 0231 5876 7090 0994 5876 7080 0996 5876 7070 0997 5876 7020 0998					
SOUND WAVE see page 171	6800 5845 7600 0000						

WATER INLET AND WASTE SYSTEMS

WATERFALL BATH INLET

- a special bathing experience thanks to unique water inlet
- undisturbed bathing enjoyment thanks to completely integrated solution
- opens when the water is turned on and creates a steady waterfall effect
- fulfils the highest design standards
- inlet 1/2" pipe connection

CAUTION! Special bath design required. For mounting of waterfall bath inlet, a special bath hole is to be provided, which is included into the accessory price. The waterfall bath inlet is to be ordered with the corresponding bath in one step.

Please notice the positioning of the waterfall inlet. Further information can be found on our website www.kaldewei.com



Model	Model no.
ASYMMETRIC DUO	740, 742, 744
BASSINO	144
CENTRO DUO OVAL	127, 128
CENTRO DUO 2	131, 135
CENTRO DUO 1 right/left	130/129, 137/136
CENTRO DUO	132, 133
CENTRO DUO 6	134
CLASSIC DUO OVAL	111, 112, 113, 116
CLASSIC DUO	103, 105, 107, 109, 110, 114
CLASSIC DUO OVAL WIDE	115
CONODUO	732, 733, 733-7, 734, 734-7, 735, 735-7
DUO POOL	150
PLAZA DUO right/PLAZA DUO left	190, 192
PURO	652, 653, 683, 687, 691, 696
PURO STAR	654, 655, 685, 689, 693, 698
PURO with side overflow	656, 657, 684, 688, 692, 697
PURO STAR with side overflow	658, 659, 686, 690, 694, 699
PURO DUO	663, 664, 665
RONDO/RONDO STAR	700/701, 710/711
RONDO 6/RONDO 6 STAR	706/707, 716/717

The waterfall bath inlet can be combined with all whirlpool systems if they are supplied in combination with the above-named models. The waterfall bath inlet serves only to fill the bath with water. A waste and overflow set is also required.

Waterfall bath inlet incl. indentation and special hole	Model Order No.	EUR
alpine white	5875 587570900001	
pergamon	5875 587570900231	
manhattan	5875 587570900199	

* For waterfall bath inlet with integrated overflow, a non-return valve is required. This is not included into the scope of delivery.

WATER INLET AND WASTE SYSTEMS

WATERFALL BATH INLET WITH INTEGRATED OVERFLOW

- a special bathing experience thanks to unique water inlet
- undisturbed bathing enjoyment thanks to completely integrated solution
- opens when the water is turned on and creates a steady waterfall effect
- overflow is almost "invisible"
- fulfils the highest design standards
- inlet 1/2" pipe connection
- bath waste with click-clack system (push-up valve plug)
- open and close by simply pressing on the valve plug
- Min. drainage capacity of 0.8 l/s acc. to DIN EN 274

CAUTION! Special bath design required. For mounting of waterfall bath inlet with integrated overflow, a special bath hole it to be provided, which is already included into the accessory price. Waterfall bath inlet with integrated overflow has to be ordered with the corresponding bath in one step.

Please notice the positioning of the waterfall inlet. Further information can be found on our website www.kaldewei.com



Click-clack waste open



Click-clack waste closed

Model	Model no.
CLASSIC DUO	103, 105, 107, 109, 110, 114
CLASSIC DUO OVAL	112, 113, 111, 116
CLASSIC DUO OVAL WIDE	115, 115-7
DUO POOL	150
PLAZA DUO left	192
PLAZA DUO right	190
PURO with side overflow	656, 657, 684, 688, 692, 697
PURO STAR with side overflow	658, 659, 686, 690, 694, 699
PURO DUO	663, 664, 665
RONDO/STAR	700/701, 710/711
RONDO 6/STAR	706/707, 716/717

Waterfall bath inlet with integrated overflow can be combined with VIVO TURBO/VIVO TURBO PLUS whirlpool system as far as it is available in combination with the above models.

Waterfall bath inlet with integrated overflow and click-clack waste incl. intake and special holes	Model Order No.	EUR
alpine white	5975 587570920001	
pergamon	5975 587570920231	
manhattan	5975 587570920199	

* For waterfall bath inlet with integrated overflow, a non-return valve is required. This is not included into the scope of delivery.

WATER INLET AND WASTE SYSTEMS

COMFORT-LEVEL / COMFORT-LEVEL PLUS

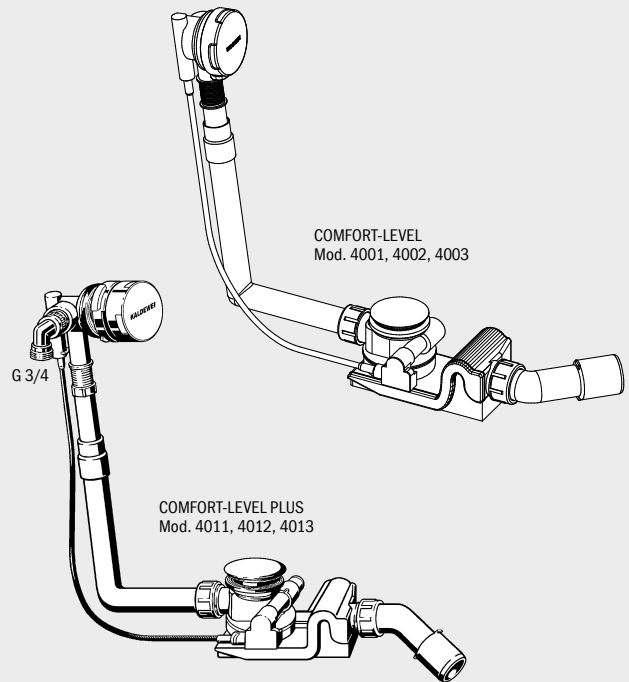
- continuously adjustable
- water level can be increased by up to 50 mm for greater bathing comfort
- integrated filling function as optional extra
- available for nearly all KALDEWEI baths
- complete with fitting
- not suitable for whirl baths
- **only suitable for KALDEWEI baths**
- Min. drainage capacity of 0.8 l/s acc. to DIN EN 274 (water capacity at X bar = x litres)



COMFORT-LEVEL



COMFORT-LEVEL PLUS



COMFORT-LEVEL waste and overflow fitting	Model Order No.	chrome				EUR
Standard	4001 687770500000					
extended	4002 687770510000					
Special	4003 687770650000					
	Model Order No.	Colour price groups				EUR
for CONODUO with enamelled waste cover and chrome overflow knob	4004 68777067xxxx	I (alpine white)	II	III	IV	
for ASYMMETRIC DUO with enamelled waste cover and chrome overflow knob	4006 68971054xxxx					
for CENTRO DUO and ELLIPSO DUO with enamelled waste cover and chrome overflow knob	4007 68767003xxxx					
COMFORT-LEVEL PLUS waste and overflow fitting with integrated filler	Model Order No.	chrome				EUR
Standard*	4011 687770610000					
extended*	4012** 687770620000					
Special*	4013 687770660000					
	Model Order No.	Colour price groups				EUR
for CONODUO* with enamelled waste cover and chrome overflow knob	4014 68777068xxxx	I (alpine white)	II	III	IV	
for ASYMMETRIC DUO* with enamelled waste cover and chrome overflow knob	4016 68971055xxxx					
for CENTRO DUO* and ELLIPSO DUO* with enamelled waste cover and chrome overflow knob	4017 68767004xxxx					

*The COMFORT-LEVEL PLUS requires a non return valve; this is not included.

Designs 4001 and 4011 (standard) can be used with the CAYONO/CAYONO STAR, DYNA SET/DYNA SET STAR, PURO/PURO STAR, SANILUX/SANILUX STAR, SANIFORM families (except design 366/344, 367/345).

Designs 4002 and 4012 (extended) can be used with the CLASSIC DUO, DUO POOL, MINI/MINI STAR, PURO with side overflow/PURO STAR with side overflow, PURO DUO, SANIFORM PLUS (Models 366/344, 367/345), STUDIO/STUDIO STAR, VAIO family**, TWIN POOL and the MEGA DUO, NOVOLA** and RONDO families.

** Model 4012 cannot be used for NOVOLA DUO models with grips. and the VAIO families.

Designs 4003 and 4013 (Special) can be used with the ELLIPSO DUO, PLAZA DUO, PUNTA DUO 3.

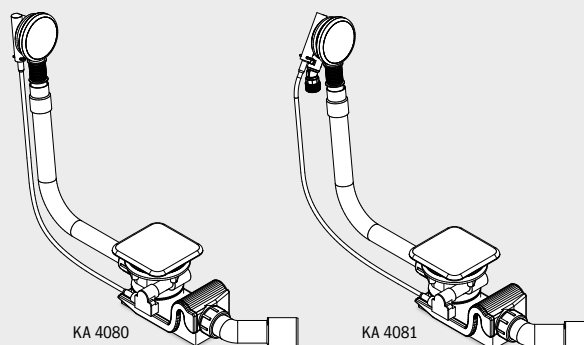
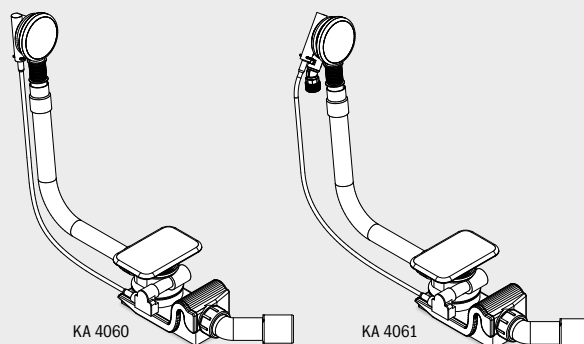
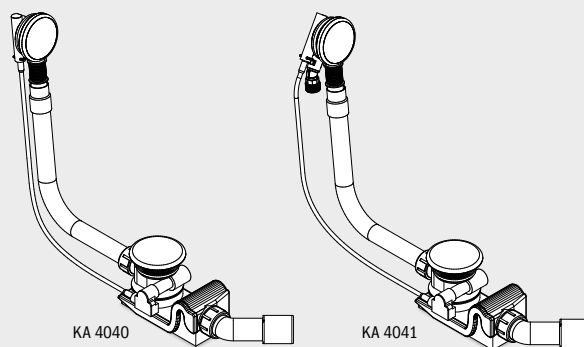
WATER INLET AND WASTE SYSTEMS

SPECIAL WASTE AND OVERFLOW FITTINGS

- high-quality fitting with enamelled waste cover and enamelled overflow knob
- integrates harmoniously and elegantly in the bath
- overflow in minimalist design - now even flatter
- also available with integrated filling function
- drainage capacity conforms to DIN EN 274 minimum of 0.8 l/s



Example illustration of model KA 4040



Special waste and overflow fitting	Model Order No.	Colour price groups				EUR
		I (alpine white)	II	III	IV	
with enamelled waste cover and enamelled overflow knob suitable for CONODUO and INCAVA	KA 4080 68777200xxxx					
with integrated filling function with enamelled waste cover and enamelled overflow knob, suitable for CONODUO and INCAVA. The KA 4081 fitting requires a non return valve. This is not included.	KA 4081 68777202xxxx					
Special waste and overflow fitting	Model Order No.	Colour price groups				EUR
		I (alpine white)	II	III	IV	
with enamelled waste cover and enamelled overflow knob suitable for ASYMMETRIC DUO	KA 4060 68777204xxxx					
with integrated filling function with enamelled waste cover and enamelled overflow knob, suitable for ASYMMETRIC DUO. The KA 4061 fitting requires a non return valve. This is not included.	KA 4061 68777206xxxx					
Special waste and overflow fitting	Model Order No.	Colour price groups				EUR
		I (alpine white)	II	III	IV	
with enamelled waste cover and enamelled overflow knob suitable for CENTRO DUO and ELLIPSO DUO	KA 4040 68777208xxxx					
with integrated filling function with enamelled waste cover and enamelled overflow knob, suitable for CENTRO DUO and ELLIPSO DUO. The KA 4041 fitting requires a non return valve. This is not included.	KA 4041 68777210xxxx					

BATH ACCESSORIES

SELECTION TABLE FOR SPECIAL WASTE AND OVERFLOW FITTINGS: BATHS

<h1 style="text-align: center;">KALDEWEI</h1>		Waterfall bath inlet with integrated overflow Mod. 5975	Comfort-Level					Comfort-Level Plus						
			Standard model 4001	Extended model 4002	Special model 4003	Model 4004	Model 4006	Model 4007	Standard model 4011	Extended model 4012	Special model 4013	Model 4014	Model 4016	Model 4017
Model	Model No.													
ASYMMETRIC DUO	740/742/744					○								○
CAYONO	747/753/748/754/749/755/750/756/751/757		○					○						
CENTRO DUO OVAL with moulded panel	127-7/128-7							○						○
CENTRO DUO family	127/128/129/130/131/132/ 133/134/135/136/137							○						○
CLASSIC DUO/CLASSIC DUO OVAL CLASSIC DUO OVAL WIDE	103/105/107/109/110/111/112/113/114 115/116	○	○						○					
CONODUO	732/733/734/735					○						○		
CONODUO with moulded panel	733-7/734-7/735-7					○						○		
DUO POOL	150	○	○						○					
DYNA SET/DYNA SET STAR	620/621/622/623/624/625/626/627		○					○						
DYNA/DYNA STAR	393/394		○					○						
ELLIPSO DUO OVAL with moulded panel	232-7							○						○
ELLIPSO DUO/ELLIPSO DUO OVAL	230/232							○						○
INCAVA	172, 174, 176					○						○		
MEGA DUO OVAL with moulded panel	184-7			○					○					
MEGA family	180/182/184			○					○					
MINI/MINI STAR right + left	830/831/832/833/834/835/836/837			○					○					
NOVOLA family	252/253/254/255/256/257/260/261/262/270			X					X					
PLAZA DUO right + left	190/192	○		○							○			
PUNTA DUO 3	910			○							○			
PURO PURRO STAR	652/653/683/687/691/696 685/689/654/693/655/698		○						○					
PURO with side overflow PURRO STAR with side overflow	656/657/684/688/692/697 686/690/658/694/659/699	○	○						○					
PURO DUO	663/664/665	○	○						○					
RONDO family	700/701/706/707/708/709/ 710/711/716/717/718/719	○	○						○					
SANIFORM PLUS/SANIFORM PLUS STAR SANIFORM V1-V4/SANIFORM V1-V4 STAR SANIFORM MEDIUM	330/331/332/333/334/335/336/337/344/345 338/360-1/361-1/362-1/363-1/371-1/372-1/373-1 374/375-1 /245/246		○						○					
SANIFORM PLUS	366/367			○					○					
SANILUX/SANILUX STAR	342/343		○						○					
SILENIO	674, 676, 678			○					○					
STUDIO/STUDIO STAR right + left	826/827/828/829			○					○					
TWIN POOL	660			○					○					
VAIO family	944/945/946/947/950/951/951-7 952/953/954/955/956/957/958/959/960 961/962/962-7		○											

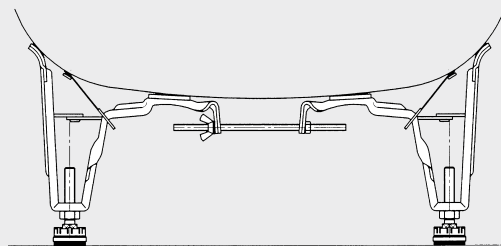
X only for NOVOLA DUO models without grip
Subject to technical alterations.

INSTALLATION

BATH LEG SETS

ALLROUND bath leg set 5030

- 2 pairs of height-adjustable screw-type feet
- simple mounting on bath cams
- feet are sound-proofed. Optimum sound proofing in accordance with DIN 4109/A1 in conjunction with the KALDEWEI BWS sound insulating set




Leg sets	Model Order No.	Amount	EUR
ALLROUND for baths	5030 58147000000	Pallet unit 60 sets	

BATH SECURING DEVICE

	Order No.		EUR
sound-proofed, Set with 2 pcs. 	687675130000	Minimum purchase 1 packing unit (10 sets)	

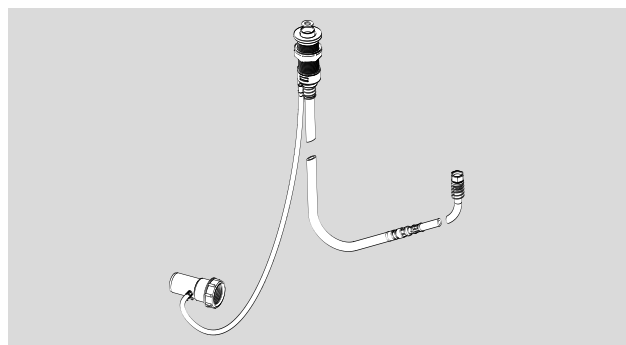
ADDITIONAL CHARGE FOR REQUESTED BORE HOLES (REGARDLESS OF THE QUANTITY)

			EUR
Drill holes for taps not possible on models 177, 951, 111, 232, 127, 128, 1127, 1128. All other drill holes on enquiry. Dimensioned sketch required. 			

BATHTUB ACCESSORIES

SHOWER HOSE 8880 RETRACTABLE

- The perfect system solution for installing the shower hose on the edge of the bath
- The shower hose discreetly disappears underneath the edge of the bath when not in use
- Any water drops that flow along the hose when the hand shower is in use are hygienically redirected towards the outlet valve via an additional hose; so no water flows under the edge of the tub to bath
- An integrated spring simplifies the retraction of the hand shower
- Inlet G3/8" or G1/2", outlet G1/2" for shower head, Shower hose length: 150 cm
- Suitable for KALDEWEI baths only



For installation on the edge of the bath

Model	Model no.	Model	Model no.
ASYMMETRIC DUO	740, 742, 744	PUNTA DUO 3	910-1
BASSINO	144	PURO	683, 687, 652, 691, 563, 696
CENTRO DUO 2	131, 135, 1131, 1135	PURO STAR	654, 655, 685, 689, 693, 698
CENTRO DUO 1 left	129, 136, 1129, 1136	PURO with side overflow	684, 688, 656, 692, 657, 697
CENTRO DUO 1 right	130, 137, 1130, 1137	PURO STAR with side overflow	658, 659, 686, 690, 694, 699
CENTRO DUO	132, 133	PURO DUO	663, 664, 665
CENTRO DUO 6	134	RONDO / RONDO STAR	700, 701, 710, 711
CLASSIC DUO OVAL	115	RONDO 6 / RONDO 6 STAR	706, 707, 716, 717
CLASSIC DUO	103, 105, 107, 109, 110, 114	STUDIO / STUDIO STAR right	826-1, 827-1
CONODUO	732, 733, 734, 735	STUDIO / STUDIO STAR left	828-1, 829-1
CONODUO 1 left	1702, 1703	TWIN POOL	660
CONODUO 1 right	1712, 1713	VAIO DUO	950
CONODUO 2	1722, 1723	VAIO DUO 6	952
ELLIPSO DUO	230	VAIO DUO 8	953
MEGA DUO	180	VAIO 6 / VAIO 6 STAR	958, 959
MEGA DUO 6	182	VAIO / VAIO STAR	960, 961
MEGA DUO OVAL	184	VAIO DUO 3	962 -1
NOVOLA / NOVOLA STAR	252, 253	VAIO SET	956, 944, 954, 946
NOVOLA DUO 6 / NOVOLA DUO 6 STAR	254, 255	VAIO SET STAR	957, 945, 955, 947
NOVOLA DUO / NOVOLA DUO STAR	256, 257		
PLAZA DUO right	190		
PLAZA DUO left	192		

**KALDEWEI shower hose 8880,
Retractable, chrome finish**

**Model
Order No.**

EUR

NOT in combination with COMFORT SELECT.

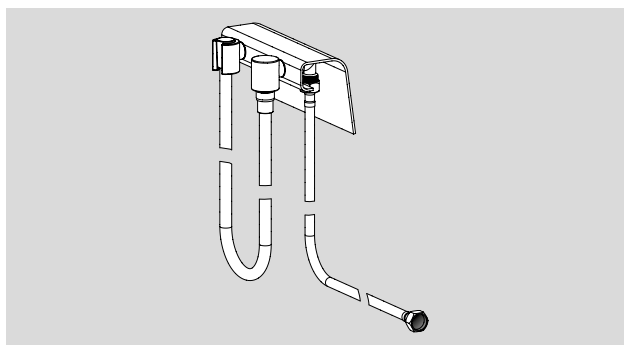
**8880
689720200999**

Note: Shower head not included. Information on positioning options can be found at www.kaldewei.com.

BATHTUB ACCESSORIES

SHOWER HOSE 8890 EXTERNAL

- The perfect system solution for positioning the shower hose on free-standing baths
- Chrome-plated attaching elements mounted to the side of the bath hold the external hose directly on the bath, safely and comfortably
- An elegant design for a stylish bath setting
- Inlet G1/2", Outlet G1/2" for shower head
- Suitable for KALDEWEI baths only



For free-standing installation

Model	Model no.	Model	Model no.
CENTRO DUO OVAL	127-7, 128-7	VAIO DUO OVAL	951-7
CLASSIC DUO OVAL Wide	115-7	MEISTERSTÜCK ASYMMETRIC DUO	1740, 1742
CONODUO	733-7, 734-7, 735-7	MEISTERSTÜCK CENTRO DUO OVAL	1127, 1128
MEGA DUO OVAL	184-7	MEISTERSTÜCK CONODUO	1732, 1733

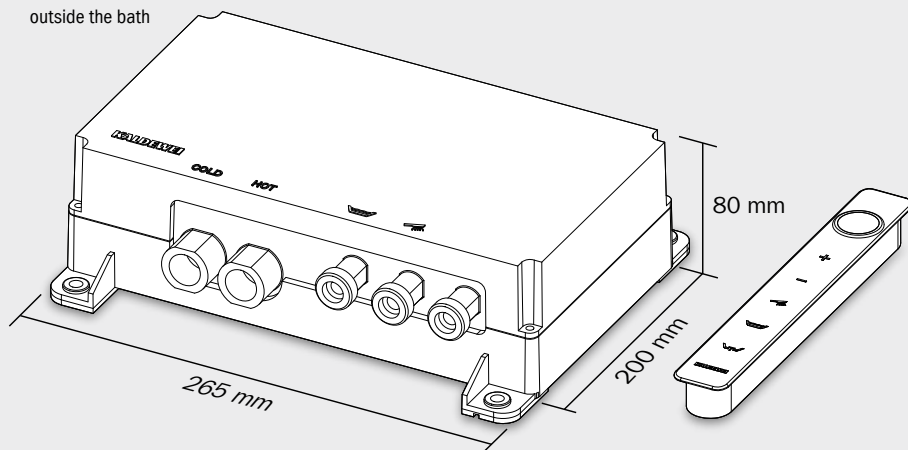
KALDEWEI Shower hose 8890, External, chrome finish	Model Order No.	EUR
NOT in combination with COMFORT SELECT.	8890 689720210999	

Note: Shower head not included. Information on positioning options can be found at www.kaldewei.com.

KALDEWEI COMFORT SELECT SYSTEM

COMFORT SELECT ELECTRONIC CONTROLS WITH OPERATION PANEL 4500 AND 4511

- Electronic control system with a high-quality operating panel in a chrome finish
- The innovative Piezo technology enables the following functions to be controlled by gently touching the symbols:
 - The water supply opens automatically when either the bath or shower symbols are activated
 - running time of water can be programmed
 - Temperature indicator in the stylish display
 - Simple toggling between the bath and shower functions
 - When the bath programme is selected the outflow closes automatically
 - The outflow can also be activated independently of the programme using KALDEWEI Comfort Select at any time
 - Precise control of the inflowing water temperature in increments of 0.5 degrees Celsius
 - The water temperature can be continuously increased up to 43 degrees by repeated pressing of a button, and up to 50 degrees by holding down a button for a longer period
 - Anti-scalding protection for safe and comfortable bathing
 - Push button locking for child safety purposes and easy cleaning
 - Only suitable for KALDEWEI baths
- The flat design of the panel is almost flush with the edge of the tub to allow convenient operation from inside or outside the bath



CAUTION!

- a special bath model is required. To assemble the operating panel, special holes must be drilled into the bath, which is included in the price.
- in combination with whirl systems only suitable for VIVO TURBO / VIVO TURBO PLUS!
- do not connect the COMFORT SELECT electronic controls to a continuous-flow water heater.
- please note the position of COMFORT SELECT. Further information can be found on our website www.kaldewei.com

Model	Model no.	Model	Model no.
ASYMMETRIC DUO	740, 742, 744	PUNTA DUO 3	910-1
CENTRO DUO OVAL	127, 128	PURO	683, 687, 652, 691, 653, 696
CENTRO DUO 2	131, 135	PURO STAR	685, 689, 654, 693, 655, 698
CENTRO DUO 1 left	129, 136	PURO with side overflow	684, 688, 656, 692, 657, 697
CENTRO DUO 1 right	130, 137	PURO STAR with side overflow	686, 690, 658, 694, 659, 699
CENTRO DUO	132, 133	PURO DUO	663, 664, 665
CENTRO DUO 6	134	RONDO / RONDO STAR	700, 701, 710, 711
CLASSIC DUO OVAL	112, 113, 111	RONDO 6 / RONDO 6 STAR	706, 707, 716, 717
CLASSIC DUO	103, 105, 107, 109, 110, 114	STUDIO / STUDIO STAR right	826-1, 827-1
CLASSIC DUO OVAL Wide	115	STUDIO / STUDIO STAR left	828-1, 829-1
CONODUO	732, 733, 734, 735	TWIN POOL	660
ELLIPSO DUO	230	VAIO DUO	950
MEGA DUO	180	VAIO DUO OVAL	951
MEGA DUO 6	182	VAIO DUO 6	952
MEGA DUO OVAL	184	VAIO DUO 8	953
NOVOLA / NOVOLA STAR	252, 253	VAIO 6 / VAIO 6 STAR	958, 959
NOVOLA DUO 6 / NOVOLA DUO 6 STAR	254, 255	VAIO / VAIO STAR	960, 961
NOVOLA DUO / NOVOLA DUO STAR	256, 257	VAIO DUO 3	962-1
PLAZA DUO right	190	VAIO SET	956, 944, 954, 946
PLAZA DUO left	192	VAIO SET STAR	957, 945, 955, 947
Basic model Type B			
MEISTERSTÜCK ASYMMETRIC DUO	1740, 1742	CONODUO	733-7, 734-7, 735-7
CENTRO DUO OVAL	127-7, 128-7	MEISTERSTÜCK CONODUO	1732, 1733
MEISTERSTÜCK CENTRO DUO OVAL	1127, 1128	MEGA DUO OVAL	184-7
CLASSIC DUO OVAL WIDE	115-7	VAIO DUO OVAL	951-7
COMFORT SELECT electronic controls with operation panel*, chrome		Model Order No.	EUR
Type A		4500 689720080999	
Type B for free-standing installation		4511 689720110999	

* additional COMFORT SELECT out and overflow fittings required

KALDEWEI COMFORT SELECT SYSTEM

COMFORT SELECT ELECTRONIC CONTROL

Phoenix Design. The easy-to-use electronic Comfort Select panel controls the main functions of a bath. The extremely flat chrome-look design fits into the edge of the bath and thus supports the harmonious overall appearance.



The innovative Piezo technology allows the following functions to be operated by gently touching the symbols:

— Temperature indication

— Precise control of the inflowing water temperature via the stylish display. Precise control of the inflowing water temperature in increments of 0.5 degrees Celsius.

— Simple toggling between the bath and shower functions.

— When the bath programme is selected, the waste is closed automatically.

— The waste can also be activated independently of the programme via KALDEWEI COMFORT SELECT at any time.

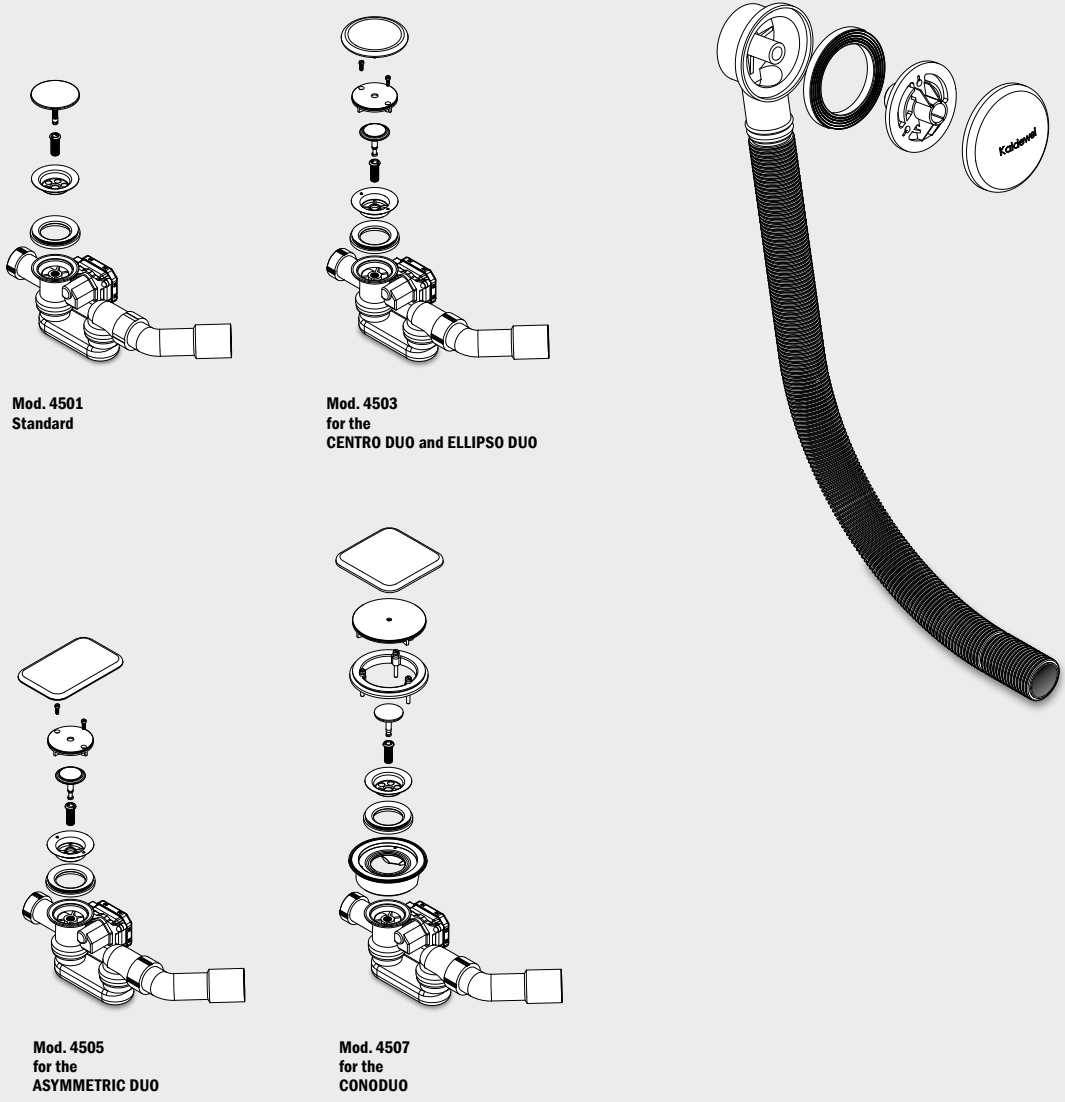
— All components of this system solution are made by KALDEWEI.



KALDEWEI COMFORT SELECT SYSTEM

COMFORT SELECT WASTE AND OVERFLOW FITTINGS WITHOUT FILLING FUNCTION

- For optimal use of the full functional range of KALDEWEI COMFORT SELECT
- The filling of the bath must be ensured via an additional water inlet
- Special fittings for ASYMMETRIC DUO, CENTRO DUO and ELLIPSO DUO models required
- Suitable for KALDEWEI baths only
- Min. drainage capacity of 0.8 l/s acc. to DIN EN 274 (water capacity at X bar = x litres)

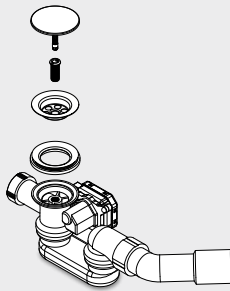


COMFORT SELECT waste and overflow fittings without integrated filler	Model Order No.	EUR			
Standard with chrome-plated outlet cover and overflow knob	4501 689720090999				
	Model Order No.	Colour price groups			
		I (alpine white)	II	III	IV
for the CENTRO DUO and ELLIPSO DUO models with enamelled waste cover and chrome-plated overflow knob	4503 68972001xxxx				
for the ASYMMETRIC DUO model with enamelled waste cover and chrome-plated overflow knob	4505 68972003xxxx				
for the CONODUO model with enamelled waste cover and chrome-plated overflow knob	4507 68972005xxxx				

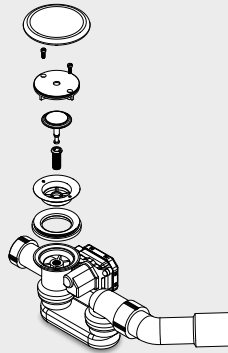
KALDEWEI COMFORT SELECT SYSTEM

COMFORT SELECT WASTE & OVERFLOW FITTINGS WITH INTEGRATED FILLER

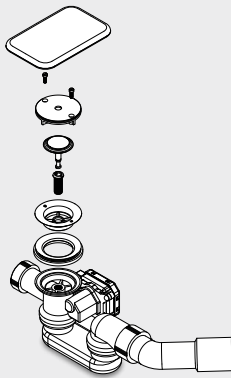
- To fill the bath using the out and overflow fittings
- Simply touching the COMFORT SELECT display can start and stop your bath from filling
- For optimal use of the full functional range of KALDEWEI COMFORT SELECT
- Automatic opening and closing of the conical valve
- Special fittings for ASYMMETRIC DUO, CENTRO DUO and ELLIPSO DUO models required
- Suitable for KALDEWEI baths only
- **for the COMFORT SELECT waste & overflow fittings with integrated filler a non-return valve is required**
- Min. drainage capacity of 0.8 l/s acc. to DIN EN 274 (water capacity at X bar = x litres)



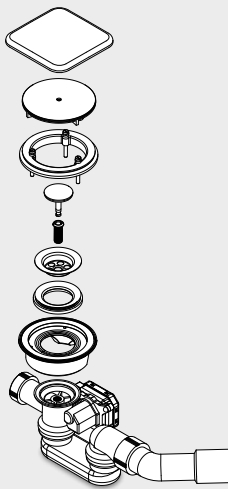
Mod. 4502
Standard



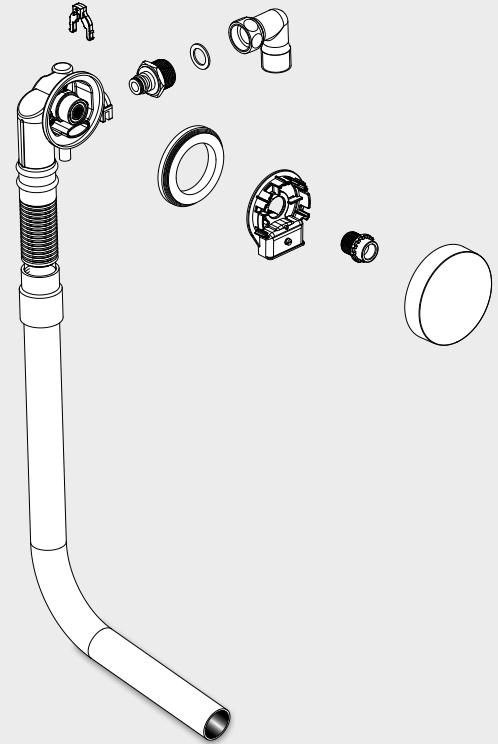
Mod. 4504
for the
CENTRO DUO and ELLIPSO DUO



Mod. 4506
for the
ASYMMETRIC DUO



Mod. 4508
for the
CONODUO



COMFORT SELECT waste and overflow fittings with integrated filler	Model Order No.	Colour price groups				EUR
		I (alpine white)	II	III	IV	
Standard with integrated filling function, chrome-plated outlet cover and overflow knob	4502 68972000999					
for CENTRO DUO and ELLIPSO DUO models with integrated filling function, enamelled waste cover and chrome-plated overflow knob	4504 68972002xxxx					
for ASYMMETRIC DUO model with integrated filling function, enamelled waste cover and chrome-plated overflow knob	4506 68972004xxxx					
For CONODUO model with integrated filling function, enamelled waste cover and chrome-plated overflow knob	4508 68972006xxxx					

KALDEWEI COMFORT SELECT SYSTEM

COMFORT SELECT SHOWER HOSE 4509 RETRACTABLE

- The perfect system solution for installing the shower hose on the edge of the bath
- The shower hose discreetly disappears underneath the edge of the bath when not in use
- Any water drops that flow along the hose when the hand shower is in use are hygienically redirected towards the outlet valve via an additional hose; so no water flows under the edge of the tub to bath
- An integrated spring simplifies the retraction of the hand shower
- Inlet G3/8" or G1/2", outlet G1/2" for shower head, Shower hose length: 150 cm
- Suitable for KALDEWEI baths only



For installation on the edge of the bath

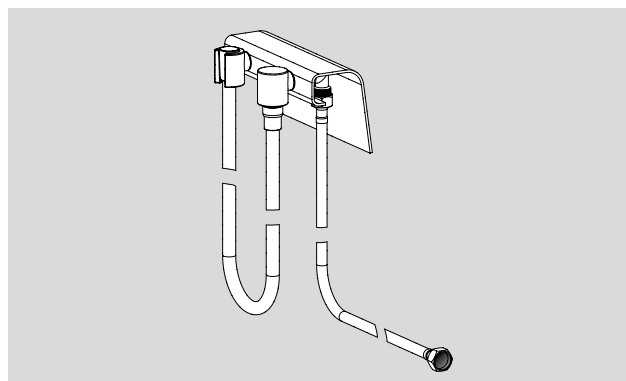
Model	Model no.	Model	Model no.
ASYMMETRIC DUO	740, 742, 744	PUNTA DUO 3	910-1
BASSINO	144	PURO	683, 687, 652, 691, 563, 696
CENTRO DUO 2	131, 135	PURO STAR	654, 655, 685, 689, 693, 698
CENTRO DUO 1 left	129, 136	PURO mit seitlichem Überlauf	684, 688, 656, 692, 657, 697
CENTRO DUO 1 right	130, 137	PURO STAR mit seitlichem Überlauf	658, 659, 686, 690, 694, 699
CENTRO DUO	132, 133	RONDO / RONDO STAR	700, 701, 710, 711
CENTRO DUO 6	134	RONDO 6 / RONDO 6 STAR	706, 707, 716, 717
CLASSIC DUO OVAL	115	STUDIO / STUDIO STAR right	826-1, 827-1
CLASSIC DUO	103, 105, 107, 109, 110, 114	STUDIO / STUDIO STAR left	828-1, 829-1
CONODUO	732, 733, 734, 735	TWIN POOL	660
ELLIPSO DUO	230	VAIO DUO	950
MEGA DUO	180	VAIO DUO 6	952
MEGA DUO 6	182	VAIO DUO 8	953
MEGA DUO OVAL	184	VAIO 6 / VAIO 6 STAR	958, 959
NOVOLA / NOVOLA STAR	252, 253	VAIO / VAIO STAR	960, 961
NOVOLA DUO 6 / NOVOLA DUO 6 STAR	254, 255	VAIO DUO 3	962 -1
NOVOLA DUO / NOVOLA DUO STAR	256, 257	VAIO SET	956, 944, 954, 946
PLAZA DUO right	190	VAIO SET STAR	957, 945, 955, 947
PLAZA DUO left	192		
KALDEWEI COMFORT SELECT shower hose 4509, Retractable, chrome finish		Model Order No.	EUR
Only in combination with COMFORT SELECT.		4509 68972010999	

Note: Shower head not included. Information on positioning options can be found at www.kaldewei.com.

KALDEWEI COMFORT SELECT SYSTEM

COMFORT SELECT SHOWER HOSE 4510 EXTERNAL

- The perfect system solution for positioning the shower hose on free-standing baths
- Chrome-plated attaching elements mounted to the side of the bath hold the external hose directly on the bath, safely and comfortably
- An elegant design for a stylish bath setting
- Inlet G1/2", Outlet G1/2" for shower head
- Suitable for KALDEWEI baths only



For free-standing installation

Model	Model no.	Model	Model no.
CENTRO DUO OVAL	127-7, 128-7	VAIO DUO OVAL	951-7
CLASSIC DUO OVAL Wide	115-7	MEISTERSTÜCK ASYMMETRIC DUO	1740, 1742
CONODUO	733-7, 734-7, 735-7	MEISTERSTÜCK CENTRO DUO OVAL	1127, 1128
MEGA DUO OVAL	184-7	MEISTERSTÜCK CONODUO	1732, 1733
KALDEWEI COMFORT SELECT Shower hose 4510, External, chrome finish		Model Order No.	EUR
Only in combination with COMFORT SELECT.		4510 689720120999	

Note: Shower head not included. Information on positioning options can be found at www.kaldewei.com.

DESIGN GRIPS

DISCREET OPULENCE AVANTGARDE COLLECTION

- Safety and elegance in an aesthetically-pleasing shape
- Classic curved basic shape with an extraordinary design
- High-quality, solid grips
- Specifically designed for the luxurious Avantgarde design for various bath models
- The grips are available singularly or in sets - depending to the bath model

TYPE A		
Model	Model no.	No. of grips
CENTRO DUO	132, 133	1
CENTRO DUO 1 left	129, 136	1
CENTRO DUO 1 right	130, 137	1
CENTRO DUO 2	131, 135	1
CENTRO DUO 6	134	1
CENTRO DUO OVAL	127, 128	1
DUO POOL	150	1

TYPE B		
Model	Model no.	No. of grips
MEGA DUO	180, 184, 182	1

TYPE C		
Model	Model no.	No. of grips
ELLIPSO DUO	230, 232	1

TYPE D		
Model	Model no.	No. of grips
STUDIO STAR right	827-1	2
STUDIO STAR left	829-1	2

TYPE E		
Model	Model no.	No. of grips
INCAVA	172, 174, 176	1



chrome

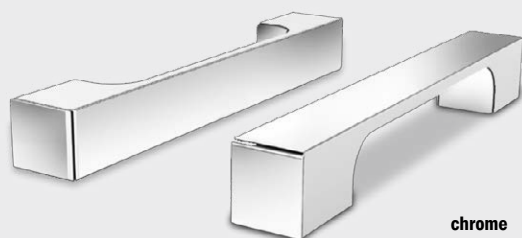
Bath grips, chrome	Order No.	EUR
Type A (1 grip)	59007000999	
Type B (1 grip)	59017000999	
Type C (1 grip)	59027000999	
Type D (2 grips)	59037000999	
Type E (1 grip)	59127000999	

ELEGANT PURISM AVANTGARDE COLLECTION

- Safety and elegance in an aesthetically-pleasing shape
- High-quality, solid grips
- Specifically designed for the puristic Avantgarde design for various bath models

TYPE A		
Model	Model no.	No. of grips
ASYMMETRIC DUO	740, 742, 744	1
CONODUO	732, 733, 734, 735	1

TYPE B		
Model	Model no.	No. of grips
PLAZA DUO	190, 192	1



chrome

Bath grips, chrome	Order No.	EUR
Type A (1 grip)	59047000999	
Type B (1 grip)	59057000999	

DESIGN GRIPS

DISCREET OPULENCE AMBIENTE COLLECTION

- Safety and elegance in an aesthetically-pleasing shape
- Soft, flowing form with a classic design
- High-quality, solid grips
- Specifically designed for the classic Ambiente design for various bath models
- The grips are available singularly or in sets - depending to the bath model



TYPE A		
Model	Model no.	No. of grips
CLASSIC DUO	103, 105, 107, 109, 110, 114	1
CLASSIC DUO OVAL	112, 113, 111, 116	1
CLASSIC DUO OVAL WIDE	115, 115-7	1
VAIO DUO	950	1
VAIO DUO OVAL	951, 951-7	1
VAIO DUO 6	952	1
VAIO DUO 8	953	1
TYPE B		
Model		
RONDO STAR	701, 711	2
VAIO STAR	961	2
VAIO 6 STAR	959	2
VAIO Set STAR	957, 945, 955, 947	2
RONDO 6 STAR	707, 717	2
TYPE C		
Model		
SILENIO	674, 676, 678	1

Bath grips, chrome	Order No.	EUR
Type A (1 grip)	59067000999	
Type B (2 grips)	59077000999	
Type C (1 grip)	59137000999	

ELEGANT PURISM AMBIENTE COLLECTION

- Safety and elegance in an aesthetically-pleasing shape
- Puristic, classic, basic shape in well-balanced proportions
- High-quality, solid grips
- Specifically designed for the especially straight-line Ambiente design of the PURO bath model



TYPE A		
Model	Model no.	No. of grips
PURO STAR	654, 655, 685, 689, 693, 698	2
PURO STAR with side overflow	658, 659, 686, 690, 694, 699	2
TYPE B		
Model		
PURO DUO	663, 664, 665	1

Bath grips, chrome	Order No.	EUR
Type A (2 grips)	59087000999	
Type B (1 grip)	59097000999	

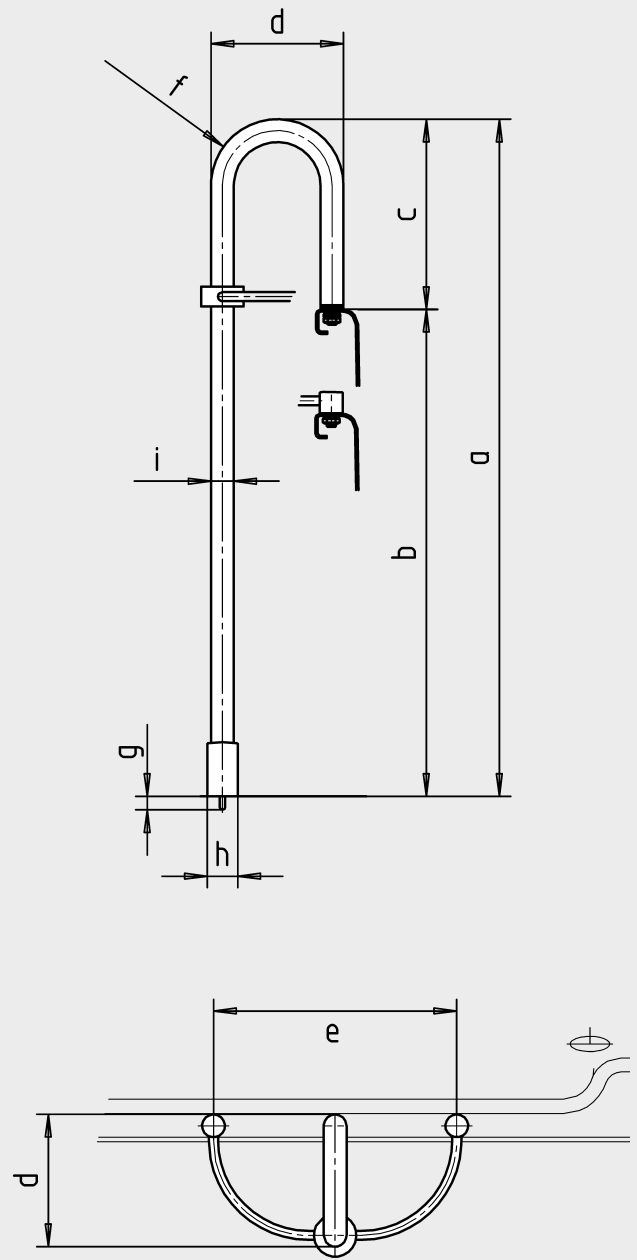
DESIGN GRIPS

POOL GRIP

- makes baths easy and safe to get into and out of
- particularly high-sided
- ensures a safe grip without the user having to bend down to the edge of the bath

WARNING! Special bath design required. To attach the pool grip, a special drilling (standard positioning) in the bath is required (already included in the accessory price).

*** The pool grip must be ordered together with the relevant bath in one order.**



Model no.		5871
Max. height of grip	a	890 mm
Max. height of bath	b	640 mm
Distance tub edge to top edge of grip	c	250 mm
Width of grip	d	174 mm
Distance between grip supports	e	320 mm
Radius	f	87 mm
Hole depth	g	20 mm
Diameter of grip sleeve	h	40 mm
Grip diameter	i	30 mm


POOL GRIP	Model	EUR
incl. 3 special holes	Order No.	
chrome	5871 58717000999	

For information on exact position of the pool grip on individual models visit www.kaldewei.com
 * Special drilling for custom positionings of the pool grip are charged extra.

KALDEWEI SILENCE PLUS

BATH SOUND INSULATING SETS			
	Order No.		EUR
<p>Bath sound insulating set BWS Bath sound insulating set consisting of: 2 x bath securing devices 1 x WAS 70 bath connection insulation 1 x WES 130 bath installation insulation 7 x sound-absorbing pads 1 x installation instructions Complies with DIN 4109/A1 in conjunction with the specially sound-proofed KALDEWEI feet</p> 	687675590000		
<p>Bath sound insulating set BWS Plus 2 x bath securing devices 1 x WAS 70 bath connection insulation 1 x WES 130 bath installation insulation 4 x Foot decouplers 1 x special leg set 5037 1 x installation instructions</p> 	687675520000		
<p>To comply with VDI 4100:2012:10, the bath must be installed with special sound insulation SAD (requires sound insulating set BWS Plus) and the BWS Plus sound insulating set. Extra charge for bath with special sound insulation:</p>			
Sound-absorbing pads			EUR
	Order No.		
<p>Bath sound-absorbing set BW-ADS Set consists of: 5 x sound-absorbing pads 350 x 175 mm 2 x sound-absorbing pads 175 x 175 mm</p>	687675730000		
Connection sound insulation strip WAS 70		Dimensions	EUR
	Order No.	m	
<p>1 connection sound insulating strip WAS 70 1 set of assembly instructions</p>  <p>Connection sound insulation strip WAS 70</p>	687676030000	3,30 m 3,30 m, from 10 pieces	
	687676040000	10,00 m 10,00 m, from 5 pieces	

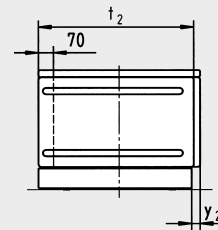
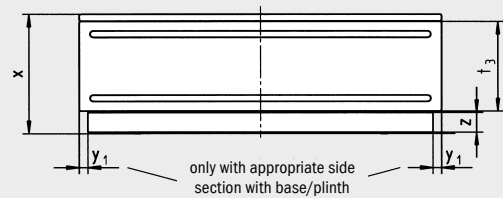
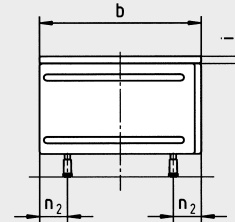
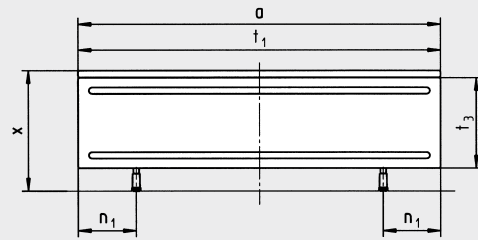
WATERPROOF

SEALING TAPE WDB 95			
	Order No.	Dimensions	EUR
<ul style="list-style-type: none"> • May be used as sealing along the wall • Protects KALDEWEI silicone joints on wall side against moisture migration • Easy to apply and integrates in other standard sealing systems • WDB 95 is then tiled in between bath rim and wall • Available in lengths of 3.8 m and 5 m  <p>Sealing tape WDB 95</p>			
<p>1 sealing tape, 95 mm wide 1 capillary protecting strip, 15 x 2 mm 4 capillary protecting corners 1 installation instructions 1 warning sticker for tilers</p>	687675990000	3,30 m 3,30 m, from 10 pieces	
	687676000000	10,00 m 10,00 m, from 5 pieces	

PANELLING SYSTEM

BAKO PANELLING SYSTEM FOR SANIFORM PLUS

- a panelling system which provides flexibility
- the bath can be replaced without damaging the tiles
- no bricking in and tiling
- quick installation without the nuisance of dust and noise



Bako front section

Model No.		1400	1400/UT	1500	1500/UT	1600	1600/UT	1700	1700/UT
External length	a	1400	1400	1500	1500	1600	1600	1700	1700 mm
External width	b	-	-	-	-	-	-	-	- mm
Height of rim	i	32	32	32	32	32	32	32	32 mm
Distance bath edge to centre of base	n ₁ ; n ₂	270; 130	270; 130	270; 130	270; 130	270; 130	270; 130	270; 130	270; 130 mm
Length long section	t ₁	1400	1400	1500	1500	1600	1600	1700	1700 mm
Length side section	t ₂	-	-	-	-	-	-	-	- mm
Height front and side section	t ₃	420	420	420	420	420	420	420	420 mm
Overall height	x	560	560	560	560	560	560	560	560 mm
Base/plinth	y ₁ ; y ₂	-	40; 40	-	40; 40	-	40; 40	-	40; 40 mm
Height base	z	-	92	-	92	-	92	-	92 mm

for SANIFORM PLUS/ SANIFORM PLUS STAR Model No.		360-1/330	360-1/330	361-1/331	361-1/331	362-1/332 372-1/333	362-1/332 372-1/333	363-1/335 373-1/336	363-1/335 373-1/336
--	--	-----------	-----------	-----------	-----------	------------------------	------------------------	------------------------	------------------------

BAKO side section

Model No.		700	700/UT	750	750/UT	700 VK70	
External length	a	-	-	-	-	- mm	
External width	b	700	700	750	750	700 mm	
Height of rim	i	32	32	32	32	32 mm	
Distance bath edge to centre of base	n ₁ ; n ₂	-	-	270; 130	270; 130	270; 130 mm	
Length long section	t ₁	-	-	-	-	- mm	
Length side section	t ₂	-	670	670	720	720	600 mm
Height front and side section	t ₃	-	420	420	420	420	420 mm
Overall height	x	-	560	560	560	560	560 mm
Base/plinth	y ₁ ; y ₂	-	-	40; 40	-	40; 40	- mm
Height base	z	-	-	92	-	92	- mm

for SANIFORM PLUS/ SANIFORM PLUS STAR Model No.		360-1; 361-1 362-1; 363-1 330; 331 332; 335	360-1; 361-1 362-1; 363-1 330; 331 332; 335	360-1; 361-1 362-1; 363-1 330; 331 332; 335	372-1; 373-1 333; 336	372-1; 373-1 333; 336	360-1; 361-1 362-1; 363-1 330; 331 332; 335
--	--	--	--	--	--------------------------	--------------------------	--

UT = version with base/plinth VK = shortened

PANELLING SYSTEM

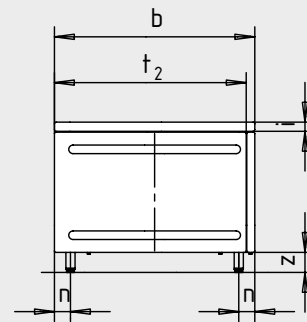
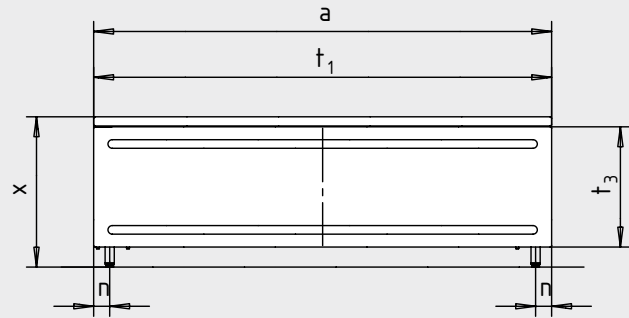
BAKO PANELLING SYSTEM FOR SANIFORM PLUS

	Model Order No.	Dimensions cm	EUR alpine white
Front section without base In this version, the created inspection opening is not covered.	1400 685500070001 1500 685500010001 1600 685500020001 1700 685500030001	140 x 42 x 4 150 x 42 x 4 160 x 42 x 4 170 x 42 x 4	
Front section with base Height base: 9,2 cm	1400/UT 685500080001 1500/UT 685500060001 1600/UT 685500040001 1700/UT 685500050001	140 x 51,2 x 4 150 x 51,2 x 4 160 x 51,2 x 4 170 x 51,2 x 4	
Side section without base In this version, the created inspection opening is not covered.	700 685500200001 750 685500240001 700/VK70 685500220001	70/67 x 42 x 4 75/72 x 42 x 4 70/60 x 42 x 4 short. 7	
Side section with base Height base: 9,2 cm	700/UT 685500210001 750/UT 685500230001	70/67 x 51,2 x 4 75/72 x 51,2 x 4	
Tubular foot frame			EUR
Tubular foot frame mandatory, replaces other legset models for SANIFORM PLUS/SANIFORM PLUS STAR 70 cm wide Mod. 360-1, 361-1, 362-1, 363-1, 330, 331, 332, 335	5310 685500400000		
Tubular foot frame mandatory, replaces other legset models for SANIFORM PLUS/SANIFORM PLUS STAR 75 cm wide Mod. 372-1, 373-1, 333, 336	5311 685500410000		

PANELLING SYSTEM

BAKO EASY FIT PANELLING SYSTEM

- quick and simple assembly using tubular pipe system
- bathtub is simply suspended in the frame
- simple fixture of panels using magnets; easily removable
- panels made of 100% recyclable steel enamel
- panels equipped with sound insulating pads



BAKO EASY FIT long section

Model No.		1400/EF	1500/EF	1600/EF	1700/EF	1800/EF
External length	a	1400	1500	1600	1700	1800 mm
External width	b	-	-	-	-	- mm
Height of rim	i	32	32	32	32	32 mm
Distance bath edge to centre of base	n	56	56	56	56	56 mm
Length long section	t ₁	1400	1500	1600	1700	1800 mm
Length side section	t ₂	-	-	-	-	- mm
Height front and side section	t ₃	420	420	420	420	420 mm
Overall height	x	525-545	525-545	525-545	525-545	525-545 mm
Height base	z	70-90	70-90	70-90	70-90	70-90 mm
for Saniform Plus/ Saniform Plus Star Model No.		360-1/330	361-1/331	362-1/332 372-1/333	363-1/335 373-1/336	375-1/337

BAKO EASY FIT side section

Model No.		700/EF	750/EF	800/EF
External length	a	-	-	- mm
External width	b	700	750	800 mm
Height of rim	i	32	32	32 mm
Distance bath edge to centre of base	n	56	56	56 mm
Length long section	t ₁	-	-	- mm
Length side section	t ₂	670	720	770 mm
Height front and side section	t ₃	420	420	420 mm
Overall height	x	525-545	525-545	525-545 mm
Height base	z	70-90	70-90	70-90 mm
for Saniform Plus/ Saniform Plus Star Model No.		360-1; 361-1 362-1; 363-1 330; 331 332; 335	372-1; 373-1 333; 336	375-1/337

UT = version with base/plinth VK = shortened

PANELLING SYSTEM

BAKO EASY FIT PANELLING SYSTEM

BAKO EASY FIT panelling system	Model Order No.	Dimensions cm	EUR white			
Long section The created inspection opening is not covered.	1400/EF 685500700001 1500/EF 685500710001 1600/EF 685500720001 1700/EF 685500730001 1800/EF 685500740001	140 x 42 x 4 150 x 42 x 4 160 x 42 x 4 170 x 42 x 4 180 x 42 x 4				
Side section The created inspection opening is not covered.	700/EF 685500750000 750/EF 685500760000 800/EF 685500770000	70/67 x 42 x 4 75/72 x 42 x 4 80/77 x 42 x 4				
Tubular frame for Saniform Plus/Saniform Plus Star			EUR			
Mod. 360-1, 330	5320 685500800000	140 x 70				
Mod. 361-1, 331	5321 685500810000	150 x 70				
Mod. 362-1, 332	5322 685500820000	160 x 70				
Mod. 363-1, 335	5323 685500830000	170 x 70				
Mod. 373-1, 336	5324 685500840000	170 x 75				
Mod. 375-1, 337	5325 685500850000	180 x 80				

SURFACES

ANTI-SLIP FINISHES

KALDEWEI anti-slip keeps you on firm ground when you get into the bath or shower. The anti-slip enamel is firmly bonded to the KALDEWEI steel enamel.



CENTRO DUO OVAL

ANTI-SLIP AND FULL ANTI-SLIP

for KALDEWEI baths

- Discontinuous, dot textured finish
- Anti-slip and full anti-slip baths are not available in colour price group IV
- For exact anti-slip/full anti-slip positioning on each model please visit www.kaldewei.com

Surcharge anti-slip/full anti-slip

Colour price group

EUR

Anti-slip for baths and whirl baths*

Anti-slip for PLAZA DUO

Full anti-slip for baths and whirl baths*

Full anti-slip for PLAZA DUO

	I	II	III	IV
Anti-slip for baths and whirl baths*				
Anti-slip for PLAZA DUO				
Full anti-slip for baths and whirl baths*				
Full anti-slip for PLAZA DUO				

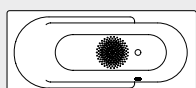
*Anti-slip/full anti-slip is not possible on whirl baths with floor jets

EXEMPLARY ILLUSTRATION OF ANTI-SLIP/FULL ANTI-SLIP DESIGNS ON BATHS

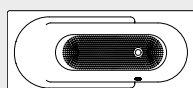
ANTI-SLIP

FULL ANTI-SLIP

RONDO

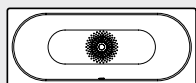


170 x 75



170 x 75

CLASSIC DUO

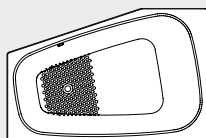


170 x 70

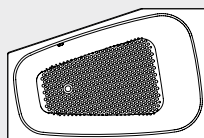


170 x 70

PLAZA DUO right

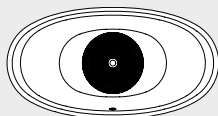


180 x 120/80

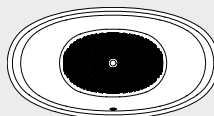


180 x 120/80

ELLIPSO DUO OVAL



190 x 100



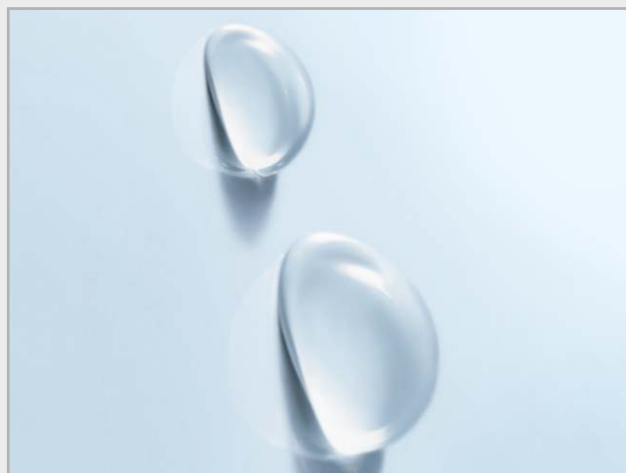
190 x 100

The sizes of the anti-slip and full anti-slip can be found in the technical information on the respective product pages.

SURFACES

EASY-CLEAN FINISH

All baths and shower trays are available with the easy-clean finish. The easy-clean finish is a surface finish that is permanently burnt onto the KALDEWEI steel enamel 3,5 mm. Water droplets form beads and simply roll down the sides, taking virtually all dirt particles and limescale with them. Even dried-on water marks and limescale deposits can be quickly wiped away.




Surcharge easy-clean finish	Model Order No.	EUR
for baths	xxxxxxx3xxx	

COLOUR & STYLE

DECORATION

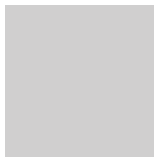


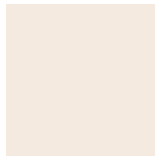


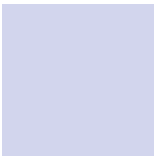
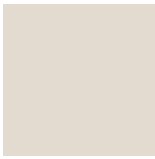



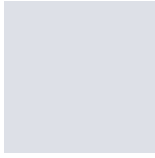
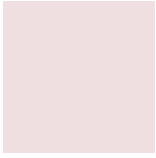
– decorative lily in delicate shades of grey
– permanently burned into the KALDEWEI steel enamel

Model	Colour	Model no.	EUR
for baths			
ASYMMETRIC DUO	alpine white, black	740, 742, 744	
CAYONO/CAYONO STAR	alpine white, black	747/753, 748/754, 749/755, 750/756, 751/757	
CENTRO DUO	alpine white, black	132, 133	
CENTRO DUO 1 left/right	alpine white, black	129/130, 136/137	
CENTRO DUO 2	alpine white, black	131, 135	
CENTRO DUO 6	alpine white, black	134	
CENTRO DUO OVAL	alpine white, black	127, 128	
CLASSIC DUO	alpine white, black	103, 105, 107, 109, 110, 114	
CLASSIC DUO OVAL	alpine white, black	111, 112, 113	
CONODUO	alpine white, black	732, 733, 734, 735	
DUO POOL	alpine white, black	150	
PLAZA DUO left/right	alpine white, black	190, 192	
PURO/PURO DUO	alpine white, black	652, 653, 656, 657, 683, 684, 687, 688, 691, 692, 696, 697, 663, 664, 665	
SANIFORM PLUS	alpine white, black	360-1, 361-1, 362-1, 363-1, 366, 367, 371-1, 372-1, 373-1, 375-1	

Only for baths without special equipment (grips, whirlpool system, waterfall bath inlet).

COLOUR & STYLE

COLOUR OVERVIEW FOR BATHS

Colour price group I	Colour price group II	Colour price group III				Colour price group IV Coordinated Colours Collection	
 alpine white	 manhattan	 ägäis	 bahamabeige	 bianco I. S.	 calypso	 arctic white matt <small>(available until 31.03.16)</small>	 alpine white matt <small>(available from 01.04.16)</small>
	 pergamon	 candel	 capri V+B	 champagner	 edelweiss	 city-anthracite matt	 lava black matt
		 greenwich	 ind.-elfenbein	 jasmin	 key west Duravit	 seashell cream matt	 oyster grey matt
		 melba Duravit	 natura V+B	 black	 soft-cream		
		 star white	 whisper blau	 whisper rosa			

Actual product colours may differ slightly from those illustrated due to the printing process.

Colour	Colour code	Colour price group	Colour	Colour code	Colour price group
ägäis	0499	III	jasmin	0141	III
alpine white	0001	I	key west Duravit	0650	III
bahamabeige	0030	III	manhattan	0199	II
bianco I. S.	0563	III	melba Duravit	0188	III
calypso	0571	III	natura V+B	0099	III
candel	0056	III	pergamon	0231	II
capri V+B	0054	III	black	0701	III
champagner	0065	III	soft-cream	0283	III
edelweiss	0579	III	star white	0089	III
greenwich	0635	III	whisper blau	0370	III
ind.-elfenbein	0121	III	whisper rosa	0372	III

The ASYMMETRIC DUO, CENTRO DUO, CENTRO DUO 1 left+right, CENTRO DUO 2, CENTRO DUO 6, CENTRO DUO OVAL, CENTRO DUO OVAL with moulded panel, CONODUO, CONODUO with moulded panel, ELLIPSO DUO, ELLIPSO DUO OVAL, ELLIPSO DUO OVAL with moulded panel are also available in the following colours:

Colour	Colour code	Colour price group	Colour	Colour code	Colour price group
arctic white matt*	0713	IV	lava black matt*	0717	IV
alpine white matt*	0711	IV	oyster grey matt*	0727	IV
city-anthracite matt*	0716	IV	seashell cream matt*	0728	IV
Colour panel	Colour code	Colour price group	Colour panel	Colour code	Colour price group
ägäis	0499	III	natura V+B*	0099	III
alpine white	0001	I	pergamon	0231	II
edelweiss	0579	III	black	0701	III
manhattan	0199	II	star white	0089	III

* not for whirl baths
Subject to technical alterations.

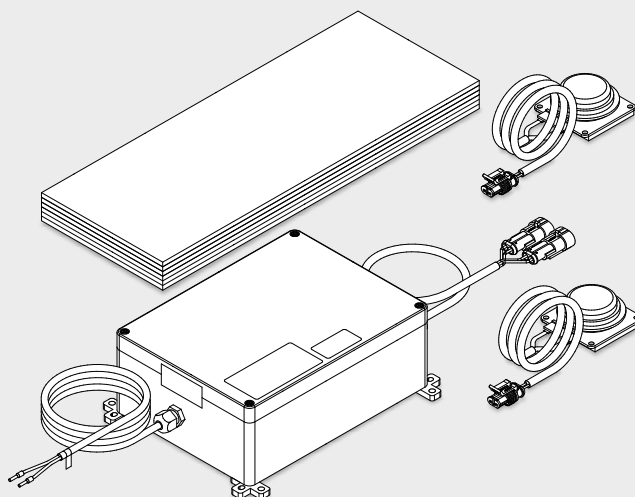
SOUND WAVE

- Innovative sound audio system
- Bath acts as sound box
- Good audio quality due to perfectly tuned technology
- Extraordinary sound above and under water
- Immersive musical experience
- Very easy to operate using your Bluetooth®-enabled device
- Perfect for the family. Wireless connection for up to 8 devices
- Operation via Bluetooth®.

The SOUND WAVE complies with Bluetooth® specification 2.1. The system supports the following profiles: Advanced Audio Distribution (A2DP) 1.0 and Audio/Video Remote Control (AVRCP) 1.0, and the protocols SBC (Subband Coding) and aptX®

- Sound Wave automatically switches to stand by after disconnection
- Only suitable for KALDEWEI baths

Not suitable for whirl baths.



THE INNOVATIVE BATH AUDIO SYSTEM.

Relaxation and wellness belong to a lifestyle. Just as well-being is invigorating for body and soul. So, what better way to relax than with music? With SOUND WAVE, KALDEWEI offers an innovative audio system that uses the bath as a sound box to create exceptional sounds –with or without water. The SOUND WAVE components, including

Bluetooth® receiver, are concealed under the bath. The set comprises six acoustic panels, a control box with power cable, and 2 transducers. Experience the extraordinary sound under water and escape from everyday life – with SOUND WAVE.



SOUND WAVE

The Sound Wave system is available for all KALDEWEI baths (except baths with installed whirl systems).

Model Order No.

EUR

SOUND WAVE

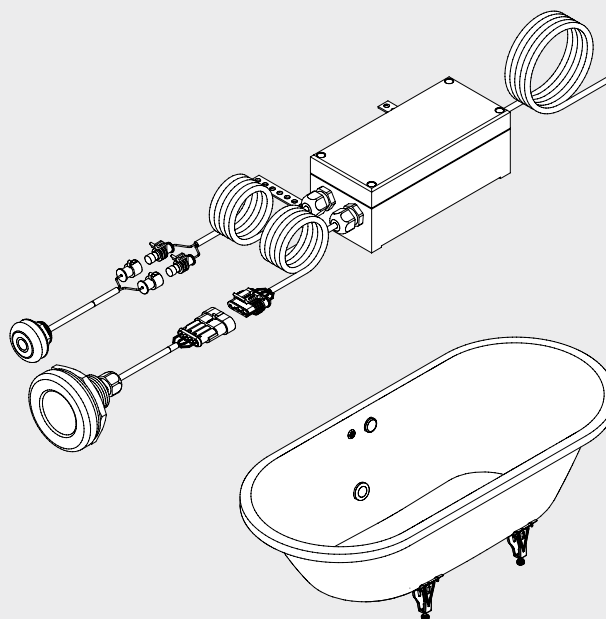
6800
584576000000

Following bath combinations are not compatible with the Sound Wave system:
232-7/910-2/910-3/150-2/150-3/150-4/150-5/150-6/828-2/828-3/829-2/829-3/826-2/826-3/827-2/827-3
Bluetooth is a registered brand of Bluetooth SIG Inc.

LIGHTING SET FOR BATHS

- more of a bathing experience thanks to atmospheric lighting effects
- available in white light or spectral light
- spotlight operated with keyboard in the bath
- set comprises one LED spotlight, one control with mains cable and one keyboard
- simple to install in bath with hole (not preassembled in factory)

CAUTION! Special bath design required. For lighting set mounting, a special bath hole (standard positioning) is to be provided, which is included into the accessory price. Lighting set should be ordered with the corresponding bath in one step.



Lighting set incl. special hole	Model Order No.	EUR
white light (LED)	6300 63000000999	
spectral light (LED)	6301 630000010999	

Not available for SILENIO, INCAVA, MEISTERSTÜCK INCAVA, NOVOLA baths, ELLIPSO DUO OVAL with panel and baths with polystyrene support. For whirlpool lighting options see page 180.

INDIRECT LIGHTING FOR BATHS

- exclusive light concept to meet high design expectations
- available for all ASYMMETRIC DUO, BASSINO, CENTRO DUO and CONODUO models
- four sources of indirect lighting inserted flush into the side of the bath
- simple to install in bath with hole (not preassembled in factory)
- not available for baths with whirlpool system

CAUTION! Special bath design required. For mounting of indirect lighting, a special bath hole (standard positioning) is to be provided, which is included into the accessory price. Indirect lighting has to be ordered with the corresponding bath in one step.



Indirect lighting incl. indentations and special holes	Model Order No.	EUR
Set of 4 white lights	5500	
alpine white	550001000001	
manhattan	550001000199	
pergamon	550001000231	

RELAX LOUNGER

- bath cover can be used as a seat or for reclining
- consists of three individual sections (each 6 kg)
- made of high-quality, hand-sewn upholstery
- with matching, semi-circular pillow (40 x 23 x 9 cm)
- colours: Anthracite, Beige, Crimson, Chocolate
- rack for storing relax lounger and pillow (60 x 31 x 29 cm) in high-quality MDF in alpine white



RELAX LOUNGER	Dimension	Model
BASSINO	200 x 100	144
CAYONO	150 x 70	747
CAYONO	160 x 70	748
CAYONO	170 x 70	749
CAYONO	170 x 75	750
CAYONO	180 x 80	751
CENTRO DUO	170 x 75	132
CENTRO DUO	180 x 80	133
CLASSIC DUO	170 x 75	107
CLASSIC DUO	180 x 80	110
CLASSIC DUO	190 x 90	114
CONODUO	170 x 75	732
CONODUO	180 x 80	733
CONODUO	190 x 90	734
CONODUO	200 x 100	735
DYNA SET/DYNA SET STAR	180 x 80	622/623
PURO/PURO STAR	170 x 75	652, 654/656, 658
PURO/PURO STAR	180 x 80	653, 655/657, 659
PURO/PURO STAR	190 x 90	696, 698/697, 699
PURO DUO	170 x 75	663
PURO DUO	180 x 80	664
PURO DUO	190 x 90	665
SANIFORM PLUS/SANIFORM PLUS STAR	170 x 75	373/336
SANIFORM PLUS/SANIFORM PLUS STAR	180 x 80	375/337
VAIO DUO	180 x 80	950
VAIO SET/VAIO SET STAR	170 x 75	954/955
VAIO SET/VAIO SET STAR	180 x 80	946/947



Anthracite



Beige



Crimson



Chocolate

Actual product colours may differ slightly from those illustrated due to the printing process.

RELAX LOUNGER	Model Order No.	Dimensions cm	EUR
Anthracite Beige Crimson Chocolate	7090 6897 1018 0000 6897 1015 0000 6897 1016 0000 6897 1017 0000	170 x 75	
Anthracite Beige Crimson Chocolate	7100 6897 1008 0000 6897 1001 0000 6897 1006 0000 6897 1007 0000	180 x 80	
Anthracite Beige Crimson Chocolate	7110 6897 1011 0000 6897 1002 0000 6897 1009 0000 6897 1010 0000	190 x 90	
Anthracite Beige Crimson Chocolate	7120 6897 1014 0000 6897 1005 0000 6897 1012 0000 6897 1013 0000	200 x 100	
rack for storing	6897 1003 0000		

MULTIFUNCTIONAL CUSHIONS

- can be used as foot, neck or arm rest
- foot rest: keeps you from sliding down in larger baths
- below the thighs: keeps you from sliding down in larger baths
- neck rest: comfortable support for head and neck
- arm rest: gives you a place to rest your arms when placed at the sides of the bath
- size 35 x 12 x 5 cm
- available in two colours
- set of two cushions



MULTIFUNCTIONAL CUSHIONS	Order No.		EUR
Set with two cushions, grey	687675770000	Minimum purchase 1 set (2 pcs.)	
Set with two cushions, white	687675760000	Minimum purchase 1 set (2 pcs.)	

BATH CUSHION

Bath cushion made of flexible, soft material which adapts to the shape of the neck and the bath. The hardness level of the full cushion can also be adjusted by means of a valve. Textile cover kind to the skin and machine-washable, with practical sewn-in tab for hanging up to dry. **Size: 50 x 30 cm**



KALDEWEI bath cushion	Order No.		EUR
	687675830000	from 3 pieces	

KALDEWEI



CONODUO with SKIN TOUCH

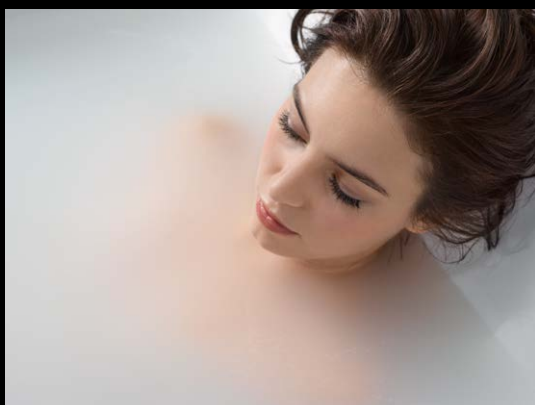
kaldewei.com

KALDEWEI SKIN TOUCH

THE MOST IMPORTANT ADDITIVE FOR YOUR BEAUTY BATH: AIR.

With SKIN TOUCH you feel even more at home in your skin. Because this new system transforms the KALDEWEI Avantgarde and Ambiente bathtubs into veritable fountains of youth. A discreet jet enriches the water with tiny bubbles of air which are up to 100 times smaller

than those in whirl baths and significantly increase the oxygen content of the bathwater. This microfine pearl effect relaxes and regenerates. The result: After bathing your skin feels even smoother and softer.



SKIN TOUCH film

PRODUCT	COMPONENTS
SKIN TOUCH emotion	SKIN TOUCH unit; electronic control panel; spectral light
SKIN TOUCH	SKIN TOUCH unit; on / off control

Model	Model No.	Model	Model No.
ASYMMETRIC DUO	740, 742, 744	MEGA DUO 6	182
CENTRO DUO OVAL	127, 128	MEGA DUO OVAL	184
CENTRO DUO 2	131, 135	PLAZA DUO right	190
CENTRO DUO 1 left	129, 136	PLAZA DUO left	192
CENTRO DUO 1 right	130, 137	PUNTA DUO 3	910
CENTRO DUO	132, 133	PURO	683, 687, 652, 691, 653, 696
CENTRO DUO 6	134	PURO STAR	685, 689, 654, 693, 655, 698
CLASSIC DUO OVAL	111, 116, 112, 113	PURO with side overflow	684, 688, 656, 692, 657, 697
CLASSIC DUO	105, 107, 109, 110, 114	PURO STAR with side overflow	686, 690, 658, 694, 659, 699
CLASSIC DUO OVAL Wide	115	PURO DUO	663, 664, 665
CONODUO	732, 733, 734, 735	RONDO / RONDO STAR	700, 701, 710, 711
ELLIPSO DUO	230	RONDO 6 / RONDO 6 STAR	706, 707, 716, 717
MEGA DUO	180	VAIO DUO 3	962 -1

All bathtubs incl. easy-clean finish when ordering SKIN TOUCH/SKIN TOUCH emotion



RELAXATION HAS MANY SOURCES

VIVO TURBO and VIVO TURBO PLUS

- The intensity ranges from gentle caresses by stimulating the sensory hairs to a strong all-over massage of the skin, soft tissue and muscles
- Excellent hygiene properties
- No need for disinfection
- Individually adjustable whirl programmes with addition of air after the Venturi principle

VIVO AQUA ECO and VIVO AQUA

- Six paired water massage jets are targeted directly at the body. Air can optionally be added to the massage jets after the Venturi principle
- The intensity of added air can be infinitely adjusted using the knob
- The massage effect can also be smoothly increased via the keypad (VIVO AQUA)

VIVO VITA

- A pleasant stream of bubbly air flows through the water
- Endless bubbles stimulate the nerve endings in the skin like a pleasant full-body massage
- The whirl intensity can be smoothly adjusted from a soft caressing effect to a deeply invigorating vibration and shaking massage using the bath keypad

VIVO VARIO ECO and VIVO VARIO PLUS

- An especially quiet blower whirls tiny air bubbles up from the floor jets for a caressing massage
- The whirl intensity can be smoothly adjusted using the bath keypad
- The combined effect of floor and side jets is taken a step further
- All functions can be operated using the convenient touch display (VIVO VARIO PLUS)
- Four favourite settings can be stored using the memory function and called up at any time (VIVO VARIO PLUS)



Side jet in VIVO TURBO and VIVO TURBO PLUS.



Floor jet with air in VIVO VITA and VIVO VARIO ECO.



Side jet with air mixture in VIVO AQUA ECO, VIVO AQUA and VIVO VARIO ECO.



Microjet with air mixture in VIVO VARIO PLUS.



Rotating side jet with air mixture in VIVO VARIO PLUS.



Floor jet with air and KALDEWEI champagne effect in VIVO VARIO PLUS.

WHIRL SYSTEMS

VIVO TURBO



ASYMMETRIC DUO with VIVO TURBO



CONODUO with VIVO TURBO

VIVO TURBO PLUS



ELLIPSO DUO with VIVO TURBO PLUS

VIVO VITA



MEGA DUO with VIVO VITA

VIVO AQUA ECO



CENTRO DUO 6 with VIVO AQUA ECO



CLASSIC DUO with VIVO AQUA ECO

VIVO AQUA



ASYMMETRIC DUO with VIVO AQUA

VIVO VARIO ECO



ELLIPSO DUO OVAL with VIVO VARIO ECO

VIVO VARIO PLUS



CENTRO DUO with VIVO VARIO PLUS



CONODUO with VIVO VARIO PLUS

Similar illustrations

OVERVIEW FEATURES WHIRL SYSTEMS

type of system		whirl systems						
		VIVO TURBO	VIVO TURBO PLUS	VIVO VITA	VIVO AQUA ECO	VIVO AQUA	VIVO VARIO ECO	VIVO VARIO PLUS
special feature		water	water	air	water	water	air and water	air and water
jets/piping	side jets (water)	6	6	-	4-6	6-8	6-8	6-8
	floor jets (air)	-	-	10-12	-	-	10-12	10-12
	micro jets in the lumbar region	-	-	-	-	-	-	2-4
	micro jets in the foot reflexology zone	-	-	-	-	-	-	2
	rotating side jets (water)	-	-	-	-	-	-	●
	piping system	-	-	●	●	●	●	●
	without piping system (every jet has its own motor)	●	●	-	-	-	-	-
	passive addition of air (Venturi principle)	●	●	-	●	●	●	-
	active addition of air	-	-	-	-	-	-	●
	individual alignment of the massage jet	●	●	-	●	●	●	●
	continuous intensity adjustment	●	●	●	-	●	●	●
	visible parts in chrome*	●	●	●	●	●	●	●
operation	interval function	●	●	●	-	●	●	●
	individual control of jet pairs	-	●	-	-	-	-	-
	pneumatic pushbutton	-	-	-	●	-	-	-
	foil keypad for operation of all functions	●	●	●	-	●	●	-
	touch display to operate all functions	-	-	-	-	-	-	●
hygiene	KALDEWEI champagne effect	-	-	-	-	-	-	●
	integrated discharge of residual water	●	●	●	●	●	●	●
	automatic blow-drying function	-	-	●	-	-	●	●
	automatic disinfection programme	-	-	-	-	-	-	●
power	system to prevent bath running dry	●	●	-	●	●	●	●
	rated output of the individual jet motors	70 W	70 W	-	-	-	-	-
	rated output water pump	-	-	-	600 W	680 W	680 W	600 W
	rated output blower	-	-	500 W	-	-	500 W	500 W
	rated output supplementary pump for champagne effect	-	-	-	-	-	-	550 W
rated output supplementary blower for rotating jets	-	-	-	-	-	-	500 W	
optional features								
optional	underwater spotlights	●	●	●	-	●	●	●
	spectral light	●	●	●	-	●	●	●
	illuminated jets (white or blue)	●	●	-	-	-	-	-
	water heating	-	-	-	-	-	-	●
	disinfection equipment	-	-	-	-	●	●	-
drain and overflow fitting with integrated inlet	●	●	●	●	●	●	●	

* All visible parts are available on request in a wide selection of colours.



With the VIVO TURBO equipment, the whirling intensity can be smoothly adjusted.



The VIVO TURBO PLUS comfort feature offers individual control of each jet in addition to the basic set of functions.



In the VIVO VITA the whirl operation and underwater light fitting can be controlled.



VIVO AQUA System regulates also the spectral light and an automatic disinfection system.



In the VIVO VARIO ECO, the whirling intensity of the side and floor jets can be smoothly adjusted.



In the VIVO VARIO PLUS, all whirl functions can be easily finger-controlled.

SPECIAL MODELS AND ACCESSORIES WELLNESS-SYSTEMS

Accessory	Colour	available for system . . .	Order No.	EUR
LED underwater lights (light: white)	 chrome	VIVO TURBO VIVO TURBO PLUS VIVO VITA VIVO AQUA VIVO VARIO ECO VIVO VARIO PLUS		
LED spotlights spectral light	 chrome	VIVO TURBO VIVO TURBO PLUS VIVO AQUA VIVO VARIO ECO VIVO VARIO PLUS VIVO VITA		
Illuminated jets chrome	 light white light blue	VIVO TURBO VIVO TURBO PLUS		
Waste and overflow fittings with integrated inlet Viega: Multiplex Trio	chrome	VIVO TURBO VIVO TURBO PLUS VIVO VITA VIVO AQUA ECO VIVO AQUA VIVO VARIO ECO VIVO VARIO PLUS SKIN TOUCH SKIN TOUCH emotion		
Water heating		VIVO VARIO PLUS		
Disinfection equipment		VIVO AQUA VIVO VARIO ECO		
Access panels	Access panel, adjustable (15 x 15 cm – 50 x 100 cm) without ventilation plate		6872 728 40000	
	Access panel, adjustable (15 x 15 cm – 50 x 100 cm) with aluminium ventilation plate (13 x 30 cm)		6872 728 30000	
Cleaning		Order No.		EUR
Disinfectant for whirlpools 1000 ml		6876 755 50000	from 6 pieces	

ADD-ON JET PACKS



Accessory	Colour	available for system . . .	Order No.	EUR
Add-on jet pack with 4 additional jets (2 x foot / 2 x back) ^{1,2}	chrome	VIVO AQUA VIVO AQUA ECO VIVO VARIO ECO VIVO VARIO PLUS		
or				
Add-on jet pack with 8 additional jets (4 x foot / 4 x back) ¹	chrome	VIVO AQUA VIVO AQUA ECO VIVO VARIO ECO		

¹ Positioning dependent on bath model

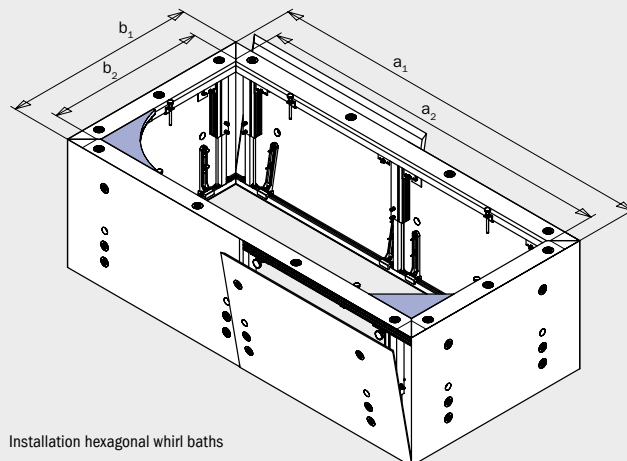
² The PLAZA DUO model is only available with add-on jet pack with 8 additional jets.

MULTIVERSO PANELLING SYSTEM FOR WHIRL BATHS

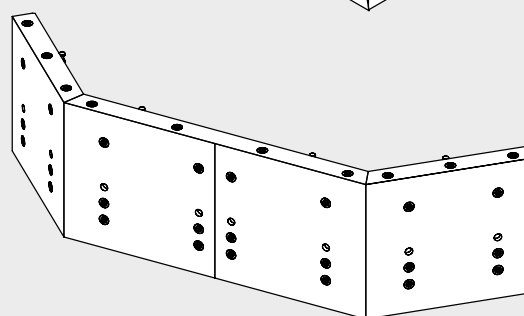
- perfectly matched to KALDEWEI whirl baths but can also be used for KALDEWEI baths without whirlpool systems
- surface for finishing with tiles or other materials
- with integrated ventilation
- speedy assembly and easy access to the whirl technology
- can be installed in a niche, corner, against the wall and free-standing



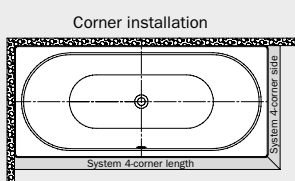
Installation freestanding rectangular, oval and octagonal whirl baths



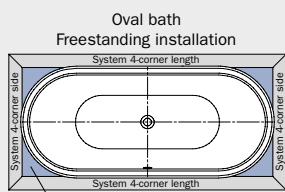
Installation hexagonal whirl baths



Installation Examples:

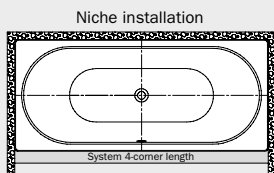


Corner installation

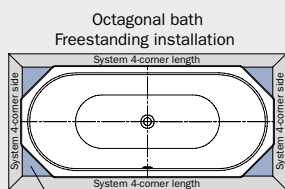


Oval bath Freestanding installation

with filler pieces for oval baths

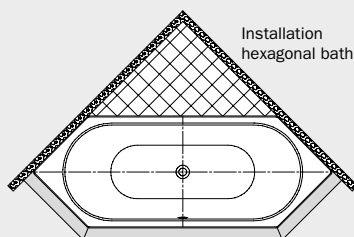


Niche installation

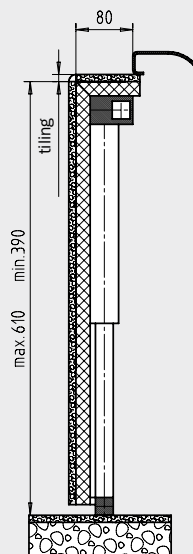


Octagonal bath Freestanding installation

with filler pieces for octagonal baths



Installation hexagonal bath



MULTIVERSO long section

Model No.	1500	1600	1700	1800	1900	2000
Length	$a_1; a_2$	1660; 1500	1760; 1600	1860; 1700	1960; 1800	2060; 1900
Installed height min.*		390	390	390	390	390
Installed height max.*		610	610	610	610	610
Panelling overlap		80	80	80	80	80

MULTIVERSO Seitenteil

Model No.	700	750	800	900	1000
Width	$b_1; b_2$	860; 700	910; 750	960; 800	1060; 900
Installed height min.*		390	390	390	390
Installed height max.*		610	610	610	610
Panelling overlap		80	80	80	80

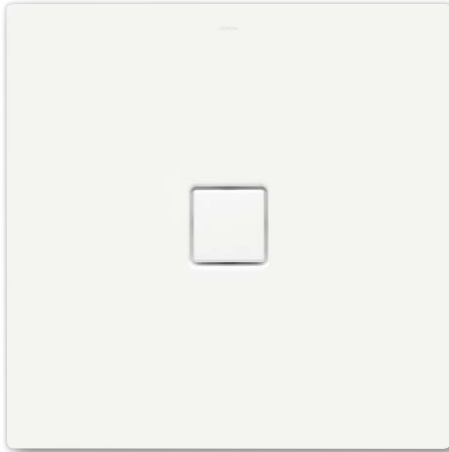
*Installation higher without tiling (see drawing)

MULTIVERSO PANELLING SYSTEM FOR WHIRL BATHS

MULTIVERSO panelling system for whirl baths	Model Order No.	EUR
rectangular whirlpool baths		
Long section	1500 550000010000	
	1600 550000020000	
	1700 550000030000	
	1800 550000040000	
	1900 550000050000	
	2000 550000250000	
Side section	700 550000060000	
	750 550000070000	
	800 550000080000	
	900 550000090000	
	1000 550000260000	
Filler pieces for oval whirl baths		
Two long sections and two side sections are required for the panelling on oval baths; order in accordance with the external dimensions (see drawing left). The following filler pieces are also required, depending on the particular design: Set of 4 filler pieces for oval baths 750 mm wide: Mod. 127, CENTRO DUO OVAL; Mod. 113, CLASSIC DUO OVAL	550000110000	
Set of 4 filler pieces for oval baths 800 mm wide: Mod. 128, CENTRO DUO OVAL; Mod. 951, VAIO DUO OVAL; Mod. 260/270, NOVOLA DUO OVAL /NOVOLA DUO OVAL STAR, Mod. 111 CLASSIC DUO OVAL	550000120000	
Set of 4 filler pieces for oval baths 900 mm wide: Mod. 184, MEGA DUO OVAL	550000130000	
At least 1 long section and 1 side section are required for panelling the Centro Duo 1 l/r; order in accordance with the external dimensions. The following filler piece is also required: 1 filler piece for Mod. 129/130, CENTRO DUO 1 l/r 1 filler piece for Mod. 136/137, CENTRO DUO 1 l/r	550000220000 550000290000	
At least 1 long section and 2 side sections are required for panelling the CENTRO DUO 2; order in accordance with the external dimensions. The following filler pieces are also required: Set of 2 filler pieces for mod. 131, CENTRO DUO 2 Set of 2 filler pieces for mod. 135, CENTRO DUO 2	550000230000 550000300000	
Filler pieces for octagonal whirl baths		
At least 2 long sections and 2 side sections are required for panelling octagonal baths, in accordance with the external dimensions (see drawing left). The following non-design based filler pieces are also required: Set of 4 filler pieces for octagonal baths (all models)	550000100000	
Complete sets for hexagonal whirl baths		
Complete for Mod. 182, MEGA DUO 6	550000210000	
Complete for Mod. 134, CENTRO DUO 6	550000190000	
Complete for Mod. 660, TWIN POOL	550000140000	
Complete for Mod. 952, VAIO DUO 6	550000160000	
Complete for Mod. 958/959, VAIO 6 /VAIO 6 STAR	550000150000	
Complete for Mod. 254/255, NOVOLA DUO 6 /NOVOLA DUO 6 STAR	550000200000	
Complete for Mod. 706/707, RONDO 6 /RONDO 6 STAR	550000180000	
Complete for Mod. 716/717, RONDO 6 /RONDO 6 STAR	550000240000	
Complete sets for special forms		
Complete for Mod. 190 PLAZA DUO right	550000310000	
Complete for Mod. 192 PLAZA DUO left	550000320000	
Not suitable for PUNTA DUO 3, VAIO DUO 3, STUDIO, ELLIPSO DUO OVAL.		

CONOFLAT

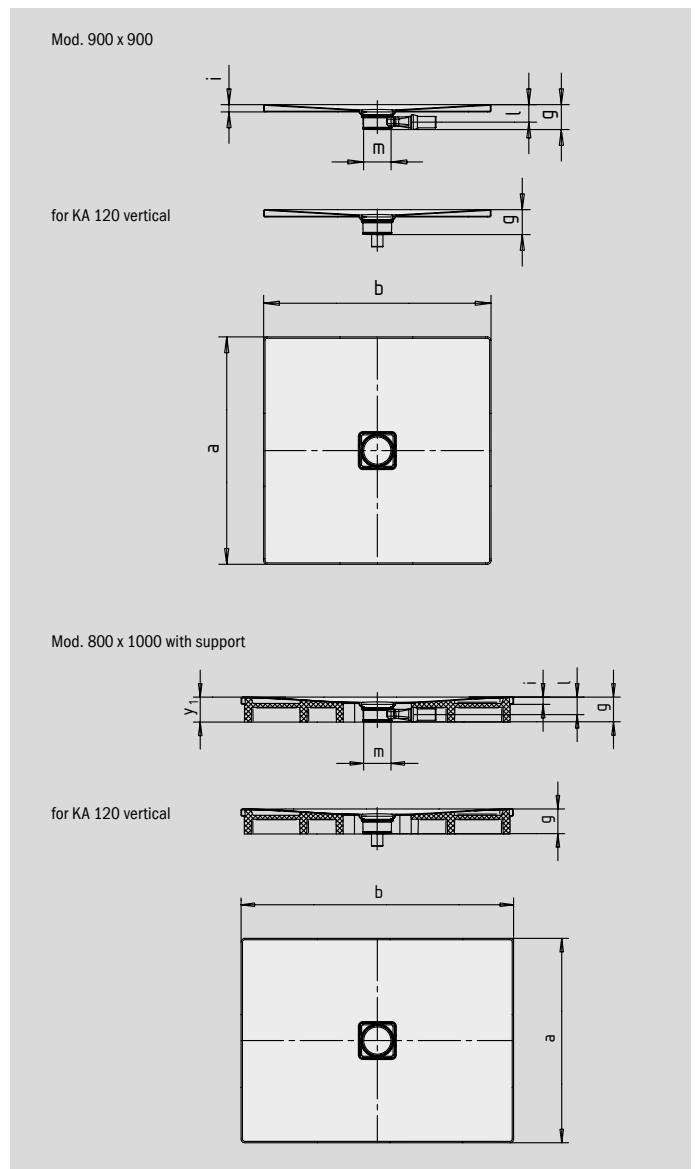
- straightlined, purist design
- high level of comfort thanks to the flat enamelled waste cover that is flush with the shower area
- can be installed to be absolutely flush with the floor
- Total height (g) with horizontal waste fitting: 107 mm; fitting height incl. cover 83 mm (compared to tiled shower areas)
- made of KALDEWEI steel enamel
- ideally complements the CONODUO bath
- designed by Sottsass Associati
- drainage capacity KA 120: 0,85 l/s
- drainage capacity KA 120 vertical: 1,4 l/s



Similar illustration

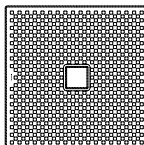
	Total height	Fitting height
KA 120	107	83
KA 120 vertical	49	83

See page 275.



SECURE⁺

Model No.		852	853	780	783	781
External length	a	800	750	800	900	800 mm
External width	b	800	900	900	900	1000 mm
Height with siphon	g	107	107	107	107	107 mm
Height of rim	i	32	32	32	32	32 mm
Diameter of drain hole	m	120	120	120	120	120 mm
Siphon connection height	l	76	76	76	76	76 mm
Height with support	y ₁	110	110	110	110	110 mm
Weight of the enamelled shower tray in kg		17	18	19	21	21
Anti-slip		492 x 492	492 x 492	492 x 492	492 x 492	492 x 492 mm
Full anti-slip		740 x 740	692 x 836	740 x 836	836 x 836	740 x 932 mm



The TÜV Rheinland confirms the following properties of KALDEWEI's anti-slip and full anti-slip finish:

- Assessment group **B** for wet barefoot areas (**DIN 51097**)
- Assessment group **R 10** for slip-resistant properties in work rooms and areas with an increased risk of slipping (**DIN 51130**)

All CONOFLAT models are available with **full anti-slip** finish.

	Waste hole	Model Order No.	Dimensions cm	Colour price groups				EUR
				I (alpine white)	II	III	IV	
CONOFLAT Special waste fitting required for CONOFLAT optional shower tray foot frame FR Plus or ESR II	∅ 12 cm	852-1 4668 0001 xxxx 853-1 4669 0001 xxxx 780-1 4650 0001 xxxx 783-1 4653 0001 xxxx 781-1 4651 0001 xxxx	80 x 80 75 x 90 80 x 90 90 x 90 80 x 100					
with polystyrene support Special waste fitting required for CONOFLAT Total height incl. support: 11 cm	∅ 12 cm	852-2 4668 4804 xxxx 853-2 4669 4804 xxxx 780-2 4650 4804 xxxx 783-2 4653 4804 xxxx 781-2 4651 4804 xxxx	80 x 80 75 x 90 80 x 90 90 x 90 80 x 100					

ACCESSORIES REQUIRED – WASTE FITTINGS (Not in combination with ESR II)

Shower tray foot frame FR Plus see page 281	5300 5300 0018 0000	Size adjustment up to max. 90 x 90 cm				
	5300 5300 0019 0000	Size adjustment up to max. 120 x 120 cm				

and

Special waste fitting KA 120* for CONOFLAT with enamelled waste cover	4091 6877 7070 xxxx					
---	--------------------------------------	--	--	--	--	--

or

Special waste fitting KA 120* vertical for CONOFLAT with enamelled waste cover	4093 6877 7078 xxxx					
--	--------------------------------------	--	--	--	--	--

WITH KALDEWEI SECURE PLUS

KALDEWEI SECURE PLUS KA 120* for CONOFLAT with enamelled waste cover	4091 6877 7070 2xxx					
--	--------------------------------------	--	--	--	--	--

or

KALDEWEI SECURE PLUS KA 120* vertical for CONOFLAT with enamelled waste cover	4093 6877 7078 2xxx					
---	--------------------------------------	--	--	--	--	--

MAS 5315 Central Support System for shower tray foot frame FR 5300 or ESR II	6880 7699 0000	for side lengths longer than 90 cm				
--	-----------------------	---------------------------------------	--	--	--	--

ACCESSORIES REQUIRED – INSTALLATION SYSTEMS

	Order No.	Dimensions of the shower tray cm	Dimensions ESR II cm	EUR			
ESR II installation system for CONOFLAT Special waste fitting KA 120 for ESR II CONOFLAT required Warning: The special waste fitting KA 120 (Mod. 4092 or 4094) must be ordered separately.	5845 7401 0000 5845 7403 0000 5845 7404 0000 5845 7405 0000 5845 7407 0000	80 x 80 75 x 90 80 x 90 90 x 90 80 x 100	82,8 x 82,8 77,8 x 92,8 82,8 x 92,8 92,8 x 92,8 82,8 x 102,8				

and

Special waste fitting KA 120* for ESR II CONOFLAT with drain off connection	4092 6877 7071 xxxx					
---	--------------------------------------	--	--	--	--	--

or

Special waste fitting KA 120* vertical for ESR II CONOFLAT with drain off connection	4094 6877 7077 xxxx					
--	--------------------------------------	--	--	--	--	--

or

KALDEWEI SECURE PLUS KA 120* for ESR II CONOFLAT with drain off connection	4092 6877 7071 2xxx					
--	--------------------------------------	--	--	--	--	--

or

KALDEWEI SECURE PLUS KA 120* vertical for ESR II CONOFLAT with drain off connection	4094 6877 7077 2xxx					
---	--------------------------------------	--	--	--	--	--

OPTIONAL SURFACE FINISHES

Extra charge for easy-clean finish	xxxxxxx3xxx					
---	-------------	--	--	--	--	--

Anti-slip Anti-slip enamel						
-----------------------------------	--	--	--	--	--	--

or

Full anti-slip Full anti-slip enamel						
---	--	--	--	--	--	--

or

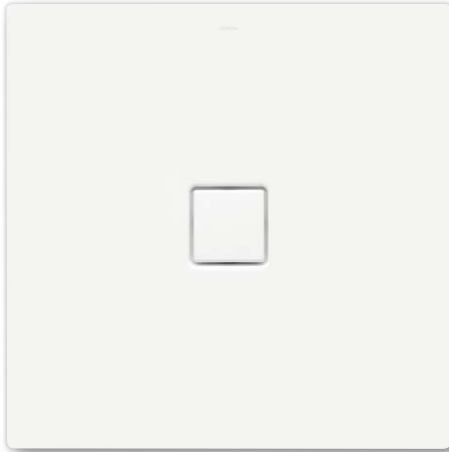
KALDEWEI SECURE PLUS (cannot be combined with easy-clean finish)	xxxxxxx2xxx					
--	-------------	--	--	--	--	--

Please take into account when ordering anti-slip and full anti-slip finish the configuration of the KALDEWEI item number (see page 354). More information can be found on page 294 - 297.

Further dimensions can be found on the following pages. Dimensions ESR II see page 279. * Waste fitting KA 120 is available with a hair catcher as an optional extra (see page 289).

CONOFLAT

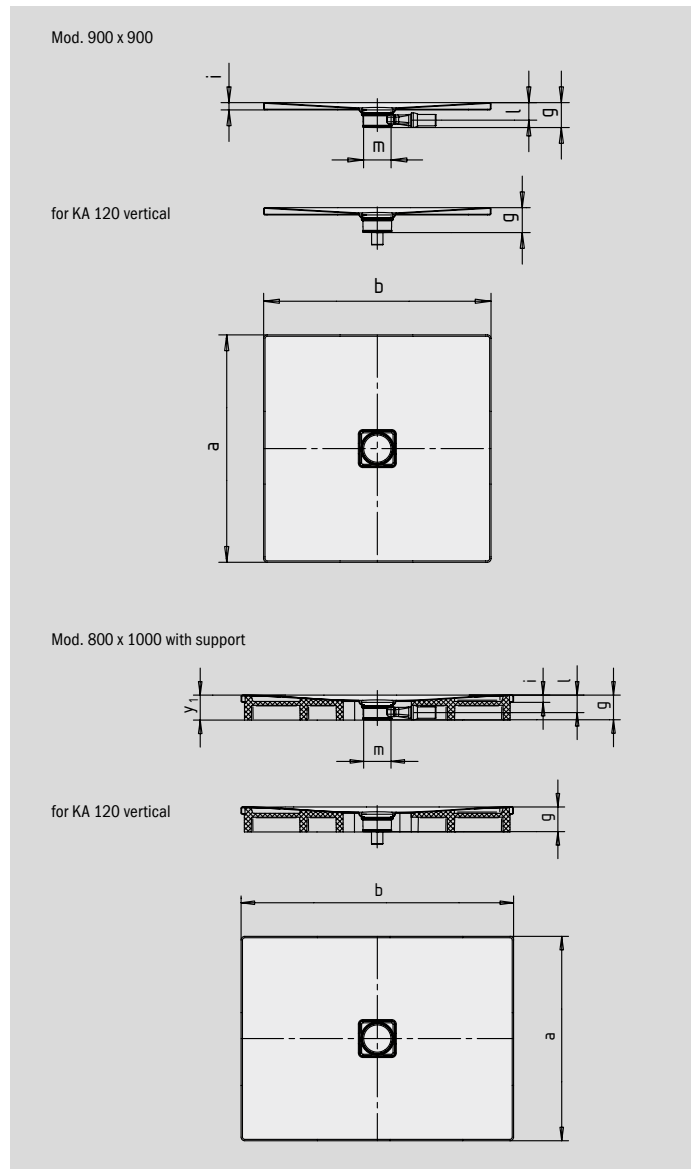
- straightlined, purist design
- high level of comfort thanks to the flat enamelled waste cover that is flush with the shower area
- can be installed to be absolutely flush with the floor
- Total height (g) with horizontal waste fitting: 107 mm; fitting height incl. cover 83 mm (compared to tiled shower areas)
- made of KALDEWEI steel enamel
- ideally complements the CONODUO bath
- designed by Sottsass Associati
- drainage capacity KA 120: 0,85 l/s
- drainage capacity KA 120 vertical: 1,4 l/s



Similar illustration

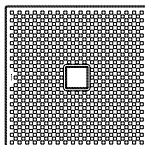
	Total height	Fitting height
KA 120	107	83
KA 120 vertical	49	83

See page 275.



SECURE⁺

Model No.		784	786	787	788	854
External length	a	900	1000	800	900	1000 mm
External width	b	1000	1000	1100	1100	1100 mm
Height with siphon	g	107	107	107	107	107 mm
Height of rim	i	32	32	32	32	32 mm
Diameter of drain hole	m	120	120	120	120	120 mm
Siphon connection height	l	76	76	76	76	76 mm
Height with support	y ₁	110	110	110	110	110 mm
Weight of the enamelled shower tray in kg		24	26	23	26	28
Anti-slip		492 x 492	492 x 492	492 x 492	492 x 492	588 x 588 mm
Full anti-slip		836 x 932	932 x 932	740 x 1028	836 x 1028	932 x 1028 mm



The TÜV Rheinland confirms the following properties of KALDEWEI's anti-slip and full anti-slip finish:

- Assessment group **B** for wet barefoot areas (**DIN 51097**)
- Assessment group **R 10** for slip-resistant properties in work rooms and areas with an increased risk of slipping (**DIN 51130**)

All CONOFLAT models are available with **full anti-slip** finish.

	Waste hole	Model Order No.	Dimensions cm	Colour price groups				EUR
				I (alpine white)	II	III	IV	
CONOFLAT Special waste fitting mandatory for CONOFLAT optional shower tray foot frame FR Plus or ESR II	∅ 12 cm	784-1 46540001xxxx	90 x 100					
		786-1 46560001xxxx	100 x 100					
		787-1 46570001xxxx	80 x 110					
		788-1 46580001xxxx	90 x 110					
		854-1 46700001xxxx	100 x 110					
with polystyrene support Special waste fitting required for CONOFLAT Total height incl. support: 11 cm	∅ 12 cm	784-2 46544804xxxx	90 x 100					
		786-2 46564804xxxx	100 x 100					
		787-2 46574804xxxx	80 x 110					
		788-2 46584804xxxx	90 x 110					
		854-2 46704804xxxx	100 x 110					

ACCESSORIES REQUIRED – WASTE FITTINGS (Not in combination with ESR II)

Shower tray foot frame FR Plus see page 281	5300 530000190000	Size adjustment up to max. 120 x 120 cm					
and							
Special waste fitting KA 120* for CONOFLAT with enamelled waste cover	4091 68777070xxxx						
or							
Special waste fitting KA 120* vertical for CONOFLAT with enamelled waste cover	4093 68777078xxxx						
WITH KALDEWEI SECURE PLUS							
KALDEWEI SECURE PLUS KA 120* for CONOFLAT with enamelled waste cover	4091 687770702xxx						
or							
KALDEWEI SECURE PLUS KA 120* vertical for CONOFLAT with enamelled waste cover	4093 687770782xxx						
MAS 5315 Central Support System for shower tray foot frame FR 5300 or ESR II	688076990000	for side lengths longer than 90 cm					

ACCESSORIES REQUIRED – INSTALLATION SYSTEMS

	Order No.	Dimensions of the shower tray cm	Dimensions ESR II cm	EUR			
ESR II installation system for CONOFLAT Special waste fitting KA 120 for ESR II CONOFLAT required Warning: The special waste fitting KA 120 (Mod. 4092 or 4094) must be ordered separately.	584574080000	90 x 100	92,8 x 102,8				
	584574090000	100 x 100	102,8 x 102,8				
	584574100000	80 x 110	82,8 x 112,8				
	584574110000	90 x 110	92,8 x 112,8				
	584574490000	100 x 110	102,8 x 112,8				
and							
Special waste fitting KA 120* for ESR II CONOFLAT with drain off connection	4092 68777071xxxx						
or							
Special waste fitting KA 120* vertical for ESR II CONOFLAT with drain off connection	4094 68777077xxxx						
or							
KALDEWEI SECURE PLUS KA 120* for ESR II CONOFLAT with drain off connection	4092 687770712xxx						
or							
KALDEWEI SECURE PLUS KA 120* vertical for ESR II CONOFLAT with drain off connection	4094 687770772xxx						

OPTIONAL SURFACE FINISHES

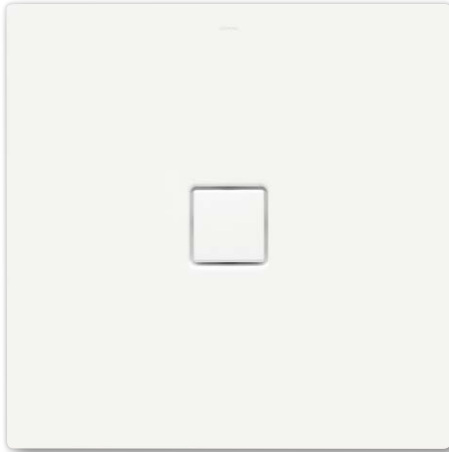
Extra charge for easy-clean finish	xxxxxxx3xxx						
Anti-slip Anti-slip enamel							
or							
Full anti-slip Full anti-slip enamel							
or							
KALDEWEI SECURE PLUS (cannot be combined with easy-clean finish)	xxxxxxx2xxx						

Please take into account when ordering anti-slip and full anti-slip finish the configuration of the KALDEWEI item number (see page 354). More information can be found on page 294-297.

Further dimensions can be found on the following pages. Dimensions ESR II see page 279. * Waste fitting KA 120 is available with a hair catcher as an optional extra (see page 289).

CONOFLAT

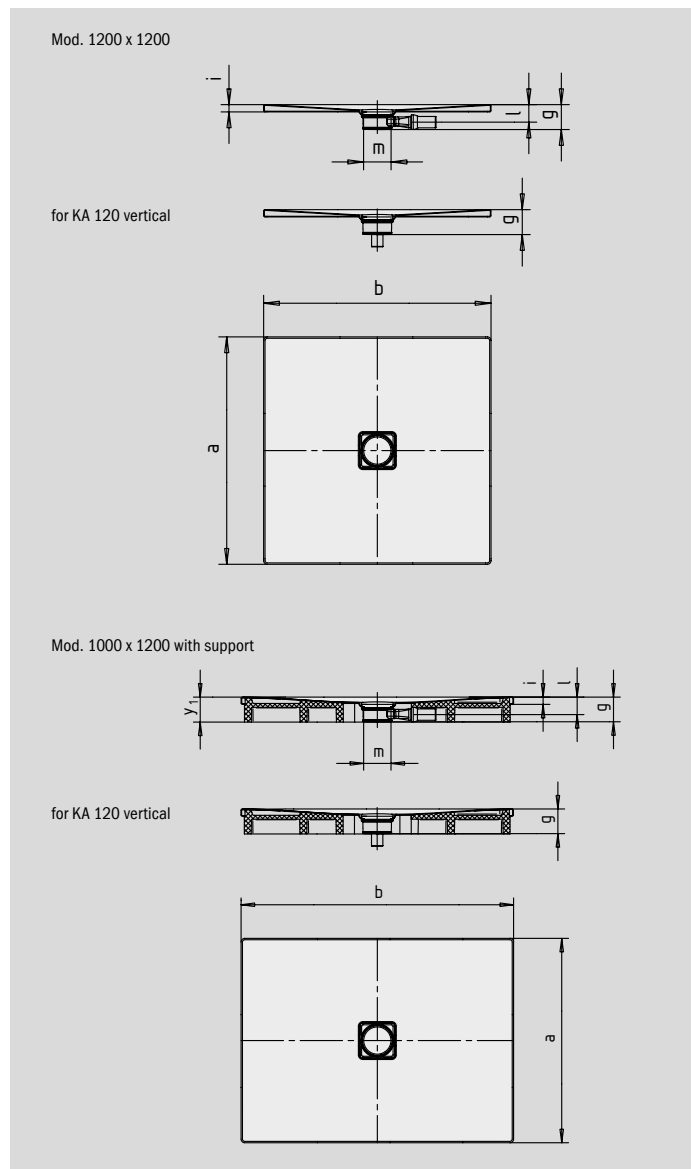
- straightlined, purist design
- high level of comfort thanks to the flat enamelled waste cover that is flush with the shower area
- can be installed to be absolutely flush with the floor
- Total height (g) with horizontal waste fitting: 107 mm; fitting height incl. cover 83 mm (compared to tiled shower areas)
- made of KALDEWEI steel enamel
- ideally complements the CONODUO bath
- designed by Sottsass Associati
- drainage capacity KA 120: 0,85 l/s
- drainage capacity KA 120 vertical: 1,4 l/s
- model 790 with full anti-slip conforms to DIN-barrier-free 18025-2 and 18040-2



Similar illustration

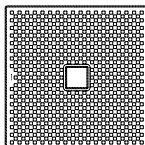
	Total height	Fitting height
KA 120	107	83
KA 120 vertical	49	83

See page 275.



SECURE⁺

Model No.	782	785	789	790	791	
External length	a	800	900	1000	1200	800 mm
External width	b	1200	1200	1200	1200	1300 mm
Height with siphon	g	107	107	107	107	107 mm
Height of rim	i	32	32	32	32	32 mm
Diameter of drain hole	m	120	120	120	120	120 mm
Siphon connection height	l	76	76	76	76	76 mm
Height with support	y ₁	110	110	110	110	110 mm
Weight of the enamelled shower tray in kg		25	28	30	36	27
Anti-slip		492 x 492	492 x 492	492 x 492	588 x 588	492 x 492 mm
Full anti-slip		740 x 1124	836 x 1124	932 x 1124	1172 x 1172	740 x 1220 mm



The TÜV Rheinland confirms the following properties of KALDEWEI's anti-slip and full anti-slip finish:

- Assessment group **B** for wet barefoot areas (**DIN 51097**)
- Assessment group **R 10** for slip-resistant properties in work rooms and areas with an increased risk of slipping (**DIN 51130**)

All CONOFLAT models are available with **full anti-slip** finish.

	Waste hole	Model Order No.	Dimensions cm	Colour price groups				EUR
				I (alpine white)	II	III	IV	
CONOFLAT Special waste fitting mandatory for CONOFLAT optional shower tray foot frame FR Plus or ESR II	∅ 12 cm	782-1 46520001xxxx	80 x 120					
		785-1 46550001xxxx	90 x 120					
		789-1 46590001xxxx	100 x 120					
		790-1 46600001xxxx	120 x 120					
		791-1 46610001xxxx	80 x 130					
with polystyrene support Special waste fitting required for CONOFLAT Total height incl. support: 11 cm	∅ 12 cm	782-2 46524804xxxx	80 x 120					
		785-2 46554804xxxx	90 x 120					
		789-2 46594804xxxx	100 x 120					
		790-2 46604804xxxx	120 x 120					
		791-2 46614804xxxx	80 x 130					

ACCESSORIES REQUIRED – WASTE FITTINGS (Not in combination with ESR II)

Shower tray foot frame FR Plus see page 281	5300 530000190000	Size adjustment up to max. 120 x 120 cm				
Shower tray foot frame FR Plus see page 281	5300 530000200000	Frame 150/180 suitable for shower trays from 130 – 180 cm				

and

Special waste fitting KA 120* for CONOFLAT with enamelled waste cover	4091 68777070xxxx					
---	-----------------------------	--	--	--	--	--

or

Special waste fitting KA 120* vertical for CONOFLAT with enamelled waste cover	4093 68777078xxxx					
--	-----------------------------	--	--	--	--	--

WITH KALDEWEI SECURE PLUS

KALDEWEI SECURE PLUS KA 120* for CONOFLAT with enamelled waste cover	4091 687770702xxx					
--	-----------------------------	--	--	--	--	--

or

KALDEWEI SECURE PLUS KA 120* vertical for CONOFLAT with enamelled waste cover	4093 687770782xxx					
---	-----------------------------	--	--	--	--	--

MAS 5315 Central Support System for Shower trays with foot frame FR 5300 Plus or ESR II installation system	688076990000	for side lengths longer than 90 cm				
---	--------------	---------------------------------------	--	--	--	--

ACCESSORIES REQUIRED – INSTALLATION SYSTEMS

	Order No.	Dimensions of the shower tray cm	Dimensions ESR II cm	EUR			
ESR II installation system for CONOFLAT Special waste fitting KA 120 for ESR II CONOFLAT required Warning: The special waste fitting KA 120 (Mod. 4092 or 4094) must be ordered separately.	584574140000	80 x 120	82,8 x 122,8				
	584574150000	90 x 120	92,8 x 122,8				
	584574160000	100 x 120	102,8 x 122,8				
	584574170000	120 x 120	122,8 x 122,8				
	584574180000	80 x 130	82,8 x 132,8				

and

Special waste fitting KA 120* for ESR II CONOFLAT with drain off connection	4092 68777071xxxx					
---	-----------------------------	--	--	--	--	--

or

Special waste fitting KA 120* vertical for ESR II CONOFLAT with drain off connection	4094 68777077xxxx					
--	-----------------------------	--	--	--	--	--

or

KALDEWEI SECURE PLUS KA 120* for ESR II CONOFLAT with drain off connection	4092 687770712xxx					
--	-----------------------------	--	--	--	--	--

or

KALDEWEI SECURE PLUS KA 120* vertical for ESR II CONOFLAT with drain off connection	4094 687770772xxx					
---	-----------------------------	--	--	--	--	--

OPTIONAL SURFACE FINISHES

Extra charge for easy-clean finish	xxxxxxx3xxx					
---	-------------	--	--	--	--	--

Anti-slip Anti-slip enamel		≤ 120 x 120				
		> 120 x 120				

or

Full anti-slip Full anti-slip enamel		≤ 120 x 120				
		> 120 x 120				

or

KALDEWEI SECURE PLUS (cannot be combined with easy-clean finish)	xxxxxxx2xxx	≤ 120 x 120				
		> 120 x 120				

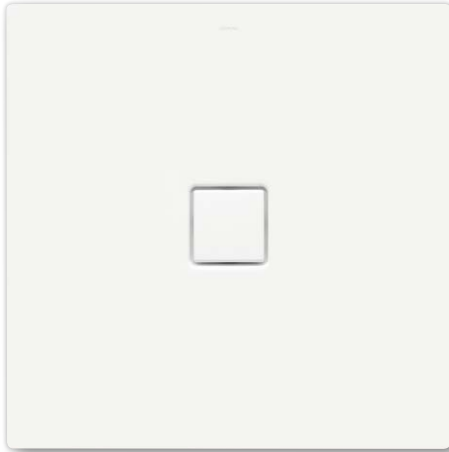
Please take into account when ordering anti-slip and full anti-slip finish the configuration of the KALDEWEI item number (see page 354). More information can be found on page 294 - 297.

Further dimensions can be found on the following pages. Dimensions ESR II see page 279. * Waste fitting KA 120 is available with a hair catcher as an optional extra (see page 289).

Further accessories can be found on page 275. Available colours see page 298. • = separate accessory. For more information on the 12-digit KALDEWEI Article Number see page 354.

CONOFLAT

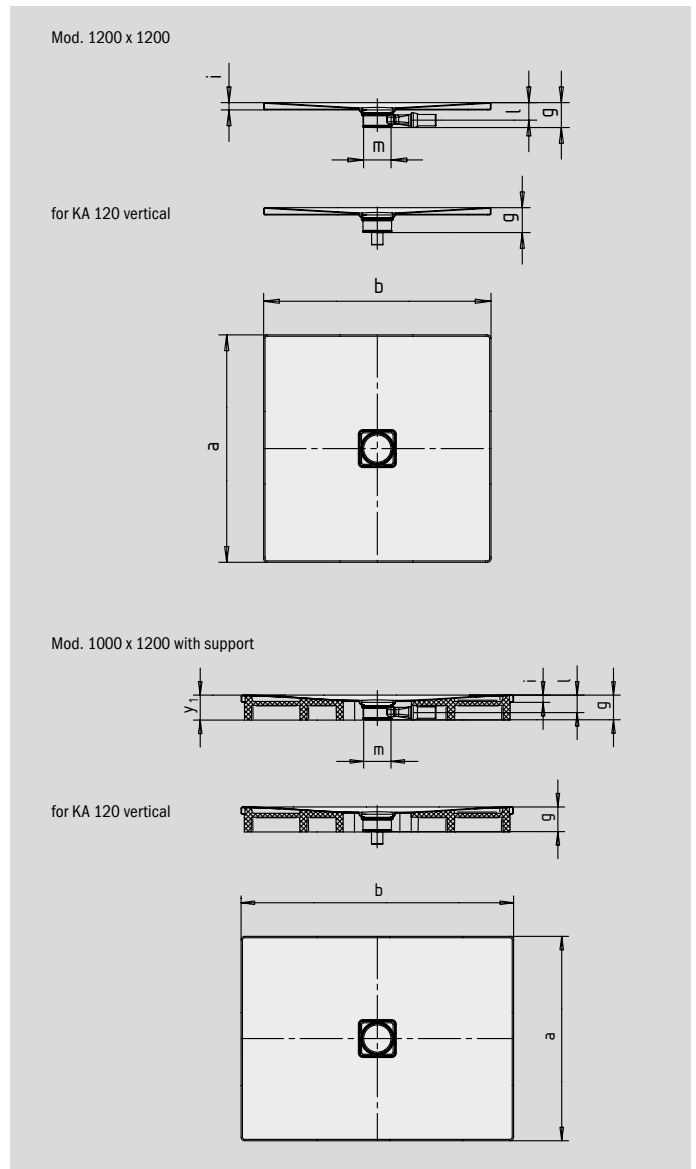
- straightlined, purist design
- high level of comfort thanks to the flat enamelled waste cover that is flush with the shower area
- can be installed to be absolutely flush with the floor
- Total height (g) with horizontal waste fitting: 107 mm; fitting height incl. cover 83 mm (compared to tiled shower areas)
- made of KALDEWEI steel enamel
- ideally complements the CONODUO bath
- designed by Sottsass Associati
- drainage capacity KA 120: 0,85 l/s
- drainage capacity KA 120 vertical: 1,4 l/s



Similar illustration

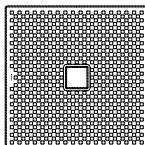
	Total height	Fitting height
KA 120	107	83
KA 120 vertical	49	83

See page 275.



SECURE⁺

Model No.		792	793	794	795	796	855
External length	a	900	1000	800	900	1000	800 mm
External width	b	1300	1300	1400	1400	1400	1500 mm
Height with siphon	g	107	107	107	107	107	107 mm
Height of rim	i	32	32	32	32	32	32 mm
Diameter of drain hole	m	120	120	120	120	120	120 mm
Siphon connection height	l	76	76	76	76	76	76 mm
Height with support	y ₁	110	110	110	110	110	110 mm
Weight of the enamelled shower tray in kg		30	34	29	32	36	33
Anti-slip		492 x 492	588 x 588	492 x 492	492 x 492	588 x 588	492 x 492 mm
Full anti-slip		836 x 1220	932 x 1220	740 x 1316	836 x 1316	932 x 1316	740 x 1412 mm



The TÜV Rheinland confirms the following properties of KALDEWEI's anti-slip and full anti-slip finish:

- Assessment group **B** for wet barefoot areas (**DIN 51097**)
- Assessment group **R 10** for slip-resistant properties in work rooms and areas with an increased risk of slipping (**DIN 51130**)

All CONOFLAT models are available with **full anti-slip** finish.

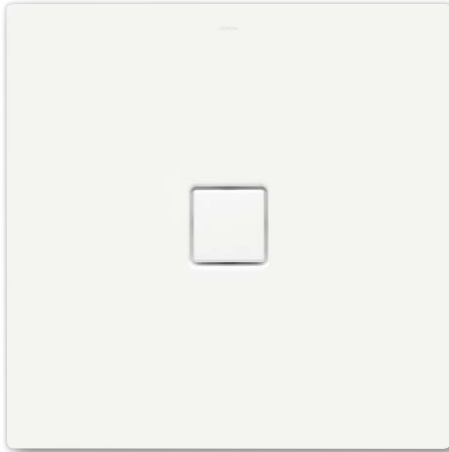
	Waste hole	Model Order No.	Dimensions cm	Colour price groups				EUR
				I (alpine white)	II	III	IV	
CONOFLAT Special waste fitting mandatory for CONOFLAT optional shower tray foot frame FR Plus or ESR II	∅ 12 cm	792-1 46620001xxxx	90 x 130					
		793-1 46630001xxxx	100 x 130					
		794-1 46640001xxxx	80 x 140					
		795-1 46650001xxxx	90 x 140					
		796-1 46660001xxxx	100 x 140					
		855-1 46710001xxxx	80 x 150					
		with polystyrene support Special waste fitting required for CONOFLAT Total height incl. support: 11 cm	∅ 12 cm	792-2 46624804xxxx	90 x 130			
793-2 46634804xxxx	100 x 130							
794-2 46644804xxxx	80 x 140							
795-2 46654804xxxx	90 x 140							
796-2 46664804xxxx	100 x 140							
855-2 46714804xxxx	80 x 150							
ACCESSORIES REQUIRED – WASTE FITTINGS (Not in combination with ESR II)								
Shower tray foot frame FR Plus see page 281		5300 530000200000	Frame 150/180 suitable for shower trays from 130 – 180 cm					
and								
Special waste fitting KA 120* for CONOFLAT with enamelled waste cover		4091 68777070xxxx						
or								
Special waste fitting KA 120* vertical for CONOFLAT with enamelled waste cover		4093 68777078xxxx						
WITH KALDEWEI SECURE PLUS								
KALDEWEI SECURE PLUS KA 120* for CONOFLAT with enamelled waste cover		4091 687770702xxx						
or								
KALDEWEI SECURE PLUS KA 120* vertical for CONOFLAT with enamelled waste cover		4093 687770782xxx						
MAS 5315 Central Support System for shower tray foot frame FR 5300 or ESR II								
		688076990000	for side lengths longer than 90 cm					
ACCESSORIES REQUIRED – INSTALLATION SYSTEMS								
		Order No.	Dimensions of the shower tray cm	Dimensions ESR II cm			EUR	
ESR II installation system for CONOFLAT Special waste fitting KA 120 for ESR II CONOFLAT required Warning: The special waste fitting KA 120 (Mod. 4092 or 4094) must be ordered separately.		584574190000	90 x 130	92,8 x 132,8				
		584574200000	100 x 130	102,8 x 132,8				
		584574230000	80 x 140	82,8 x 142,8				
		584574240000	90 x 140	92,8 x 142,8				
		584574250000	100 x 140	102,8 x 142,8				
		584574510000	80 x 150	82,8 x 152,8				
and								
Special waste fitting KA 120* for ESR II CONOFLAT with drain off connection		4092 68777071xxxx						
or								
Special waste fitting KA 120* vertical for ESR II CONOFLAT with drain off connection		4094 68777077xxxx						
or								
KALDEWEI SECURE PLUS KA 120* for ESR II CONOFLAT with drain off connection		4092 687770712xxx						
or								
KALDEWEI SECURE PLUS KA 120* vertical for ESR II CONOFLAT with drain off connection		4094 687770772xxx						
OPTIONAL SURFACE FINISHES								
Extra charge for easy-clean finish		xxxxxxx3xxx						
Anti-slip Anti-slip enamel								
or								
Full anti-slip Full anti-slip enamel								
or								
KALDEWEI SECURE PLUS (cannot be combined with easy-clean finish)		xxxxxxx2xxx						

Further dimensions can be found on the following pages. Dimensions ESR II see page 279. * Waste fitting KA 120 is available with a hair catcher as an optional extra (see page 289).

Further accessories can be found on page 275. Available colours see page 298. ● = separate accessory. For more information on the 12-digit KALDEWEI Article Number see page 354.

CONOFLAT

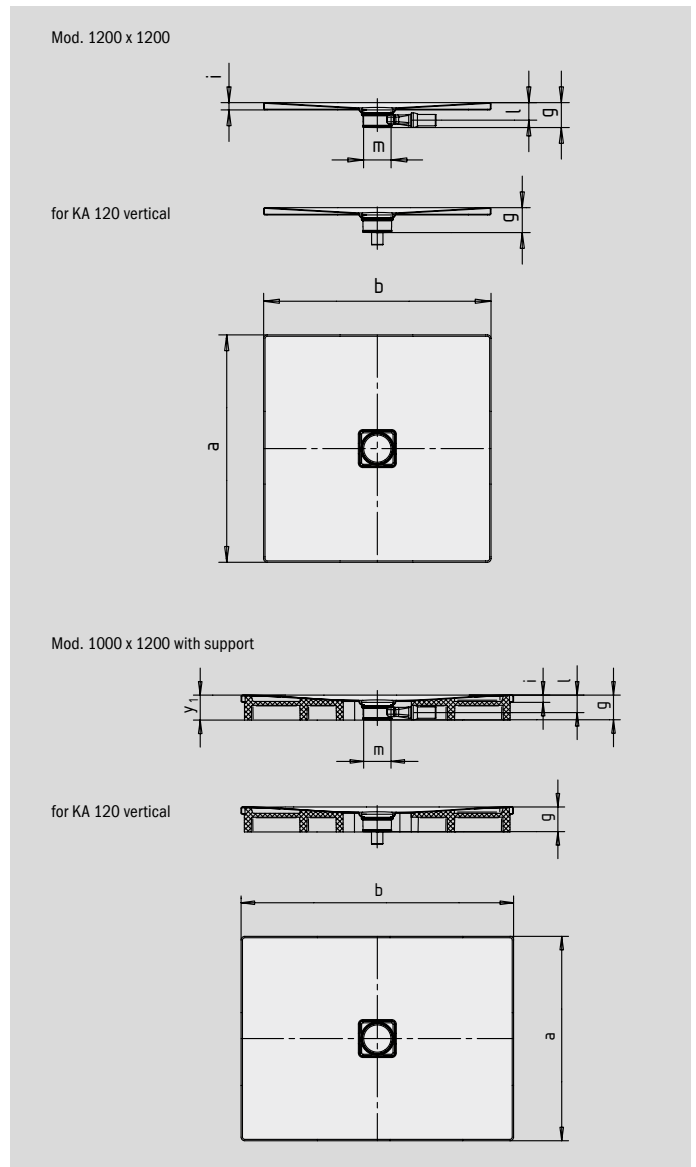
- straightlined, purist design
- high level of comfort thanks to the flat enamelled waste cover that is flush with the shower area
- can be installed to be absolutely flush with the floor
- Total height (g) with horizontal waste fitting: 107 mm; fitting height incl. cover 83 mm (compared to tiled shower areas)
- made of KALDEWEI steel enamel
- ideally complements the CONODUO bath
- designed by Sottsass Associati
- drainage capacity KA 120: 0,85 l/s
- drainage capacity KA 120 vertical: 1,4 l/s



Similar illustration

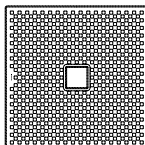
	Total height	Fitting height
KA 120	107	83
KA 120 vertical	49	83

See page 275.



SECURE⁺

Model No.		856	857	858	859	860	861
External length	a	900	1000	750	800	900	1000 mm
External width	b	1500	1500	1600	1600	1600	1600 mm
Height with siphon	g	107	107	107	107	107	107 mm
Height of rim	i	32	32	32	32	32	32 mm
Diameter of drain hole	m	120	120	120	120	120	120 mm
Siphon connection height	l	76	76	76	76	76	76 mm
Height with support	y ₁	110	110	110	110	110	110 mm
Weight of the enamelled shower tray in kg		35	38	30	35	37	41
Anti-slip		492 x 492	588 x 588	492 x 492	492 x 492	492 x 492	588 x 588 mm
Full anti-slip		836 x 1412	932 x 1412	692 x 1556	740 x 1556	836 x 1556	932 x 1556 mm



The TÜV Rheinland confirms the following properties of KALDEWEI's anti-slip and full anti-slip finish:

- Assessment group **B** for wet barefoot areas (**DIN 51097**)
- Assessment group **R 10** for slip-resistant properties in work rooms and areas with an increased risk of slipping (**DIN 51130**)

All CONOFLAT models are available with **full anti-slip** finish.

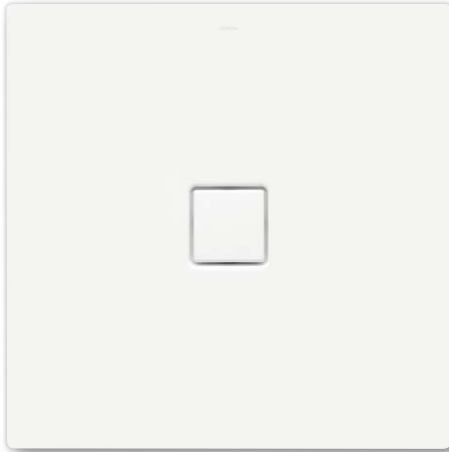
	Waste hole	Model Order No.	Dimensions cm	Colour price groups				EUR
				I (alpine white)	II	III	IV	
CONOFLAT Special waste fitting mandatory for CONOFLAT optional shower tray foot frame FR Plus or ESR II	∅ 12 cm	856-1 46720001xxxx	90 x 150					
		857-1 46730001xxxx	100 x 150					
		858-1 46740001xxxx	75 x 160					
		859-1 46750001xxxx	80 x 160					
		860-1 46760001xxxx	90 x 160					
		861-1 46770001xxxx	100 x 160					
with polystyrene support Special waste fitting required for CONOFLAT Total height incl. support: 11 cm	∅ 12 cm	856-2 46724804xxxx	90 x 150					
		857-2 46734804xxxx	100 x 150					
		858-2 46744804xxxx	75 x 160					
		859-2 46754804xxxx	80 x 160					
		860-2 46764804xxxx	90 x 160					
		861-2 46774804xxxx	100 x 160					
ACCESSORIES REQUIRED – WASTE FITTINGS (Not in combination with ESR II)								
Shower tray foot frame FR Plus see page 281	5300 530000200000	Frame 150/180 suitable for shower trays from 130 – 180 cm						
and								
Special waste fitting KA 120* for CONOFLAT with enamelled waste cover	4091 68777070xxxx							
or								
Special waste fitting KA 120* vertical for CONOFLAT with enamelled waste cover	4093 68777078xxxx							
WITH KALDEWEI SECURE PLUS								
KALDEWEI SECURE PLUS KA 120* for CONOFLAT with enamelled waste cover	4091 687770702xxx							
or								
KALDEWEI SECURE PLUS KA 120* vertical for CONOFLAT with enamelled waste cover	4093 687770782xxx							
MAS 5315 Central Support System for shower tray foot frame FR 5300 or ESR II	688076990000	for side lengths longer than 90 cm						
ACCESSORIES REQUIRED – INSTALLATION SYSTEMS								
	Order No.	Dimensions of the shower tray cm	Dimensions ESR II cm				EUR	
ESR II installation system for CONOFLAT Special waste fitting KA 120 for ESR II CONOFLAT required Warning: The special waste fitting KA 120 (Mod. 4092 or 4094) must be ordered separately.	584574280000	90 x 150	92,8 x 152,8					
	584574290000	100 x 150	102,8 x 152,8					
	584574320000	75 x 160	77,8 x 162,8					
	584574500000	80 x 160	82,8 x 162,8					
	584574330000	90 x 160	92,8 x 162,8					
	584574340000	100 x 160	102,8 x 162,8					
and								
Special waste fitting KA 120* for ESR II CONOFLAT with drain off connection	4092 68777071xxxx							
or								
Special waste fitting KA 120* vertical for ESR II CONOFLAT with drain off connection	4094 68777077xxxx							
or								
KALDEWEI SECURE PLUS KA 120* for ESR II CONOFLAT with drain off connection	4092 687770712xxx							
or								
KALDEWEI SECURE PLUS KA 120* vertical for ESR II CONOFLAT with drain off connection	4094 687770772xxx							
OPTIONAL SURFACE FINISHES								
Extra charge for easy-clean finish	xxxxxxx3xxx							
Anti-slip Anti-slip enamel								
or								
Full anti-slip Full anti-slip enamel								
or								
KALDEWEI SECURE PLUS (cannot be combined with easy-clean finish)	xxxxxxx2xxx							

Further dimensions can be found on the following pages. Dimensions ESR II see page 279. * Waste fitting KA 120 is available with a hair catcher as an optional extra (see page 289).

Further accessories can be found on page 275. Available colours see page 298. ● = separate accessory. For more information on the 12-digit KALDEWEI Article Number see page 354.

CONOFLAT

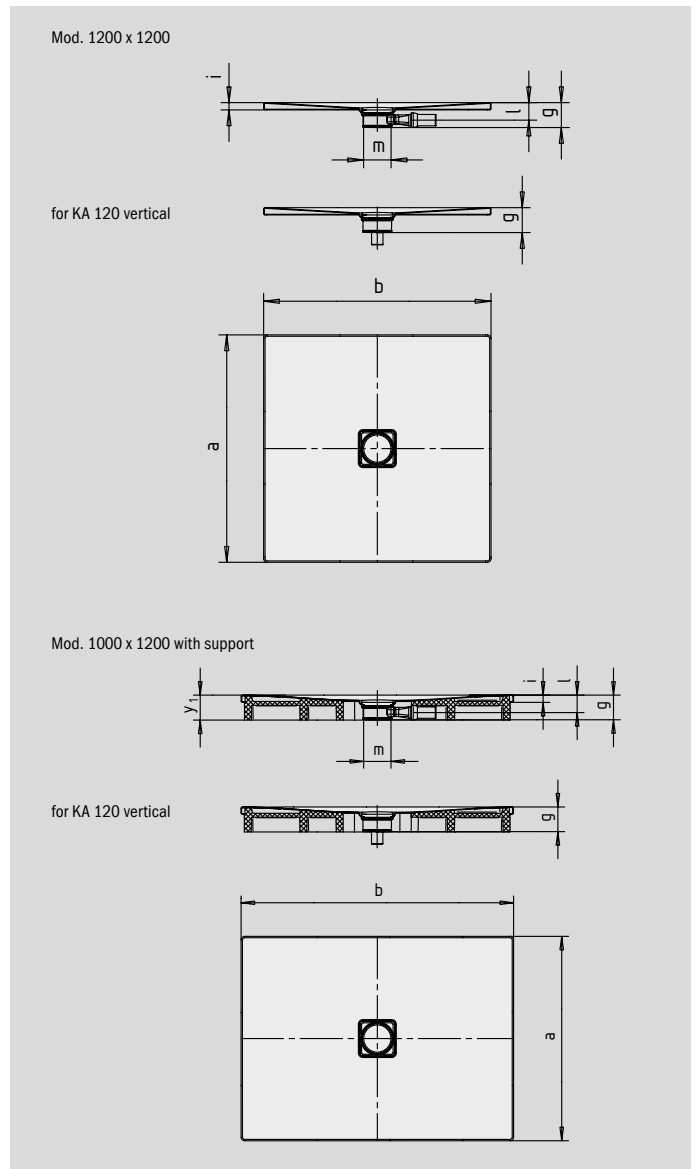
- straightlined, purist design
- high level of comfort thanks to the flat enamelled waste cover that is flush with the shower area
- can be installed to be absolutely flush with the floor
- Total height (g) with horizontal waste fitting: 107 mm; fitting height incl. cover 83 mm (compared to tiled shower areas)
- made of KALDEWEI steel enamel
- ideally complements the CONODUO bath
- designed by Sottsass Associati
- drainage capacity KA 120: 0,85 l/s
- drainage capacity KA 120 vertical: 1,4 l/s



Similar illustration

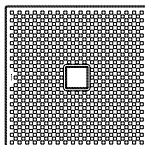
	Total height	Fitting height
KA 120	107	83
KA 120 vertical	49	83

See page 275.



SECURE⁺

Model No.		862	863	864	865	866	867
External length	a	750	900	1000	800	900	1000 mm
External width	b	1700	1700	1700	1800	1800	1800 mm
Height with siphon	g	107	107	107	107	107	107 mm
Height of rim	i	32	32	32	32	32	32 mm
Diameter of drain hole	m	120	120	120	120	120	120 mm
Siphon connection height	l	76	76	76	76	76	76 mm
Height with support	y ₁	110	110	110	110	110	110 mm
Weight of the enamelled shower tray in kg		33	40	43	37	41	46
Anti-slip		492 x 492	492 x 492	588 x 588	492 x 492	492 x 492	588 x 588 mm
Full anti-slip		692 x 1652	836 x 1652	932 x 1652	740 x 1748	836 x 1748	932 x 1748 mm



The TÜV Rheinland confirms the following properties of KALDEWEI's anti-slip and full anti-slip finish:

- Assessment group **B** for wet barefoot areas (**DIN 51097**)
- Assessment group **R 10** for slip-resistant properties in work rooms and areas with an increased risk of slipping (**DIN 51130**)

All CONOFLAT models are available with **full anti-slip** finish.

	Waste hole	Model Order No.	Dimensions cm	Colour price groups				EUR
				I (alpine white)	II	III	IV	
CONOFLAT Special waste fitting mandatory for CONOFLAT optional shower tray foot frame FR Plus or ESR II	∅ 12 cm	862-1 4678 0001 xxxx	75 x 170					
		863-1 4679 0001 xxxx	90 x 170					
		864-1 4681 0001 xxxx	100 x 170					
		865-1 4682 0001 xxxx	80 x 180					
		866-1 4683 0001 xxxx	90 x 180					
		867-1 4684 0001 xxxx	100 x 180					
with polystyrene support Special waste fitting required for CONOFLAT Total height incl. support: 11 cm	∅ 12 cm	862-2 4678 4804 xxxx	75 x 170					
		863-2 4679 4804 xxxx	90 x 170					
		864-2 4681 4804 xxxx	100 x 170					
		865-2 4682 4804 xxxx	80 x 180					
		866-2 4683 4804 xxxx	90 x 180					
		867-2 4684 4804 xxxx	100 x 180					

ACCESSORIES REQUIRED – WASTE FITTINGS (Not in combination with ESR II)

Shower tray foot frame FR Plus see page 281	5300 5300 0020 0000	Frame 150/180 suitable for shower trays from 130 – 180 cm				
and						
Special waste fitting KA 120* for CONOFLAT with enamelled waste cover	4091 6877 7070 xxxx					
or						
Special waste fitting KA 120* vertical for CONOFLAT with enamelled waste cover	4093 6877 7078 xxxx					
WITH KALDEWEI SECURE PLUS						
KALDEWEI SECURE PLUS KA 120* for CONOFLAT with enamelled waste cover	4091 6877 7070 2xxx					
or						
KALDEWEI SECURE PLUS KA 120* vertical for CONOFLAT with enamelled waste cover	4093 6877 7078 2xxx					
MAS 5315 Central Support System for shower tray foot frame FR 5300 or ESR II	6880 7699 0000	for side lengths longer than 90 cm				

ACCESSORIES REQUIRED – INSTALLATION SYSTEMS

	Order No.	Dimensions of the shower tray cm	Dimensions ESR II cm	EUR			
ESR II installation system for CONOFLAT Special waste fitting KA 120 for ESR II CONOFLAT required Warning: The special waste fitting KA 120 (Mod. 4092 or 4094) must be ordered separately.	5845 7436 0000	75 x 170	77,8 x 172,8				
	5845 7437 0000	90 x 170	92,8 x 172,8				
	5845 7438 0000	100 x 170	102,8 x 172,8				
	5845 7439 0000	80 x 180	82,8 x 182,8				
	5845 7440 0000	90 x 180	92,8 x 182,8				
	5845 7441 0000	100 x 180	102,8 x 182,8				
and							
Special waste fitting KA 120* for ESR II CONOFLAT with drain off connection	4092 6877 7071 xxxx						
or							
Special waste fitting KA 120* vertical for ESR II CONOFLAT with drain off connection	4094 6877 7077 xxxx						
or							
KALDEWEI SECURE PLUS KA 120* for ESR II CONOFLAT with drain off connection	4092 6877 7071 2xxx						
or							
KALDEWEI SECURE PLUS KA 120* vertical for ESR II CONOFLAT with drain off connection	4094 6877 7077 2xxx						
OPTIONAL SURFACE FINISHES							
Extra charge for easy-clean finish	xxxxxxx3xxx						
Anti-slip Anti-slip enamel							
or							
Full anti-slip Full anti-slip enamel							
or							
KALDEWEI SECURE PLUS (cannot be combined with easy-clean finish)	xxxxxxx2xxx						

Dimensions ESR II see page 279. *Waste fitting KA 120 is available with a hair catcher as an optional extra (see page 289).

Further accessories can be found on page 275. Available colours see page 298. ● = separate accessory. For more information on the 12-digit KALDEWEI Article Number see page 354.

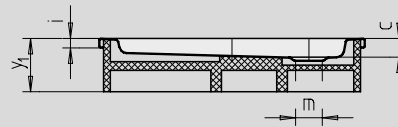
CORNEZZA

- striking pentagonal shower tray
- space-saving shape
- generous standing area with lots of room to move when showering
- elegant corner solution
- made of KALDEWEI steel enamel
- flush-fitting recessed waste cover (only in combination with the KA 90 waste fittings)

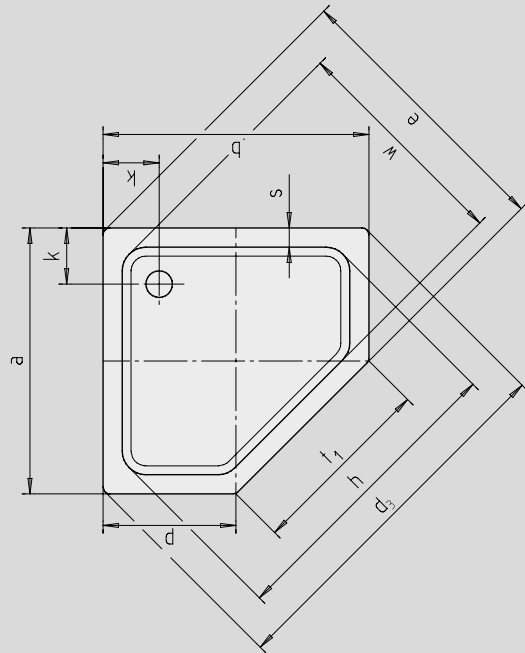
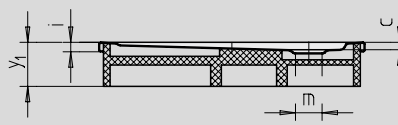


Similar illustration

Model 671 with support



Model 670 with support



Modell	Total height				Fitting height			
	670	672	671	673	670	672	671	673
KA 90	105	105	145	145	81	81	81	81
KA 90 extra flat	94	94	134	134	70	70	70	70
KA 90 ultra flat	85	85	125	125	61	61	61	61
KA 90 vertical	49	49	49	49	81	81	81	81

See page 275.

Model No.	670	672	671	673	
External length	a	900	1000	900	1000 mm
External width	b	900	1000	900	1000 mm
Depth	c	25	25	65	65 mm
Corner dimension - external length	d ₃	1254	1395	1254	1395 mm
Corner dimension - external width	e	945	1051	945	1051 mm
Corner dimension - internal length	h	1023	1164	1023	1164 mm
Height of rim	i	32	32	32	32 mm
Distance tray edge to centre of drain hole	k	190	190	190	190 mm
Diameter of drain hole	m	90	90	90	90 mm
Side length	p	450	500	450	500 mm
Width of rim	s	65	65	65	65 mm
Width of access area	t ₁	636	707	636	707 mm
Corner dimension - internal width	w	765	871	765	871 mm
Height with support	y ₁	120	120	160	160 mm
Weight of the enamelled shower tray in kg		19	23	20	24
Anti-slip		Ø 435	Ø 588	Ø 435	Ø 588 mm

Subject to technical alterations, tolerances and errors. Similar illustration.

KALDEWEI

	Waste hole	Model Order No.	Dimensions cm	Colour price groups				EUR
				I (alpine white)	II	III	IV	
CORNEZZA	∅ 9 cm	670-1 45900001xxxx 672-1 45920001xxxx 671-1 45910001xxxx 673-1 45930001xxxx	90 x 90 x 2,5 100 x 100 x 2,5 90 x 90 x 6,5 100 x 100 x 6,5					
with polystyrene support Total height incl. support: 12 cm	∅ 9 cm	670-2 45904804xxxx 672-2 45924804xxxx	90 x 90 x 2,5 100 x 100 x 2,5					
with polystyrene support Total height incl. support: 16 cm	∅ 9 cm	671-2 45914804xxxx 673-2 45934804xxxx	90 x 90 x 6,5 100 x 100 x 6,5					

ACCESSORIES REQUIRED - WASTE FITTINGS (Not in combination with ESR II)

Shower tray foot frame FR	5300 530000150000	Size adjustment up to max. 100 x 100 cm						
and								
Waste fitting KA 90 Waste cover chrome	4047 687740470999							
or								
Waste fitting KA 90 extra flat Waste cover chrome	4051 687740510999							
or								
Waste fitting KA 90 ultra flat Waste cover chrome	4451 687744510999							
or								
Waste fitting KA 90 vertical Waste cover chrome	4055 687740550999							
and								
Hair catcher KA 90	687740420000							
or								
Waste fitting diameter 9 cm vertical Discontinued in 2016. Delivery subject to availability.	4087 689710660999							
or								
Waste fitting diameter 9 cm Discontinued in 2016. Delivery subject to availability.	4088 689710650999							

All presented waste fittings include a p-trap inside the waste fittings. Please find the complete product range of waste fittings on page 288.

ACCESSORIES REQUIRED - INSTALLATION SYSTEMS

	Order No.	Dimensions of the shower tray cm	Dimensions ESR II cm	EUR				
ESR II installation system for CORNEZZA 2,5 cm Special waste fitting required for ESR II see page 276/279	584574420000 584574430000	90 x 90 100 x 100	92,8 x 92,8 102,8 x 102,8					
and								
Waste fitting KA 90 for ESR II with anti-seepage connection	4048 687740480999							
or								
Waste fitting KA 90 extra flat for ESR II with anti-seepage connection	4052 687740520999							
or								
Waste fitting KA 90 ultra flat for ESR II with anti-seepage connection	4452 687744520999							
or								
Waste fitting KA 90 vertical for ESR II with anti-seepage connection	4056 687740560999							
and								
Hair catcher KA 90	687740420000							

MAS 5305 Central Support System for shower tray foot frame FR 5300 or ESR II	688076530000	for side lengths longer than 90 cm					
--	--------------	---------------------------------------	--	--	--	--	--

OPTIONAL SURFACE FINISHES

Extra charge for easy-clean finish	xxxxxxx3xxx						
Anti-slip Anti-slip enamel							

Please take into account when ordering anti-slip and full anti-slip finish the configuration of the KALDEWEI item number (see page 354). More information can be found on page 294 - 297.

Further dimensions can be found on the following page. Dimensions ESR II see page 279.

Further accessories can be found on page 275. Available colours see page 298. ● = separate accessory. For more information on the 12-digit KALDEWEI Article Number see page 354.

SUPERPLAN

- exclusive, elegant design
- with a depth of 2,5 cm, extremely flat and ideally suited for floor level installation
- made of KALDEWEI steel enamel
- flush-fitting recessed waste cover
(only in combination with the KA 90 waste fittings)

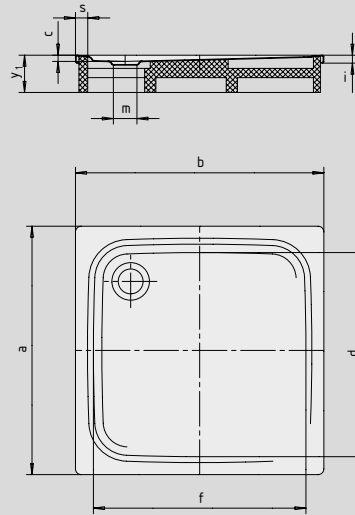


Similar illustration

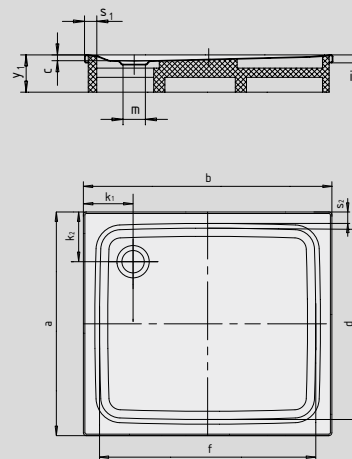
	Total height	Fitting height
KA 90	105	81
KA 90 extra flat	94	70
KA 90 ultra flat	85	61
KA 90 vertical	49	81

See page 275.

Model 386 with support

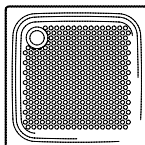


Model 400 with support



SECURE⁺

Model No.		385	386	400
External length	a	750	800	700 mm
External width	b	800	800	900 mm
Depth	c	25	25	25 mm
Internal length	d	650	690	600 mm
Internal width	f	700	690	800 mm
Height of rim	i	32	32	32 mm
Distance tray edge to centre of drain hole	k	200	200	200 mm
Diameter of drain hole	m	90	90	90 mm
Width of rim	s	50	50	50 mm
Height with support	y ₁	120	120	120 mm
Weight of the enamelled shower tray in kg		17	18	18
Anti-slip		Ø 435	Ø 435	Ø 435 mm
Full anti-slip		524 x 565	586 x 565	461 x 673 mm



The TÜV Rheinland confirms the following properties of KALDEWEI's anti-slip and full anti-slip finish:

- Assessment group **B** for wet barefoot areas (**DIN 51097**)
- Assessment group **R 10** for slip-resistant properties in work rooms and areas with an increased risk of slipping (**DIN 51130**)

All SUPERPLAN models are available with **full anti-slip** finish.

	Waste hole	Model Order No.	Dimensions cm	Colour price groups				EUR
				I (alpine white)	II	III	IV	
SUPERPLAN Shower with wheelchair access optional shower tray foot frame FR or ESR II	∅ 9 cm	385-1 4476 0001 xxxx	75 x 80 x 2,5					
		386-1 4475 0001 xxxx	80 x 80 x 2,5					
		400-1 4300 0001 xxxx	70 x 90 x 2,5					
SUPERPLAN with polystyrene support Total height incl. support: 12 cm Shower with wheelchair access	∅ 9 cm	385-2 4476 4804 xxxx	75 x 80 x 2,5					
		386-2 4475 4804 xxxx	80 x 80 x 2,5					
		400-2 4300 4804 xxxx	70 x 90 x 2,5					
ACCESSORIES REQUIRED - WASTE FITTINGS (Not in combination with ESR II)								
Shower tray foot frame FR see page 280		5300 5300 0012 0000	Size adjustment up to max. 90 x 90 cm					
and								
Waste fitting KA 90 Waste cover chrome		4047 6877 4047 0999						
or								
Waste fitting KA 90 extra flat Waste cover chrome		4051 6877 4051 0999						
or								
Waste fitting KA 90 ultra flat Waste cover chrome		4451 6877 4451 0999						
or								
Waste fitting KA 90 vertical Waste cover chrome		4055 6877 4055 0999						
and								
Hair catcher KA 90		6877 4042 0000						
or								
Waste fitting diameter 9 cm vertical Discontinued in 2016. Delivery subject to availability.		4087 6897 1066 0999						
or								
Waste fitting diameter 9 cm Discontinued in 2016. Delivery subject to availability.		4088 6897 1065 0999						
All presented waste fittings include a p-trap inside the waste fittings. Please find the complete product range of waste fittings on page 288.								
ACCESSORIES REQUIRED - INSTALLATION SYSTEMS								
		Order No.	Dimensions of the shower tray cm	Dimensions ESR II cm			EUR	
ESR II installation system Special waste fitting required for ESR II see page 276/279		5845 7400 0000	75 x 80	77,8 x 82,8				
		5845 7401 0000	80 x 80	82,8 x 82,8				
		5845 7402 0000	70 x 90	72,8 x 92,8				
and								
Waste fitting KA 90 for ESR II with anti-seepage connection		4048 6877 4048 0999						
or								
Waste fitting KA 90 extra flat for ESR II with anti-seepage connection		4052 6877 4052 0999						
or								
Waste fitting KA 90 ultra flat for ESR II with anti-seepage connection		4452 6877 4452 0999						
or								
Waste fitting KA 90 vertical for ESR II with anti-seepage connection		4056 6877 4056 0999						
and								
Hair catcher KA 90		6877 4042 0000						
MAS 5305 Central Support System for shower trays with assembly or installation frame								
		6880 7653 0000	for side lengths longer than 90 cm					
OPTIONAL SURFACE FINISHES								
Extra charge for easy-clean finish		xxxxxxx3xxx						
Anti-slip Anti-slip enamel								
or								
Full anti-slip Full anti-slip enamel								
or								
KALDEWEI SECURE PLUS (cannot be combined with easy-clean finish)		xxxxxxx2xxx						

Further dimensions can be found on the following page. Dimensions ESR II see page 279.

Further accessories can be found on page 275. Available colours see page 298. ● = separate accessory. For more information on the 12-digit KALDEWEI Article Number see page 354.

SUPERPLAN

- exclusive, elegant design
- with a depth of 2,5 cm, extremely flat and ideally suited for floor level installation
- made of KALDEWEI steel enamel
- flush-fitting recessed waste cover (only in combination with the KA 90 waste fittings)

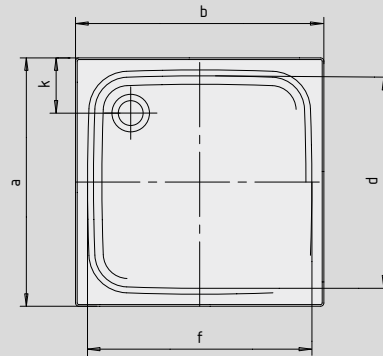
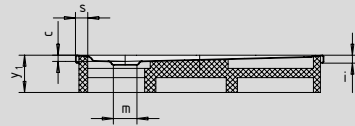


Similar illustration

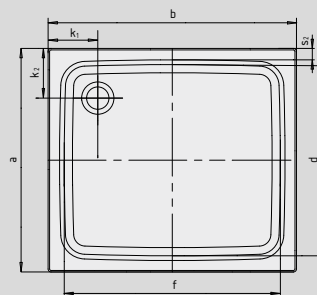
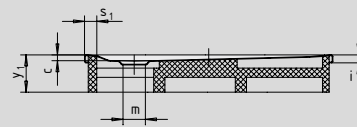
	Total height	Fitting height
KA 90	105	81
KA 90 extra flat	94	70
KA 90 ultra flat	85	61
KA 90 vertical	49	81

See page 275.

Model 390 with support

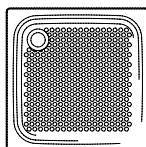


Model 388 with support



SECURE⁺

Model No.		387	388	390
External length	a	750	800	900 mm
External width	b	900	900	900 mm
Depth	c	25	25	25 mm
Internal length	d	650	700	790 mm
Internal width	f	800	800	790 mm
Height of rim	i	32	32	32 mm
Distance tray edge to centre of drain hole	k	200	200	200 mm
Diameter of drain hole	m	90	90	90 mm
Width of rim	s	50	50	50 mm
Height with support	y ₁	120	120	120 mm
Weight of the enamelled shower tray in kg		18	19	22
Anti-slip		Ø 435	Ø 435	Ø 435 mm
Full anti-slip		524 x 673	586 x 673	648 x 673 mm



The TÜV Rheinland confirms the following properties of KALDEWEI's anti-slip and full anti-slip finish:

- Assessment group **B** for wet barefoot areas (**DIN 51097**)
- Assessment group **R 10** for slip-resistant properties in work rooms and areas with an increased risk of slipping (**DIN 51130**)

All SUPERPLAN models are available with **full anti-slip** finish.

	Waste hole	Model Order No.	Dimensions cm	Colour price groups				EUR
				I (alpine white)	II	III	IV	
SUPERPLAN Shower with wheelchair access optional shower tray foot frame FR or ESR II	∅ 9 cm	387-1 44770001xxxx	75 x 90 x 2,5					
		388-1 44780001xxxx	80 x 90 x 2,5					
		390-1 44690001xxxx	90 x 90 x 2,5					
SUPERPLAN with polystyrene support Total height incl. support: 12 cm Shower with wheelchair access	∅ 9 cm	387-2 44774804xxxx	75 x 90 x 2,5					
		388-2 44784804xxxx	80 x 90 x 2,5					
		390-2 44694804xxxx	90 x 90 x 2,5					
ACCESSORIES REQUIRED – WASTE FITTINGS (Not in combination with ESR II)								
Shower tray foot frame FR see page 280		5300 530000120000	Size adjustment up to max. 90 x 90 cm					
and								
Waste fitting KA 90 Waste cover chrome		4047 687740470999						
or								
Waste fitting KA 90 extra flat Waste cover chrome		4051 687740510999						
or								
Waste fitting KA 90 ultra flat Waste cover chrome		4451 687744510999						
or								
Waste fitting KA 90 vertical Waste cover chrome		4055 687740550999						
and								
Hair catcher KA 90		687740420000						
or								
Waste fitting diameter 9 cm vertical Discontinued in 2016. Delivery subject to availability.		4087 689710660999						
or								
Waste fitting diameter 9 cm Discontinued in 2016. Delivery subject to availability.		4088 689710650999						
All presented waste fittings include a p-trap inside the waste fittings. Please find the complete product range of waste fittings on page 288.								
ACCESSORIES REQUIRED – INSTALLATION SYSTEMS								
		Order No.	Dimensions of the shower tray cm	Dimensions ESR II cm			EUR	
ESR II installation system Special waste fitting required for ESR II see page 276/279		584574030000	75 x 90	77,8 x 92,8				
		584574040000	80 x 90	82,8 x 92,8				
		584574050000	90 x 90	92,8 x 92,8				
and								
Waste fitting KA 90 for ESR II with anti-seepage connection		4048 687740480999						
or								
Waste fitting KA 90 extra flat for ESR II with anti-seepage connection		4052 687740520999						
or								
Waste fitting KA 90 ultra flat for ESR II with anti-seepage connection		4452 687744520999						
or								
Waste fitting KA 90 vertical for ESR II with anti-seepage connection		4056 687740560999						
and								
Hair catcher KA 90		687740420000						
MAS 5305 Central Support System for shower trays with assembly or installation frame								
		688076530000	for side lengths longer than 90 cm					
OPTIONAL SURFACE FINISHES								
Extra charge for easy-clean finish		xxxxxxx3xxx						
Anti-slip Anti-slip enamel								
or								
Full anti-slip Full anti-slip enamel								
or								
KALDEWEI SECURE PLUS (cannot be combined with easy-clean finish)		xxxxxxx2xxx						

Further dimensions can be found on the following page. Dimensions ESR II see page 279.

Further accessories can be found on page 275. Available colours see page 298. ● = separate accessory. For more information on the 12-digit KALDEWEI Article Number see page 354.

SUPERPLAN

- exclusive, elegant design
- with a depth of 2,5 cm, extremely flat and ideally suited for floor level installation
- made of KALDEWEI steel enamel
- flush-fitting recessed waste cover
(only in combination with the KA 90 waste fittings)

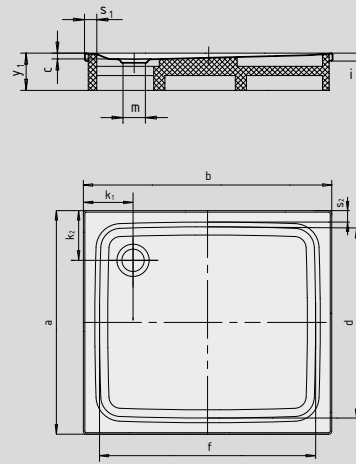


Similar illustration

	Total height	Fitting height
KA 90	105	81
KA 90 extra flat	94	70
KA 90 ultra flat	85	61
KA 90 vertical	49	81

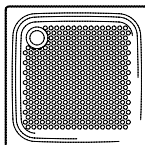
See page 275.

Model 404 with support



SECURE⁺

Model No.		402	398	404
External length	a	750	800	900 mm
External width	b	1000	1000	1000 mm
Depth	c	25	25	25 mm
Internal length	d	640	700	790 mm
Internal width	f	890	900	890 mm
Height of rim	i	32	32	32 mm
Distance tray edge to centre of drain hole	k	200	200	200 mm
Diameter of drain hole	m	90	90	90 mm
Width of rim	s	50	50	50 mm
Height with support	y ₁	120	120	120 mm
Weight of the enamelled shower tray in kg		20	21	24
Anti-slip		Ø 435	Ø 435	Ø 588 mm
Full anti-slip		542 x 781	586 x 781	649 x 781 mm



The TÜV Rheinland confirms the following properties of KALDEWEI's anti-slip and full anti-slip finish:

- Assessment group **B** for wet barefoot areas (**DIN 51097**)
- Assessment group **R 10** for slip-resistant properties in work rooms and areas with an increased risk of slipping (**DIN 51130**)

All SUPERPLAN models are available with **full anti-slip** finish.

	Waste hole	Model Order No.	Dimensions cm	Colour price groups				EUR
				I (alpine white)	II	III	IV	
SUPERPLAN Shower with wheelchair access optional shower tray foot frame FR or ESR II	∅ 9 cm	402-1 4302 0001 xxxx 398-1 4472 0001 xxxx 404-1 4304 0001 xxxx	75 x 100 x 2,5 80 x 100 x 2,5 90 x 100 x 2,5					
SUPERPLAN with polystyrene support Total height incl. support: 12 cm Shower with wheelchair access	∅ 9 cm	402-2 4302 4804 xxxx 398-2 4472 4804 xxxx 404-2 4304 4804 xxxx	75 x 100 x 2,5 80 x 100 x 2,5 90 x 100 x 2,5					
ACCESSORIES REQUIRED - WASTE FITTINGS (Not in combination with ESR II)								
Shower tray foot frame FR see page 280		5300 5300 0013 0000	Size adjustment up to max. 120 x 120 cm					
and								
Waste fitting KA 90 Waste cover chrome		4047 6877 4047 0999						
or								
Waste fitting KA 90 extra flat Waste cover chrome		4051 6877 4051 0999						
or								
Waste fitting KA 90 ultra flat Waste cover chrome		4451 6877 4451 0999						
or								
Waste fitting KA 90 vertical Waste cover chrome		4055 6877 4055 0999						
and								
Hair catcher KA 90		6877 4042 0000						
or								
Waste fitting diameter 9 cm vertical Discontinued in 2016. Delivery subject to availability.		4087 6897 1066 0999						
or								
Waste fitting diameter 9 cm Discontinued in 2016. Delivery subject to availability.		4088 6897 1065 0999						
All presented waste fittings include a p-trap inside the waste fittings. Please find the complete product range of waste fittings on page 288.								
ACCESSORIES REQUIRED - INSTALLATION SYSTEMS								
		Order No.	Dimensions of the shower tray cm	Dimensions ESR II cm				EUR
ESR II installation system Special waste fitting required for ESR II see page 276/279		5845 7406 0000 5845 7407 0000 5845 7408 0000	75 x 100 80 x 100 90 x 100	77,8 x 102,8 82,8 x 102,8 92,8 x 102,8				
and								
Waste fitting KA 90 for ESR II with anti-seepage connection		4048 6877 4048 0999						
or								
Waste fitting KA 90 extra flat for ESR II with anti-seepage connection		4052 6877 4052 0999						
or								
Waste fitting KA 90 ultra flat for ESR II with anti-seepage connection		4452 6877 4452 0999						
or								
Waste fitting KA 90 vertical for ESR II with anti-seepage connection		4056 6877 4056 0999						
and								
Hair catcher KA 90		6877 4042 0000						
MAS 5305 Central Support System for shower trays with assembly or installation frame								
		6880 7653 0000	for side lengths longer than 90 cm					
OPTIONAL SURFACE FINISHES								
Extra charge for easy-clean finish		xxxxxxx3xxx						
Anti-slip Anti-slip enamel								
or								
Full anti-slip Full anti-slip enamel								
or								
KALDEWEI SECURE PLUS (cannot be combined with easy-clean finish)		xxxxxxx2xxx						

Further dimensions can be found on the following page. Dimensions ESR II see page 279.

Further accessories can be found on page 275. Available colours see page 298. • = separate accessory. For more information on the 12-digit KALDEWEI Article Number see page 354.

SUPERPLAN

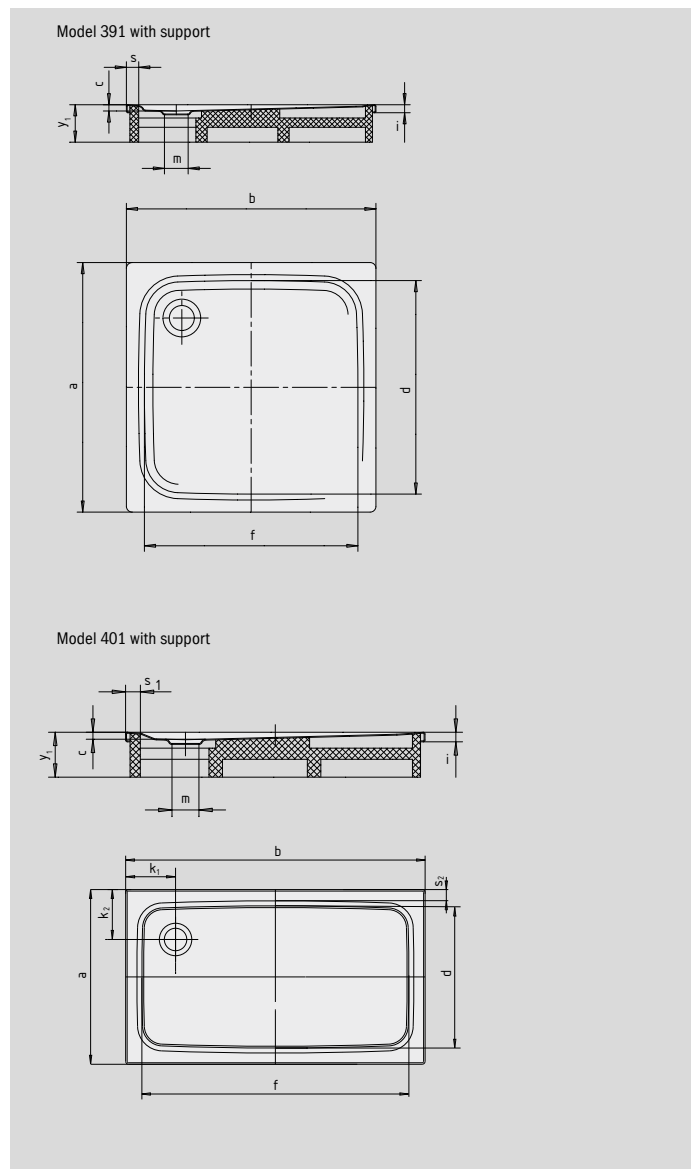
- exclusive, elegant design
- with a depth of 2,5 cm, extremely flat and ideally suited for floor level installation
- made of KALDEWEI steel enamel
- flush-fitting recessed waste cover (only in combination with the KA 90 waste fittings)
- model 399 with full anti-slip conforms to DIN-barrier-free 18025-2



Similar illustration

	Total height	Fitting height
KA 90	105	81
KA 90 extra flat	94	70
KA 90 ultra flat	85	61
KA 90 vertical	49	81

See page 275.



SECURE⁺

Model No.		391	405	401
External length	a	1000	900	700 mm
External width	b	1000	1100	1200 mm
Depth	c	25	25	25 mm
Internal length	d	870	790	590 mm
Internal width	f	870	990	1090 mm
Height of rim	i	32	32	32 mm
Distance tray edge to centre of drain hole	k ₁ ; k ₂	200	200	200 mm
Diameter of drain hole	m	90	90	90 mm
Width of rim	s ₁ ; s ₂	50	50	50 mm
Height with support	y ₁	120	120	120 mm
Weight of the enamelled shower tray in kg		27	26	23
Anti-slip		Ø 588	Ø 588	Ø 435 mm
Full anti-slip		733 x 781	649 x 853	461 x 997 mm

Mod. 399

The TÜV Rheinland confirms the following properties of KALDEWEI's anti-slip and full anti-slip finish:

- Assessment group **B** for wet barefoot areas (**DIN 51097**)
- Assessment group **R 10** for slip-resistant properties in work rooms and areas with an increased risk of slipping (**DIN 51130**)

All SUPERPLAN models are available with **full anti-slip** finish.

Mod. 399 with full anti-slip finish meets the requirements of DIN-barrier-free **18040-2**.

	Waste hole	Model Order No.	Dimensions cm	Colour price groups				EUR
				I (alpine white)	II	III	IV	
SUPERPLAN Shower with wheelchair access optional shower tray foot frame FR or ESR II	∅ 9 cm	391-1 4470 0001 xxxx 405-1 4305 0001 xxxx 401-1 4301 0001 xxxx	100 x 100 x 2,5 90 x 110 x 2,5 70 x 120 x 2,5					
SUPERPLAN with polystyrene support Total height incl. support: 12 cm Shower with wheelchair access	∅ 9 cm	391-2 4470 4804 xxxx 405-2 4305 4804 xxxx 401-2 4301 4804 xxxx	100 x 100 x 2,5 90 x 110 x 2,5 70 x 120 x 2,5					
ACCESSORIES REQUIRED – WASTE FITTINGS (Not in combination with ESR II)								
Shower tray foot frame FR see page 280		5300 5300 0013 0000	Size adjustment up to max. 120 x 120 cm					
and								
Waste fitting KA 90 Waste cover chrome		4047 6877 4047 0999						
or								
Waste fitting KA 90 extra flat Waste cover chrome		4051 6877 4051 0999						
or								
Waste fitting KA 90 ultra flat Waste cover chrome		4451 6877 4451 0999						
or								
Waste fitting KA 90 vertical Waste cover chrome		4055 6877 4055 0999						
and								
Hair catcher KA 90		6877 4042 0000						
or								
Waste fitting diameter 9 cm vertical Discontinued in 2016. Delivery subject to availability.		4087 6897 1066 0999						
or								
Waste fitting diameter 9 cm Discontinued in 2016. Delivery subject to availability.		4088 6897 1065 0999						
All presented waste fittings include a p-trap inside the waste fittings. Please find the complete product range of waste fittings on page 288.								
ACCESSORIES REQUIRED – INSTALLATION SYSTEMS								
		Order No.	Dimensions of the shower tray cm	Dimensions ESR II cm				EUR
ESR II installation system Special waste fitting required for ESR II see page 276/279		5845 7409 0000 5845 7411 0000 5845 7412 0000	100 x 100 90 x 110 70 x 120	102,8 x 102,8 92,8 x 112,8 72,8 x 122,8				
and								
Waste fitting KA 90 for ESR II with anti-seepage connection		4048 6877 4048 0999						
or								
Waste fitting KA 90 extra flat for ESR II with anti-seepage connection		4052 6877 4052 0999						
or								
Waste fitting KA 90 ultra flat for ESR II with anti-seepage connection		4452 6877 4452 0999						
or								
Waste fitting KA 90 vertical for ESR II with anti-seepage connection		4056 6877 4056 0999						
and								
Hair catcher KA 90		6877 4042 0000						
MAS 5305 Central Support System for shower trays with assembly or installation frame								
		6880 7653 0000	for side lengths longer than 90 cm					
OPTIONAL SURFACE FINISHES								
Extra charge for easy-clean finish		xxxxxxx3xxx						
Anti-slip Anti-slip enamel								
or								
Full anti-slip Full anti-slip enamel								
or								
KALDEWEI SECURE PLUS (cannot be combined with easy-clean finish)		xxxxxxx2xxx						

Dimensions ESR II see page 279.

Further accessories can be found on page 275. Available colours see page 298. ● = separate accessory. For more information on the 12-digit KALDEWEI Article Number see page 354.

SUPERPLAN

- exclusive, elegant design
- with a depth of 2,5 cm, extremely flat and ideally suited for floor level installation
- made of KALDEWEI steel enamel
- flush-fitting recessed waste cover (only in combination with the KA 90 waste fittings)
- model 399 with full anti-slip conforms to DIN-barrier-free 18025-2

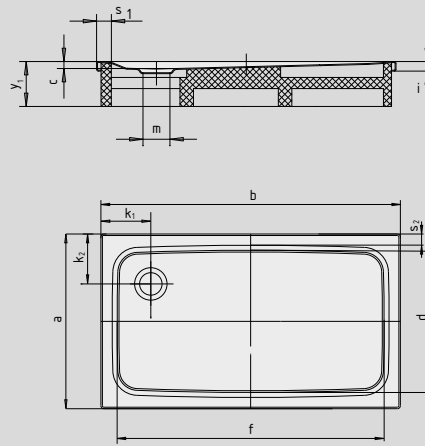


Similar illustration

	Total height	Fitting height
KA 90	105	81
KA 90 extra flat	94	70
KA 90 ultra flat	85	61
KA 90 vertical	49	81

See page 275.

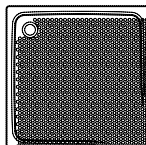
Model 403 with support



SECURE⁺

Model No.		403	389	406
External length	a	750	800	900 mm
External width	b	1200	1200	1200 mm
Depth	c	25	25	25 mm
Internal length	d	640	700	790 mm
Internal width	f	1090	1100	1090 mm
Height of rim	i	32	32	32 mm
Distance tray edge to centre of drain hole	k ₁ ; k ₂	200; 225	200	200 mm
Diameter of drain hole	m	90	90	90 mm
Width of rim	s ₁ ; s ₂	50; 75	50	50 mm
Height with support	y ₁	120	120	120 mm
Weight of the enamelled shower tray in kg		24	25	29
Anti-slip		Ø 435	Ø 588	Ø 588 mm
Full anti-slip		524 x 997	586 x 996	649 x 997 mm

Mod. 399



The TÜV Rheinland confirms the following properties of KALDEWEI's anti-slip and full anti-slip finish:

- Assessment group **B** for wet barefoot areas (**DIN 51097**)
- Assessment group **R 10** for slip-resistant properties in work rooms and areas with an increased risk of slipping (**DIN 51130**)

All SUPERPLAN models are available with **full anti-slip** finish.

Mod. 399 with full anti-slip finish meets the requirements of DIN-barrier-free **18040-2**.

	Waste hole	Model Order No.	Dimensions cm	Colour price groups				EUR
				I (alpine white)	II	III	IV	
SUPERPLAN Shower with wheelchair access optional shower tray foot frame FR or ESR II	∅ 9 cm	403-1 4303 0001 xxxx	75 x 120 x 2,5					
		389-1 4473 0001 xxxx	80 x 120 x 2,5					
		406-1 4306 0001 xxxx	90 x 120 x 2,5					
SUPERPLAN with polystyrene support Total height incl. support: 12 cm Shower with wheelchair access	∅ 9 cm	403-2 4303 4804 xxxx	75 x 120 x 2,5					
		389-2 4473 4804 xxxx	80 x 120 x 2,5					
		406-2 4306 4804 xxxx	90 x 120 x 2,5					

ACCESSORIES REQUIRED - WASTE FITTINGS (Not in combination with ESR II)

Shower tray foot frame FR see page 280	5300 5300 0013 0000	Size adjustment up to max. 120 x 120 cm					
and							
Waste fitting KA 90 Waste cover chrome	4047 6877 4047 0999						
or							
Waste fitting KA 90 extra flat Waste cover chrome	4051 6877 4051 0999						
or							
Waste fitting KA 90 ultra flat Waste cover chrome	4451 6877 4451 0999						
or							
Waste fitting KA 90 vertical Waste cover chrome	4055 6877 4055 0999						
and							
Hair catcher KA 90	6877 4042 0000						
or							
Waste fitting diameter 9 cm vertical Discontinued in 2016. Delivery subject to availability.	4087 6897 1066 0999						
or							
Waste fitting diameter 9 cm Discontinued in 2016. Delivery subject to availability.	4088 6897 1065 0999						

All presented waste fittings include a p-trap inside the waste fittings. Please find the complete product range of waste fittings on page 288.

ACCESSORIES REQUIRED - INSTALLATION SYSTEMS

	Order No.	Dimensions of the shower tray cm	Dimensions ESR II cm	EUR			
ESR II installation system Special waste fitting required for ESR II see page 276/279	5845 7413 0000	75 x 120	77,8 x 122,8				
	5845 7414 0000	80 x 120	82,8 x 122,8				
	5845 7415 0000	90 x 120	92,8 x 122,8				
and							
Waste fitting KA 90 for ESR II with anti-seepage connection	4048 6877 4048 0999						
or							
Waste fitting KA 90 extra flat for ESR II with anti-seepage connection	4052 6877 4052 0999						
or							
Waste fitting KA 90 ultra flat for ESR II with anti-seepage connection	4452 6877 4452 0999						
or							
Waste fitting KA 90 vertical for ESR II with anti-seepage connection	4056 6877 4056 0999						
and							
Hair catcher KA 90	6877 4042 0000						

MAS 5305 Central Support System for shower trays with assembly or installation frame	6880 7653 0000	for side lengths longer than 90 cm					
--	-----------------------	---------------------------------------	--	--	--	--	--

OPTIONAL SURFACE FINISHES

Extra charge for easy-clean finish	xxxxxxx3xxx						
Anti-slip Anti-slip enamel							
or							
Full anti-slip Full anti-slip enamel							
or							
KALDEWEI SECURE PLUS (cannot be combined with easy-clean finish)	xxxxxxx2xxx						

Dimensions ESR II see page 279.

Further accessories can be found on page 275. Available colours see page 298. • = separate accessory. For more information on the 12-digit KALDEWEI Article Number see page 354.

SUPERPLAN

- exclusive, elegant design
- with a depth of 2,5 cm, extremely flat and ideally suited for floor level installation
- made of KALDEWEI steel enamel
- flush-fitting recessed waste cover (only in combination with the KA 90 waste fittings)
- model 399 with full anti-slip conforms to DIN-barrier-free 18025-2

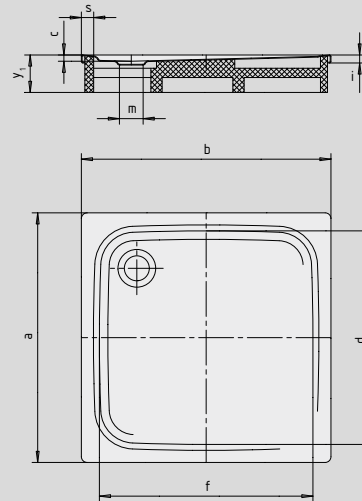


Similar illustration

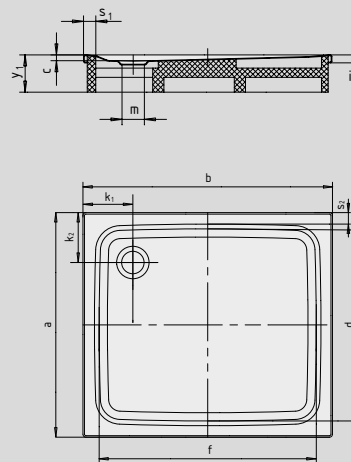
	Total height	Fitting height
KA 90	105	81
KA 90 extra flat	94	70
KA 90 ultra flat	85	61
KA 90 vertical	49	81

See page 275.

Model 399 with support



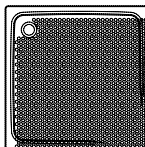
Model 407 with support



SECURE⁺

Model No.		407	399
External length	a	1000	1200 mm
External width	b	1200	1200 mm
Depth	c	25	25 mm
Internal length	d	890	1070 mm
Internal width	f	1090	1070 mm
Height of rim	i	32	32 mm
Distance tray edge to centre of drain hole	k ₁ ; k ₂	200	200 mm
Diameter of drain hole	m	90	90 mm
Width of rim	s ₁ ; s ₂	50	50 mm
Height with support	y ₁	120	120 mm
Weight of the enamelled shower tray in kg		31	37
Anti-slip		Ø 588	Ø 588 mm
Full anti-slip		773 x 997	1060 x 1105 mm

Mod. 399



The TÜV Rheinland confirms the following properties of KALDEWEI's anti-slip and full anti-slip finish:

- Assessment group **B** for wet barefoot areas (**DIN 51097**)
- Assessment group **R 10** for slip-resistant properties in work rooms and areas with an increased risk of slipping (**DIN 51130**)

All SUPERPLAN models are available with **full anti-slip** finish.

Mod. 399 with full anti-slip finish meets the requirements of DIN-barrier-free **18040-2**.



	Waste hole	Model Order No.	Dimensions cm	Colour price groups				EUR
				I (alpine white)	II	III	IV	
SUPERPLAN Shower with wheelchair access optional shower tray foot frame FR or ESR II	∅ 9 cm	407-1 43070001xxxx 399-1 44710001xxxx	100 x 120 x 2,5 120 x 120 x 2,5					
SUPERPLAN with polystyrene support Total height incl. support: 12 cm Shower with wheelchair access	∅ 9 cm	407-2 43074804xxxx 399-2 44714804xxxx	100 x 120 x 2,5 120 x 120 x 2,5					
ACCESSORIES REQUIRED – WASTE FITTINGS (Not in combination with ESR II)								
Shower tray foot frame FR see page 280		5300 530000130000	Size adjustment up to max. 120 x 120 cm					
and								
Waste fitting KA 90 Waste cover chrome		4047 687740470999						
or								
Waste fitting KA 90 extra flat Waste cover chrome		4051 687740510999						
or								
Waste fitting KA 90 ultra flat Waste cover chrome		4451 687744510999						
or								
Waste fitting KA 90 vertical Waste cover chrome		4055 687740550999						
and								
Hair catcher KA 90		687740420000						
or								
Waste fitting diameter 9 cm vertical Discontinued in 2016. Delivery subject to availability.		4087 689710660999						
or								
Waste fitting diameter 9 cm Discontinued in 2016. Delivery subject to availability.		4088 689710650999						
All presented waste fittings include a p-trap inside the waste fittings. Please find the complete product range of waste fittings on page 288.								
ACCESSORIES REQUIRED – INSTALLATION SYSTEMS								
		Order No.	Dimensions of the shower tray cm	Dimensions ESR II cm				EUR
ESR II installation system Special waste fitting required for ESR II see page 276/279		584574160000 584574170000	100 x 120 120 x 120	102,8 x 122,8 122,8 x 122,8				
and								
Waste fitting KA 90 for ESR II with anti-seepage connection		4048 687740480999						
or								
Waste fitting KA 90 extra flat for ESR II with anti-seepage connection		4052 687740520999						
or								
Waste fitting KA 90 ultra flat for ESR II with anti-seepage connection		4452 687744520999						
or								
Waste fitting KA 90 vertical for ESR II with anti-seepage connection		4056 687740560999						
and								
Hair catcher KA 90		687740420000						
MAS 5305 Central Support System for shower trays with assembly or installation frame								
		688076530000	for side lengths longer than 90 cm					
OPTIONAL SURFACE FINISHES								
Extra charge for easy-clean finish		xxxxxxx3xxx						
Anti-slip Anti-slip enamel								
or								
Full anti-slip Full anti-slip enamel								
or								
KALDEWEI SECURE PLUS (cannot be combined with easy-clean finish)		xxxxxxx2xxx						

Dimensions ESR II see page 279.

SUPERPLAN WITH LOW PROFILE SUPPORT

- System solution comprising shower tray and installation system in SUPERPLAN design
- Time and resulting cost savings due to easy installation
- suitable for almost any installation situation
- flush-fitting recessed waste cover (only in combination with the KA 90 waste fittings)
- made of KALDEWEI steel enamel

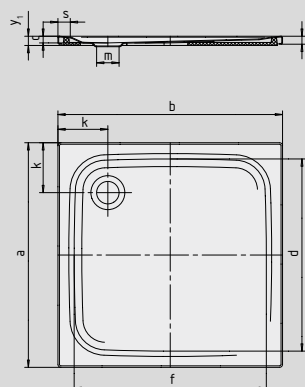


Similar illustration

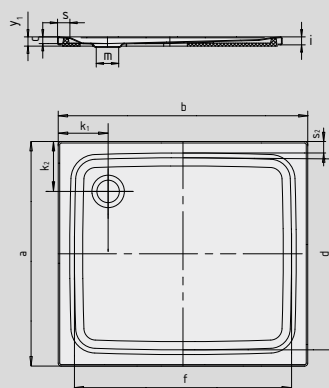
	Total height	Fitting height
KA 90	105	81
KA 90 extra flat	94	70
KA 90 ultra flat	85	61
KA 90 vertical	49	81

See page 275.

Model 390-5 with low profile support



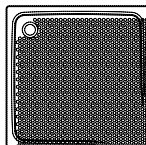
Model 404-5 with low profile support



SECURE⁺

Model No.		386-5	390-5	398-5	404-5	391-5	389-5	406-5
External length	a	800	900	800	900	1000	800	900 mm
External width	b	800	900	1000	1000	1000	1200	1200 mm
Depth	c	25	25	25	25	25	25	25 mm
Internal length	d	690	790	700	790	870	700	790 mm
Internal width	f	690	790	900	890	870	1100	1090 mm
Height of rim	i	32	32	32	32	32	32	32 mm
Distance tray edge to centre of drain hole	k ₁ ; k ₂	200	200	200	200	200	200	200 mm
Diameter of drain hole	m	90	90	90	90	90	90	90 mm
Width of rim	s	50	50	50	50	50	50	50 mm
Height with support	y ₁	37	37	37	37	37	37	37 mm
Weight of the enamelled shower tray in kg		18	22	21	24	27	25	29
Anti-slip		∅ 435	∅ 435	∅ 435	∅ 588	∅ 588	∅ 588	∅ 588 mm
Full anti-slip		586 x 565	648 x 673	586 x 781	649 x 781	733 x 781	586 x 996	649 x 997 mm

Mod. 399



The TÜV Rheinland confirms the following properties of KALDEWEI's anti-slip and full anti-slip finish:

- Assessment group **B** for wet barefoot areas (**DIN 51097**)
- Assessment group **R 10** for slip-resistant properties in work rooms and areas with an increased risk of slipping (**DIN 51130**)

All SUPERPLAN models are available with **full anti-slip** finish.



	Waste hole	Model Order No.	Dimensions cm	Colour price groups				EUR
				I (alpine white)	II	III	IV	
SUPERPLAN with low profile support Height with support: 37 mm	Ø 9 cm	386-5 447547980001	80 x 80 x 2,5					
		390-5 446947980001	90 x 90 x 2,5					
		398-5 447247980001	80 x 100 x 2,5					
		404-5 430447980001	90 x 100 x 2,5					
		391-5 447047980001	100 x 100 x 2,5					
		389-5 447347980001	80 x 120 x 2,5					
		406-5 430647980001	90 x 120 x 2,5					
		ACCESSORIES REQUIRED – WASTE FITTINGS (Not in combination with ESR II)						
Waste fitting KA 90 Waste cover chrome		4047 687740470999						
or								
Waste fitting KA 90 extra flat Waste cover chrome		4051 687740510999						
or								
Waste fitting KA 90 ultra flat Waste cover chrome		4451 687744510999						
or								
Waste fitting KA 90 vertical Waste cover chrome		4055 687740550999						
and								
Hair catcher KA 90		687740420000						
or								
Waste fitting diameter 9 cm vertical Discontinued in 2016. Delivery subject to availability.		4087 689710660999						
or								
Waste fitting diameter 9 cm Discontinued in 2016. Delivery subject to availability.		4088 689710650999						
All presented waste fittings include a p-trap inside the waste fittings. Please find the complete product range of waste fittings on page 288.								
OPTIONAL SURFACE FINISHES								
Extra charge for easy-clean finish		xxxxxxx3xxx						
Anti-slip Anti-slip enamel								
or								
Full anti-slip Full anti-slip enamel								
or								
KALDEWEI SECURE PLUS (cannot be combined with easy-clean finish)								
Please take into account when ordering anti-slip and full anti-slip finish the configuration of the KALDEWEI item number (see page 354). More information can be found on page 294 - 297.								

SUPERPLAN XXL

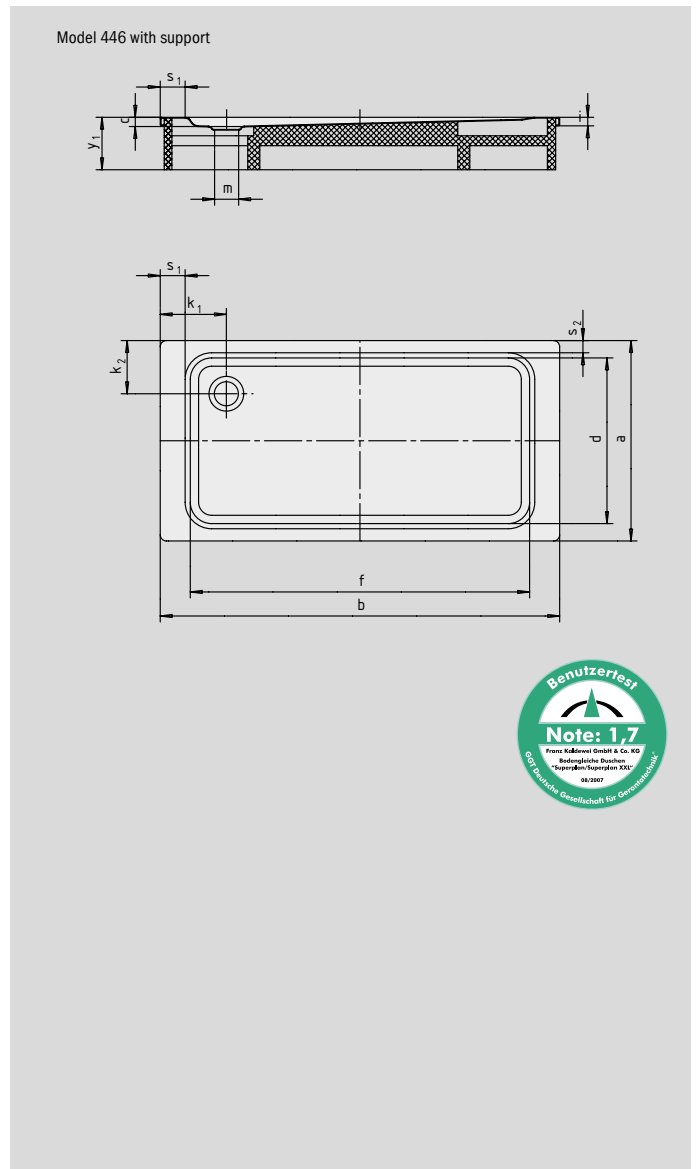
- exclusive, elegant design
- generous dimensions ideal for showering with a friend
- shallow depth ideal for floor level installation and guarantees easy access
- made of KALDEWEI steel enamel
- flush-fitting recessed waste cover (only in combination with the KA 90 waste fittings)



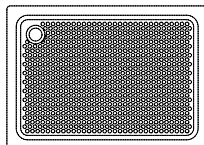
Similar illustration

Modell	Total height				Fitting height			
	438	408	410	446	438	408	410	446
KA 90	105	119	120	120	81	81	81	81
KA 90 extra flat	94	108	109	109	70	70	70	70
KA 90 ultra flat	85	99	100	100	61	61	61	61
KA 90 vertical	49	49	49	49	81	81	81	81

See page 275.



Model No.	438	408	410	446	
External length	a	900	700	750	800 mm
External width	b	1300	1400	1400	1400 mm
Depth	c	25	39	40	40 mm
Internal length	d	790	590	640	640 mm
Internal width	f	1090	1290	1300	1300 mm
Height of rim	i	32	32	32	32 mm
Distance tray edge to centre of drain hole	k ₁ ; k ₂	250; 200	200	200	200; 225 mm
Diameter of drain hole	m	90	90	90	90 mm
Width of rim	s _{1,2}	100; 50	50	50	50; 75 mm
Height with support	y ₁	120	135	135	135 mm
Weight of the enamelled shower tray in kg		31	26	28	29
Anti-slip		856 x 300	856 x 300	856 x 300	300 x 856 mm
Full anti-slip		649 x 997	461 x 1177	524 x 1177	524 x 1177 mm



The TÜV Rheinland confirms the following properties of KALDEWEI's anti-slip and full anti-slip finish:

- Assessment group **B** for wet barefoot areas (**DIN 51097**)
- Assessment group **R 10** for slip-resistant properties in work rooms and areas with an increased risk of slipping (**DIN 51130**)

All SUPERPLAN XXL models are available with **full anti-slip** finish.

	Waste hole	Model Order No.	Dimensions cm	Colour price groups				EUR
				I (alpine white)	II	III	IV	
SUPERPLAN XXL Shower with wheelchair access optional shower tray foot frame FR or ESR II	∅ 9 cm	438-1 4338 0001 xxxx	90 x 130 x 2,5					
		408-1 4308 0001 xxxx	70 x 140 x 3,9					
		410-1 4310 0001 xxxx	75 x 140 x 4,0					
		446-1 4353 0001 xxxx	80 x 140 x 4,0					
with polystyrene support Total height incl. support: 13,5 cm except Mod. 438-2: 12 cm	∅ 9 cm	438-2 4338 4804 xxxx	90 x 130 x 2,5					
		408-2 4308 4804 xxxx	70 x 140 x 3,9					
		410-2 4310 4804 xxxx	75 x 140 x 4,0					
		446-2 4353 4804 xxxx	80 x 140 x 4,0					

ACCESSORIES REQUIRED – WASTE FITTINGS (Not in combination with ESR II)

Shower tray foot frame FR see page 280	5300 5300 0014 0000	Frame 150/180 suitable for shower trays from 130 – 180 cm					
and							
Waste fitting KA 90 Waste cover chrome	4047 6877 4047 0999						
or							
Waste fitting KA 90 extra flat Waste cover chrome	4051 6877 4051 0999						
or							
Waste fitting KA 90 ultra flat Waste cover chrome	4451 6877 4451 0999						
or							
Waste fitting KA 90 vertical Waste cover chrome	4055 6877 4055 0999						
and							
Hair catcher KA 90	6877 4042 0000						
or							
Waste fitting diameter 9 cm vertical Discontinued in 2016. Delivery subject to availability.	4087 6897 1066 0999						
or							
Waste fitting diameter 9 cm Discontinued in 2016. Delivery subject to availability.	4088 6897 1065 0999						

All presented waste fittings include a p-trap inside the waste fittings. Please find the complete product range of waste fittings on page 288.

ACCESSORIES REQUIRED – INSTALLATION SYSTEMS

	Order No.	Dimensions of the shower tray cm	Dimensions ESR II cm	EUR			
				I	II	III	IV
ESR II installation system Special waste fitting required for ESR II see page 276/279	5845 7419 0000	90 x 130	92,8 x 132,8				
	5845 7421 0000	70 x 140	72,8 x 142,8				
	5845 7422 0000	75 x 140	77,8 x 142,8				
	5845 7423 0000	80 x 140	82,8 x 142,8				
and							
Waste fitting KA 90 for ESR II with anti-seepage connection	4048 6877 4048 0999						
or							
Waste fitting KA 90 extra flat for ESR II with anti-seepage connection	4052 6877 4052 0999						
or							
Waste fitting KA 90 ultra flat for ESR II with anti-seepage connection	4452 6877 4452 0999						
or							
Waste fitting KA 90 vertical for ESR II with anti-seepage connection	4056 6877 4056 0999						
and							
Hair catcher KA 90	6877 4042 0000						

MAS 5305 Central Support System for shower trays with assembly or installation frame	6880 7653 0000	for side lengths longer than 90 cm				
--	-----------------------	---------------------------------------	--	--	--	--

OPTIONAL SURFACE FINISHES

Extra charge for easy-clean finish	xxxxxxx3xxx						
Anti-slip Anti-slip enamel							
or							
Full anti-slip Full anti-slip enamel							

Please take into account when ordering anti-slip and full anti-slip finish the configuration of the KALDEWEI item number (see page 354). More information can be found on page 294-297.

Further dimensions can be found on the following page. Dimensions ESR II see page 279.

SUPERPLAN XXL

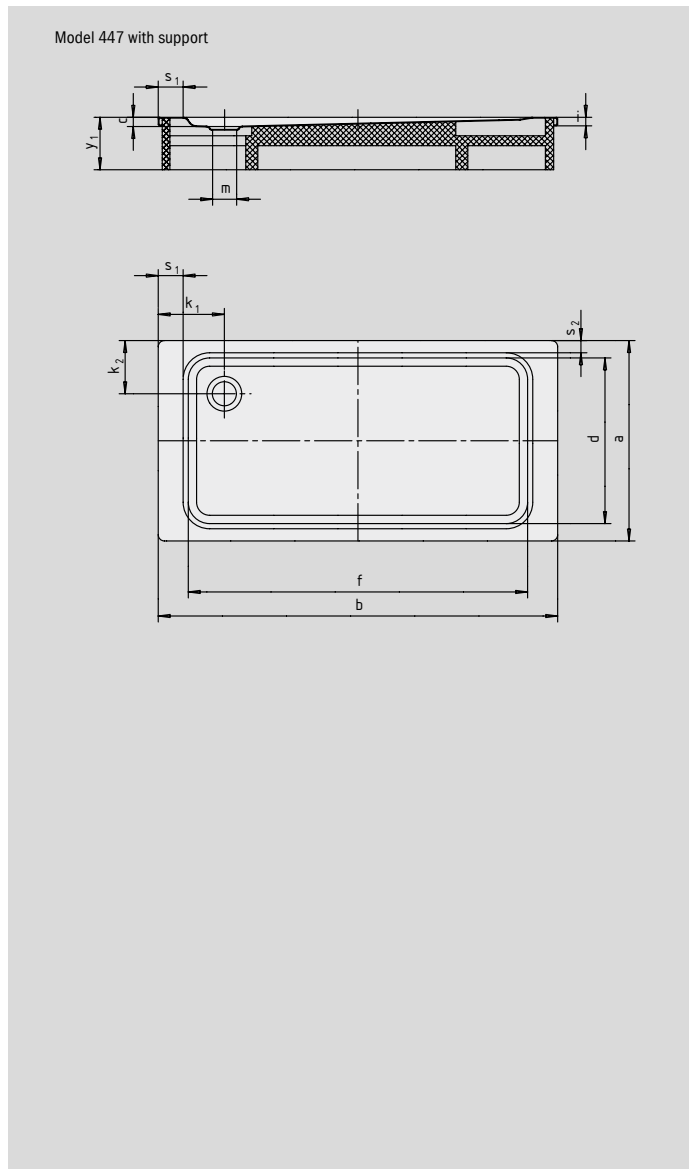
- exclusive, elegant design
- generous dimensions ideal for showering with a friend
- shallow depth ideal for floor level installation and guarantees easy access
- made of KALDEWEI steel enamel
- flush-fitting recessed waste cover (only in combination with the KA 90 waste fittings)



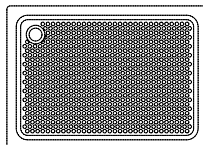
Similar illustration

Modell	Total height				Fitting height			
	429	412	433	435	429	412	433	435
KA 90	123	123	119	120	81	81	81	81
KA 90 extra flat	112	112	108	109	70	70	70	70
KA 90 ultra flat	103	103	99	100	61	61	61	61
KA 90 vertical	49	49	49	49	81	81	81	81

See page 275.



Model No.		429	412	433	435
External length	a	900	1000	700	750 mm
External width	b	1400	1400	1500	1500 mm
Depth	c	43	43	39	40 mm
Internal length	d	790	890	590	650 mm
Internal width	f	1290	1290	1290	1290 mm
Height of rim	i	32	32	32	32 mm
Distance tray edge to centre of drain hole	k ₁ ; k ₂	200	200	250; 200	250; 200 mm
Diameter of drain hole	m	90	90	90	90 mm
Width of rim	s _{1,2}	50	50	100; 50	100; 50 mm
Height with support	y ₁	135	135	135	135 mm
Weight of the enamelled shower tray in kg		33	36	27	30
Anti-slip		856 x 549	856 x 549	856 x 300	856 x 300 mm
Full anti-slip		649 x 1177	773 x 1177	461 x 1177	524 x 1177 mm



The TÜV Rheinland confirms the following properties of KALDEWEI's anti-slip and full anti-slip finish:

- Assessment group **B** for wet barefoot areas (**DIN 51097**)
- Assessment group **R 10** for slip-resistant properties in work rooms and areas with an increased risk of slipping (**DIN 51130**)

All SUPERPLAN XXL models are available with **full anti-slip** finish.

	Waste hole	Model Order No.	Dimensions cm	Colour price groups				EUR
				I (alpine white)	II	III	IV	
SUPERPLAN XXL Shower with wheelchair access optional shower tray foot frame FR or ESR II	∅ 9 cm	429-1 43290001xxxx	90 x 140 x 4,3					
		412-1 43120001xxxx	100 x 140 x 4,3					
		433-1 43330001xxxx	70 x 150 x 3,9					
		435-1 43350001xxxx	75 x 150 x 4,0					
with polystyrene support Total height incl. support: 13,5 cm except Mod. 438-2: 12 cm	∅ 9 cm	429-2 43294804xxxx	90 x 140 x 4,3					
		412-2 43124804xxxx	100 x 140 x 4,3					
		433-2 43334804xxxx	70 x 150 x 3,9					
		435-2 43354804xxxx	75 x 150 x 4,0					

ACCESSORIES REQUIRED – WASTE FITTINGS (Not in combination with ESR II)

Shower tray foot frame FR see page 280	5300 530000140000	Frame 150/180 suitable for shower trays from 130 – 180 cm					
and							
Waste fitting KA 90 Waste cover chrome	4047 687740470999						
or							
Waste fitting KA 90 extra flat Waste cover chrome	4051 687740510999						
or							
Waste fitting KA 90 ultra flat Waste cover chrome	4451 687744510999						
or							
Waste fitting KA 90 vertical Waste cover chrome	4055 687740550999						
and							
Hair catcher KA 90	687740420000						
or							
Waste fitting diameter 9 cm vertical Discontinued in 2016. Delivery subject to availability.	4087 689710660999						
or							
Waste fitting diameter 9 cm Discontinued in 2016. Delivery subject to availability.	4088 689710650999						

All presented waste fittings include a p-trap inside the waste fittings. Please find the complete product range of waste fittings on page 288.

ACCESSORIES REQUIRED – INSTALLATION SYSTEMS

	Order No.	Dimensions of the shower tray cm	Dimensions ESR II cm	EUR			
ESR II installation system Special waste fitting required for ESR II see page 276/279	584574240000	90 x 140	92,8 x 142,8				
	584574250000	100 x 140	102,8 x 142,8				
	584574260000	70 x 150	72,8 x 152,8				
	584574270000	75 x 150	77,8 x 152,8				
and							
Waste fitting KA 90 for ESR II with anti-seepage connection	4048 687740480999						
or							
Waste fitting KA 90 extra flat for ESR II with anti-seepage connection	4052 687740520999						
or							
Waste fitting KA 90 ultra flat for ESR II with anti-seepage connection	4452 687744520999						
or							
Waste fitting KA 90 vertical for ESR II with anti-seepage connection	4056 687740560999						
and							
Hair catcher KA 90	687740420000						

MAS 5305 Central Support System for shower trays with assembly or installation frame	688076530000	for side lengths longer than 90 cm				
--	--------------	---------------------------------------	--	--	--	--

OPTIONAL SURFACE FINISHES

Extra charge for easy-clean finish	xxxxxxx3xxx						
Anti-slip Anti-slip enamel							
or							
Full anti-slip Full anti-slip enamel							

Please take into account when ordering anti-slip and full anti-slip finish the configuration of the KALDEWEI item number (see page 354). More information can be found on page 294-297.

Further dimensions can be found on the following page. Dimensions ESR II see page 279.

SUPERPLAN XXL

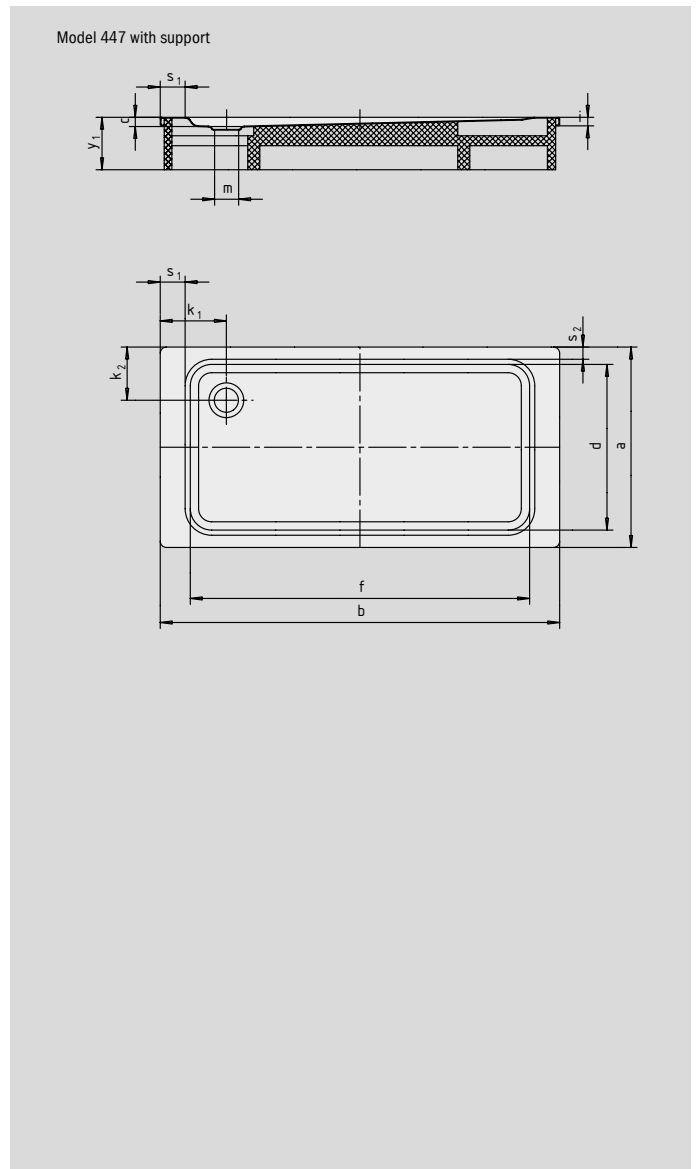
- exclusive, elegant design
- generous dimensions ideal for showering with a friend
- shallow depth ideal for floor level installation and guarantees easy access
- made of KALDEWEI steel enamel
- flush-fitting recessed waste cover
(only in combination with the KA 90 waste fittings)



Similar illustration

Modell	Total height				Fitting height			
	447	439	442	431	447	439	442	431
KA 90	120	123	123	115	81	81	81	81
KA 90 extra flat	109	112	112	108	70	70	70	70
KA 90 ultra flat	100	103	103	99	61	61	61	61
KA 90 vertical	49	49	49	49	81	81	81	81

See page 275.



Model No.	447	439	442	431	
External length	a	800	900	1000	700 mm
External width	b	1500	1500	1500	1600 mm
Depth	c	40	43	43	39 mm
Internal length	d	640	790	890	590 mm
Internal width	f	1300	1290	1290	1290 mm
Height of rim	i	32	32	32	32 mm
Distance tray edge to centre of drain hole	k ₁ ; k ₂	250; 225	250; 200	250; 200	300; 200 mm
Diameter of drain hole	m	90	90	90	90 mm
Width of rim	s ₁ ; s ₂	100; 75	100; 50	100; 50	150; 50 mm
Height with support	y ₁	135	135	135	135 mm
Weight of the enamelled shower tray in kg		31	35	38	29
Anti-slip		300 x 856	856 x 549	856 x 549	856 x 300 mm
Full anti-slip		524 x 1177	649 x 1177	773 x 1177	461 x 1177 mm

The TÜV Rheinland confirms the following properties of KALDEWEI's anti-slip and full anti-slip finish:

- Assessment group **B** for wet barefoot areas (**DIN 51097**)
- Assessment group **R 10** for slip-resistant properties in work rooms and areas with an increased risk of slipping (**DIN 51130**)

All SUPERPLAN XXL models are available with **full anti-slip** finish.



	Waste hole	Model Order No.	Dimensions cm	Colour price groups				EUR
				I (alpine white)	II	III	IV	
SUPERPLAN XXL Shower with wheelchair access optional shower tray foot frame FR or ESR II	∅ 9 cm	447-1 4436 0001 xxxx	80 x 150 x 4,0					
		439-1 4339 0001 xxxx	90 x 150 x 4,3					
		442-1 4342 0001 xxxx	100 x 150 x 4,3					
		431-1 4331 0001 xxxx	70 x 160 x 3,9					
with polystyrene support	∅ 9 cm	447-2 4436 4804 xxxx	80 x 150 x 4,0					
		439-2 4339 4804 xxxx	90 x 150 x 4,3					
		442-2 4342 4804 xxxx	100 x 150 x 4,3					
		431-2 4331 4804 xxxx	70 x 160 x 3,9					

ACCESSORIES REQUIRED – WASTE FITTINGS (Not in combination with ESR II)

Shower tray foot frame FR see page 280	5300 5300 0014 0000	Frame 150/180 suitable for shower trays from 130 – 180 cm					
and							
Waste fitting KA 90 Waste cover chrome	4047 6877 4047 0999						
or							
Waste fitting KA 90 extra flat Waste cover chrome	4051 6877 4051 0999						
or							
Waste fitting KA 90 ultra flat Waste cover chrome	4451 6877 4451 0999						
or							
Waste fitting KA 90 vertical Waste cover chrome	4055 6877 4055 0999						
and							
Hair catcher KA 90	6877 4042 0000						
or							
Waste fitting diameter 9 cm vertical Discontinued in 2016. Delivery subject to availability.	4087 6897 1066 0999						
or							
Waste fitting diameter 9 cm Discontinued in 2016. Delivery subject to availability.	4088 6897 1065 0999						

All presented waste fittings include a p-trap inside the waste fittings. Please find the complete product range of waste fittings on page 288.

ACCESSORIES REQUIRED – INSTALLATION SYSTEMS

	Order No.	Dimensions of the shower tray cm	Dimensions ESR II cm	EUR			
ESR II installation system Special waste fitting required for ESR II see page 276/279	5845 7451 0000	80 x 150	82,8 x 152,8				
	5845 7428 0000	90 x 150	92,8 x 152,8				
	5845 7429 0000	100 x 150	102,8 x 152,8				
	5845 7431 0000	70 x 160	72,8 x 162,8				
and							
Waste fitting KA 90 for ESR II with anti-seepage connection	4048 6877 4048 0999						
or							
Waste fitting KA 90 extra flat for ESR II with anti-seepage connection	4052 6877 4052 0999						
or							
Waste fitting KA 90 ultra flat for ESR II with anti-seepage connection	4452 6877 4452 0999						
or							
Waste fitting KA 90 vertical for ESR II with anti-seepage connection	4056 6877 4056 0999						
and							
Hair catcher KA 90	6877 4042 0000						

MAS 5305 Central Support System for shower tray foot frame FR 5300 or ESR II	6880 7653 0000	for side lengths longer than 90 cm				
--	-----------------------	---------------------------------------	--	--	--	--

OPTIONAL SURFACE FINISHES

Extra charge for easy-clean finish	xxxxxxx3xxx						
Anti-slip Anti-slip enamel							
or							
Full anti-slip Full anti-slip enamel							

Please take into account when ordering anti-slip and full anti-slip finish the configuration of the KALDEWEI item number (see page 354). More information can be found on page 294-297.

Further dimensions can be found on the following page. Dimensions ESR II see page 279.

SUPERPLAN XXL

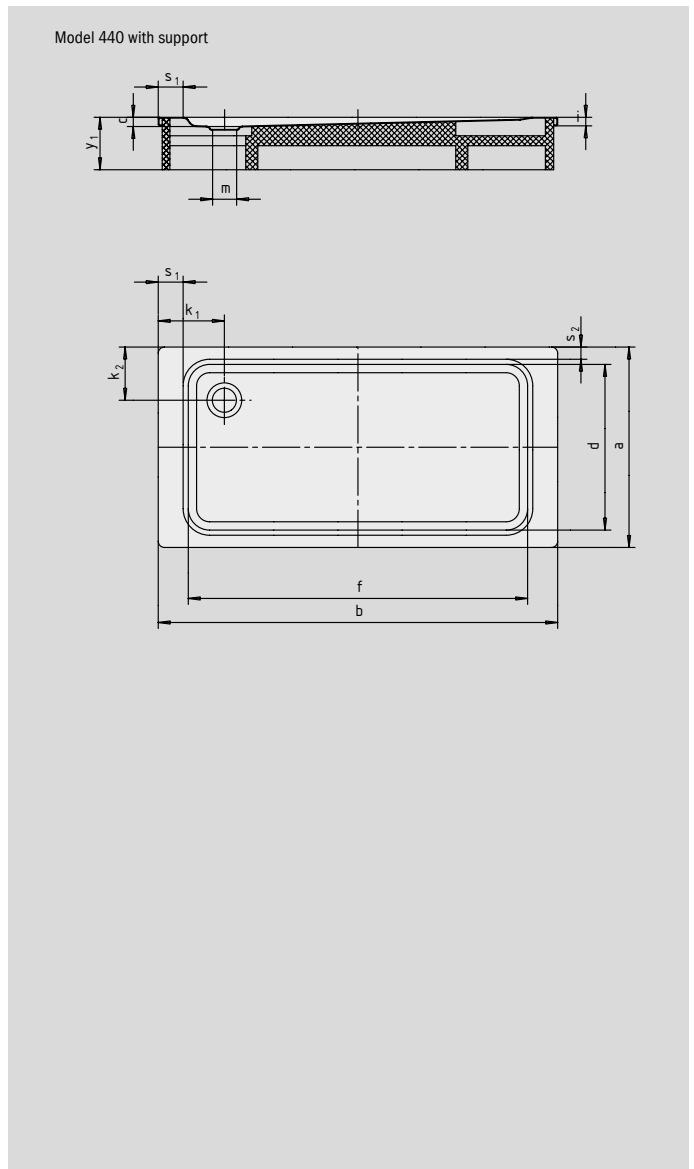
- exclusive, elegant design
- generous dimensions ideal for showering with a friend
- shallow depth ideal for floor level installation and guarantees easy access
- made of KALDEWEI steel enamel
- flush-fitting recessed waste cover
(only in combination with the KA 90 waste fittings)



Similar illustration

Modell	Total height				Fitting height			
	436	448	440	443	436	448	440	443
KA 90	120	120	123	123	81	81	81	81
KA 90 extra flat	109	109	112	112	70	70	70	70
KA 90 ultra flat	100	100	103	103	61	61	61	61
KA 90 vertical	49	49	49	49	81	81	81	81

See page 275.



Model No.	436	448	440	443	
External length	a	750	800	900	1000 mm
External width	b	1600	1600	1600	1600 mm
Depth	c	40	40	43	43 mm
Internal length	d	650	640	790	890 mm
Internal width	f	1280	1300	1280	1280 mm
Height of rim	i	32	32	32	32 mm
Distance tray edge to centre of drain hole	k ₁ ; k ₂	300; 200	300; 225	300; 200	300; 200 mm
Diameter of drain hole	m	90	90	90	90 mm
Width of rim	s ₁ ; s ₂	150; 50	150; 75	150; 50	150; 50 mm
Height with support	y ₁	135	135	135	135 mm
Weight of the enamelled shower tray in kg		31	32	37	41
Anti-slip		856 x 300	300 x 856	856 x 549	856 x 549 mm
Full anti-slip		524 x 1177	524 x 1177	649 x 1177	773 x 1177 mm

The TÜV Rheinland confirms the following properties of KALDEWEI's anti-slip and full anti-slip finish:

- Assessment group **B** for wet barefoot areas (**DIN 51097**)
- Assessment group **R 10** for slip-resistant properties in work rooms and areas with an increased risk of slipping (**DIN 51130**)

All SUPERPLAN XXL models are available with **full anti-slip** finish.



	Waste hole	Model Order No.	Dimensions cm	Colour price groups				EUR
				I (alpine white)	II	III	IV	
SUPERPLAN XXL Shower with wheelchair access optional shower tray foot frame FR or ESR II	∅ 9 cm	436-1 4336 0001 xxxx	75 x 160 x 4,0					
		448-1 4349 0001 xxxx	80 x 160 x 4,0					
		440-1 4340 0001 xxxx	90 x 160 x 4,3					
		443-1 4343 0001 xxxx	100 x 160 x 4,3					
with polystyrene support	∅ 9 cm	436-2 4336 4804 xxxx	75 x 160 x 4,0					
		448-2 4349 4804 xxxx	80 x 160 x 4,0					
		440-2 4340 4804 xxxx	90 x 160 x 4,3					
		443-2 4343 4804 xxxx	100 x 160 x 4,3					

ACCESSORIES REQUIRED – WASTE FITTINGS (Not in combination with ESR II)

Shower tray foot frame FR see page 280	5300 5300 0014 0000	Frame 150/180 suitable for shower trays from 130 – 180 cm					
and							
Waste fitting KA 90 Waste cover chrome	4047 6877 4047 0999						
or							
Waste fitting KA 90 extra flat Waste cover chrome	4051 6877 4051 0999						
or							
Waste fitting KA 90 ultra flat Waste cover chrome	4451 6877 4451 0999						
or							
Waste fitting KA 90 vertical Waste cover chrome	4055 6877 4055 0999						
and							
Hair catcher KA 90	6877 4042 0000						
or							
Waste fitting diameter 9 cm vertical Discontinued in 2016. Delivery subject to availability.	4087 6897 1066 0999						
or							
Waste fitting diameter 9 cm Discontinued in 2016. Delivery subject to availability.	4088 6897 1065 0999						

All presented waste fittings include a p-trap inside the waste fittings. Please find the complete product range of waste fittings on page 288.

ACCESSORIES REQUIRED – INSTALLATION SYSTEMS

	Order No.	Dimensions of the shower tray cm	Dimensions ESR II cm	EUR			
				I	II	III	IV
ESR II installation system Special waste fitting required for ESR II see page 276/279	5845 7432 0000	75 x 160	77,8 x 162,8				
	5845 7450 0000	80 x 160	82,8 x 162,8				
	5845 7433 0000	90 x 160	92,8 x 162,8				
	5845 7434 0000	100 x 160	102,8 x 162,8				
and							
Waste fitting KA 90 for ESR II with anti-seepage connection	4048 6877 4048 0999						
or							
Waste fitting KA 90 extra flat for ESR II with anti-seepage connection	4052 6877 4052 0999						
or							
Waste fitting KA 90 ultra flat for ESR II with anti-seepage connection	4452 6877 4452 0999						
or							
Waste fitting KA 90 vertical for ESR II with anti-seepage connection	4056 6877 4056 0999						
and							
Hair catcher KA 90	6877 4042 0000						

MAS 5305 Central Support System for shower tray foot frame FR 5300 or ESR II	6880 7653 0000	for side lengths longer than 90 cm				
--	-----------------------	---------------------------------------	--	--	--	--

OPTIONAL SURFACE FINISHES

Extra charge for easy-clean finish	xxxxxxx3xxx						
Anti-slip Anti-slip enamel							
or							
Full anti-slip Full anti-slip enamel							

Please take into account when ordering anti-slip and full anti-slip finish the configuration of the KALDEWEI item number (see page 354). More information can be found on page 294-297.

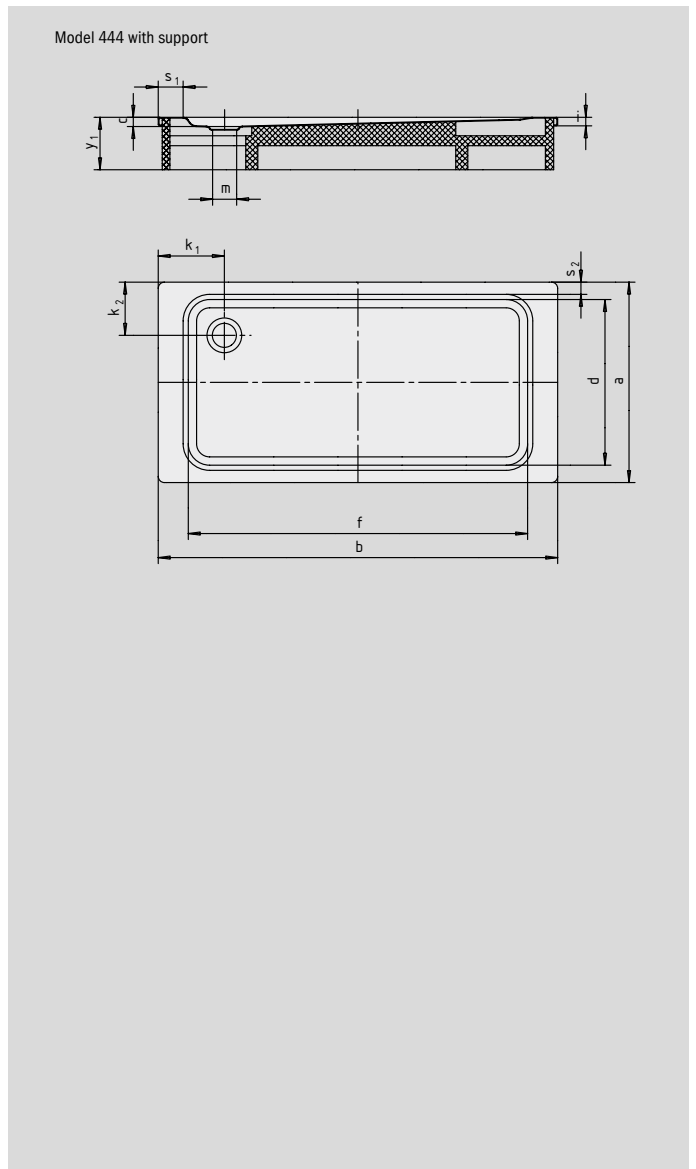
Further dimensions can be found on the following page. Dimensions ESR II see page 279.

SUPERPLAN XXL

- exclusive, elegant design
- generous dimensions ideal for showering with a friend
- shallow depth ideal for floor level installation and guarantees easy access
- made of KALDEWEI steel enamel
- flush-fitting recessed waste cover (only in combination with the KA 90 waste fittings)



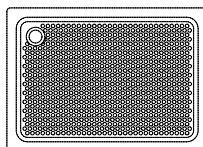
Similar illustration



Modell	Total height				Fitting height			
	409	411	430	444	409	411	430	444
KA 90	127	127	131	131	81	81	81	81
KA 90 extra flat	116	116	120	120	70	70	70	70
KA 90 ultra flat	107	107	111	111	61	61	61	61
KA 90 vertical	49	49	49	49	81	81	81	81

See page 275.

Model No.	409	411	430	444	
External length	a	700	750	900	1000 mm
External width	b	1700	1700	1700	1700 mm
Depth	c	47	47	51	51 mm
Internal length	d	590	640	790	790 mm
Internal width	f	1590	1590	1590	1590 mm
Height of rim	i	32	32	32	32 mm
Distance tray edge to centre of drain hole	k ₁ ; k ₂	200	200	200	200; 250 mm
Diameter of drain hole	m	90	90	90	90 mm
Width of rim	s _{1,2}	50	50	50	50; 100 mm
Height with support	y ₁	145	145	145	145 mm
Weight of the enamelled shower tray in kg		32	33	40	44
Anti-slip		856 x 300	856 x 300	856 x 549	856 x 549 mm
Full anti-slip		461 x 1465	524 x 1465	649 x 1465	649 x 1465 mm



The TÜV Rheinland confirms the following properties of KALDEWEI's anti-slip and full anti-slip finish:

- Assessment group **B** for wet barefoot areas (**DIN 51097**)
- Assessment group **R 10** for slip-resistant properties in work rooms and areas with an increased risk of slipping (**DIN 51130**)

All SUPERPLAN XXL models are available with **full anti-slip** finish.

	Waste hole	Model Order No.	Dimensions cm	Colour price groups				EUR
				I (alpine white)	II	III	IV	
SUPERPLAN XXL Shower with wheelchair access optional shower tray foot frame FR or ESR II	∅ 9 cm	409-1 4309 0001 xxxx	70 x 170 x 4,7					
		411-1 4311 0001 xxxx	75 x 170 x 4,7					
		430-1 4330 0001 xxxx	90 x 170 x 5,1					
		444-1 4344 0001 xxxx	100 x 170 x 5,1					
with polystyrene support Total height incl. support: 14,5 cm	∅ 9 cm	409-2 4309 4804 xxxx	70 x 170 x 4,7					
		411-2 4311 4804 xxxx	75 x 170 x 4,7					
		430-2 4330 4804 xxxx	90 x 170 x 5,1					
		444-2 4344 4804 xxxx	100 x 170 x 5,1					

ACCESSORIES REQUIRED – WASTE FITTINGS (Not in combination with ESR II)

Shower tray foot frame FR see page 280	5300 5300 0014 0000	Frame 150/180 suitable for shower trays from 130 – 180 cm					
and							
Waste fitting KA 90 Waste cover chrome	4047 6877 4047 0999						
or							
Waste fitting KA 90 extra flat Waste cover chrome	4051 6877 4051 0999						
or							
Waste fitting KA 90 ultra flat Waste cover chrome	4451 6877 4451 0999						
or							
Waste fitting KA 90 vertical Waste cover chrome	4055 6877 4055 0999						
and							
Hair catcher KA 90	6877 4042 0000						
or							
Waste fitting diameter 9 cm vertical Discontinued in 2016. Delivery subject to availability.	4087 6897 1066 0999						
or							
Waste fitting diameter 9 cm Discontinued in 2016. Delivery subject to availability.	4088 6897 1065 0999						

All presented waste fittings include a p-trap inside the waste fittings. Please find the complete product range of waste fittings on page 288.

ACCESSORIES REQUIRED – INSTALLATION SYSTEMS

	Order No.	Dimensions of the shower tray cm	Dimensions ESR II cm	EUR			
ESR II installation system Special waste fitting required for ESR II see page 276/279	5845 7435 0000	70 x 170	72,8 x 172,8				
	5845 7436 0000	75 x 170	77,8 x 172,8				
	5845 7437 0000	90 x 170	92,8 x 172,8				
	5845 7438 0000	100 x 170	102,8 x 172,8				
and							
Waste fitting KA 90 for ESR II with anti-seepage connection	4048 6877 4048 0999						
or							
Waste fitting KA 90 extra flat for ESR II with anti-seepage connection	4052 6877 4052 0999						
or							
Waste fitting KA 90 ultra flat for ESR II with anti-seepage connection	4452 6877 4452 0999						
or							
Waste fitting KA 90 vertical for ESR II with anti-seepage connection	4056 6877 4056 0999						
and							
Hair catcher KA 90	6877 4042 0000						

MAS 5305 Central Support System for shower tray foot frame FR 5300 or ESR II	6880 7653 0000	for side lengths longer than 90 cm					
--	-----------------------	---------------------------------------	--	--	--	--	--

OPTIONAL SURFACE FINISHES

Extra charge for easy-clean finish	xxxxxxx3xxx						
Anti-slip Anti-slip enamel							
or							
Full anti-slip Full anti-slip enamel							

Please take into account when ordering anti-slip and full anti-slip finish the configuration of the KALDEWEI item number (see page 354). More information can be found on page 294-297.

Further dimensions can be found on the following page. Dimensions ESR II see page 279.

SUPERPLAN XXL

- exclusive, elegant design
- generous dimensions ideal for showering with a friend
- shallow depth ideal for floor level installation and guarantees easy access
- made of KALDEWEI steel enamel
- flush-fitting recessed waste cover
(only in combination with the KA 90 waste fittings)

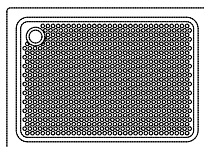


Similar illustration

Modell	Total height			Fitting height		
	437	441	445	437	441	445
KA 90	127	131	131	81	81	81
KA 90 extra flat	116	120	120	70	70	70
KA 90 ultra flat	107	111	111	61	61	61
KA 90 vertical	49	49	49	81	81	81

See page 275.

Model No.		437	441	445
External length	a	800	900	1000 mm
External width	b	1800	1800	1800 mm
Depth	c	47	51	51 mm
Internal length	d	640	790	790 mm
Internal width	f	1580	1580	1580 mm
Height of rim	i	32	32	32 mm
Distance tray edge to centre of drain hole	$k_1; k_2$	225; 250	250; 200	250; 250 mm
Diameter of drain hole	m	90	90	90 mm
Width of rim	$s_{1,2}$	100; 75	100; 50	100; 100 mm
Height with support	y_1	145	145	145 mm
Weight of the enamelled shower tray in kg		37	42	47
Anti-slip		856 x 300	856 x 549	856 x 549 mm
Full anti-slip		527 x 1465	649 x 1465	649 x 1465 mm

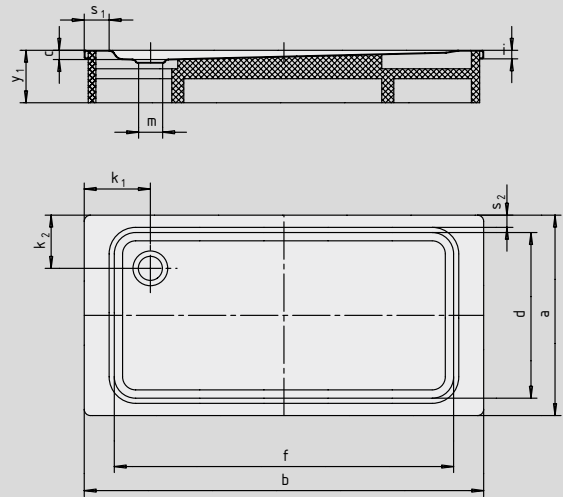


The TÜV Rheinland confirms the following properties of KALDEWEI's anti-slip and full anti-slip finish:

- Assessment group **B** for wet barefoot areas (**DIN 51097**)
- Assessment group **R 10** for slip-resistant properties in work rooms and areas with an increased risk of slipping (**DIN 51130**)

All SUPERPLAN XXL models are available with **full anti-slip** finish.

Model 445 with support



	Waste hole	Model Order No.	Dimensions cm	Colour price groups				EUR
				I (alpine white)	II	III	IV	
SUPERPLAN XXL Shower with wheelchair access optional shower tray foot frame FR or ESR II	∅ 9 cm	437-1 43370001xxxx 441-1 43410001xxxx 445-1 43450001xxxx	80 x 180 x 4,7 90 x 180 x 5,1 100 x 180 x 5,1					
with polystyrene support Total height incl. support: 14,5 cm	∅ 9 cm	437-2 43374804xxxx 441-2 43414804xxxx 445-2 43454804xxxx	80 x 180 x 4,7 90 x 180 x 5,1 100 x 180 x 5,1					
ACCESSORIES REQUIRED – WASTE FITTINGS (Not in combination with ESR II)								
Shower tray foot frame FR see page 280		5300 530000140000	Frame 150/180 suitable for shower trays from 130 – 180 cm					
and								
Waste fitting KA 90 Waste cover chrome		4047 687740470999						
or								
Waste fitting KA 90 extra flat Waste cover chrome		4051 687740510999						
or								
Waste fitting KA 90 ultra flat Waste cover chrome		4451 687744510999						
or								
Waste fitting KA 90 vertical Waste cover chrome		4055 687740550999						
and								
Hair catcher KA 90		687740420000						
or								
Waste fitting diameter 9 cm vertical Discontinued in 2016. Delivery subject to availability.		4087 689710660999						
or								
Waste fitting diameter 9 cm Discontinued in 2016. Delivery subject to availability.		4088 689710650999						
All presented waste fittings include a p-trap inside the waste fittings. Please find the complete product range of waste fittings on page 288.								
ACCESSORIES REQUIRED – INSTALLATION SYSTEMS								
		Order No.	Dimensions of the shower tray cm	Dimensions ESR II cm				EUR
ESR II installation system Special waste fitting required for ESR II see page 276/279		584574390000 584574400000 584574410000	80 x 180 90 x 180 100 x 180	82,8 x 182,8 92,8 x 182,8 102,8 x 182,8				
and								
Waste fitting KA 90 for ESR II with anti-seepage connection		4048 687740480999						
or								
Waste fitting KA 90 extra flat for ESR II with anti-seepage connection		4052 687740520999						
or								
Waste fitting KA 90 ultra flat for ESR II with anti-seepage connection		4452 687744520999						
or								
Waste fitting KA 90 vertical for ESR II with anti-seepage connection		4056 687740560999						
and								
Hair catcher KA 90		687740420000						
MAS 5305 Central Support System for shower tray foot frame FR 5300 or ESR II								
		688076530000	for side lengths longer than 90 cm					
OPTIONAL SURFACE FINISHES								
Extra charge for easy-clean finish		xxxxxxx3xxx						
Anti-slip Anti-slip enamel								
or								
Full anti-slip Full anti-slip enamel								
Please take into account when ordering anti-slip and full anti-slip finish the configuration of the KALDEWEI item number (see page 354). More information can be found on page 294-297.								

Further dimensions can be found on the following page. Dimensions ESR II see page 279.

Further accessories can be found on page 275. Available colours see page 298. • = separate accessory. For more information on the 12-digit KALDEWEI Article Number see page 354.

SUPERPLAN PLUS

- elegant, puristic design
- can be installed to be absolutely flush with the floor
- Total height (g) with horizontal waste fitting: 109 mm; fitting height incl. cover 83 mm (compared to tiled shower areas)
- maximum standing comfort thanks to the flat enamelled waste cover that is set flush in the shower tray
- made of KALDEWEI steel enamel
- drainage capacity KA 125: 0,85 l/s
- drainage capacity KA 125 vertical: 1,4 l/s

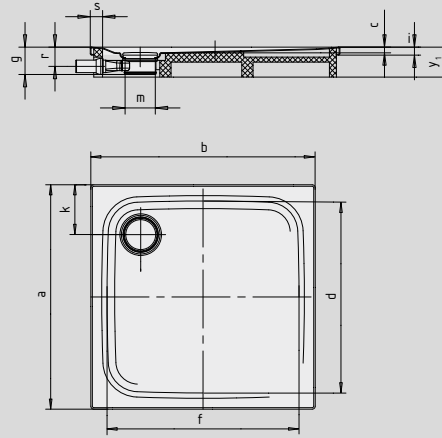


Similar illustration

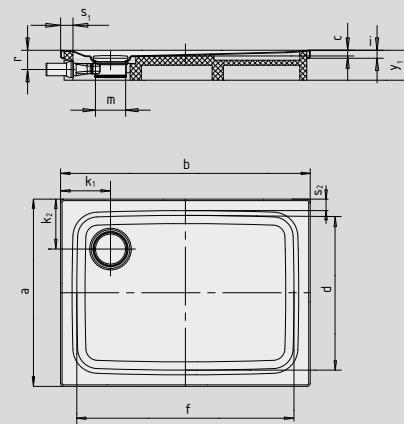
	Total height	Fitting height
KA 125	109	83
KA 125 vertical	49	83

See page 275.

Model 475 with support

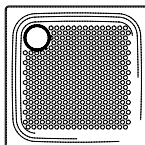


Model 476 with support



SECURE⁺

Model No.	469	475	476	477	
External length	a	800	900	750	800 mm
External width	b	800	900	1000	1000 mm
Depth	c	25	25	25	25 mm
Internal length	d	690	790	640	700 mm
Internal width	f	690	790	890	900 mm
Height with siphon	g	109	109	109	109 mm
Height of rim	i	32	32	32	32 mm
Distance tray edge to centre of drain hole	k ₁ ; k ₂	200	200	200	200 mm
Diameter of drain hole	m	120	120	120	120 mm
Siphon connection height	l	78	78	78	78 mm
Width of rim	s	50	50	50	50 mm
Height with support	y ₁	120	120	120	120 mm
Weight of the enamelled shower tray in kg		18	22	20	21
Anti-slip		Ø 435	Ø 435	Ø 435	Ø 435 mm
Full anti-slip		568 x 565	649 x 673	533 x 781	586 x 781 mm



The TÜV Rheinland confirms the following properties of KALDEWEI's anti-slip and full anti-slip finish:

- Assessment group **B** for wet barefoot areas (**DIN 51097**)
- Assessment group **R 10** for slip-resistant properties in work rooms and areas with an increased risk of slipping (**DIN 51130**)

All SUPERPLAN PLUS models are available with **full anti-slip** finish.

	Waste hole	Model Order No.	Dimensions cm	Colour price groups				EUR
				I (alpine white)	II	III	IV	
SUPERPLAN PLUS Special waste fitting mandatory for SUPERPLAN PLUS optional shower tray foot frame FR or ESR II	∅ 12 cm	469-1 46970001xxxx 475-1 47000001xxxx 476-1 47010001xxxx 477-1 47020001xxxx	80 x 80 x 2,5 90 x 90 x 2,5 75 x 100 x 2,5 80 x 100 x 2,5					
with polystyrene support Special waste fitting mandatory for SUPERPLAN PLUS Total height incl. support: 12 cm	∅ 12 cm	469-2 46974804xxxx 475-2 47004804xxxx 476-2 47014804xxxx 477-2 47024804xxxx	80 x 80 x 2,5 90 x 90 x 2,5 75 x 100 x 2,5 80 x 100 x 2,5					

ACCESSORIES REQUIRED – WASTE FITTINGS (Not in combination with ESR II)

Shower tray foot frame FR	5300 530000120000	Size adjustment up to max. 90 x 90 cm				
	5300 530000130000	Size adjustment up to max. 120 x 120 cm				

and

Special waste fitting KA 125* for SUPERPLAN PLUS with enamelled waste cover	4096 68971060xxxx					
---	-----------------------------	--	--	--	--	--

or

Special waste fitting KA 125* vertical for SUPERPLAN PLUS with enamelled waste cover	4098 68971062xxxx					
--	-----------------------------	--	--	--	--	--

WITH KALDEWEI SECURE PLUS

KALDEWEI SECURE PLUS KA 125* for SUPERPLAN PLUS with enamelled waste cover	4096 689710602xxx					
--	-----------------------------	--	--	--	--	--

or

KALDEWEI SECURE PLUS KA 125* vertical for SUPERPLAN PLUS with enamelled waste cover	4098 689710622xxx					
---	-----------------------------	--	--	--	--	--

ACCESSORIES REQUIRED – INSTALLATION SYSTEMS

	Order No.	Dimensions of the shower tray cm	Dimensions ESR II cm	EUR			
ESR II installation system for SUPERPLAN PLUS Special waste fitting KA 125 for ESR II SUPERPLAN PLUS required Warning: The special waste fitting KA 125 (Mod. 4097 or 4099) must be ordered separately.	584574010000 584574050000 584574060000 584574070000	80 x 80 90 x 90 75 x 100 80 x 100	82,8 x 82,8 92,8 x 92,8 77,8 x 102,8 82,8 x 102,8				

and

Special waste fitting KA 125* for ESR II SUPERPLAN PLUS with drain off connection	4097 68971061xxxx					
---	-----------------------------	--	--	--	--	--

or

Special waste fitting KA 125* vertical for ESR II SUPERPLAN PLUS with drain off connection	4099 68971063xxxx					
--	-----------------------------	--	--	--	--	--

or

KALDEWEI SECURE PLUS KA 125* for ESR II SUPERPLAN PLUS with drain off connection	4097 689710612xxx					
--	-----------------------------	--	--	--	--	--

or

KALDEWEI SECURE PLUS KA 125* vertical for ESR II SUPERPLAN PLUS with drain off connection	4099 689710632xxx					
---	-----------------------------	--	--	--	--	--

MAS 5305 Central Support System for shower trays with assembly or installation frame	688076530000	for side lengths longer than 90 cm				
--	--------------	---------------------------------------	--	--	--	--

OPTIONAL SURFACE FINISHES

Extra charge for easy-clean finish	xxxxxxx3xxx					
Anti-slip Anti-slip enamel						
or						
Full anti-slip Full anti-slip enamel						
or						
KALDEWEI SECURE PLUS (cannot be combined with easy-clean finish)	xxxxxxx2xxx					

Please take into account when ordering anti-slip and full anti-slip finish the configuration of the KALDEWEI item number (see page 354). More information can be found on page 294-297.

Further dimensions can be found on the following pages. Dimensions ESR II see page 279. * Waste fitting KA 125 is available with a hair catcher as an optional extra (see page 289).

SUPERPLAN PLUS

- elegant, puristic design
- can be installed to be absolutely flush with the floor
- Total height (g) with horizontal waste fitting: 109 mm; fitting height incl. cover 83 mm (compared to tiled shower areas)
- maximum standing comfort thanks to the flat enamelled waste cover that is set flush in the shower tray
- made of KALDEWEI steel enamel
- drainage capacity KA 125: 0,85 l/s
- drainage capacity KA 125 vertical: 1,4 l/s

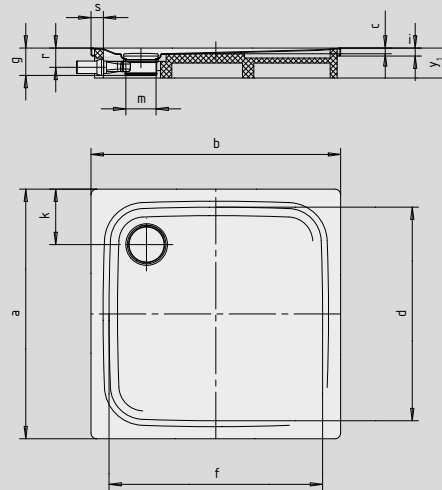


Similar illustration

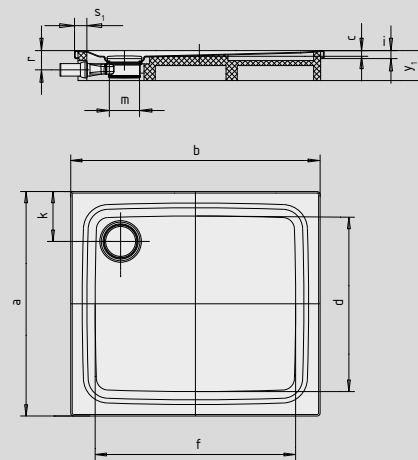
	Total height	Fitting height
KA 125	109	83
KA 125 vertical	49	83

See page 275.

Model 479 with support

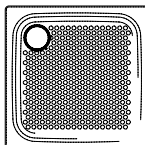


Model 478 with support



SECURE⁺

Model No.		478	479	480
External length	a	900	1000	900 mm
External width	b	1000	1000	1100 mm
Depth	c	25	25	25 mm
Internal length	d	790	870	790 mm
Internal width	f	890	870	990 mm
Height with siphon	g	109	109	109 mm
Height of rim	i	32	32	32 mm
Distance tray edge to centre of drain hole	k ₁ ; k ₂	200	200	200 mm
Diameter of drain hole	m	120	120	120 mm
Siphon connection height	l	78	78	78 mm
Width of rim	s	50	50	50 mm
Height with support	y ₁	120	120	120 mm
Weight of the enamelled shower tray in kg		24	27	26
Anti-slip		Ø 588	Ø 588	Ø 588 mm
Full anti-slip		649 x 781	733 x 781	649 x 853 mm



The TÜV Rheinland confirms the following properties of KALDEWEI's anti-slip and full anti-slip finish:

- Assessment group **B** for wet barefoot areas (**DIN 51097**)
- Assessment group **R 10** for slip-resistant properties in work rooms and areas with an increased risk of slipping (**DIN 51130**)

All SUPERPLAN PLUS models are available with **full anti-slip** finish.

	Waste hole	Model Order No.	Dimensions cm	Colour price groups				EUR
				I (alpine white)	II	III	IV	
SUPERPLAN PLUS Special waste fitting mandatory for SUPERPLAN PLUS optional shower tray foot frame FR or ESR II	∅ 12 cm	478-1 4703 0001 xxxx 479-1 4704 0001 xxxx 480-1 4705 0001 xxxx	90 x 100 x 2,5 100 x 100 x 2,5 90 x 110 x 2,5					
with polystyrene support Special waste fitting mandatory for SUPERPLAN PLUS Total height incl. support: 12 cm	∅ 12 cm	478-2 4703 4804 xxxx 479-2 4704 4804 xxxx 480-2 4705 4804 xxxx	90 x 100 x 2,5 100 x 100 x 2,5 90 x 110 x 2,5					
ACCESSORIES REQUIRED - WASTE FITTINGS (Not in combination with ESR II)								
Shower tray foot frame FR		5300 5300 0012 0000	Size adjustment up to max. 90 x 90 cm					
		5300 5300 0013 0000	Size adjustment up to max. 120 x 120 cm					
and								
Special waste fitting KA 125* for SUPERPLAN PLUS with enamelled waste cover		4096 6897 1060 xxxx						
or								
Special waste fitting KA 125* vertical for SUPERPLAN PLUS with enamelled waste cover		4098 6897 1062 xxxx						
WITH KALDEWEI SECURE PLUS								
KALDEWEI SECURE PLUS KA 125* for SUPERPLAN PLUS with enamelled waste cover		4096 6897 1060 2xxx						
or								
KALDEWEI SECURE PLUS KA 125* vertical for SUPERPLAN PLUS with enamelled waste cover		4098 6897 1062 2xxx						
ACCESSORIES REQUIRED - INSTALLATION SYSTEMS								
		Order No.	Dimensions of the shower tray cm	Dimensions ESR II cm				EUR
ESR II installation system for SUPERPLAN PLUS Special waste fitting KA 125 for ESR II SUPERPLAN PLUS required Warning: The special waste fitting KA 125 (Mod. 4097 or 4099) must be ordered separately.		5845 7408 0000 5845 7409 0000 5845 7411 0000	90 x 100 100 x 100 90 x 110	92,8 x 102,8 102,8 x 102,8 92,8 x 112,8				
and								
Special waste fitting KA 125* for ESR II SUPERPLAN PLUS with drain off connection		4097 6897 1061 xxxx						
or								
Special waste fitting KA 125* vertical for ESR II SUPERPLAN PLUS with drain off connection		4099 6897 1063 xxxx						
or								
KALDEWEI SECURE PLUS KA 125* for ESR II SUPERPLAN PLUS with drain off connection		4097 6897 1061 2xxx						
or								
KALDEWEI SECURE PLUS KA 125* vertical for ESR II SUPERPLAN PLUS with drain off connection		4099 6897 1063 2xxx						
MAS 5305 Central Support System for shower trays with assembly or installation frame		6880 7653 0000	for side lengths longer than 90 cm					
OPTIONAL SURFACE FINISHES								
Extra charge for easy-clean finish		xxxxxxx3xxx						
Anti-slip Anti-slip enamel								
or								
Full anti-slip Full anti-slip enamel								
or								
KALDEWEI SECURE PLUS (cannot be combined with easy-clean finish)		xxxxxxx2xxx						
Please take into account when ordering anti-slip and full anti-slip finish the configuration of the KALDEWEI item number (see page 354). More information can be found on page 294 - 297.								

Further dimensions can be found on the following pages. Dimensions ESR II see page 279. * Waste fitting KA 125 is available with a hair catcher as an optional extra (see page 289).

SUPERPLAN PLUS

- elegant, puristic design
- can be installed to be absolutely flush with the floor
- Total height (g) with horizontal waste fitting: 109 mm; fitting height incl. cover 83 mm (compared to tiled shower areas)
- maximum standing comfort thanks to the flat enamelled waste cover that is set flush in the shower tray
- made of KALDEWEI steel enamel
- drainage capacity KA 125: 0,85 l/s
- drainage capacity KA 125 vertical: 1,4 l/s

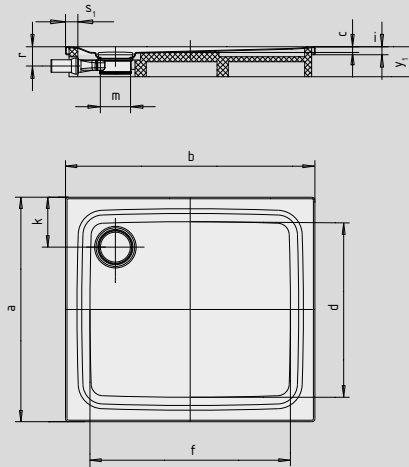


Similar illustration

	Total height	Fitting height
KA 125	109	83
KA 125 vertical	49	83

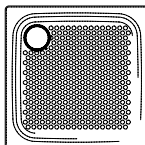
See page 275.

Model 483 with support



SECURE⁺

Model No.		481	482	483
External length	a	700	750	800 mm
External width	b	1200	1200	1200 mm
Depth	c	25	25	25 mm
Internal length	d	590	640	700 mm
Internal width	f	1090	1090	1100 mm
Height with siphon	g	109	109	109 mm
Height of rim	i	32	32	32 mm
Distance tray edge to centre of drain hole	k ₁ ; k ₂	200	200; 225	200 mm
Diameter of drain hole	m	120	120	120 mm
Siphon connection height	l	78	78	78 mm
Width of rim	s _{1,2}	50	50; 75	50 mm
Height with support	y ₁	120	120	120 mm
Weight of the enamelled shower tray in kg		23	24	25
Anti-slip		Ø 435	Ø 435	Ø 588 mm
Full anti-slip		462 x 997	524 x 997	586 x 997 mm



The TÜV Rheinland confirms the following properties of KALDEWEI's anti-slip and full anti-slip finish:

- Assessment group **B** for wet barefoot areas (**DIN 51097**)
- Assessment group **R 10** for slip-resistant properties in work rooms and areas with an increased risk of slipping (**DIN 51130**)

All SUPERPLAN PLUS models are available with **full anti-slip** finish.

	Waste hole	Model Order No.	Dimensions cm	Colour price groups				EUR
				I (alpine white)	II	III	IV	
SUPERPLAN PLUS Special waste fitting mandatory for SUPERPLAN PLUS optional shower tray foot frame FR or ESR II	∅ 12 cm	481-1 47060001xxxx	70 x 120 x 2,5					
		482-1 47070001xxxx	75 x 120 x 2,5					
		483-1 47080001xxxx	80 x 120 x 2,5					
with polystyrene support Special waste fitting mandatory for SUPERPLAN PLUS Total height incl. support: 12 cm	∅ 12 cm	481-2 47064804xxxx	70 x 120 x 2,5					
		482-2 47074804xxxx	75 x 120 x 2,5					
		483-2 47084804xxxx	80 x 120 x 2,5					
ACCESSORIES REQUIRED - WASTE FITTINGS (Not in combination with ESR II)								
Shower tray foot frame FR		5300 530000130000	Size adjustment up to max. 120 x 120 cm					
and								
ACCESSORIES REQUIRED - WASTE FITTINGS (Not in combination with ESR II)								
Special waste fitting KA 125* for SUPERPLAN PLUS with enamelled waste cover		4096 68971060xxxx						
or								
Special waste fitting KA 125* vertical for SUPERPLAN PLUS with enamelled waste cover		4098 68971062xxxx						
WITH KALDEWEI SECURE PLUS								
KALDEWEI SECURE PLUS KA 125* for SUPERPLAN PLUS with enamelled waste cover		4096 689710602xxx						
or								
KALDEWEI SECURE PLUS KA 125* vertical for SUPERPLAN PLUS with enamelled waste cover		4098 689710622xxx						
ACCESSORIES REQUIRED - INSTALLATION SYSTEMS								
		Order No.	Dimensions of the shower tray cm	Dimensions ESR II cm			EUR	
ESR II installation system for SUPERPLAN PLUS Special waste fitting KA 125 for ESR II SUPERPLAN PLUS required Warning: The special waste fitting KA 125 (Mod. 4097 or 4099) must be ordered separately.		584574120000	70 x 120	72,8 x 122,8				
		584574130000	75 x 120	77,8 x 122,8				
		584574140000	80 x 120	82,8 x 122,8				
and								
Special waste fitting KA 125* for ESR II SUPERPLAN PLUS with drain off connection		4097 68971061xxxx						
or								
Special waste fitting KA 125* vertical for ESR II SUPERPLAN PLUS with drain off connection		4099 68971063xxxx						
or								
KALDEWEI SECURE PLUS KA 125* for ESR II SUPERPLAN PLUS with drain off connection		4097 689710612xxx						
or								
KALDEWEI SECURE PLUS KA 125* vertical for ESR II SUPERPLAN PLUS with drain off connection		4099 689710632xxx						
MAS 5305 Central Support System for shower trays with assembly or installation frame		688076530000	for side lengths longer than 90 cm					
OPTIONAL SURFACE FINISHES								
Extra charge for easy-clean finish		xxxxxxx3xxx						
Anti-slip Anti-slip enamel								
or								
Full anti-slip Full anti-slip enamel								
or								
KALDEWEI SECURE PLUS (cannot be combined with easy-clean finish)		xxxxxxx2xxx						
Please take into account when ordering anti-slip and full anti-slip finish the configuration of the KALDEWEI item number (see page 354). More information can be found on page 294 - 297.								

Further dimensions can be found on the following pages. Dimensions ESR II see page 279. * Waste fitting KA 125 is available with a hair catcher as an optional extra (see page 289).

SUPERPLAN PLUS

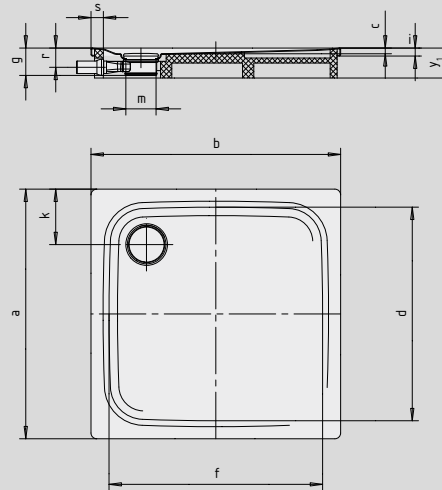
- elegant, puristic design
- can be installed to be absolutely flush with the floor
- Total height (g) with horizontal waste fitting: 109 mm; fitting height incl. cover 83 mm (compared to tiled shower areas)
- maximum standing comfort thanks to the flat enamelled waste cover that is set flush in the shower tray
- made of KALDEWEI steel enamel
- drainage capacity KA 125: 0,85 l/s
- drainage capacity KA 125 vertical: 1,4 l/s
- The model 486 with full anti-slip finish meets the requirements of DIN-barrierefrei 18040-2
- The model 494 with full anti-slip finish meets the requirements of DIN-barrierefrei 18040-1 and 18040-2



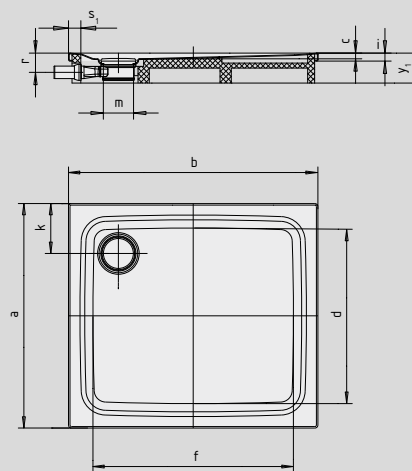
Similar illustration

	Total height		Fitting height
	KA 125	109	136
KA 125 vertical	49		83

Model 486 with support

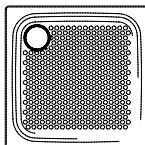


Model 485 with support



SECURE⁺

Model No.	484	485	486	494	
External length	a	900	1000	1200	1500 mm
External width	b	1200	1200	1200	1500 mm
Depth	c	25	25	25	52 mm
Internal length	d	790	890	1070	1390 mm
Internal width	f	1090	1090	1070	1390 mm
Height with siphon	g	109	109	109	136 mm
Height of rim	i	32	32	32	32 mm
Distance tray edge to centre of drain hole	k ₁ ; k ₂	200	200	200	200; 200 mm
Diameter of drain hole	m	120	120	120	120 mm
Siphon connection height	l	78	78	78	105 mm
Width of rim	s	50	50	50	50 mm
Height with support	y ₁	120	120	120	145 mm
Weight of the enamelled shower tray in kg		29	31	37	55
Anti-slip		Ø 588	Ø 588	Ø 588	Ø 861 mm
Full anti-slip		649 x 997	773 x 997	1060 x 1105	1393 x 1393 mm



The TÜV Rheinland confirms the following properties of KALDEWEI's anti-slip and full anti-slip finish:

- Assessment group **B** for wet barefoot areas (**DIN 51097**)
- Assessment group **R 10** for slip-resistant properties in work rooms and areas with an increased risk of slipping (**DIN 51130**)

All SUPERPLAN PLUS models are available with **full anti-slip** finish.

	Waste hole	Model Order No.	Dimensions cm	Colour price groups				EUR
				I (alpine white)	II	III	IV	
SUPERPLAN PLUS Special waste fitting mandatory for SUPERPLAN PLUS optional shower tray foot frame FR or ESR II	∅ 12 cm	484-1 4709 0001 xxxx 485-1 4710 0001 xxxx 486-1 4711 0001 xxxx	90 x 120 x 2,5 100 x 120 x 2,5 120 x 120 x 2,5					
	∅ 12 cm	494-1 4714 0001 xxxx	150 x 150 x 5,2					
with polystyrene support Special waste fitting mandatory for SUPERPLAN PLUS Total height incl. support: 12 cm	∅ 12 cm	484-2 4709 4804 xxxx 485-2 4710 4804 xxxx 486-2 4711 4804 xxxx	90 x 120 x 2,5 100 x 120 x 2,5 120 x 120 x 2,5					
	∅ 12 cm	494-2 4714 4804 xxxx	150 x 150 x 5,2					
Total height incl. support: 14,5 cm	∅ 12 cm	494-2 4714 4804 xxxx	150 x 150 x 5,2					
ACCESSORIES REQUIRED – WASTE FITTINGS (Not in combination with ESR II)								
Shower tray foot frame FR	5300 5300 0013 0000	Size adjustment up to max. 120 x 120 cm						
	5300 5300 0014 0000	Frame 150/180 suitable for shower trays from 130 – 180 cm						
and								
ACCESSORIES REQUIRED – WASTE FITTINGS (Not in combination with ESR II)								
Special waste fitting KA 125* for SUPERPLAN PLUS with enamelled waste cover	4096 6897 1060 xxxx							
or								
Special waste fitting KA 125* vertical for SUPERPLAN PLUS with enamelled waste cover	4098 6897 1062 xxxx							
WITH KALDEWEI SECURE PLUS								
KALDEWEI SECURE PLUS KA 125* for SUPERPLAN PLUS with enamelled waste cover	4096 6897 1060 2xxx							
or								
KALDEWEI SECURE PLUS KA 125* vertical for SUPERPLAN PLUS with enamelled waste cover	4098 6897 1062 2xxx							
ACCESSORIES REQUIRED – INSTALLATION SYSTEMS								
	Order No.	Dimensions of the shower tray cm	Dimensions ESR II cm				EUR	
ESR II installation system for SUPERPLAN PLUS Special waste fitting KA 125 for ESR II SUPERPLAN PLUS required Warning: The special waste fitting KA 125 (Mod. 4097 or 4099) must be ordered separately.	5845 7415 0000	90 x 120	92,8 x 122,8					
	5845 7416 0000	100 x 120	102,8 x 122,8					
	5845 7417 0000	120 x 120	122,8 x 122,8					
	5845 7430 0000	150 x 150	152,8 x 152,8					
and								
Special waste fitting KA 125* for ESR II SUPERPLAN PLUS with drain off connection	4097 6897 1061 xxxx							
or								
Special waste fitting KA 125* vertical for ESR II SUPERPLAN PLUS with drain off connection	4099 6897 1063 xxxx							
or								
KALDEWEI SECURE PLUS KA 125* for ESR II SUPERPLAN PLUS with drain off connection	4097 6897 1061 2xxx							
or								
KALDEWEI SECURE PLUS KA 125* vertical for ESR II SUPERPLAN PLUS with drain off connection	4099 6897 1063 2xxx							
MAS 5305 Central Support System for shower trays with assembly or installation frame								
	6880 7653 0000	for side lengths longer than 90 cm						
OPTIONAL SURFACE FINISHES								
Extra charge for easy-clean finish	xxxxxxx3xxx							
Anti-slip Anti-slip enamel		≤ 120 x 120						
		> 120 x 120						
or								
Full anti-slip Full anti-slip enamel		≤ 120 x 120						
		> 120 x 120						
or								
KALDEWEI SECURE PLUS (cannot be combined with easy-clean finish)	xxxxxxx2xxx	≤ 120 x 120						
		> 120 x 120						
Please take into account when ordering anti-slip and full anti-slip finish the configuration of the KALDEWEI item number (see page 354). More information can be found on page 294 - 297.								

Dimensions ESR II see page 279. *Waste fitting KA 125 is available with a hair catcher as an optional extra (see page 289).

Further accessories can be found on page 275. Available colours see page 298. ● = separate accessory. For more information on the 12-digit KALDEWEI Article Number see page 354.

XETIS

- Puristic, uniform surface with no distracting elements
- Barrier-free access thanks to floor-flush integration
- Protection against moisture penetration because of the joint-free surface
- Integrated slope ensures perfect water drainage
- Assembly-friendly system solution – all components are perfectly compatible with one another
- made of KALDEWEI steel enamel
- The model 890 with full anti-slip finish meets the requirements of DIN-barrierefrei 18040-2



Similar illustration

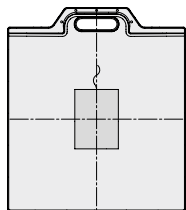
	Total height	Fitting height
KA 200	112	87

See page 275.

For installing the XETIS system solution a Central Support System is necessary. The number and position can be seen on the following arrays.

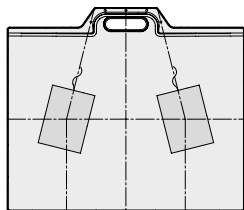
Number and positioning:

1 x MAS



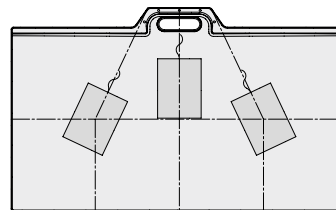
885 90 x 90
886 100 x 100

2 x MAS



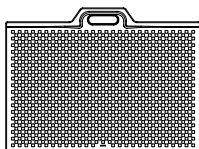
887 80 x 120
888 90 x 120
889 100 x 120
890 120 x 120

3 x MAS



891 80 x 140
892 90 x 140
893 100 x 140
894 90 x 170
895 100 x 170
896 90 x 180
897 100 x 180

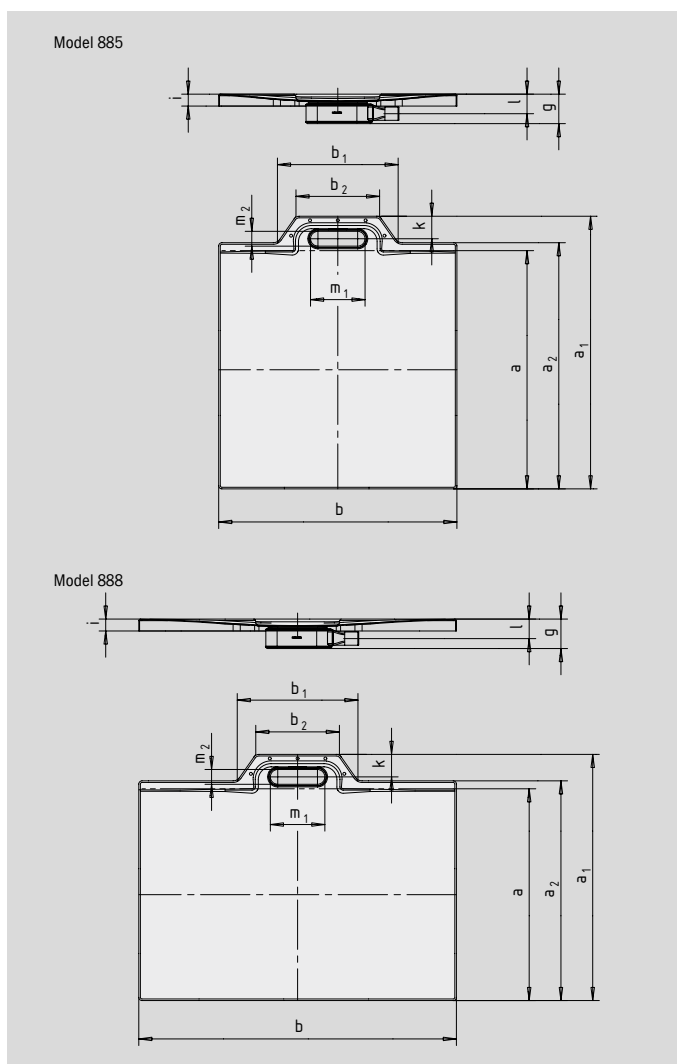
Model No.		885	886	887	888	889	890
External width (nominal)	a	900	1000	800	900	1000	1200 mm
External length (nominal)	b	900	1000	1200	1200	1200	1200 mm
External length	a ₁ ; a ₂	1030; 930	1130; 1030	930; 830	1030; 930	1130; 1030	1330; 1230 mm
External width	b ₁ ; b ₂	460; 320	460; 320	460; 320	460; 320	460; 320	460; 320 mm
Height with siphon	g	112	112	112	112	112	112 mm
Height of rim	i	45	45	45	45	45	45 mm
Distance tray edge to centre of drain hole	k	85	85	85	85	85	85 mm
Siphon connection height	l	74	74	74	74	74	74 mm
Diameter of drain hole	m ₁ ; m ₂	205; 55	205; 55	205; 55	205; 55	205; 55	205; 55 mm
Weight of the enamelled shower tray in kg		23	28	27	29	33	39
Anti-slip		540 x 540	540 x 540	540 x 732	540 x 732	540 x 732	540 x 540 mm
Full anti-slip		836 x 836	932 x 936	740 x 1124	836 x 1124	932 x 1124	1148 x 1184 mm



The TÜV Rheinland confirms the following properties of KALDEWEI's anti-slip and full anti-slip finish:

- Assessment group **B** for wet barefoot areas (**DIN 51097**)
- Assessment group **R 10** for slip-resistant properties in work rooms and areas with an increased risk of slipping (**DIN 51130**)

All XETIS models are available with **full anti-slip** finish.



SECURE⁺

	Waste hole	Model Order No.	Dimensions cm	Colour price groups				EUR
				I (alpine white)	II	III	IV	
XETIS Installation set 1, 2 or 3 required plus FR 5350 and MAS 5305	∅ 205 x 55 mm	885 48850001xxxx 886 48860001xxxx 887 48870001xxxx 888 48880001xxxx 889 48890001xxxx 890 48900001xxxx	90 x 90 100 x 100 80 x 120 90 x 120 100 x 120 120 x 120					
ACCESSORIES REQUIRED – WASTE FITTINGS								
XETIS installation set 1 with designer cover for tiling includes waste fitting KA 200, XETIS sealing system XDS, installation cover, designer cover for tiling		687676310000						
or								
XETIS installation set 2 with designer cover polished chrome plate includes waste fitting KA 200, XETIS sealing system XDS, installation cover, designer cover polished chrome plate		687676320000						
or								
XETIS installation set 3 with designer cover, polished chrome, with collar includes waste fitting KA 200, XETIS sealing system XDS, installation cover, designer cover polished chrome plate with collar		687676390000						
and								
Foot frame FR 5350 XETIS		5350 530000290000	Size adjustment up to max. 90 x 120 cm					
		5350 530000280000	Size adjustment up to max. 120 x 120 cm					
and								
MAS 5305 Central Support System Plan the number of MAS according to the size of the shower surface		688076530000						
OPTIONAL ACCESSORIES – SOUND INSULATION SOLUTIONS CERTIFIED TO DIN 4109 AND VDI 4100								
Sound insulation solution certified to DIN 4109 – Sound insulation in buildings and VDI 4100 Extra charge for XETIS shower surface with special sound insulation To meet the strict requirements of DIN 4109 – Sound insulation in buildings and VDI 4100/SST 3, please order the shower surface with SAD along with the XETIS Plus complementary set and the FR 5300 XETIS. Please see the relevant sound insulation certificate (www.kaldewei.de)								
and								
XETIS Plus complementary set 6.25m connecting sound insulating tape WAS 2 x sound insulation pads for fixing brackets 1 x installation leaflet		687676360000						
OPTIONAL SURFACE FINISHES								
Extra charge for easy-clean finish		xxxxxxx3xxx						
Anti-slip Anti-slip enamel								
or								
Full anti-slip Full anti-slip enamel								
or								
KALDEWEI SECURE PLUS (cannot be combined with easy-clean finish)		xxxxxxx2xxx						
Please take into account when ordering anti-slip and full anti-slip finish the configuration of the KALDEWEI item number (see page 354). More information can be found on page 294-297.								

Please refer to the planning guide on pages 236/237! Please refer to the system components on pages 282/283.

XETIS

- Puristic, uniform surface with no distracting elements
- Barrier-free access thanks to floor-flush integration
- Protection against moisture penetration because of the joint-free surface
- Integrated slope ensures perfect water drainage
- Assembly-friendly system solution – all components are perfectly compatible with one another
- made of KALDEWEI steel enamel



Similar illustration

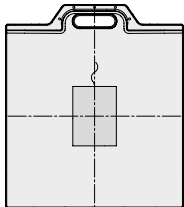
	Total height	Fitting height
KA 200	112	87

See page 275.

For installing the XETIS system solution a Central Support System is necessary. The number and position can be seen on the following arrays.

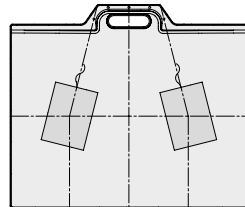
Number and positioning:

1 x MAS



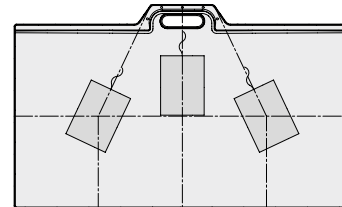
885 90 x 90
886 100 x 100

2 x MAS



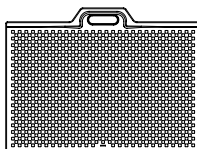
887 80 x 120
888 90 x 120
889 100 x 120
890 120 x 120

3 x MAS



891 80 x 140
892 90 x 140
893 100 x 140
894 90 x 170
895 100 x 170
896 90 x 180
897 100 x 180

Model No.		891	892	893	894	895	896	897
External width (nominal)	a	800	900	1000	900	1000	900	1000 mm
External length (nominal)	b	1400	1400	1400	1700	1700	1800	1800 mm
External length	a ₁ ; a ₂	930; 830	1030; 930	1130; 1030	1030; 930	1130; 1030	1030; 930	1130; 1030 mm
External width	b ₁ ; b ₂	460; 320	460; 320	460; 320	460; 320	460; 320	460; 320	460; 320 mm
Height with siphon	g	112	112	112	112	112	112	112 mm
Height of rim	i	45	45	45	45	45	45	45 mm
Distance tray edge to centre of drain hole	k	85	85	85	85	85	85	85 mm
Siphon connection height	l	74	74	74	74	74	74	74 mm
Diameter of drain hole	m ₁ ; m ₂	205; 55	205; 55	205; 55	205; 55	205; 55	205; 55	205; 55 mm
Weight of the enamelled shower tray in kg		32	35	38	42	45	43	48
Anti-slip		540 x 828	540 x 828	540 x 828	540 x 1020	540 x 1020	540 x 1020	540 x 1020 mm
Full anti-slip		740 x 1316	836 x 1316	932 x 1316	836 x 1652	932 x 1652	836 x 1748	932 x 1748 mm

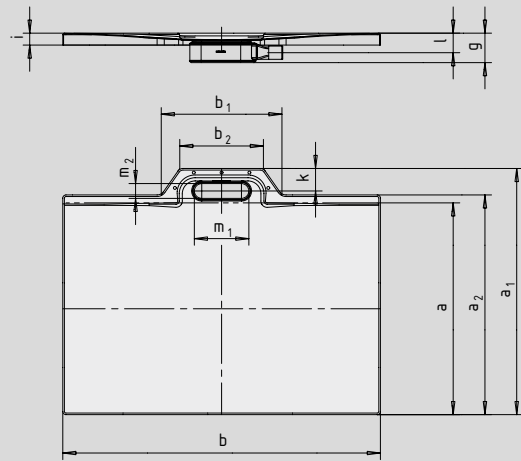


The TÜV Rheinland confirms the following properties of KALDEWEI's anti-slip and full anti-slip finish:

- Assessment group **B** for wet barefoot areas (**DIN 51097**)
- Assessment group **R 10** for slip-resistant properties in work rooms and areas with an increased risk of slipping (**DIN 51130**)

Alle XETIS-Modelle sind auch mit **Vollantislip** lieferbar.

Model 891

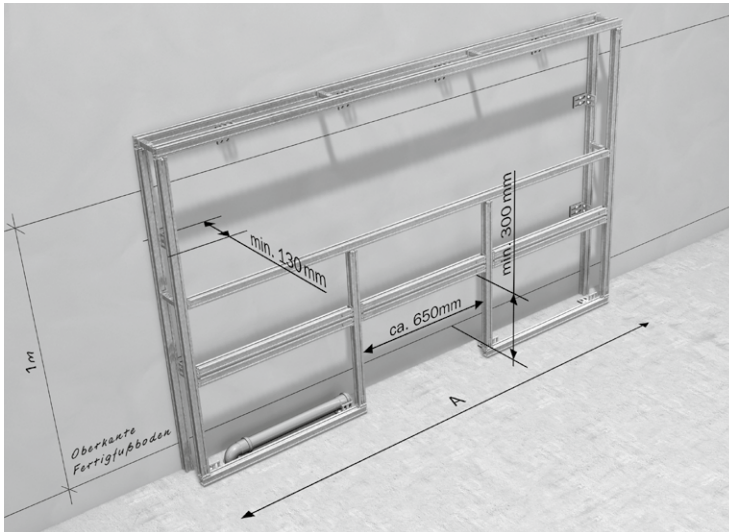


SECURE⁺

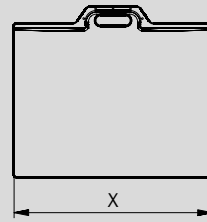
	Waste hole	Model Order No.	Dimensions cm	Colour price groups				EUR
				I (alpine white)	II	III	IV	
XETIS Installation set 1, 2 or 3 required plus FR 5350 and MAS 5305	∅ 205 x 55 mm	891 48910001xxxx	80 x 140					
		892 48920001xxxx	90 x 140					
		893 48930001xxxx	100 x 140					
		894 48940001xxxx	90 x 170					
		895 48950001xxxx	100 x 170					
		896 48960001xxxx	90 x 180					
		897 48970001xxxx	100 x 180					
ACCESSORIES REQUIRED – WASTE FITTINGS								
XETIS installation set 1 with designer cover for tiling includes waste fitting KA 200, XETIS sealing system XDS, installation cover, designer cover for tiling		687676310000						
or								
XETIS installation set 2 with designer cover polished chrome plate includes waste fitting KA 200, XETIS sealing system XDS, installation cover, designer cover polished chrome plate		687676320000						
or								
XETIS installation set 3 with designer cover, polished chrome, with collar includes waste fitting KA 200, XETIS sealing system XDS, installation cover, designer cover polished chrome plate with collar		687676390000						
and								
Foot frame FR 5350 XETIS		5350 530000270000	Size adjustment up to max. 100 x 180 cm					
and								
MAS 5305 Central Support System Plan the number of MAS according to the size of the shower surface		688076530000						
OPTIONAL ACCESSORIES – SOUND INSULATION SOLUTIONS CERTIFIED TO DIN 4109 AND VDI 4100								
Sound insulation solution certified to DIN 4109 – Sound insulation in buildings and VDI 4100 Extra charge for XETIS shower surface with special sound insulation To meet the strict requirements of DIN 4109 – Sound insulation in buildings and VDI 4100/SST 3, please order the shower surface with SAD along with the XETIS Plus complementary set and the FR 5300 XETIS. Please see the relevant sound insulation certificate (www.kaldewei.de)								
and								
XETIS Plus complementary set 6.25m connecting sound insulating tape WAS 2 x sound insulation pads for fixing brackets 1 x installation leaflet		687676360000						
OPTIONAL SURFACE FINISHES								
Extra charge for easy-clean finish		xxxxxxx3xxx						
Anti-slip Anti-slip enamel								
or								
Full anti-slip Full anti-slip enamel								
or								
KALDEWEI SECURE PLUS (cannot be combined with easy-clean finish)		xxxxxxx2xxx						
Please take into account when ordering anti-slip and full anti-slip finish the configuration of the KALDEWEI item number (see page 354). More information can be found on page 294 - 297.								

Please refer to the planning guide on pages 236/237! Please refer to the system components on pages 282/283.

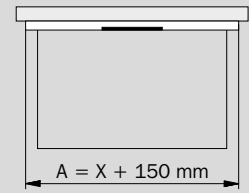
PLANNING GUIDE XETIS



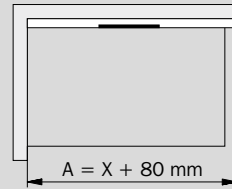
Installation options:



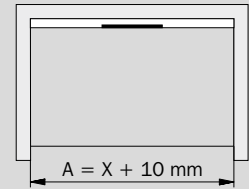
Single-side wall connection



corner installation



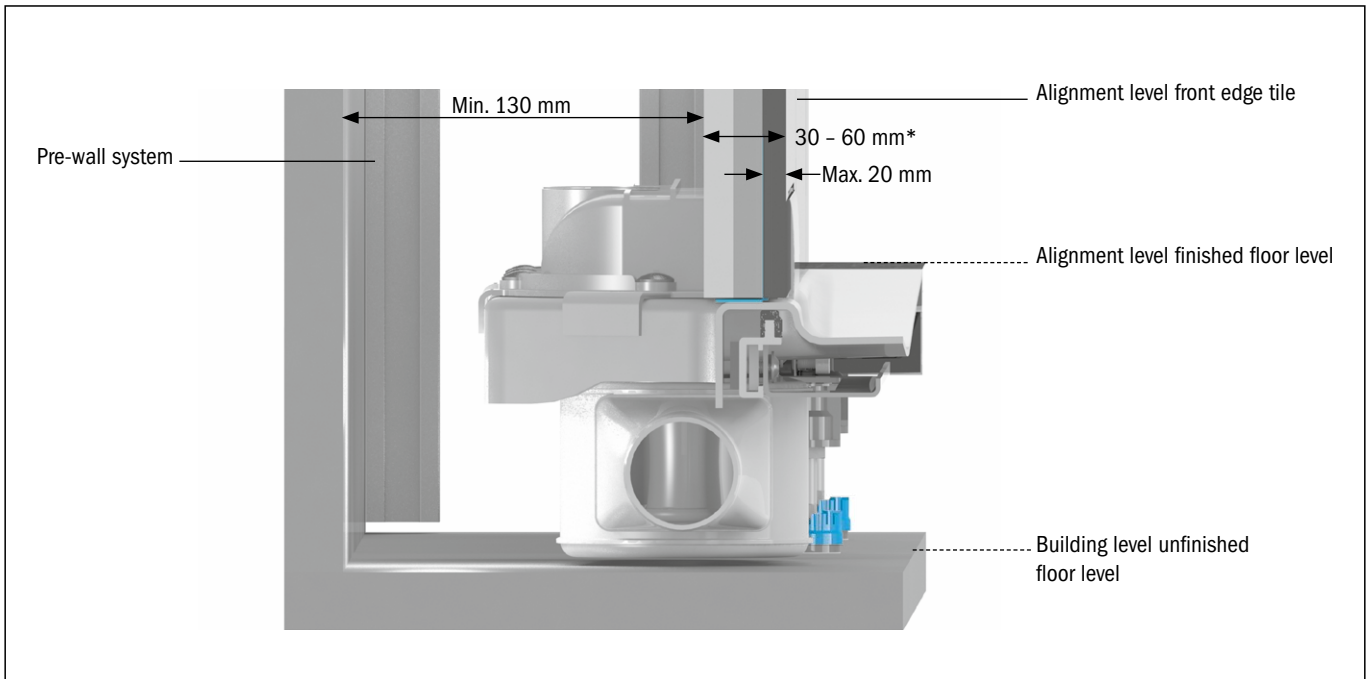
Niche installation



1st STEP: Planning the stud wall

Observe the required dimensions for fitting the stud wall.

- Void depth inc. finished wall: min. 130 mm
- Recess for integrating the shower surface: Width min. 650 mm, height: min. 300 mm (from top surface of the finished floor)
- Minimum width of the stud wall: Width of the shower surface (X) = 150 mm
(in corner installations = X + 80 mm)
(in niche installations = X + 10 mm)

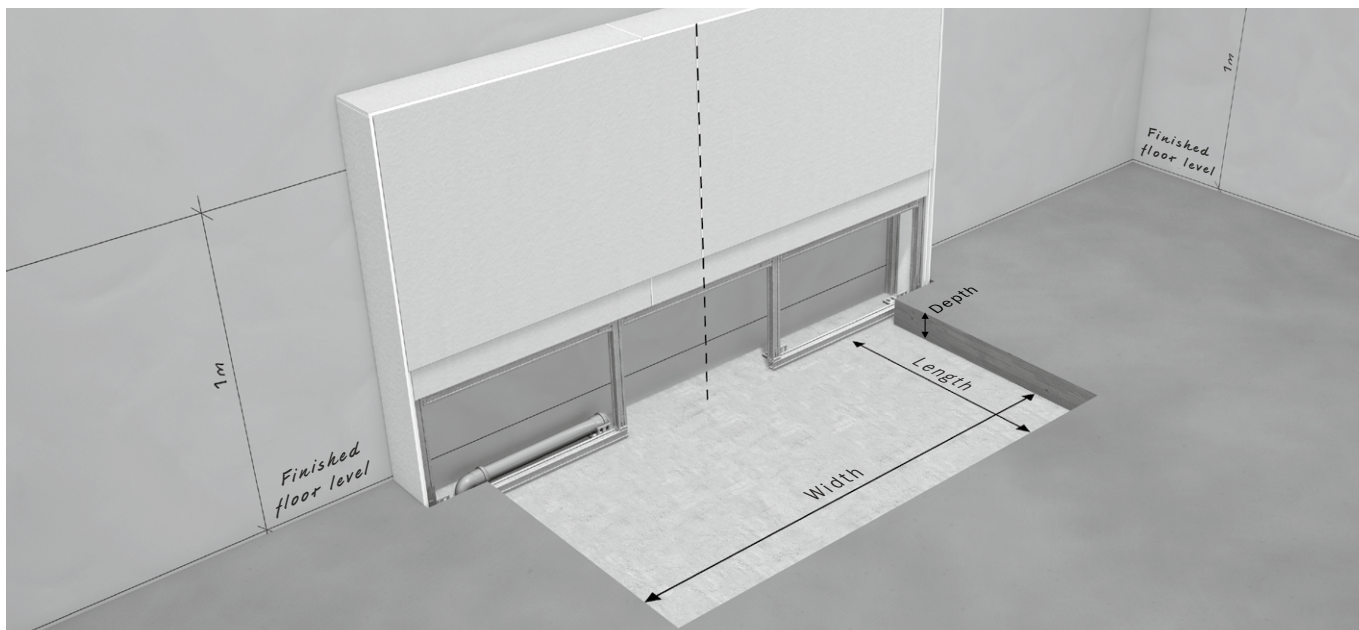


2nd STEP: Planning the wall mounting

Observe the required dimensions for wall mounting

- Overall thickness of structure (= panelling + sealing layer + tile adhesive + tile): 30 - 60 mm*
- Of which tiling layer (tile + tile adhesive): max. 20 mm

* On additional usage of XETIS Plus complementary sound insulation set a wall construction of 35-60 mm has to be considered.



3rd STEP: Planning the screed recess:

Observe the required dimensions for wall mounting

a) Width:

Width of the shower surface (= nominal width)

see also packaging mm

+ tolerance allowance: 20 mm

A = recess width = mm

c) Depth:

The XETIS shower surface can only be installed flush-to-floor.

When installed with a siphon, the shower surface has a minimum installation height of 112 mm. We recommend keeping a safety distance of 5 mm between waste fitting and floor.

b) Length:

Length of shower surface (= nominal length)

see also packaging mm

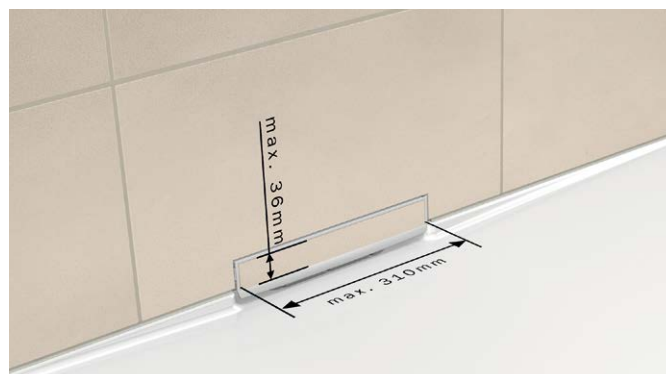
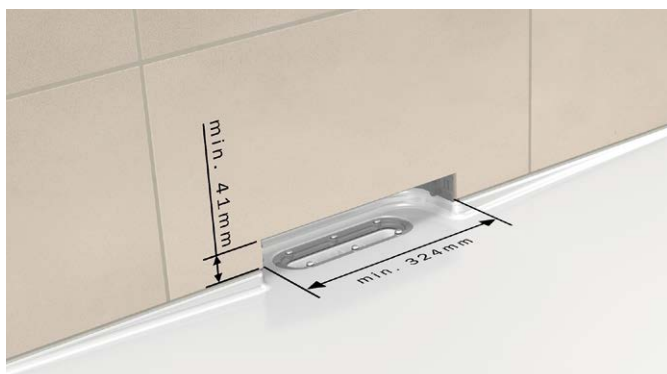
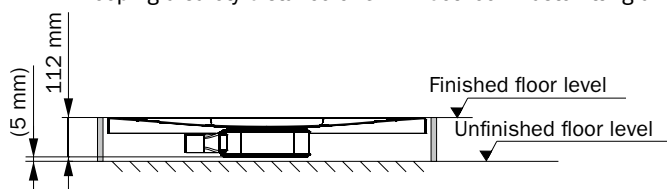
+ panelling thickness mm

+ tile mm

+ tile adhesive mm

+ tolerance allowance 10 mm

B = recess length = mm



4th STEP: Planning the tile adaptation:

Observe the required dimensions for fitting the tile.

a) Tile cut-out wall: 324 mm x 41 mm

Recommendation: Centre the tile above the panel.

b) Tile strip for tileable design panel: 310 mm x 36 mm x tile thickness (max. 13 mm)

ARRONDO

- quad shower tray with minimalist contours
- generous standing area with lots of room to move when showering
- space-saving shape
- 55 cm radius
- made of KALDEWEI steel enamel
- flush-fitting recessed waste cover
(only in combination with the KA 90 waste fittings)



Similar illustration

Modell	Total height				Fitting height			
	870	872	871	873	870	872	871	873
KA 90	105	105	145	145	81	81	81	81
KA 90 extra flat	94	94	134	134	70	70	70	70
KA 90 ultra flat	85	85	125	125	61	61	61	61
KA 90 vertical	49	49	49	49	81	81	81	81

See page 275.

Illustration shows Model 871 with support

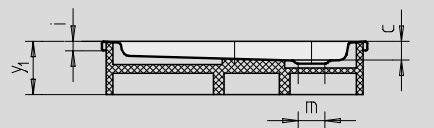
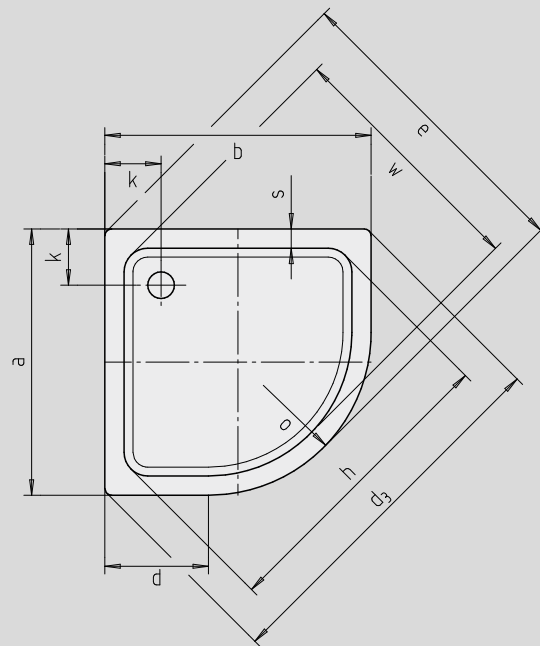
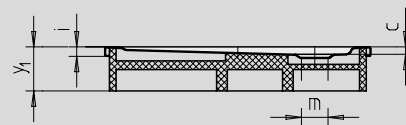


Illustration shows Model 870 with support



Model No.	870	872	871	873	
External length	a	900	1000	900	1000 mm
External width	b	900	1000	900	1000 mm
Depth	c	25	25	65	65 mm
Corner dimension - external length	d ₃	1254	1395	1254	1395 mm
Corner dimension - external width	e	1035	1177	1035	1177 mm
Corner dimension - internal length	h	1023	1164	1023	1164 mm
Height of rim	i	32	32	32	32 mm
Distance tray edge to centre of drain hole	k	190	190	190	190 mm
Diameter of drain hole	m	90	90	90	90 mm
External radius	o	550	550	550	550 mm
Side length	p	350	450	350	450 mm
Width of rim	s	65	65	65	65 mm
Corner dimension - internal width	w	855	996	855	996 mm
Height with support	y ₁	120	120	160	160 mm
Weight of the enamelled shower tray in kg		20	25	21	26
Anti-slip		Ø 435	Ø 588	Ø 435	Ø 588 mm

Subject to technical alterations, tolerances and errors. Similar illustration.

KALDEWEI

	Waste hole	Model Order No.	Dimensions cm	Colour price groups				EUR
				I (alpine white)	II	III	IV	
ARRONDO plus shower tray foot frame FR Mod. 5300 for ARRondo	∅ 9 cm	870-1 46000001xxxx 872-1 46020001xxxx 871-1 46010001xxxx 873-1 46030001xxxx	90 x 90 x 2,5 100 x 100 x 2,5 90 x 90 x 6,5 100 x 100 x 6,5					
with polystyrene support Total height incl. support: 12 cm	∅ 9 cm	870-2 46004804xxxx 872-2 46024804xxxx	90 x 90 x 2,5 100 x 100 x 2,5					
with polystyrene support Total height incl. support: 16 cm	∅ 9 cm	871-2 46014804xxxx 873-2 46034804xxxx	90 x 90 x 6,5 100 x 100 x 6,5					

ACCESSORIES REQUIRED - WASTE FITTINGS (Not in combination with ESR II)

Shower tray foot frame FR for ARRONDO, see page 280	5300 530000170000	Size adjustment up to max. 100 x 100 cm					
and							
Waste fitting KA 90 Waste cover chrome	4047 687740470999						
or							
Waste fitting KA 90 extra flat Waste cover chrome	4051 687740510999						
or							
Waste fitting KA 90 ultra flat Waste cover chrome	4451 687744510999						
or							
Waste fitting KA 90 vertical Waste cover chrome	4055 687740550999						
and							
Hair catcher KA 90	687740420000						
or							
Waste fitting diameter 9 cm vertical Discontinued in 2016. Delivery subject to availability.	4087 689710660999						
or							
Waste fitting diameter 9 cm Discontinued in 2016. Delivery subject to availability.	4088 689710650999						

All presented waste fittings include a p-trap inside the waste fittings. Please find the complete product range of waste fittings on page 288.

ACCESSORIES REQUIRED - INSTALLATION SYSTEMS

	Order No.	Dimensions of the shower tray cm	Dimensions ESR II cm	EUR			
ESR II installation system for ARRONDO depth 2,5 cm Special waste fitting required for ESR II see page 276/279	584574440000 584574450000	90 x 90 100 x 100	92,8 x 92,8 102,8 x 102,8				
and							
Waste fitting KA 90 for ESR II with anti-seepage connection	4048 687740480999						
or							
Waste fitting KA 90 extra flat for ESR II with anti-seepage connection	4052 687740520999						
or							
Waste fitting KA 90 ultra flat for ESR II with anti-seepage connection	4452 687744520999						
or							
Waste fitting KA 90 vertical for ESR II with anti-seepage connection	4056 687740560999						
and							
Hair catcher KA 90	687740420000						
MAS 5305 Central Support System for shower tray foot frame FR 5300 or ESR II							
	688076530000	for side lengths longer than 90 cm					

OPTIONAL SURFACE FINISHES

Extra charge for easy-clean finish	xxxxxxx3xxx					
Anti-slip Anti-slip enamel						

Please take into account when ordering anti-slip and full anti-slip finish the configuration of the KALDEWEI item number (see page 354). More information can be found on page 294 - 297.

Further dimensions can be found on the following page. Dimensions ESR II see page 279.

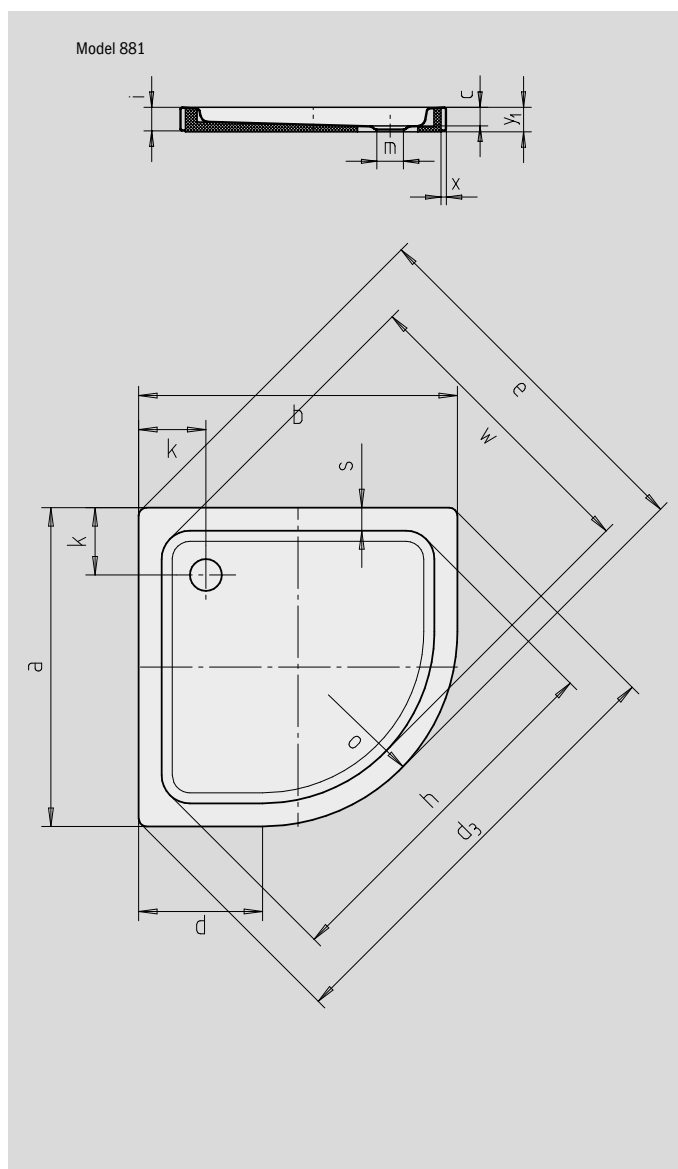
Further accessories can be found on page 275. Available colours see page 298. • = separate accessory. For more information on the 12-digit KALDEWEI Article Number see page 354.

ARRONDO WITH APRON

- apron saves you tiling the shower tray in
- quad shower tray with minimalist contours
- generous standing area with lots of room to move when showering
- space-saving shape
- 55 cm radius
- made of KALDEWEI steel enamel
- flush-fitting recessed waste cover
(only in combination with the KA 90 waste fittings)



Similar illustration



	Total height	Fitting height
KA 90	145	81
KA 90 extra flat	134	70
KA 90 ultra flat	125	61
KA 90 vertical	49	81

See page 275.

Model No.		880	881
External length	a	900	1000 mm
External width	b	900	1000 mm
Depth	c	65	65 mm
Corner dimension - external length	d ₃	1254	1395 mm
Corner dimension - external width	e	1035	1177 mm
Corner dimension - internal length	h	1023	1164 mm
Height of rim	i	80	80 mm
Distance tray edge to centre of drain hole	k	190	190 mm
Diameter of drain hole	m	90	90 mm
External radius	o	550	550 mm
Side length	p	350	450 mm
Width of rim	s	65	65 mm
Corner dimension - internal width	w	855	996 mm
Base	x	25	25 mm
Height with support	y ₁	83	83 mm
Weight of the enamelled shower tray in kg		25	30
Anti-slip		∅ 435	∅ 588 mm

Subject to technical alterations, tolerances and errors. Similar illustration.

	Waste hole	Model Order No.	Dimensions cm	Colour price groups				EUR
				I (alpine white)	II	III	IV	
ARRONDO with apron Total height with apron: 8 cm	∅ 9 cm	880-1 4604 0001 xxxx 881-1 4605 0001 xxxx	90 x 90 x 6,5 100 x 100 x 6,5					
with apron and polystyrene support Total height incl. support: 8,3 cm	∅ 9 cm	880-2 4604 4804 xxxx 881-2 4605 4804 xxxx	90 x 90 x 6,5 100 x 100 x 6,5					
ACCESSORIES REQUIRED – WASTE FITTINGS (Not in combination with ESR II)								
Shower tray foot frame FR		5300 5300 0017 0000	Size adjustment up to max. 100 x 100 cm					
Waste fitting diameter 9 cm vertical Discontinued in 2016. Delivery subject to availability.		4087 6897 1066 0999						
or								
Waste fitting diameter 9 cm Discontinued in 2016. Delivery subject to availability.		4088 6897 1065 0999						
All presented waste fittings include a p-trap inside the waste fittings. Please find the complete product range of waste fittings on page 288.								
OPTIONAL SURFACE FINISHES								
Extra charge for easy-clean finish		xxxxxxx3xxx						
Anti-slip Anti-slip enamel								
Please take into account when ordering anti-slip and full anti-slip finish the configuration of the KALDEWEI item number (see page 354). More information can be found on page 294 - 297.								

DUSCHPLAN

- a classic among shower trays
- modern, clear design only 65 mm deep
- available in rectangular or square design
- made of KALDEWEI steel enamel
- flush-fitting recessed waste cover (only in combination with the KA 90 waste fittings)



Similar illustration

	Total height	Fitting height
KA 90	145	81
KA 90 extra flat	134	70
KA 90 ultra flat	125	61
KA 90 vertical	49	81

See page 275.

Illustration shows Model 545-2

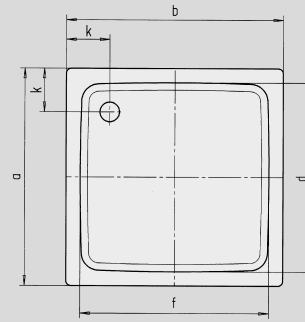
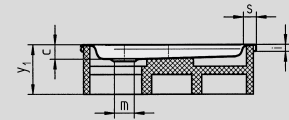
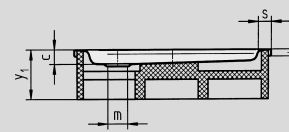


Illustration shows Model 546-2



Model No.		554	542	547
External length	a	750	800	700 mm
External width	b	800	800	900 mm
Depth	c	65	65	65 mm
Internal length	d	620	670	570 mm
Internal width	f	670	670	770 mm
Height of rim	i	32	32	32 mm
Distance tray edge to centre of drain hole	k	200	200	200 mm
Diameter of drain hole	m	90	90	90 mm
Width of rim	s	65	65	65 mm
Height with support	y ₁	160	160	160 mm
Weight of the enamelled shower tray in kg		18	19	19
Anti-slip		∅ 435	∅ 435	∅ 435 mm

Subject to technical alterations, tolerances and errors. Similar illustration.

KALDEWEI

	Waste hole	Model Order No.	Dimensions cm	Colour price groups				EUR
				I (alpine white)	II	III	IV	
DUSCHPLAN optional shower tray foot frame FR Mod. 5300	∅ 9 cm	554-1 4486 0001 xxxx 542-1 4405 0001 xxxx 547-1 4421 0001 xxxx	75 x 80 x 6,5 80 x 80 x 6,5 70 x 90 x 6,5					
DUSCHPLAN with polystyrene support Total height incl. support: 16 cm	∅ 9 cm	554-2 4486 4804 xxxx 542-2 4405 4804 xxxx 547-2 4421 4804 xxxx	75 x 80 x 6,5 80 x 80 x 6,5 70 x 90 x 6,5					
ACCESSORIES REQUIRED - WASTE FITTINGS (Not in combination with ESR II)								
Shower tray foot frame FR see page 280		5300 5300 0012 0000	Size adjustment up to max. 90 x 90 cm					
		5300 5300 0013 0000	Size adjustment up to max. 120 x 120 cm					
and								
Waste fitting KA 90 Waste cover chrome		4047 6877 4047 0999						
or								
Waste fitting KA 90 extra flat Waste cover chrome		4051 6877 4051 0999						
or								
Waste fitting KA 90 ultra flat Waste cover chrome		4451 6877 4451 0999						
or								
Waste fitting KA 90 vertical Waste cover chrome		4055 6877 4055 0999						
and								
Hair catcher KA 90		6877 4042 0000						
or								
Waste fitting diameter 9 cm vertical Discontinued in 2016. Delivery subject to availability.		4087 6897 1066 0999						
or								
Waste fitting diameter 9 cm Discontinued in 2016. Delivery subject to availability.		4088 6897 1065 0999						
All presented waste fittings include a p-trap inside the waste fittings. Please find the complete product range of waste fittings on page 288.								
MAS 5305 Central Support System for shower tray foot frame FR 5300 or ESR II								
		6880 7653 0000	for side lengths longer than 90 cm					
OPTIONAL SURFACE FINISHES								
Extra charge for easy-clean finish		xxxxxxx3xxx						
Anti-slip Anti-slip enamel								
Please take into account when ordering anti-slip and full anti-slip finish the configuration of the KALDEWEI item number (see page 354). More information can be found on page 294 - 297.								

Further dimensions can be found on the following pages. Dimensions ESR II see page 279.

DUSCHPLAN

- a classic among shower trays
- modern, clear design only 65 mm deep
- available in rectangular or square design
- made of KALDEWEI steel enamel
- flush-fitting recessed waste cover (only in combination with the KA 90 waste fittings)



Similar illustration

	Total height	Fitting height
KA 90	145	81
KA 90 extra flat	134	70
KA 90 ultra flat	125	61
KA 90 vertical	49	81

See page 275.

Illustration shows Model 545-2

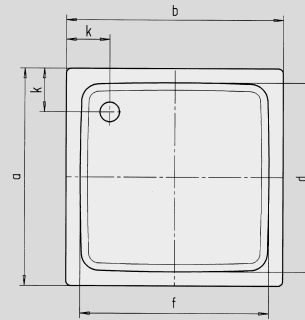
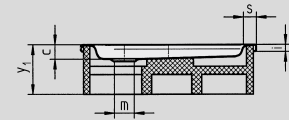
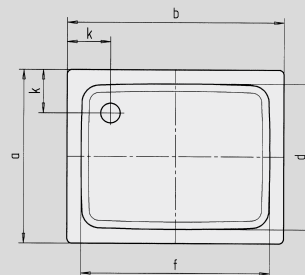
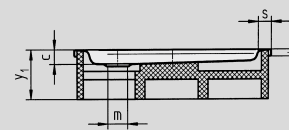


Illustration shows Model 546-2



Model No.		543	544	545
External length	a	750	800	900 mm
External width	b	900	900	900 mm
Depth	c	65	65	65 mm
Internal length	d	620	670	770 mm
Internal width	f	770	770	770 mm
Height of rim	i	32	32	32 mm
Distance tray edge to centre of drain hole	k	200	200	200 mm
Diameter of drain hole	m	90	90	90 mm
Width of rim	s	65	65	65 mm
Height with support	y ₁	160	160	160 mm
Weight of the enamelled shower tray in kg		20	21	24
Anti-slip		∅ 435	∅ 435	∅ 588 mm

Subject to technical alterations, tolerances and errors. Similar illustration.

KALDEWEI

	Waste hole	Model Order No.	Dimensions cm	Colour price groups				EUR
				I (alpine white)	II	III	IV	
DUSCHPLAN optional shower tray foot frame FR Mod. 5300	∅ 9 cm	543-1 4409 0001 xxxx 544-1 4404 0001 xxxx 545-1 4403 0001 xxxx	75 x 90 x 6,5 80 x 90 x 6,5 90 x 90 x 6,5					
DUSCHPLAN with polystyrene support Total height incl. support: 16 cm	∅ 9 cm	543-2 4409 4804 xxxx 544-2 4404 4804 xxxx 545-2 4403 4804 xxxx	75 x 90 x 6,5 80 x 90 x 6,5 90 x 90 x 6,5					
ACCESSORIES REQUIRED - WASTE FITTINGS (Not in combination with ESR II)								
Shower tray foot frame FR see page 280		5300 5300 0012 0000	Size adjustment up to max. 90 x 90 cm					
		5300 5300 0013 0000	Size adjustment up to max. 120 x 120 cm					
and								
Waste fitting KA 90 Waste cover chrome		4047 6877 4047 0999						
or								
Waste fitting KA 90 extra flat Waste cover chrome		4051 6877 4051 0999						
or								
Waste fitting KA 90 ultra flat Waste cover chrome		4451 6877 4451 0999						
or								
Waste fitting KA 90 vertical Waste cover chrome		4055 6877 4055 0999						
and								
Hair catcher KA 90		6877 4042 0000						
or								
Waste fitting diameter 9 cm vertical Discontinued in 2016. Delivery subject to availability.		4087 6897 1066 0999						
or								
Waste fitting diameter 9 cm Discontinued in 2016. Delivery subject to availability.		4088 6897 1065 0999						
All presented waste fittings include a p-trap inside the waste fittings. Please find the complete product range of waste fittings on page 288.								
MAS 5305 Central Support System for shower tray foot frame FR 5300 or ESR II								
		6880 7653 0000	for side lengths longer than 90 cm					
OPTIONAL SURFACE FINISHES								
Extra charge for easy-clean finish		xxxxxxx3xxx						
Anti-slip Anti-slip enamel								
Please take into account when ordering anti-slip and full anti-slip finish the configuration of the KALDEWEI item number (see page 354). More information can be found on page 294 - 297.								

Further dimensions can be found on the following pages. Dimensions ESR II see page 279.

DUSCHPLAN

- a classic among shower trays
- modern, clear design only 65 mm deep
- available in rectangular or square design
- made of KALDEWEI steel enamel
- flush-fitting recessed waste cover (only in combination with the KA 90 waste fittings)



Similar illustration

	Total height	Fitting height
KA 90	145	81
KA 90 extra flat	134	70
KA 90 ultra flat	125	61
KA 90 vertical	49	81

See page 275.

Illustration shows Model 545-2

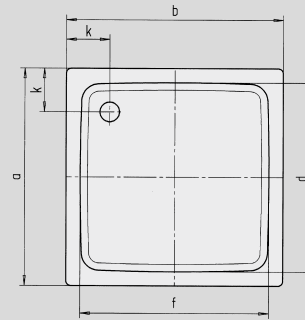
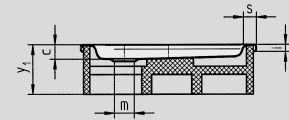
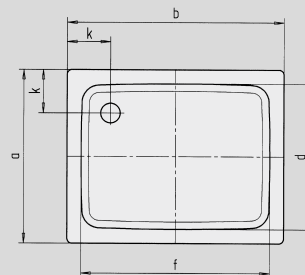
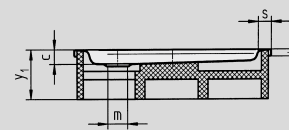


Illustration shows Model 546-2



Model No.		416	546	418
External length	a	750	800	900 mm
External width	b	1000	1000	1000 mm
Depth	c	65	65	65 mm
Internal length	d	620	670	770 mm
Internal width	f	870	870	870 mm
Height of rim	i	32	32	32 mm
Distance tray edge to centre of drain hole	k	200	200	200 mm
Diameter of drain hole	m	90	90	90 mm
Width of rim	s	65	65	65 mm
Height with support	y ₁	160	160	160 mm
Weight of the enamelled shower tray in kg		22	23	26
Anti-slip		∅ 435	∅ 588	∅ 588 mm

Subject to technical alterations, tolerances and errors. Similar illustration.

KALDEWEI

	Waste hole	Model Order No.	Dimensions cm	Colour price groups				EUR
				I (alpine white)	II	III	IV	
DUSCHPLAN optional shower tray foot frame FR Mod. 5300	∅ 9 cm	416-1 43160001xxxx 546-1 44010001xxxx 418-1 43180001xxxx	75 x 100 x 6,5 80 x 100 x 6,5 90 x 100 x 6,5					
DUSCHPLAN with polystyrene support Total height incl. support: 16 cm	∅ 9 cm	416-2 43164804xxxx 546-2 44014804xxxx 418-2 43184804xxxx	75 x 100 x 6,5 80 x 100 x 6,5 90 x 100 x 6,5					
ACCESSORIES REQUIRED - WASTE FITTINGS (Not in combination with ESR II)								
Shower tray foot frame FR see page 280		5300 530000120000	Size adjustment up to max. 90 x 90 cm					
		5300 530000130000	Size adjustment up to max. 120 x 120 cm					
and								
Waste fitting KA 90 Waste cover chrome		4047 687740470999						
or								
Waste fitting KA 90 extra flat Waste cover chrome		4051 687740510999						
or								
Waste fitting KA 90 ultra flat Waste cover chrome		4451 687744510999						
or								
Waste fitting KA 90 vertical Waste cover chrome		4055 687740550999						
and								
Hair catcher KA 90		687740420000						
or								
Waste fitting diameter 9 cm vertical Discontinued in 2016. Delivery subject to availability.		4087 689710660999						
or								
Waste fitting diameter 9 cm Discontinued in 2016. Delivery subject to availability.		4088 689710650999						
All presented waste fittings include a p-trap inside the waste fittings. Please find the complete product range of waste fittings on page 288.								
MAS 5305 Central Support System for shower tray foot frame FR 5300 or ESR II								
		688076530000	for side lengths longer than 90 cm					
OPTIONAL SURFACE FINISHES								
Extra charge for easy-clean finish		xxxxxxx3xxx						
Anti-slip Anti-slip enamel								
Please take into account when ordering anti-slip and full anti-slip finish the configuration of the KALDEWEI item number (see page 354). More information can be found on page 294 - 297.								

Further dimensions can be found on the following pages. Dimensions ESR II see page 279.

DUSCHPLAN

- a classic among shower trays
- modern, clear design only 65 mm deep
- available in rectangular or square design
- made of KALDEWEI steel enamel
- flush-fitting recessed waste cover
(only in combination with the KA 90 waste fittings)



Similar illustration

	Total height	Fitting height
KA 90	145	81
KA 90 extra flat	134	70
KA 90 ultra flat	125	61
KA 90 vertical	49	81

See page 275.

Illustration shows Model 392-2

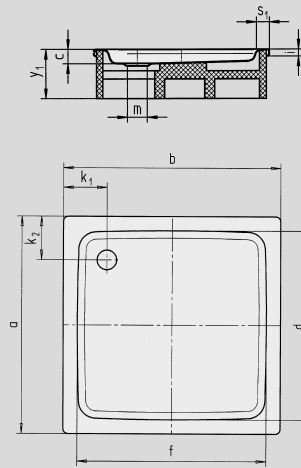
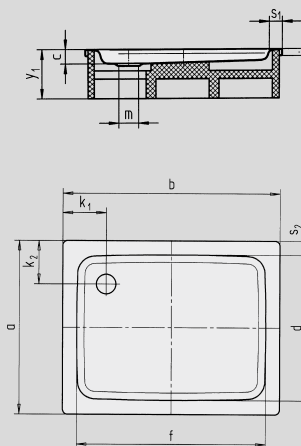


Illustration shows Model 419-2



Model No.		392	419	415	417
External length	a	1000	900	700	750 mm
External width	b	1000	1100	1200	1200 mm
Depth	c	65	65	65	65 mm
Internal length	d	870	770	570	570 mm
Internal width	f	870	970	1070	1070 mm
Height of rim	i	32	32	32	32 mm
Distance tray edge to centre of drain hole	k ₁ ; k ₂	200	200	200	200, 225 mm
Diameter of drain hole	m	90	90	90	90 mm
Width of rim	s ₁ ; s ₂	65	65, 65	65, 65	65, 90 mm
Height with support	y ₁	160	160	160	160 mm
Weight of the enamelled shower tray in kg		28	28	24	26
Anti-slip		Ø 588	Ø 588	Ø 435	Ø 435 mm

Subject to technical alterations, tolerances and errors. Similar illustration.

KALDEWEI

	Waste hole	Model Order No.	Dimensions cm	Colour price groups				EUR
				I (alpine white)	II	III	IV	
DUSCHPLAN optional shower tray foot frame FR Mod. 5300	∅ 9 cm	392-1 44020001xxxx 419-1 43190001xxxx 415-1 43150001xxxx 417-1 43170001xxxx	100 x 100 x 6,5 90 x 110 x 6,5 70 x 120 x 6,5 75 x 120 x 6,5					
DUSCHPLAN with polystyrene support Total height incl. support: 16 cm	∅ 9 cm	392-2 44024804xxxx 419-2 43194804xxxx 415-2 43154804xxxx 417-2 43174804xxxx	100 x 100 x 6,5 90 x 110 x 6,5 70 x 120 x 6,5 75 x 120 x 6,5					
ACCESSORIES REQUIRED – WASTE FITTINGS (Not in combination with ESR II)								
Shower tray foot frame FR see page 280		5300 530000130000	Size adjustment up to max. 120 x 120 cm					
and								
Waste fitting KA 90 Waste cover chrome		4047 687740470999						
or								
Waste fitting KA 90 extra flat Waste cover chrome		4051 687740510999						
or								
Waste fitting KA 90 ultra flat Waste cover chrome		4451 687744510999						
or								
Waste fitting KA 90 vertical Waste cover chrome		4055 687740550999						
and								
Hair catcher KA 90		687740420000						
or								
Waste fitting diameter 9 cm vertical Discontinued in 2016. Delivery subject to availability.		4087 689710660999						
or								
Waste fitting diameter 9 cm Discontinued in 2016. Delivery subject to availability.		4088 689710650999						
All presented waste fittings include a p-trap inside the waste fittings. Please find the complete product range of waste fittings on page 288.								
MAS 5305 Central Support System for shower tray foot frame FR 5300 or ESR II		688076530000	for side lengths longer than 90 cm					
OPTIONAL SURFACE FINISHES								
Extra charge for easy-clean finish		xxxxxxx3xxx						
Anti-slip Anti-slip enamel								
Please take into account when ordering anti-slip and full anti-slip finish the configuration of the KALDEWEI item number (see page 354). More information can be found on page 294-297.								

Further dimensions can be found on the following page. Dimensions ESR II see page 279.

DUSCHPLAN

- a classic among shower trays
- modern, clear design only 65 mm deep
- available in rectangular or square design
- made of KALDEWEI steel enamel
- flush-fitting recessed waste cover
(only in combination with the KA 90 waste fittings)



Similar illustration

	Total height	Fitting height
KA 90	145	81
KA 90 extra flat	134	70
KA 90 ultra flat	125	61
KA 90 vertical	49	81

See page 275.

Illustration shows Model 392-2

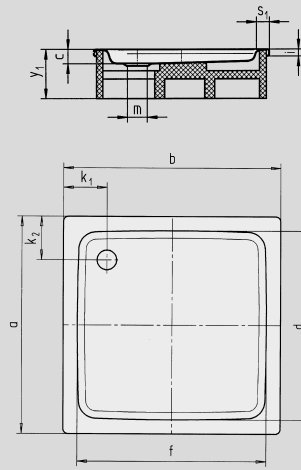
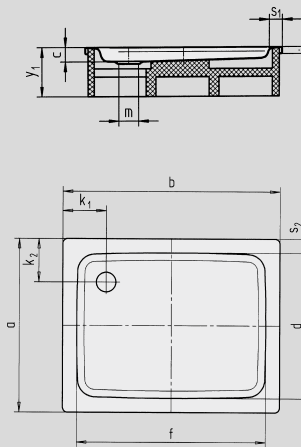


Illustration shows Model 419-2



Model No.		555	420	421	422
External length	a	800	900	1000	1200 mm
External width	b	1200	1200	1200	1200 mm
Depth	c	65	65	65	65 mm
Internal length	d	670	770	870	1070 mm
Internal width	f	1070	1070	1070	1070 mm
Height of rim	i	32	32	32	32 mm
Distance tray edge to centre of drain hole	k ₁ ; k ₂	200	200	200	200 mm
Diameter of drain hole	m	90	90	90	90 mm
Width of rim	s ₁ ; s ₂	65	65, 65	65, 65	65 mm
Height with support	y ₁	160	160	160	160 mm
Weight of the enamelled shower tray in kg		26	31	34	40
Anti-slip		Ø 588	Ø 588	Ø 588	Ø 588 mm

Subject to technical alterations, tolerances and errors. Similar illustration.

KALDEWEI

	Waste hole	Model Order No.	Dimensions cm	Colour price groups				EUR
				I (alpine white)	II	III	IV	
DUSCHPLAN optional shower tray foot frame FR Mod. 5300	∅ 9 cm	555-1 44820001xxxx	80 x 120 x 6,5					
		420-1 43200001xxxx	90 x 120 x 6,5					
		421-1 43210001xxxx	100 x 120 x 6,5					
		422-1 43220001xxxx	120 x 120 x 6,5					
DUSCHPLAN with polystyrene support Total height incl. support: 16 cm	∅ 9 cm	555-2 44824804xxxx	80 x 120 x 6,5					
		420-2 43204804xxxx	90 x 120 x 6,5					
		421-2 43214804xxxx	100 x 120 x 6,5					
		422-2 43224804xxxx	120 x 120 x 6,5					
ACCESSORIES REQUIRED – WASTE FITTINGS (Not in combination with ESR II)								
Shower tray foot frame FR see page 280		5300 530000130000	Size adjustment up to max. 120 x 120 cm					
and								
Waste fitting KA 90 Waste cover chrome		4047 687740470999						
or								
Waste fitting KA 90 extra flat Waste cover chrome		4051 687740510999						
or								
Waste fitting KA 90 ultra flat Waste cover chrome		4451 687744510999						
or								
Waste fitting KA 90 vertical Waste cover chrome		4055 687740550999						
and								
Hair catcher KA 90		687740420000						
or								
Waste fitting diameter 9 cm vertical Discontinued in 2016. Delivery subject to availability.		4087 689710660999						
or								
Waste fitting diameter 9 cm Discontinued in 2016. Delivery subject to availability.		4088 689710650999						
All presented waste fittings include a p-trap inside the waste fittings. Please find the complete product range of waste fittings on page 288.								
MAS 5305 Central Support System for shower tray foot frame FR 5300 or ESR II		688076530000	for side lengths longer than 90 cm					
OPTIONAL SURFACE FINISHES								
Extra charge for easy-clean finish		xxxxxxx3xxx						
Anti-slip Anti-slip enamel								
Please take into account when ordering anti-slip and full anti-slip finish the configuration of the KALDEWEI item number (see page 354). More information can be found on page 294-297.								

Further dimensions can be found on the following page. Dimensions ESR II see page 279.

DUSCHPLAN XXL

- generous dimensions ideal for showering with a friend
- a classic among shower trays
- modern, clear design only 65 mm deep
- made of KALDEWEI steel enamel
- flush-fitting recessed waste cover (only in combination with the KA 90 waste fittings)

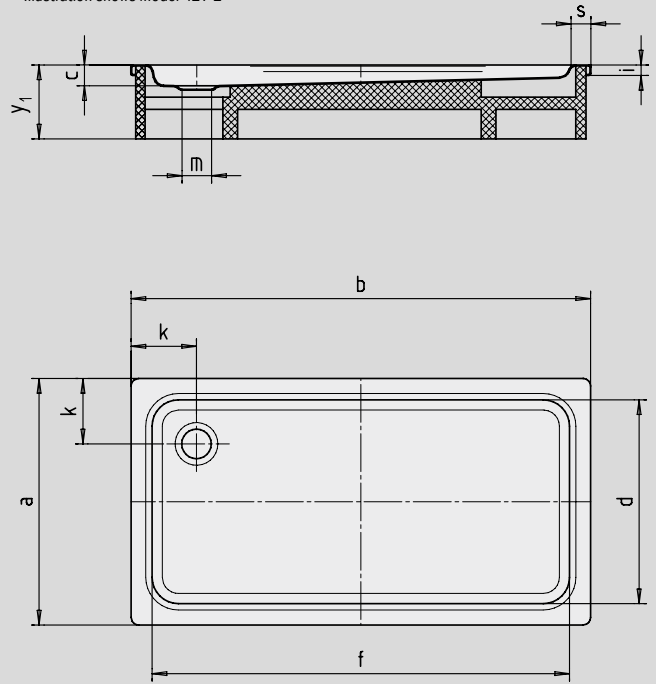


Similar illustration

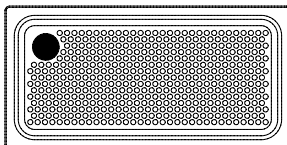
	Total height	Fitting height
KA 90	145	81
KA 90 extra flat	134	70
KA 90 ultra flat	125	61
KA 90 vertical	49	81

See page 275.

Illustration shows Model 427-2



Model No.		423	425	427	424	426
External length	a	700	750	1000	700	750 mm
External width	b	1400	1400	1400	1700	1700 mm
Depth	c	65	65	65	65	65 mm
Internal length	d	570	620	870	570	670 mm
Internal width	f	1270	1270	1270	1570	1570 mm
Height of rim	i	32	32	32	32	32 mm
Distance tray edge to centre of drain hole	k	200	200	200	200	200 mm
Diameter of drain hole	m	90	90	90	90	90 mm
Width of rim	s	65	65	65	65	65 mm
Height with support	y ₁	160	160	160	160	160 mm
Weight of the enamelled shower tray in kg		27	29	38	33	35
Anti-slip		856 x 300	856 x 300	856 x 549	856 x 300	856 x 300 mm
Full anti-slip		1195 x 493	1195 x 555	1195 x 804	1501 x 493	1501 x 555 mm



The TÜV Rheinland confirms the following properties of KALDEWEI's anti-slip and full anti-slip finish:

- Assessment group **B** for wet barefoot areas (**DIN 51097**)
- Assessment group **R 10** for slip-resistant properties in work rooms and areas with an increased risk of slipping (**DIN 51130**)

All DUSCHPLAN XXL models are available with **full anti-slip** finish.

	Waste hole	Model Order No.	Dimensions cm	Colour price groups				EUR
				I (alpine white)	II	III	IV	
DUSCHPLAN XXL optional shower tray foot frame FR Mod. 5300	∅ 9 cm	423-1 4323 0001 xxxx 425-1 4325 0001 xxxx 427-1 4327 0001 xxxx 424-1 4324 0001 xxxx 426-1 4326 0001 xxxx	70 x 140 x 6,5 75 x 140 x 6,5 100 x 140 x 6,5 70 x 170 x 6,5 75 x 170 x 6,5					
with polystyrene support Total height incl. support: 16 cm	∅ 9 cm	423-2 4323 4804 xxxx 425-2 4325 4804 xxxx 427-2 4327 4804 xxxx 424-2 4324 4804 xxxx 426-2 4326 4804 xxxx	70 x 140 x 6,5 75 x 140 x 6,5 100 x 140 x 6,5 70 x 170 x 6,5 75 x 170 x 6,5					
ACCESSORIES REQUIRED – WASTE FITTINGS (Not in combination with ESR II)								
Shower tray foot frame FR see page 280		5300 5300 0014 0000	Frame 150/180 suitable for shower trays from 130 – 180 cm					
and								
Waste fitting KA 90 Waste cover chrome		4047 6877 4047 0999						
or								
Waste fitting KA 90 extra flat Waste cover chrome		4051 6877 4051 0999						
or								
Waste fitting KA 90 ultra flat Waste cover chrome		4451 6877 4451 0999						
or								
Waste fitting KA 90 vertical Waste cover chrome		4055 6877 4055 0999						
and								
Hair catcher KA 90		6877 4042 0000						
or								
Waste fitting diameter 9 cm vertical Discontinued in 2016. Delivery subject to availability.		4087 6897 1066 0999						
or								
Waste fitting diameter 9 cm Discontinued in 2016. Delivery subject to availability.		4088 6897 1065 0999						
All presented waste fittings include a p-trap inside the waste fittings. Please find the complete product range of waste fittings on page 288.								
MAS 5305 Central Support System for shower tray foot frame FR 5300 or ESR II		6880 7653 0000	for side lengths longer than 90 cm					
OPTIONAL SURFACE FINISHES								
Extra charge for easy-clean finish		xxxxxxx3xxx						
Anti-slip Anti-slip enamel								
or								
Full anti-slip Full anti-slip enamel								
Please take into account when ordering anti-slip and full anti-slip finish the configuration of the KALDEWEI item number (see page 354). More information can be found on page 294 - 297.								

FONTANA

- quad shower tray with unusual design
- space-saving shape
- generous standing area with lots of room to move when showering
- made of KALDEWEI steel enamel
- flush-fitting recessed waste cover
(only in combination with the KA 90 waste fittings)

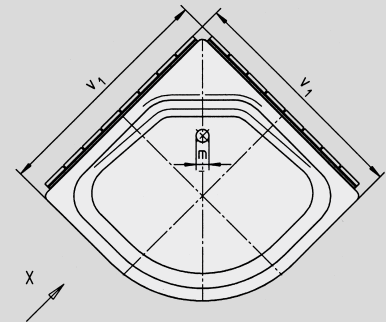
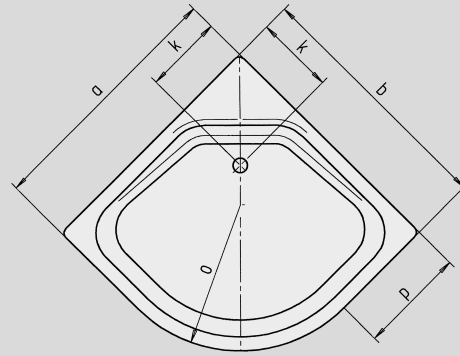
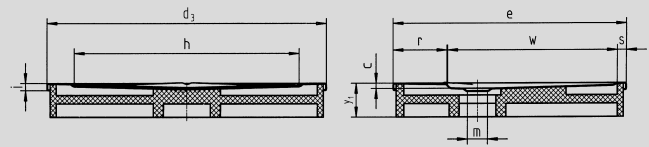


Similar illustration

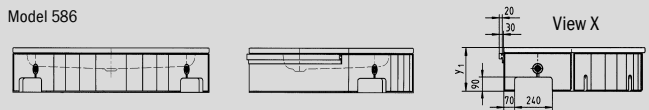
Modell	Total height				Fitting height			
	594	564	583	586	594	564	583	586
KA 90	105	105	145	145	81	81	81	81
KA 90 extra flat	94	94	134	134	70	70	70	70
KA 90 ultra flat	85	85	125	125	61	61	61	61
KA 90 vertical	49	49	49	49	81	81	81	81

See page 275.

Illustration shows Model 564 with support



Model 586



Model No.	594	564	583	586	
External length	a	800	900	800	900 mm
External width	b	800	900	800	900 mm
Depth	c	25	25	65	65 mm
Corner dimension - external length	d ₃	1110	1260	1120	1260 mm
Corner dimension - external width	e	905	1050	910	1050 mm
Corner dimension - internal length	h	885	1030	880	1030 mm
Height of rim	i	32	32	32	32 mm
Distance tray edge to centre of drain hole	k	275	275	275	275 mm
Diameter of drain hole	m	90	90	90	90 mm
External radius	o	520	520	520	520 mm
Side length	p	280	380	280	380 mm
Corner dimension - sitting area	r	200	250	200	250 mm
Width of rim	s	50	50	50	50 mm
Contour height above rim	t _e	1	1	1	1 mm
External length/width incl. support	v ₁	-	-	830	930 mm
Corner dimension - internal width	w	665	750	670	720 mm
Height with support	y ₁	120	120	215	215 mm
Weight of the enamelled shower tray in kg		18	21	18	21
Anti-slip		∅ 289	∅ 435	∅ 289	∅ 435 mm

Subject to technical alterations, tolerances and errors. Similar illustration.

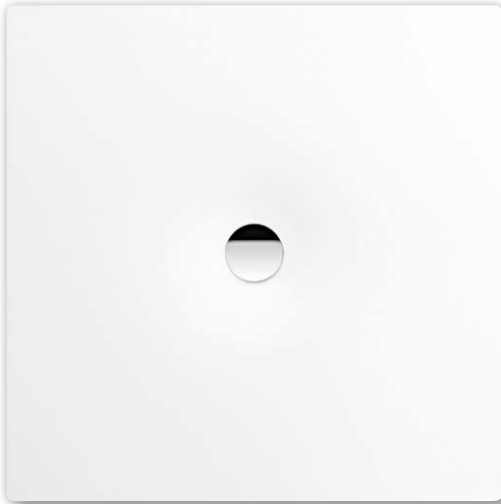
	Waste hole	Model Order No.	Dimensions cm	Colour price groups				EUR
				I (alpine white)	II	III	IV	
FONTANA	∅ 9 cm	594-1 4448 0001 xxxx	80 x 80 x 2,5					
	∅ 9 cm	564-1 4459 0001 xxxx	90 x 90 x 2,5					
	∅ 9 cm	583-1 4453 0001 xxxx	80 x 80 x 6,5					
	∅ 9 cm	586-1 4452 0001 xxxx	90 x 90 x 6,5					
with polystyrene support Total height incl. support: 12 cm	∅ 9 cm	594-2 4448 4804 xxxx	80 x 80 x 2,5					
	∅ 9 cm	564-2 4459 4804 xxxx	90 x 90 x 2,5					
with polystyrene support Access point on two sides Total height incl. support: 21,5 cm (6,5 cm deep version) 28 cm (13 cm deep version)	∅ 9 cm	583-2 4453 4804 xxxx	80 x 80 x 6,5					
	∅ 9 cm	586-2 4452 4804 xxxx	90 x 90 x 6,5					
ACCESSORIES REQUIRED – WASTE FITTINGS (Not in combination with ESR II)								
Waste fitting KA 90 Waste cover chrome		4047 6877 4047 0999						
or								
Waste fitting KA 90 extra flat Waste cover chrome		4051 6877 4051 0999						
or								
Waste fitting KA 90 ultra flat Waste cover chrome		4451 6877 4451 0999						
or								
Waste fitting KA 90 vertical Waste cover chrome		4055 6877 4055 0999						
and								
Hair catcher KA 90		6877 4042 0000						
or								
Waste fitting diameter 9 cm vertical Discontinued in 2016. Delivery subject to availability.		4087 6897 1066 0999						
or								
Waste fitting diameter 9 cm Discontinued in 2016. Delivery subject to availability.		4088 6897 1065 0999						
All presented waste fittings include a p-trap inside the waste fittings. Please find the complete product range of waste fittings on page 288.								
ACCESSORIES REQUIRED – INSTALLATION SYSTEMS								
		Order No.	Dimensions of the shower tray cm	Dimensions ESR II cm			EUR	
ESR II installation system for FONTANA depth 2,5 cm Special waste fitting required for ESR II see page 276/279		5845 7446 0000 5845 7447 0000	80 x 80 90 x 90	82,8 x 82,8 92,8 x 92,8				
and								
Waste fitting KA 90 for ESR II with anti-seepage connection		4048 6877 4048 0999						
or								
Waste fitting KA 90 extra flat for ESR II with anti-seepage connection		4052 6877 4052 0999						
or								
Waste fitting KA 90 ultra flat for ESR II with anti-seepage connection		4452 6877 4452 0999						
or								
Waste fitting KA 90 vertical for ESR II with anti-seepage connection		4056 6877 4056 0999						
and								
Hair catcher KA 90		6877 4042 0000						
MAS 5305 Central Support System for shower trays with assembly or installation frame		6880 7653 0000	for side lengths longer than 90 cm					
or								
Shower tray feet UNIVERSAL 5 bearing supports for FONTANA depth 13 cm, see page 284		5200 5843 7700 0000	Size adjustment up to max. 90 x 90 cm					
OPTIONAL SURFACE FINISHES								
Extra charge for easy-clean finish		xxxxxxx3xxx						
Anti-slip Anti-slip enamel								
Please take into account when ordering anti-slip and full anti-slip finish the configuration of the KALDEWEI item number (see page 354). More information can be found on page 294 - 297.								

Further dimensions can be found on the following page. Dimensions ESR II see page 279.

Further accessories can be found on page 275. Available colours see page 298. • = separate accessory. For more information on the 12-digit KALDEWEI Article Number see page 354.

SCONA

- harmonious design with centrally-placed waste
- can be installed absolutely flush to floor
- also available in the shades of the Coordinated Colours Collection
- made of KALDEWEI steel enamel
- flush-fitting recessed waste cover (only in combination with the KA 90 waste fittings)

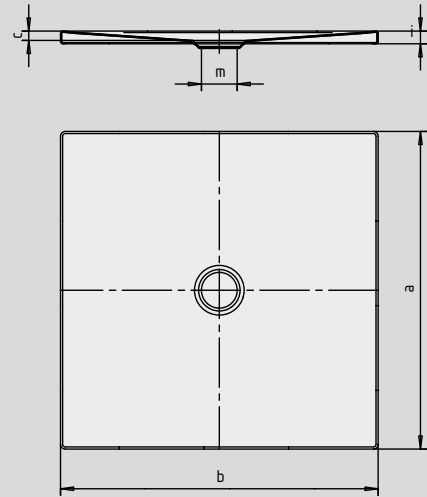


Similar illustration

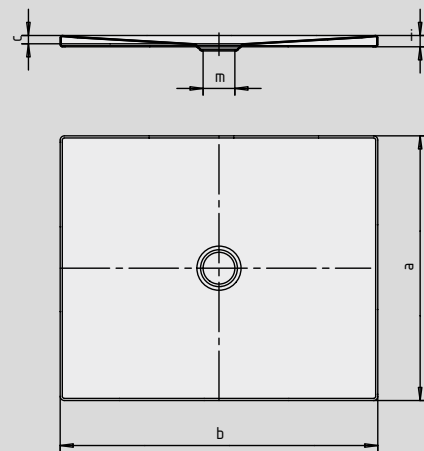
	Total height	Fitting height
KA 90	103	81
KA 90 extra flat	92	70
KA 90 ultra flat	83	61
KA 90 vertical	49	81

See page 275.

Model 913

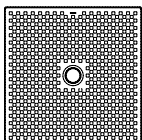


Model 912



SECURE⁺

Model No.	908	911	940	912	941	913	942	914	915	
External length	a	750	800	700	750	800	900	750	800	900 mm
External width	b	800	800	900	900	900	1000	1000	1000	1000 mm
Depth	c	23	23	23	23	23	23	23	23	23 mm
Height of rim	i	32	32	32	32	32	32	32	32	32 mm
Diameter of drain hole	m	90	90	90	90	90	90	90	90	90 mm
Weight of the enamelled shower tray in kg		16	17	17	18	19	21	20	21	23
Anti-slip		492 x 492	492 x 492	492 x 492	492 x 492	492 x 492	492 x 492	492 x 492	492 x 492	492 x 492 mm
Full anti-slip		692 x 740	740 x 740	644 x 836	692 x 836	740 x 836	836 x 836	692 x 932	740 x 932	836 x 932 mm



The TÜV Rheinland confirms the following properties of KALDEWEI's anti-slip and full anti-slip finish:

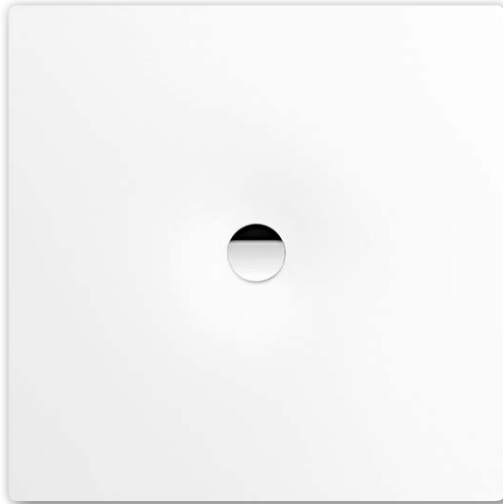
- Assessment group **B** for wet barefoot areas (**DIN 51097**)
- Assessment group **R 10** for slip-resistant properties in work rooms and areas with an increased risk of slipping (**DIN 51130**)

All SCONA models are available with **KALDEWEI SECURE PLUS** and **full anti-slip** finish.

	Waste hole	Model Order No.	Dimensions cm	Colour price groups				EUR
				I (alpine white)	II	III	IV	
SCONA flush fit of waste cover and shower surface requires use the KA 90 waste fittings optional shower tray foot frame FR or ESR II	∅ 9 cm	908 4908 0001 0001	75 x 80					
		911 4911 0001 xxxx	80 x 80					
		940 4940 0001 0001	70 x 90					
		912 4912 0001 xxxx	75 x 90					
		941 4941 0001 0001	80 x 90					
		913 4913 0001 xxxx	90 x 90					
		942 4942 0001 0001	75 x 100					
		914 4914 0001 xxxx	80 x 100					
		915 4915 0001 xxxx	90 x 100					
		KALDEWEI PROFESSIONAL WASTE SYSTEMS						
Waste fitting KA 90 Waste cover chrome		4047 6877 4047 0999						
or								
Waste fitting KA 90 extra flat Waste cover chrome		4051 6877 4051 0999						
or								
Waste fitting KA 90 ultra flat Waste cover chrome		4451 6877 4451 0999						
or								
Waste fitting KA 90 vertical Waste cover chrome		4055 6877 4055 0999						
and								
Hair catcher KA 90		6877 4042 0000						
KALDEWEI PROFESSIONAL INSTALLATION + WASTE SYSTEMS								
		Order No.	Dimensions Shower trays cm	Dimensions ESR II cm			EUR	
ESR II installation system Requires waste fittings with anti-seepage connection		5845 7400 0000	75 x 80	77,8 x 82,8				
		5845 7401 0000	80 x 80	82,8 x 82,8				
		5845 7402 0000	70 x 90	72,8 x 92,8				
		5845 7403 0000	75 x 90	77,8 x 92,8				
		5845 7404 0000	80 x 90	82,8 x 92,8				
		5845 7405 0000	90 x 90	92,8 x 92,8				
		5845 7406 0000	75 x 100	77,8 x 102,8				
		5845 7407 0000	80 x 100	82,8 x 102,8				
	5845 7408 0000	90 x 100	92,8 x 102,8					
and								
Waste fitting KA 90 for ESR II with anti-seepage connection		4048 6877 4048 0999						
or								
Waste fitting KA 90 extra flat for ESR II with anti-seepage connection		4052 6877 4052 0999						
or								
Waste fitting KA 90 ultra flat for ESR II with anti-seepage connection		4452 6877 4452 0999						
or								
Waste fitting KA 90 vertical for ESR II with anti-seepage connection		4056 6877 4056 0999						
and								
Hair catcher KA 90		6877 4042 0000						
or								
Shower tray foot frame FR		5300 5300 0012 0000	Size adjustment up to max. 90 x 90 cm					
		5300 5300 0013 0000	Size adjustment up to max. 120 x 120 cm					
KALDEWEI PERFECTION SURFACES								
Extra charge for easy-clean finish		xxxxxxx3xxx						
Anti-slip Anti-slip enamel								
or								
Full anti-slip Full anti-slip enamel								
or								
KALDEWEI SECURE PLUS (cannot be combined with easy-clean finish)		xxxxxxx2xxx						

SCONA

- harmonious design with centrally-placed waste
- can be installed absolutely flush to floor
- also available in the shades of the Coordinated Colours Collection
- made of KALDEWEI steel enamel
- flush-fitting recessed waste cover
(only in combination with the KA 90 waste fittings)

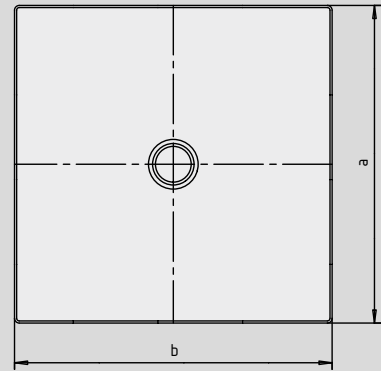
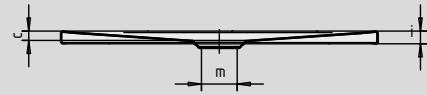


Similar illustration

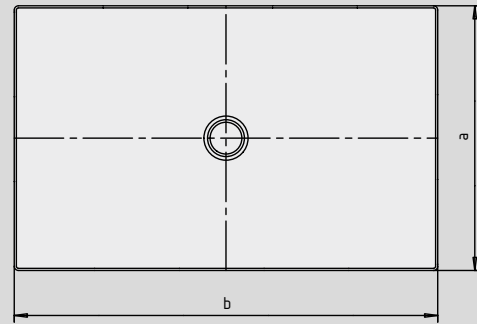
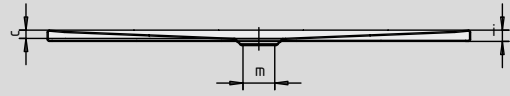
	Total height	Fitting height
KA 90	103	81
KA 90 extra flat	92	70
KA 90 ultra flat	83	61
KA 90 vertical	49	81

See page 275.

Model 966

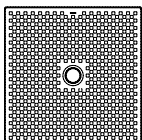


Model 916



SECURE⁺

Model No.		916	943	963	964	965	966	917	918	967
External length	a	1000	800	900	1000	700	750	800	900	1000 mm
External width	b	1000	1100	1100	1100	1200	1200	1200	1200	1200 mm
Depth	c	23	23	23	23	23	23	23	23	23 mm
Height of rim	i	32	32	32	32	32	32	32	32	32 mm
Diameter of drain hole	m	90	90	90	90	90	90	90	90	90 mm
Weight of the enamelled shower tray in kg		26	23	25	27	21	23	25	28	30
Anti-slip		492 x 492	492 x 492	492 x 492	492 x 492	492 x 492	492 x 492	492 x 492	492 x 492	492 x 492 mm
Full anti-slip		932 x 932	740 x 1028	836 x 1028	932 x 1028	644 x 1124	692 x 1124	740 x 1124	836 x 1124	932 x 1124 mm



The TÜV Rheinland confirms the following properties of KALDEWEI's anti-slip and full anti-slip finish:

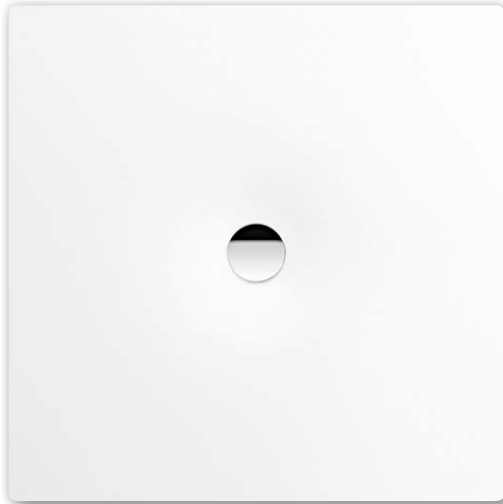
- Assessment group **B** for wet barefoot areas (**DIN 51097**)
- Assessment group **R 10** for slip-resistant properties in work rooms and areas with an increased risk of slipping (**DIN 51130**)

All SCONA models are available with **KALDEWEI SECURE PLUS** and **full anti-slip** finish.

	Waste hole	Model Order No.	Dimensions cm	Colour price groups				EUR	
				I (alpine white)	II	III	IV		
SCONA flush fit of waste cover and shower surface requires use the KA 90 waste fittings optional shower tray foot frame FR or ESR II	Ø 9 cm	916 4916 0001 xxxx	100 x 100						
		943 4943 0001 0001	80 x 110						
		963 4963 0001 0001	90 x 110						
		964 4964 0001 0001	100 x 110						
		965 4965 0001 0001	70 x 120						
		966 4966 0001 0001	75 x 120						
		917 4917 0001 xxxx	80 x 120						
		918 4918 0001 xxxx	90 x 120						
		967 4967 0001 0001	100 x 120						
		KALDEWEI PROFESSIONAL WASTE SYSTEMS							
		Waste fitting KA 90 Waste cover chrome		4047 6877 4047 0999					
or									
Waste fitting KA 90 extra flat Waste cover chrome		4051 6877 4051 0999							
or									
Waste fitting KA 90 ultra flat Waste cover chrome		4451 6877 4451 0999							
or									
Waste fitting KA 90 vertical Waste cover chrome		4055 6877 4055 0999							
and									
Hair catcher KA 90		6877 4042 0000							
KALDEWEI PROFESSIONAL INSTALLATION + WASTE SYSTEMS									
		Order No.	Dimensions Shower trays cm	Dimensions ESR II cm			EUR		
ESR II installation system Requires waste fittings with anti-seepage connection		5845 7409 0000	100 x 100	102,8 x 102,8					
		5845 7410 0000	80 x 110	82,8 x 112,8					
		5845 7411 0000	90 x 110	92,8 x 112,8					
		5845 7449 0000	100 x 110	102,8 x 112,8					
		5845 7412 0000	70 x 120	72,8 x 122,8					
		5845 7413 0000	75 x 120	77,8 x 122,8					
		5845 7414 0000	80 x 120	82,8 x 122,8					
		5845 7415 0000	90 x 120	92,8 x 122,8					
	5845 7416 0000	100 x 120	102,8 x 122,8						
and									
Waste fitting KA 90 for ESR II with anti-seepage connection		4048 6877 4048 0999							
or									
Waste fitting KA 90 extra flat for ESR II with anti-seepage connection		4052 6877 4052 0999							
or									
Waste fitting KA 90 ultra flat for ESR II with anti-seepage connection		4452 6877 4452 0999							
or									
Waste fitting KA 90 vertical for ESR II with anti-seepage connection		4056 6877 4056 0999							
and									
Hair catcher KA 90		6877 4042 0000							
or									
Shower tray foot frame FR		5300 5300 0013 0000	Size adjustment up to max. 120 x 120 cm						
KALDEWEI PERFECTION SURFACES									
Extra charge for easy-clean finish		xxxxxxx3xxx							
Anti-slip Anti-slip enamel									
or									
Full anti-slip Full anti-slip enamel									
or									
KALDEWEI SECURE PLUS (cannot be combined with easy-clean finish)		xxxxxxx2xxx							

SCONA

- harmonious design with centrally-placed waste
- can be installed absolutely flush to floor
- also available in the shades of the Coordinated Colours Collection
- made of KALDEWEI steel enamel
- flush-fitting recessed waste cover (only in combination with the KA 90 waste fittings)

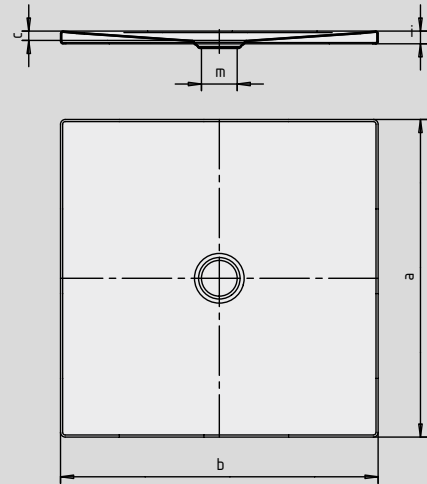


Similar illustration

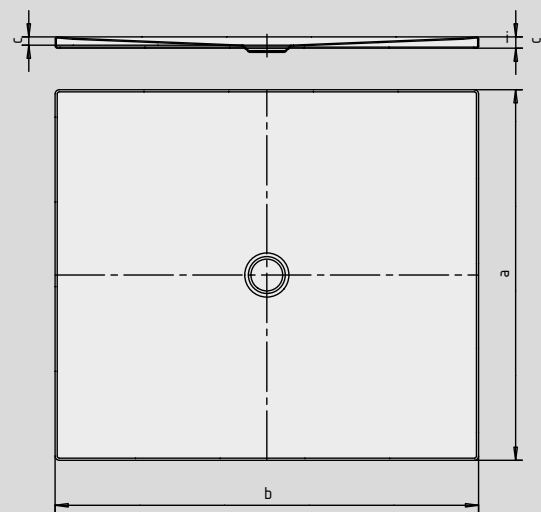
	Total height	Fitting height
KA 90	103	81
KA 90 extra flat	92	70
KA 90 ultra flat	83	61
KA 90 vertical	49	81

See page 275.

Model 968

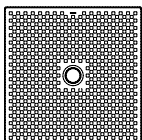


Model 977



SECURE⁺

Model No.	968	969	970	972	974	975	976	919	977	
External length	a	1200	800	900	1000	700	750	800	900	1000 mm
External width	b	1200	1300	1300	1300	1400	1400	1400	1400	1400 mm
Depth	c	23	23	23	23	23	23	23	23	23 mm
Height of rim	i	32	32	32	32	32	32	32	32	32 mm
Diameter of drain hole	m	90	90	90	90	90	90	90	90	90 mm
Weight of the enamelled shower tray in kg		37	26	30	34	25	27	29	31	35
Anti-slip		492 x 492	492 x 492	492 x 492	492 x 492	492 x 492	492 x 492	492 x 492	492 x 492	492 x 492 mm
Full anti-slip		1172 x 1172	740 x 1220	836 x 1220	932 x 1220	644 x 1316	692 x 1316	740 x 1316	836 x 1316	932 x 1316 mm



The TÜV Rheinland confirms the following properties of KALDEWEI's anti-slip and full anti-slip finish:

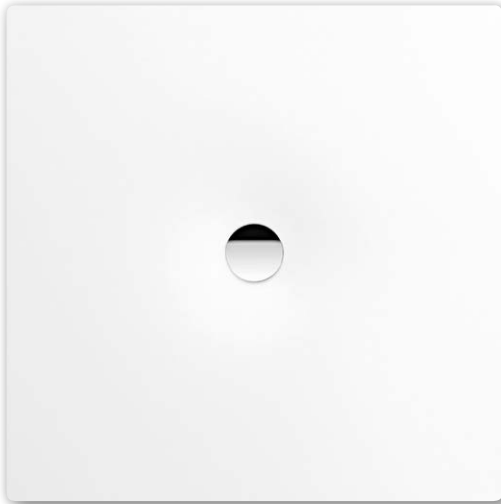
- Assessment group **B** for wet barefoot areas (**DIN 51097**)
- Assessment group **R 10** for slip-resistant properties in work rooms and areas with an increased risk of slipping (**DIN 51130**)

All SCONA models are available with **KALDEWEI SECURE PLUS** and **full anti-slip** finish.

	Waste hole	Model Order No.	Dimensions cm	Colour price groups				EUR	
				I (alpine white)	II	III	IV		
SCONA flush fit of waste cover and shower surface requires use the KA 90 waste fittings optional shower tray foot frame FR or ESR II	Ø 9 cm	968 4968 0001 0001	120 x 120						
		969 4969 0001 0001	80 x 130						
		970 4970 0001 0001	90 x 130						
		972 4972 0001 0001	100 x 130						
		974 4974 0001 0001	70 x 140						
		975 4975 0001 0001	75 x 140						
		976 4976 0001 0001	80 x 140						
		919 4919 0001 xxxx	90 x 140						
		977 4977 0001 0001	100 x 140						
		KALDEWEI PROFESSIONAL WASTE SYSTEMS							
		Waste fitting KA 90 Waste cover chrome		4047 6877 4047 0999					
or									
Waste fitting KA 90 extra flat Waste cover chrome		4051 6877 4051 0999							
or									
Waste fitting KA 90 ultra flat Waste cover chrome		4451 6877 4451 0999							
or									
Waste fitting KA 90 vertical Waste cover chrome		4055 6877 4055 0999							
and									
Hair catcher KA 90		6877 4042 0000							
KALDEWEI PROFESSIONAL INSTALLATION + WASTE SYSTEMS									
		Order No.	Dimensions Shower trays cm	Dimensions ESR II cm			EUR		
ESR II installation system Requires waste fittings with anti-seepage connection		5845 7417 0000	120 x 120	122,8 x 122,8					
		5845 7418 0000	80 x 130	82,8 x 132,8					
		5845 7419 0000	90 x 130	92,8 x 132,8					
		5845 7420 0000	100 x 130	102,8 x 132,8					
		5845 7421 0000	70 x 140	72,8 x 142,8					
		5845 7422 0000	75 x 140	72,8 x 142,8					
		5845 7423 0000	80 x 140	82,8 x 142,8					
		5845 7424 0000	90 x 140	92,8 x 142,8					
	5845 7425 0000	100 x 140	102,8 x 142,8						
and									
Waste fitting KA 90 for ESR II with anti-seepage connection		4048 6877 4048 0999							
or									
Waste fitting KA 90 extra flat for ESR II with anti-seepage connection		4052 6877 4052 0999							
or									
Waste fitting KA 90 ultra flat for ESR II with anti-seepage connection		4452 6877 4452 0999							
or									
Waste fitting KA 90 vertical for ESR II with anti-seepage connection		4056 6877 4056 0999							
and									
Hair catcher KA 90		6877 4042 0000							
or									
Shower tray foot frame FR		5300 5300 0013 0000	Size adjustment up to max. 120 x 120 cm						
		5300 5300 0014 0000	Size adjustment up to max. 150 x 180 cm						
KALDEWEI PERFECTION SURFACES									
Extra charge for easy-clean finish		xxxxxxx3xxx							
Anti-slip Anti-slip enamel			≤ 120 x 120						
			> 120 x 120						
or									
Full anti-slip Full anti-slip enamel			≤ 120 x 120						
			> 120 x 120						
or									
KALDEWEI SECURE PLUS (cannot be combined with easy-clean finish)		xxxxxxx2xxx	≤ 120 x 120						
			> 120 x 120						

SCONA

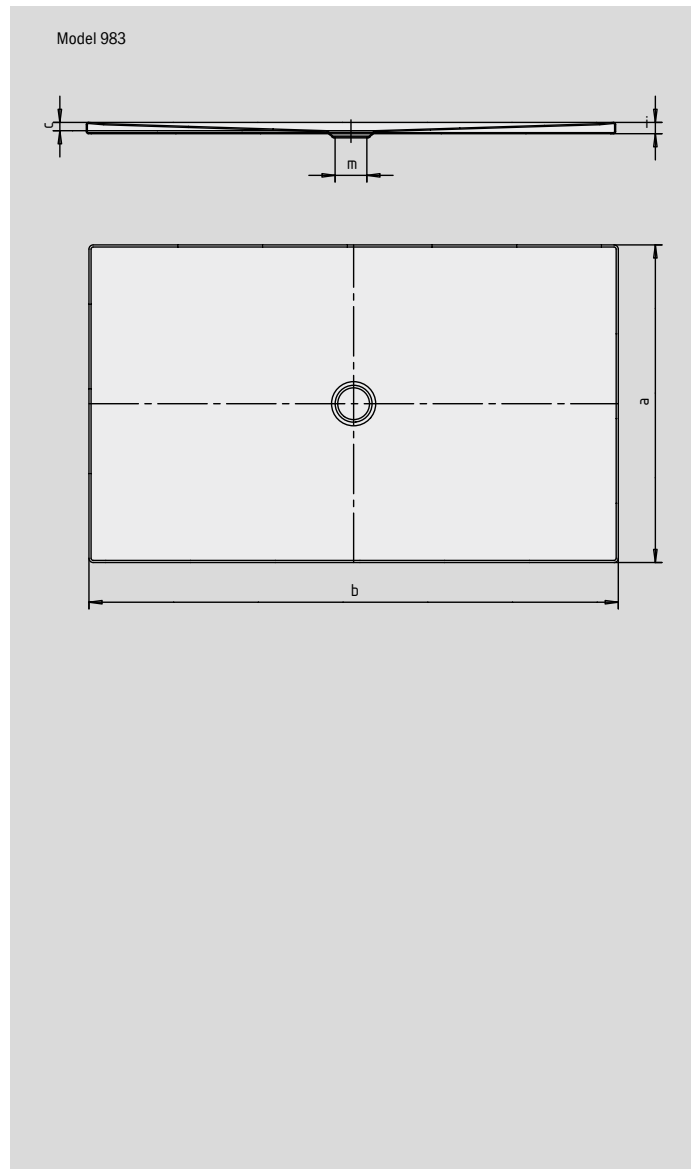
- harmonious design with centrally-placed waste
- can be installed absolutely flush to floor
- also available in the shades of the Coordinated Colours Collection
- made of KALDEWEI steel enamel
- flush-fitting recessed waste cover
(only in combination with the KA 90 waste fittings)



Similar illustration

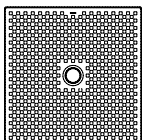
	Total height	Fitting height
KA 90	103	81
KA 90 extra flat	92	70
KA 90 ultra flat	83	61
KA 90 vertical	49	81

See page 275.



SECURE⁺

Model No.		978	979	982	983	984	985	986	987	988
External length	a	700	750	800	900	1000	700	750	800	900 mm
External width	b	1500	1500	1500	1500	1500	1600	1600	1600	1600 mm
Depth	c	23	23	23	23	23	23	23	23	23 mm
Height of rim	i	32	32	32	32	32	32	32	32	32 mm
Diameter of drain hole	m	90	90	90	90	90	90	90	90	90 mm
Weight of the enamelled shower tray in kg		28	31	33	35	38	28	30	35	36
Anti-slip		492 x 492	492 x 492	492 x 492	492 x 492	492 x 492	492 x 492	492 x 492	492 x 492	492 x 492 mm
Full anti-slip		644 x 1412	692 x 1412	740 x 1412	836 x 1412	932 x 1412	644 x 1508	692 x 1556	740 x 1556	836 x 1556 mm



The TÜV Rheinland confirms the following properties of KALDEWEI's anti-slip and full anti-slip finish:

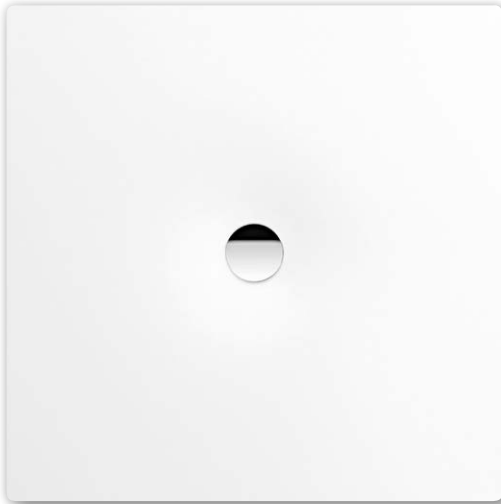
- Assessment group **B** for wet barefoot areas (**DIN 51097**)
- Assessment group **R 10** for slip-resistant properties in work rooms and areas with an increased risk of slipping (**DIN 51130**)

All SCONA models are available with **KALDEWEI SECURE PLUS** and **full anti-slip** finish.

	Waste hole	Model Order No.	Dimensions cm	Colour price groups				EUR	
				I (alpine white)	II	III	IV		
SCONA flush fit of waste cover and shower surface requires use the KA 90 waste fittings optional shower tray foot frame FR or ESR II	∅ 9 cm	978 497800010001	70 x 150						
		979 497900010001	75 x 150						
		982 498200010001	80 x 150						
		983 498300010001	90 x 150						
		984 498400010001	100 x 150						
		985 498500010001	70 x 160						
		986 498600010001	75 x 160						
		987 498700010001	80 x 160						
		988 498800010001	90 x 160						
		KALDEWEI PROFESSIONAL WASTE SYSTEMS							
		Waste fitting KA 90 Waste cover chrome		4047 687740470999					
or									
Waste fitting KA 90 extra flat Waste cover chrome		4051 687740510999							
or									
Waste fitting KA 90 ultra flat Waste cover chrome		4451 687744510999							
or									
Waste fitting KA 90 vertical Waste cover chrome		4055 687740550999							
and									
Hair catcher KA 90		687740420000							
KALDEWEI PROFESSIONAL INSTALLATION + WASTE SYSTEMS									
		Order No.	Dimensions Shower trays cm	Dimensions ESR II cm			EUR		
ESR II installation system Requires waste fittings with anti-seepage connection		584574260000	70 x 150	72,8 x 152,8					
		584574270000	75 x 150	77,8 x 152,8					
		584574510000	80 x 150	82,8 x 152,8					
		584574280000	90 x 150	92,8 x 152,8					
		584574290000	100 x 150	102,8 x 152,8					
		584574310000	70 x 160	72,8 x 162,8					
		584574320000	75 x 160	77,8 x 162,8					
		584574500000	80 x 160	82,8 x 162,8					
	584574330000	90 x 160	92,8 x 162,8						
and									
Waste fitting KA 90 for ESR II with anti-seepage connection		4048 687740480999							
or									
Waste fitting KA 90 extra flat for ESR II with anti-seepage connection		4052 687740520999							
or									
Waste fitting KA 90 ultra flat for ESR II with anti-seepage connection		4452 687744520999							
or									
Waste fitting KA 90 vertical for ESR II with anti-seepage connection		4056 687740560999							
and									
Hair catcher KA 90		687740420000							
or									
Shower tray foot frame FR		5300 530000140000	Size adjustment up to max. 150 x 180 cm						
KALDEWEI PERFECTION SURFACES									
Extra charge for easy-clean finish		xxxxxxx3xxx							
Anti-slip Anti-slip enamel									
or									
Full anti-slip Full anti-slip enamel									
or									
KALDEWEI SECURE PLUS (cannot be combined with easy-clean finish)		xxxxxxx2xxx							

SCONA

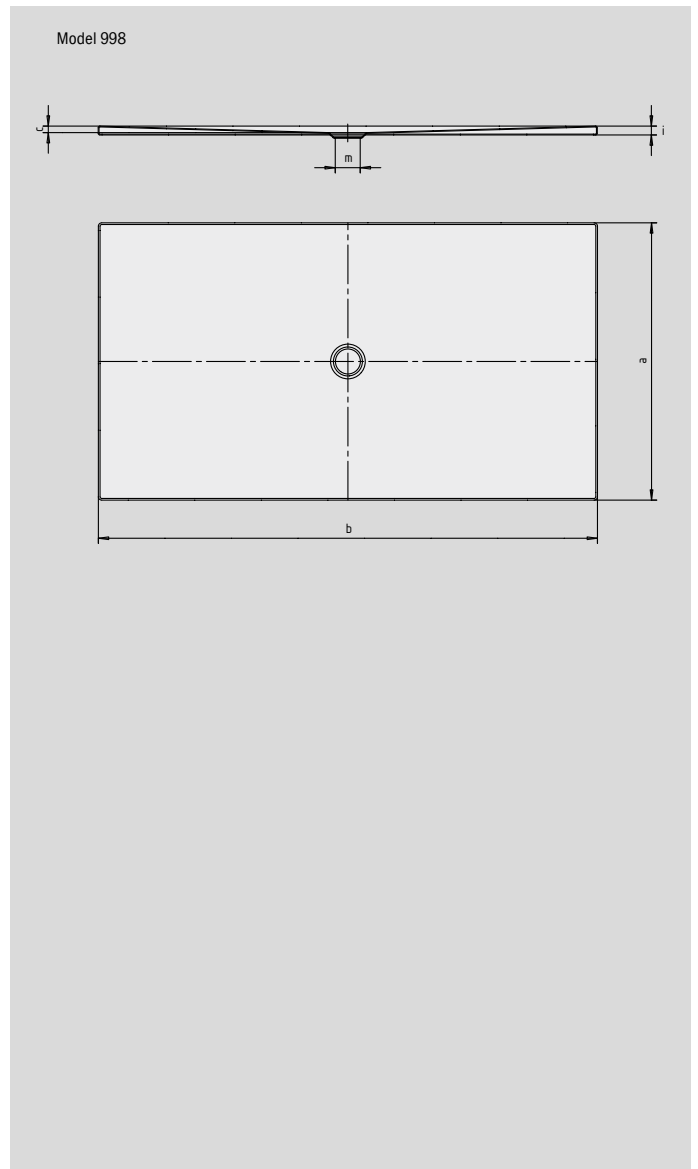
- harmonious design with centrally-placed waste
- can be installed absolutely flush to floor
- also available in the shades of the Coordinated Colours Collection
- made of KALDEWEI steel enamel
- flush-fitting recessed waste cover
(only in combination with the KA 90 waste fittings)



Similar illustration

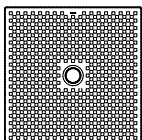
	Total height	Fitting height
KA 90	103	81
KA 90 extra flat	92	70
KA 90 ultra flat	83	61
KA 90 vertical	49	81

See page 275.



SECURE⁺

Model No.	989	991	993	994	995	996	997	998	
External length	a	1000	700	750	900	1000	800	900	1000 mm
External width	b	1600	1700	1700	1700	1700	1800	1800	1800 mm
Depth	c	23	23	23	23	23	23	23	23 mm
Height of rim	i	32	32	32	32	32	32	32	32 mm
Diameter of drain hole	m	90	90	90	90	90	90	90	90 mm
Weight of the enamelled shower tray in kg		40	31	33	34	43	37	41	44
Anti-slip		492 x 492	492 x 492	492 x 492	492 x 492	492 x 492	492 x 492	492 x 492	492 x 492 mm
Full anti-slip		932 x 1556	644 x 1604	692 x 1652	836 x 1652	932 x 1652	740 x 1748	836 x 1748	932 x 1748 mm



The TÜV Rheinland confirms the following properties of KALDEWEI's anti-slip and full anti-slip finish:

- Assessment group **B** for wet barefoot areas (**DIN 51097**)
- Assessment group **R 10** for slip-resistant properties in work rooms and areas with an increased risk of slipping (**DIN 51130**)

All SCONA models are available with **KALDEWEI SECURE PLUS** and **full anti-slip** finish.

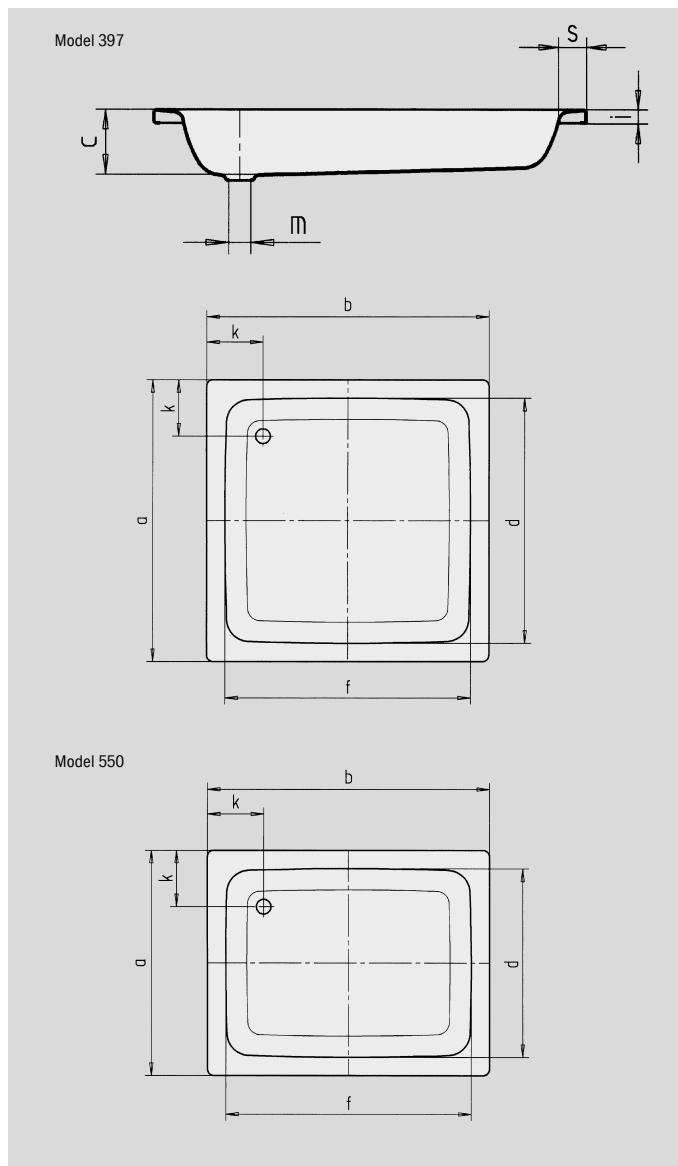
	Waste hole	Model Order No.	Dimensions cm	Colour price groups				EUR	
				I (alpine white)	II	III	IV		
SCONA flush fit of waste cover and shower surface requires use the KA 90 waste fittings optional shower tray foot frame FR or ESR II	Ø 9 cm	989 4989 0001 0001	100 x 160						
		991 4991 0001 0001	70 x 170						
		993 4993 0001 0001	75 x 170						
		994 4994 0001 0001	90 x 170						
		995 4995 0001 0001	100 x 170						
		996 4996 0001 0001	80 x 180						
		997 4997 0001 0001	90 x 180						
		998 4998 0001 0001	100 x 180						
		KALDEWEI PROFESSIONAL WASTE SYSTEMS							
		Waste fitting KA 90 Waste cover chrome		4047 6877 4047 0999					
or									
Waste fitting KA 90 extra flat Waste cover chrome		4051 6877 4051 0999							
or									
Waste fitting KA 90 ultra flat Waste cover chrome		4451 6877 4451 0999							
or									
Waste fitting KA 90 vertical Waste cover chrome		4055 6877 4055 0999							
and									
Hair catcher KA 90		6877 4042 0000							
KALDEWEI PROFESSIONAL INSTALLATION + WASTE SYSTEMS									
		Order No.	Dimensions Shower trays cm	Dimensions ESR II cm			EUR		
ESR II installation system Requires waste fittings with anti-seepage connection		5845 7434 0000	100 x 160	102,8 x 162,8					
		5845 7435 0000	70 x 170	72,8 x 172,8					
		5845 7436 0000	75 x 170	77,8 x 172,8					
		5845 7437 0000	90 x 170	92,8 x 172,8					
		5845 7438 0000	100 x 170	102,8 x 172,8					
		5845 7439 0000	80 x 180	82,8 x 182,8					
		5845 7440 0000	90 x 180	92,8 x 182,8					
		5845 7441 0000	100 x 180	102,8 x 182,8					
and									
Waste fitting KA 90 for ESR II with anti-seepage connection		4048 6877 4048 0999							
or									
Waste fitting KA 90 extra flat for ESR II with anti-seepage connection		4052 6877 4052 0999							
or									
Waste fitting KA 90 ultra flat for ESR II with anti-seepage connection		4452 6877 4452 0999							
or									
Waste fitting KA 90 vertical for ESR II with anti-seepage connection		4056 6877 4056 0999							
and									
Hair catcher KA 90		6877 4042 0000							
or									
Shower tray foot frame FR		5300 5300 0014 0000	Size adjustment up to max. 150 x 180 cm						
KALDEWEI PERFECTION SURFACES									
Extra charge for easy-clean finish		xxxxxxx3xxx							
Anti-slip Anti-slip enamel									
or									
Full anti-slip Full anti-slip enamel									
or									
KALDEWEI SECURE PLUS (cannot be combined with easy-clean finish)		xxxxxxx2xxx							

SANIDUSCH

- a classic among shower trays
- modern, clear design
- available in rectangular or square design
- made of KALDEWEI steel enamel



Similar illustration



Model No.		540	548	395	541	539	549	551	396	550	397	552
External length	a	700	750	800	700	700	750	800	900	800	1000	800 mm
External width	b	750	800	800	850	900	900	900	900	1000	1000	1200 mm
Depth	c	140	140	140	140	140	140	140	140	140	140	140 mm
Internal length	d	620	620	670	620	570	620	670	770	670	870	670 mm
Internal width	f	670	670	670	770	770	770	770	770	870	870	1070 mm
Height of rim	i	32	32	32	32	32	32	32	32	32	32	32 mm
Distance tray edge to centre of drain hole	k	175	200	200	175	200	200	200	200	200	200	200 mm
Diameter of drain hole	m	52	52	52	52	52	52	52	52	52	52	52 mm
Width of rim	s	40	65	65	40	65	65	65	65	65	65	65 mm
Weight of the enamelled shower tray in kg		19	21	22	21	22	23	24	27	27	31	30
Anti-slip		Ø 289	Ø 435	Ø 435	Ø 435	Ø 435	Ø 435	Ø 435	Ø 435	Ø 435	Ø 588	Ø 435 mm

Subject to technical alterations, tolerances and errors. Similar illustration.

KALDEWEI

	Waste hole	Model Order No.	Dimensions cm	Colour price groups				EUR	
				I (alpine white)	II	III	IV		
SANIDUSCH optional shower tray feet Mod. 5200	∅ 5,2 cm	540 44800001xxxx	70 x 75 x 14						
		548 33150001xxxx	75 x 80 x 14						
		395 33100001xxxx	80 x 80 x 14						
		541 44810001xxxx	70 x 85 x 14						
		539 44790001xxxx	70 x 90 x 14						
		549 33160001xxxx	75 x 90 x 14						
		551 44080001xxxx	80 x 90 x 14						
		396 33110001xxxx	90 x 90 x 14						
		550 44060001xxxx	80 x 100 x 14						
		397 44070001xxxx	100 x 100 x 14						
		552 44830001xxxx	80 x 120 x 14						
		ACCESSORIES REQUIRED – WASTE FITTINGS							
		Waste fitting diameter 5,2 cm Discontinued in 2016. Delivery subject to availability.		4089 689710640999					
		and							
		Shower tray feet UNIVERSAL 5 bearing supports see page 284		5200 584377000000	Size adjustment up to max. 90 x 90 cm				
OPTIONAL SURFACE FINISHES									
Extra charge for easy-clean finish		xxxxxxx3xxx							
Anti-slip Anti-slip enamel									
Please take into account when ordering anti-slip and full anti-slip finish the configuration of the KALDEWEI item number (see page 354). More information can be found on page 294-297.									

Further dimensions can be found on the following page.

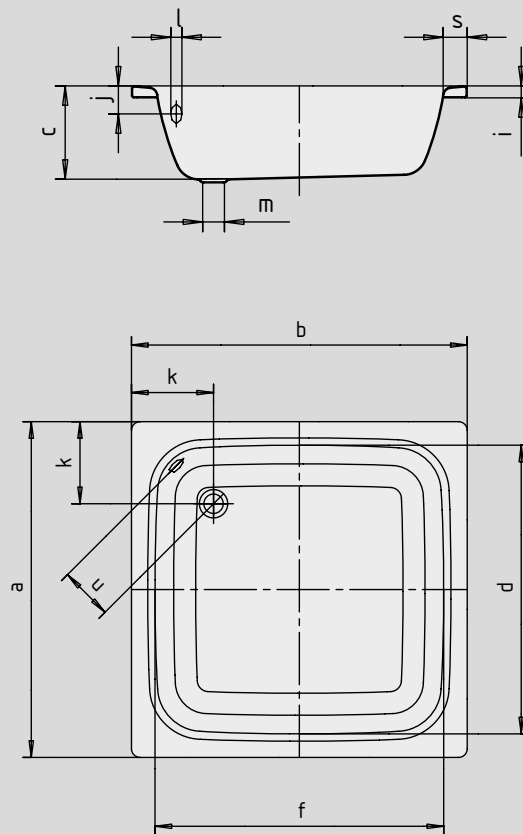
SANIDUSCH

- a classic among shower trays
- modern, clear design
- available in rectangular or square design
- made of KALDEWEI steel enamel



Similar illustration

Model 496



Model No.		558	495	559	496
External length	a	750	800	750	900 mm
External width	b	800	800	900	900 mm
Depth	c	250	250	250	250 mm
Internal length	d	620	670	620	770 mm
Internal width	f	670	670	770	770 mm
Height of rim	i	32	32	32	32 mm
Distance top edge to centre of overflow hole	j	75	75	75	75 mm
Distance tray edge to centre of drain hole	k	220	220	220	220 mm
Diameter of overflow hole	l	52	52	52	52 mm
Diameter of drain hole	m	52	52	52	52 mm
Width of rim	s	65	65	65	65 mm
Distance between centre holes	u	125	125	125	125 mm
Weight of the enamelled shower tray in kg		25	27	30	32
Anti-slip		Ø 289	Ø 289	Ø 289	Ø 435 mm

	Waste hole	Model Order No.	Dimensions cm	Colour price groups				EUR
				I (alpine white)	II	III	IV	
SANIDUSCH with overflow hole optional shower tray feet Mod. 5200	∅ 5,2 cm	558 3325 0001 xxxx	75 x 80 x 25					
		495 3320 0001 xxxx	80 x 80 x 25					
		559 3326 0001 xxxx	75 x 90 x 25					
		496 3321 0001 xxxx	90 x 90 x 25					
ACCESSORIES REQUIRED – INSTALLATION SYSTEMS								
Shower tray feet UNIVERSAL 5 bearing supports see page 284		5200 5843 7700 0000	Size adjustment up to max. 90 x 90 cm					
OPTIONAL SURFACE FINISHES								
Extra charge for easy-clean finish		xxxxxxx3xxx						
Anti-slip Anti-slip enamel								
Please take into account when ordering anti-slip and full anti-slip finish the configuration of the KALDEWEI item number (see page 354). More information can be found on page 294-297.								

ZIRKON

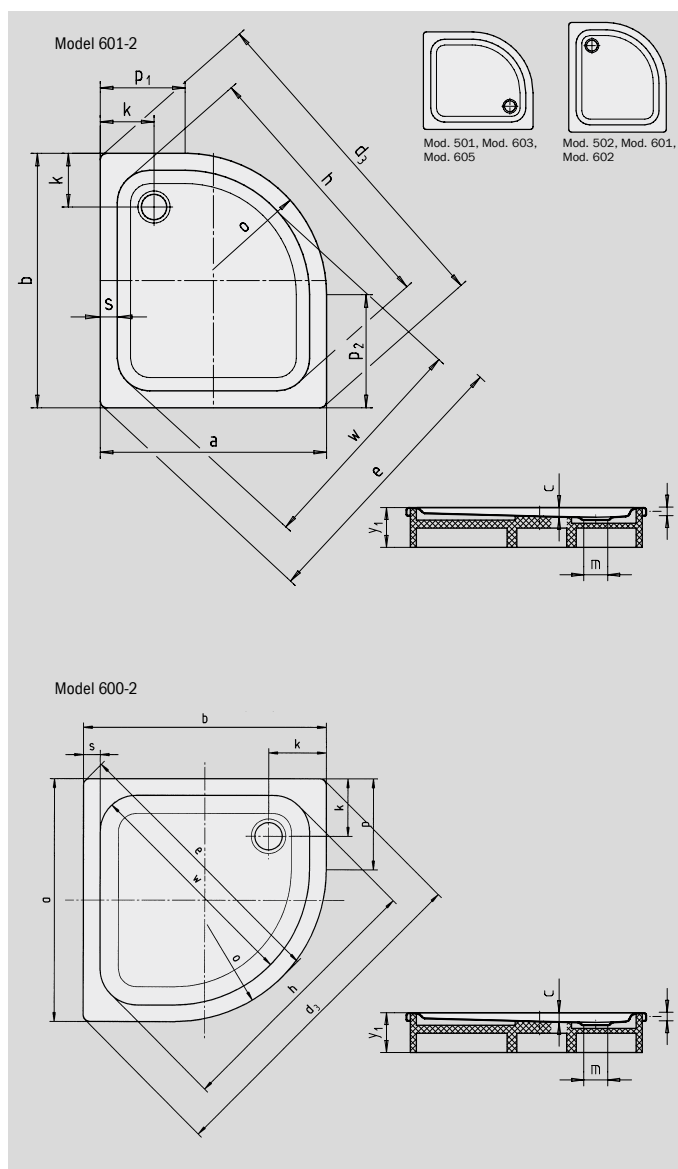
- clear design, large standing area
- side waste
- elegant, functional quadrant form allows it to be intelligently installed even in the smallest of spaces
- made of KALDEWEI steel enamel
- flush-fitting recessed waste cover (only in combination with the KA 90 waste fittings)



Similar illustration

	Total height	Fitting height
KA 90	115	81
KA 90 extra flat	104	70
KA 90 ultra flat	95	61
KA 90 vertical	49	81

See page 275.



Model No.		501	600	603	605	502	601	604	602	606
External length	a	900	800	900	1000	750	800	900	800	1000 mm
External width	b	750	800	800	800	900	900	900	1000	1000 mm
Depth	c	35	35	35	35	35	35	35	35	35 mm
Corner dimension - external length	d ₃	1155	1115	1185	1262	1155	1185	1256	1262	1397 mm
Corner dimension - external width	e	964	916	990	1075	964	990	1057	1075	1198 mm
Corner dimension - internal length	h	910	866	940	1020	910	940	1007	1020	1150 mm
Height of rim	i	32	32	32	32	32	32	32	32	32 mm
Distance tray edge to centre of drain hole	k	190	190	190	190	190	190	190	190	190 mm
Diameter of drain hole	m	90	90	90	90	90	90	90	90	90 mm
External radius	o	500	500	500	500	500	500	500	500	500 mm
Side length	p	-	300	-	-	-	-	400	-	500 mm
Side length	p ₁	400	-	400	500	250	300	-	300	- mm
Side length	p ₂	250	-	300	300	400	400	-	500	- mm
Width of rim	s	60	60	60	60	60	60	60	60	60 mm
Corner dimension - internal width	w	792	730	812	903	792	812	870	903	1015 mm
Height with support	y ₁	130	130	130	130	130	130	130	130	130 mm
Weight of the enamelled shower tray in kg		17	17	19	21	17	19	22	21	25
Anti-slip		Ø 435	Ø 435	Ø 435	Ø 435	Ø 435	Ø 435	Ø 435	Ø 435	Ø 588 mm

Subject to technical alterations, tolerances and errors. Similar illustration.

KALDEWEI

	Waste hole	Model Order No.	Dimensions cm	Colour price groups				EUR
				I (alpine white)	II	III	IV	
ZIRKON plus shower tray foot frame FR Mod. 5300	∅ 9 cm	501-1 4555 0001 xxxx 600-1 4565 0001 xxxx 603-1 4568 0001 xxxx 605-1 4570 0001 xxxx 502-1 4556 0001 xxxx 601-1 4566 0001 xxxx 604-1 4569 0001 xxxx 602-1 4567 0001 xxxx 606-1 4571 0001 xxxx	90 x 75 x 3,5 80 x 80 x 3,5 90 x 80 x 3,5 100 x 80 x 3,5 75 x 90 x 3,5 80 x 90 x 3,5 90 x 90 x 3,5 80 x 100 x 3,5 100 x 100 x 3,5					
ZIRKON with polystyrene support Total height incl. support: 13 cm	∅ 9 cm	501-2 4555 4804 xxxx 600-2 4565 4804 xxxx 603-2 4568 4804 xxxx 605-2 4570 4804 xxxx 502-2 4556 4804 xxxx 601-2 4566 4804 xxxx 604-2 4569 4804 xxxx 602-2 4567 4804 xxxx 606-2 4571 4804 xxxx	90 x 75 x 3,5 80 x 80 x 3,5 90 x 80 x 3,5 100 x 80 x 3,5 75 x 90 x 3,5 80 x 90 x 3,5 90 x 90 x 3,5 80 x 100 x 3,5 100 x 100 x 3,5					
ACCESSORIES REQUIRED – WASTE FITTINGS (Not in combination with ESR II)								
Shower tray foot frame FR for ZIRKON see page 280		5300 5300 0016 0000	Size adjustment up to max. 100 x 100 cm					
and								
Waste fitting KA 90 Waste cover chrome		4047 6877 4047 0999						
or								
Waste fitting KA 90 extra flat Waste cover chrome		4051 6877 4051 0999						
or								
Waste fitting KA 90 ultra flat Waste cover chrome		4451 6877 4451 0999						
or								
Waste fitting KA 90 vertical Waste cover chrome		4055 6877 4055 0999						
and								
Hair catcher KA 90		6877 4042 0000						
or								
Waste fitting diameter 9 cm vertical Discontinued in 2016. Delivery subject to availability.		4087 6897 1066 0999						
or								
Waste fitting diameter 9 cm Discontinued in 2016. Delivery subject to availability.		4088 6897 1065 0999						
All presented waste fittings include a p-trap inside the waste fittings. Please find the complete product range of waste fittings on page 288.								
MAS 5305 Central Support System for shower tray foot frame FR 5300 or ESR II		6880 7653 0000	for side lengths longer than 90 cm					
OPTIONAL SURFACE FINISHES								
Extra charge for easy-clean finish		xxxxxxx 3 xxx						
Anti-slip Anti-slip enamel								
Please take into account when ordering anti-slip and full anti-slip finish the configuration of the KALDEWEI item number (see page 354). More information can be found on page 294 - 297.								

Further dimensions can be found on the following page.

ZIRKON

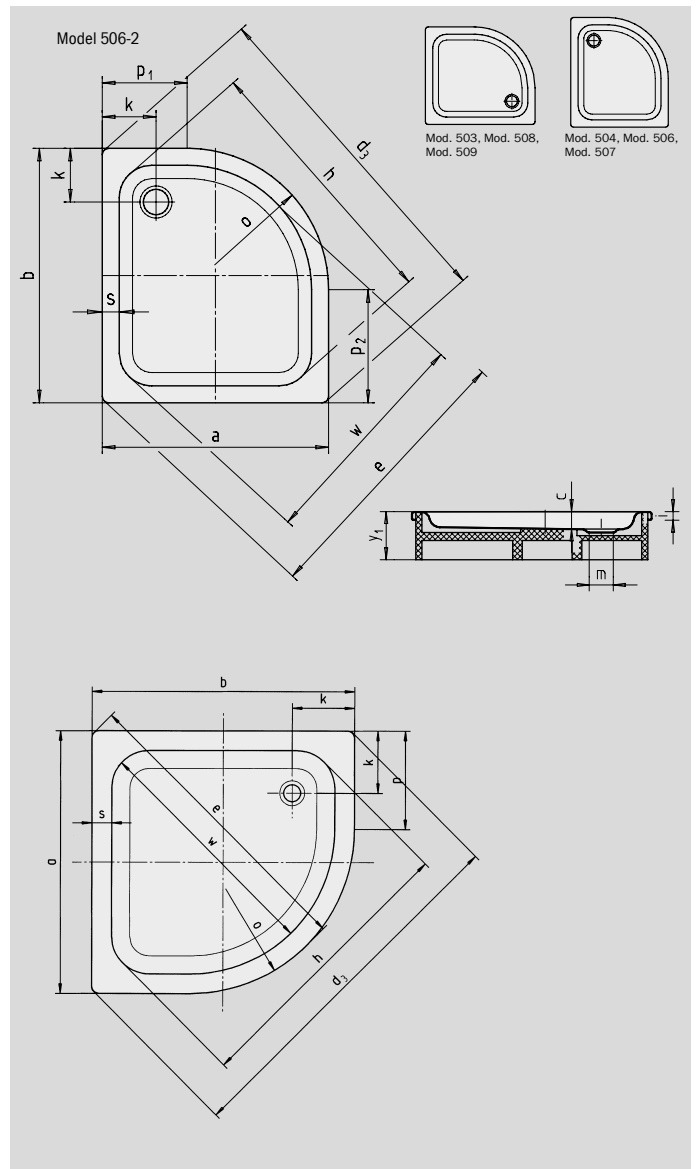
- clear design, large standing area
- side waste
- elegant, functional quadrant form allows it to be intelligently installed even in the smallest of spaces
- made of KALDEWEI steel enamel
- flush-fitting recessed waste cover (only in combination with the KA 90 waste fittings)



Similar illustration

	Total height	Fitting height
KA 90	145	81
KA 90 extra flat	134	70
KA 90 ultra flat	125	61
KA 90 vertical	49	81

See page 275.



Model No.		511	513	510
External length	a	800	900	1000 mm
External width	b	800	900	1000 mm
Depth	c	65	65	65 mm
Corner dimension - external length	d ₃	1115	1256	1397 mm
Corner dimension - external width	e	916	1057	1198 mm
Corner dimension - internal length	h	876	1018	1149 mm
Height of rim	i	32	32	32 mm
Distance tray edge to centre of drain hole	k	190	190	190 mm
Diameter of drain hole	m	90	90	90 mm
External radius	e	500	500	500 mm
Side length	p	300	400	500 mm
Side length	p ₁	-	-	- mm
Side length	p ₂	-	-	- mm
Width of rim	s	55	55	55 mm
Corner dimension - internal width	w	742	883	1015 mm
Height with support	y ₁	160	160	160 mm
Weight of the enamelled shower tray in kg		17	22	26
Anti-slip		Ø 435	Ø 435	Ø 588 mm







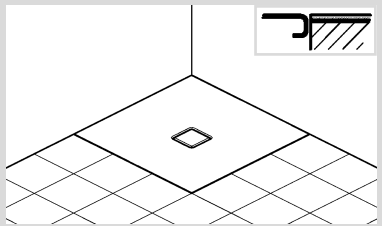
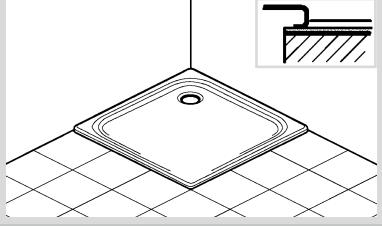
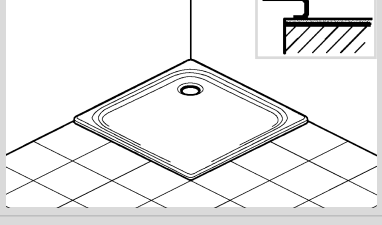
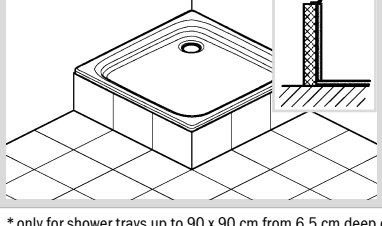
Subject to technical alterations, tolerances and errors. Similar illustration.

KALDEWEI

	Waste hole	Model Order No.	Dimensions cm	Colour price groups				EUR
				I (alpine white)	II	III	IV	
ZIRKON plus shower tray foot frame FR Mod. 5300	∅ 9 cm	511-1 4520 0001 xxxx	80 x 80 x 6,5					
	∅ 9 cm	513-1 4522 0001 xxxx	90 x 90 x 6,5					
	∅ 9 cm	510-1 4564 0001 xxxx	100 x 100 x 6,5					
ZIRKON with polystyrene support Total height incl. support: 16 cm	∅ 9 cm	511-2 4520 4804 xxxx	80 x 80 x 6,5					
	∅ 9 cm	513-2 4522 4804 xxxx	90 x 90 x 6,5					
	∅ 9 cm	510-2 4564 4804 xxxx	100 x 100 x 6,5					
ACCESSORIES REQUIRED - WASTE FITTINGS (Not in combination with ESR II)								
Shower tray foot frame FR for ZIRKON see page 280		5300 5300 0016 0000	Size adjustment up to max. 100 x 100 cm					
and								
Waste fitting KA 90 Waste cover chrome		4047 6877 4047 0999						
or								
Waste fitting KA 90 extra flat Waste cover chrome		4051 6877 4051 0999						
or								
Waste fitting KA 90 ultra flat Waste cover chrome		4451 6877 4451 0999						
or								
Waste fitting KA 90 vertical Waste cover chrome		4055 6877 4055 0999						
and								
Hair catcher KA 90		6877 4042 0000						
or								
Waste fitting diameter 9 cm vertical Discontinued in 2016. Delivery subject to availability.		4087 6897 1066 0999						
or								
Waste fitting diameter 9 cm Discontinued in 2016. Delivery subject to availability.		4088 6897 1065 0999						
All presented waste fittings include a p-trap inside the waste fittings. Please find the complete product range of waste fittings on page 288.								
MAS 5305 Central Support System for shower tray foot frame FR 5300 or ESR II		6880 7653 0000	for side lengths longer than 90 cm					
OPTIONAL SURFACE FINISHES								
Extra charge for easy-clean finish		xxxxxxx3xxx						
Anti-slip Anti-slip enamel								
Please take into account when ordering anti-slip and full anti-slip finish the configuration of the KALDEWEI item number (see page 354). More information can be found on page 294 - 297.								

INSTALLATION

INSTALLATION SYSTEMS FOR SHOWER TRAYS AND ENAMELLED SHOWER SURFACES

	ESR II INSTALLATION SYSTEM	SHOWER TRAY FOOT FRAME FR FR 5300/5300 PLUS	XETIS	POLYSTYRENE** SUPPORT LOW PROFILE SUPPORT	UNIVERSAL SHOWER TRAY FEET 5200*
<p>Our suggestion for optimal installation</p> 	 + MAS 5305 or MAS 5315 (depending on shower tray)	 + MAS 5305 or MAS 5315 (depending on shower tray)	 + MAS 5305		
<p>Level access installation</p> 	✓	✓ + WDS	✓ + XDS		
<p>Virtually floor-level installation</p> 		✓ + WDB 95		✓ low profile support + WDB 95 polystyrene support + WDB 95	
<p>Low-profile installation</p> 		✓ + WDB 95		✓ low profile support + WDB 95 polystyrene support + WDB 95	
<p>Raised installation</p> 		✓ + WDB 95		✓ polystyrene support + WDB 95	✓ + WDB 95

* only for shower trays up to 90 x 90 cm from 6.5 cm deep or deeper ** Styropor® is a registered trademark of BASF SE.

INSTALLATION

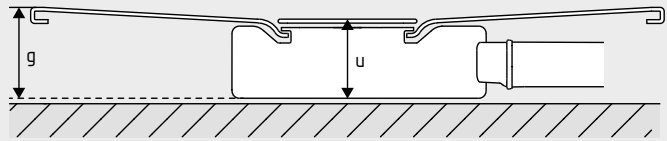
TOTAL HEIGHTS AND FITTING HEIGHTS FOR FLOOR-LEVEL INSTALLATION

Total heights and fitting heights for shower surfaces with horizontal waste fitting

The total height (=g) is measured from the upper edge of the shower surface to the lower edge of the bottle trap (for floor-level installation: upper edge of shower surface = finished floor level). It includes the integrated slope and the material thickness. If a lower height is required, waste fittings with horizontal waste may need to be installed in a floor recess.

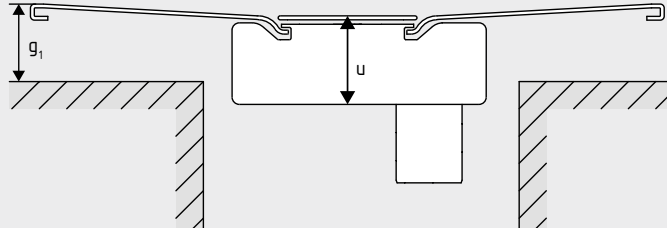
Fitting heights incl. waste cover

The fitting height incl. waste cover (=u) is measured from the upper edge of the waste cover to the lower edge of the bottle trap. It is comparable to the fitting heights largely indicated for systems used in tiled shower areas.



Total heights for shower surfaces with vertical waste fitting

The total height (=g₁) is measured from the upper edge of the shower surface to the unfinished floor level (for floor-level installation: upper edge of shower surface = finished floor level). The figures are based on the minimum settings of ESR II and FR 5300. The vertical waste fitting is recessed in the floor.



CONOFLAT, SUPERPLAN PLUS with KA 120 or KA 125 with and without anti-seepage connection

Siphon variant	CONOFLAT		SUPERPLAN PLUS							
	g	u	g	u						
KA 120/ KA 125	107	83	109	83						
	g ₁	u	g ₁	u						
KA 120 vertical/ KA 125 vertical	49	83	49	83						

XETIS mit KA 200

Siphon variant	XETIS							
	g	u						
KA 200	112	87						

CORNEZZA, FONTANA, ARRONDO, DUSCHPLAN, ZIRKON, SUPERPLAN, SCONA and SUPERPLAN XXL with special waste fittings (for ESR II)

Siphon variant	CORNEZZA 25 mm		CORNEZZA 65 mm		FONTANA 25 mm		FONTANA 65 mm		ARRONDO 25 mm		ARRONDO 65 mm		
	g	u	g	u	g	u	g	u	g	u	g	u	
KA 90	105	81	145	81	105	81	145	81	105	81	145	81	
KA 90 extra flat	94	70	134	70	94	70	134	70	94	70	134	70	
KA 90 ultra flat	85	61	125	61	85	61	125	61	85	61	125	61	
	g ₁	u	g ₁	u	g ₁	u	g ₁	u	g ₁	u	g ₁	u	
KA 90 vertical	49	81	49	81	49	81	49	81	49	81	49	81	

Siphon variant	DUSCHPLAN 65 mm		ZIRKON 35 mm		ZIRKON 65 mm		SUPERPLAN 25 mm		SCONA 23 mm			
	g	u	g	u	g	u	g	u	g	u		
KA 90	145	81	115	81	145	81	105	81	103	81		
KA 90 extra flat	134	70	104	70	134	70	94	70	92	70		
KA 90 ultra flat	125	61	95	61	125	61	85	61	83	61		
	g ₁	u	g ₁	u	g ₁	u	g ₁	u	g ₁	u		
KA 90 vertical	49	81	49	81	49	81	49	81	49	81		

SUPERPLAN XXL: Based on the following shower tray depths:

Siphon variant	25 mm		39 mm		40 mm		43 mm		47 mm		51 mm		52 mm	
	g	u	g	u	g	u	g	u	g	u	g	u	g	u
KA 90	105	81	119	81	120	81	123	81	127	81	131	81	132	81
KA 90 extra flat	94	70	108	70	109	70	112	70	116	70	120	70	121	70
KA 90 ultra flat	85	61	99	61	100	61	103	61	107	61	111	61	112	61
	g ₁	u	g ₁	u	g ₁	u	g ₁	u	g ₁	u	g ₁	u	g ₁	u
KA 90 vertical	49	81	49	81	49	81	49	81	49	81	49	81	49	81

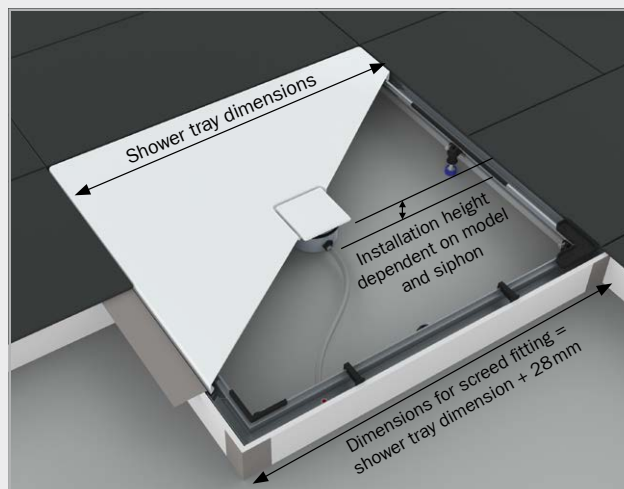
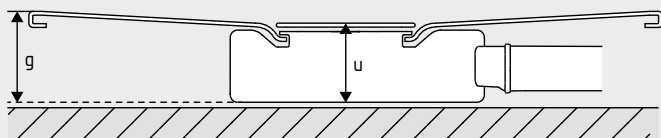
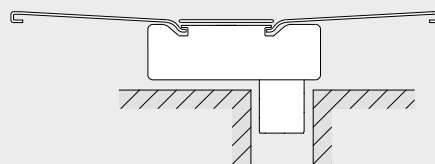
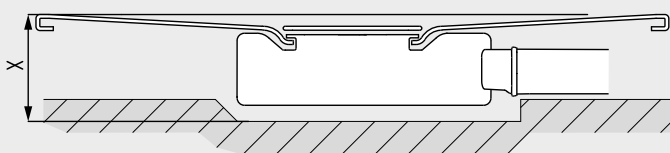
Please consider a safety distance between siphon and floor. All dimensions in mm.

INSTALLATION

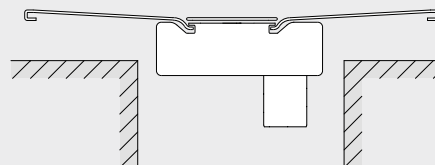
ESR II INSTALLATION SYSTEM - PLANNING

Planning the screed recess

- When planning the screed recess, always remember that the ESR II is 28 mm wider and longer than the shower tray.
- When laying a new screed floor, the recess may be created using the formwork units supplied.
- The heights will vary depending on the siphon variant and shower tray design. Use the following formula to determine the height. The table on page 228 may be used as guidance to determine the required floor recess.

**Planning total heights and fitting heights for lower installation heights**

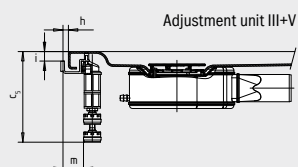
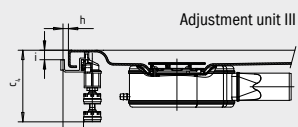
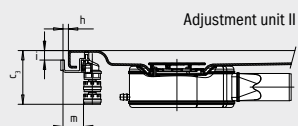
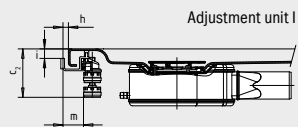
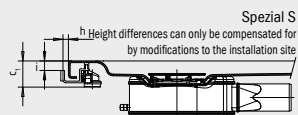
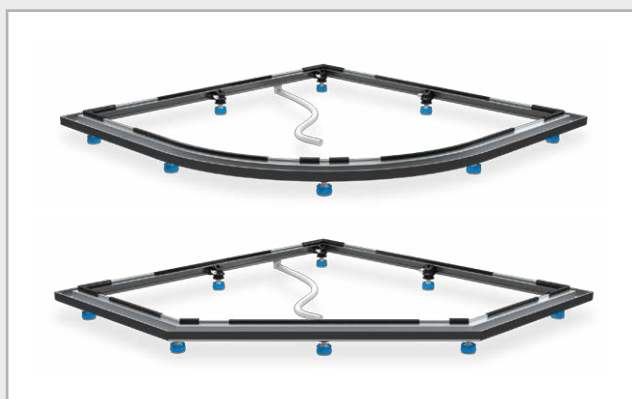
- Required total heights and fitting heights see table on page 275
- Lower installation heights require floor cut-outs or breakthroughs.
- When installing a flush shower tray, ensure that there is a gap between the siphon and the floor.
- The connection of the siphon to the local waste system and the hose for the anti-seepage connection may need to be pried open.
- KALDEWEI recommends the use of a standard backflow block in the horizontal waste pipe.



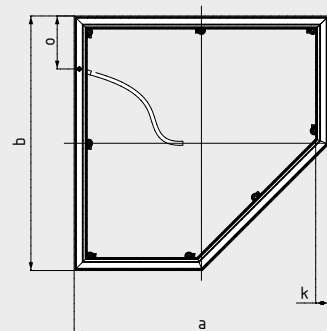
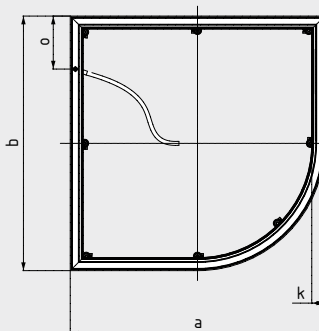
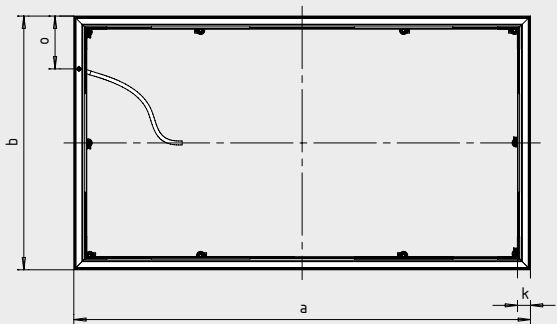
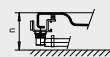
INSTALLATION

ESR II INSTALLATION SYSTEM

- allows quick and accurate installation of shower trays flush with the floor
- versatile thanks to horizontally and vertically adjustable feet
- optimum sound insulation due to integrated sound insulation band, rubber mounting profile, corner support rubbers and noise-decoupled feet
- special waste fitting required for ESR II
- installation of shower tray sound insulation sets is necessary to observe DIN 4109



All adjustable units are included in delivery.



Installed height (non-adjustable)	c_1	49 mm
Installed height	c_2	63-77 mm
Installed height	c_3	75-99 mm
Installed height	c_4	97-131 mm
Installed height	c_5	131-164 mm
Space for wall tile	h	10 mm
Top edge frame to top edge shower tray	i	20 mm
Frame width	k	48,5 mm
Recess to foot of frame	m	35 mm
Installation height pipe connection with shower tray	n	80 mm
Drain connection	o	210 mm

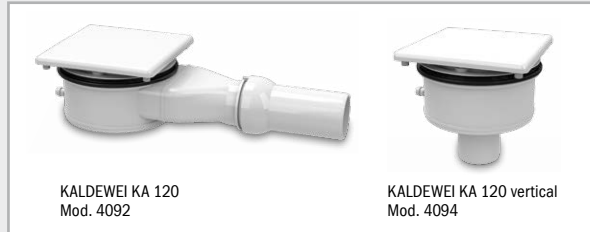
* without soundproofing tape

INSTALLATION

WASTE SYSTEMS FOR ESR II

- Special waste fittings only to be used in combination with ESR II
- Waste fittings available in horizontal and vertical version

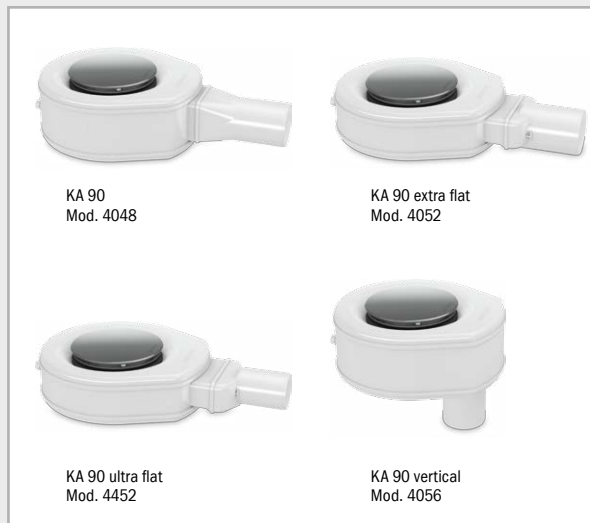
For CONOFLAT:



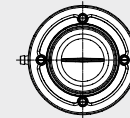
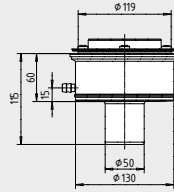
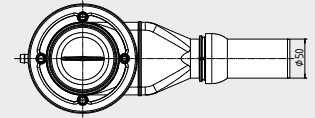
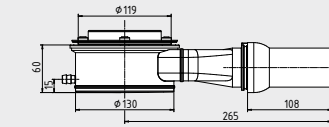
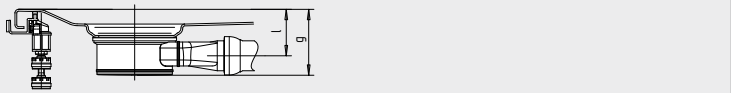
For SUPERPLAN PLUS:



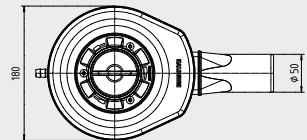
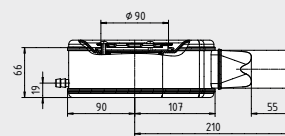
For ARRONDO, CORNEZZA, FONTANA, SCONA, SUPERPLAN and SUPERPLAN XXL:



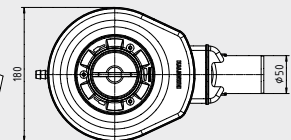
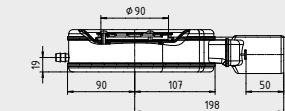
Similar illustration



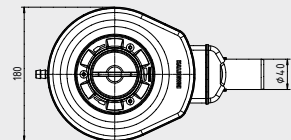
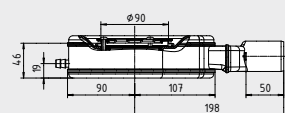
KA 90, Mod. 4048



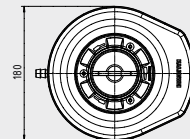
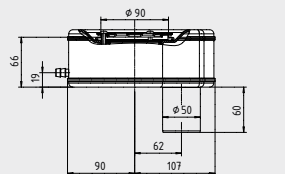
KA 90, Mod. 4052



KA 90, Mod. 4452



KA 90, Mod. 4056



Height shower tray with siphon	KA 90 Mod. 4048	g	tray depth** + 80 mm
	KA 90 extra flat Mod. 4052	g	tray depth** + 69 mm
	KA 90 ultra flat Mod. 4452	g	tray depth** + 60 mm
	KA 90 vertical Mod. 4056	g	tray depth** + 80 mm
	KA 120 Mod. 4092 / KA 120 vertical Mod. 4094		107 mm
Siphon connection height	KA 125 Mod. 4097 / KA 125 vertical Mod. 4099		tray depth** + 84 mm
	KA 90 Mod. 4048	l	tray depth** + 42,5 mm
	KA 90 extra flat Mod. 4052	l	tray depth** + 37,0 mm
	KA 90 ultra flat Mod. 4452	l	tray depth** + 31,0 mm
	KA 90 vertical Mod. 4056	l	
	KA 120 Mod. 4092 / KA 120 vertical Mod. 4094		76 mm
	KA 125 Mod. 4097 / KA 125 vertical Mod. 4099		tray depth** + 53 mm

**tray depth corresponds to dimension "c" of the desired shower tray
If the installed height is low (less than dimension "J" + 5mm) a floor recess must be made. We recommend a non-return valve be fitted in the waste pipe.

INSTALLATION

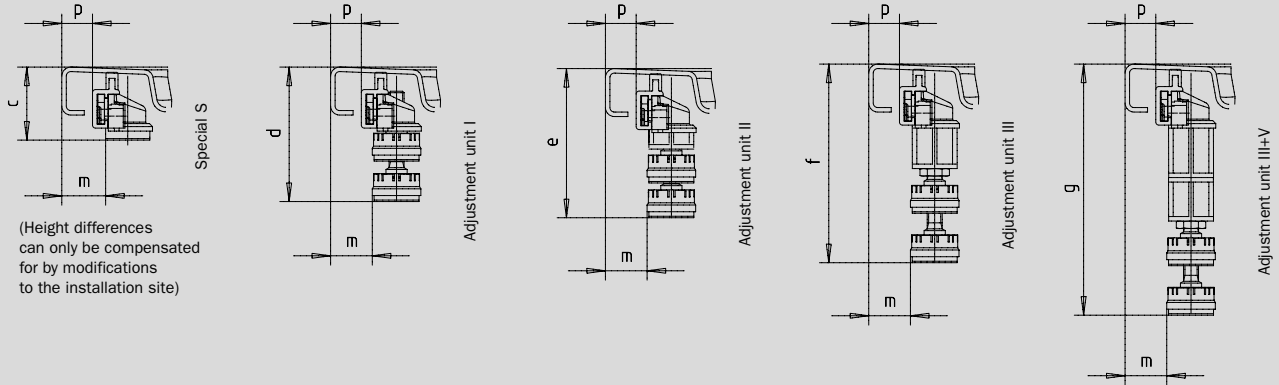
ESR II INSTALLATION SYSTEM

ESR II installation system	Order No.	Dimensions of the shower tray cm	Dimensions ESR II cm	EUR
Special waste fitting mandatory for ESR II Warning: The special waste fitting must be ordered separately	584574000000	75 x 80	77,8 x 82,8	
	584574010000	80 x 80	82,8 x 82,8	
	584574020000	70 x 90	72,8 x 92,8	
	584574030000	75 x 90	77,8 x 92,8	
	584574040000	80 x 90	82,8 x 92,8	
	584574050000	90 x 90	92,8 x 92,8	
	584574060000	75 x 100	77,8 x 102,8	
	584574070000	80 x 100	82,8 x 102,8	
	584574080000	90 x 100	92,8 x 102,8	
	584574090000	100 x 100	102,8 x 102,8	
	584574100000	80 x 110	82,8 x 112,8	
	584574110000	90 x 110	92,8 x 112,8	
	5845741490000	100 x 110	102,8 x 112,8	
	584574120000	70 x 120	72,8 x 122,8	
	584574130000	75 x 120	77,8 x 122,8	
	584574140000	80 x 120	82,8 x 122,8	
	584574150000	90 x 120	92,8 x 122,8	
	584574160000	100 x 120	102,8 x 122,8	
	584574170000	120 x 120	122,8 x 122,8	
	584574180000	80 x 130	82,8 x 132,8	
	584574190000	90 x 130	92,8 x 132,8	
	584574200000	100 x 130	102,8 x 132,8	
	584574210000	70 x 140	72,8 x 142,8	
	584574220000	75 x 140	77,8 x 142,8	
	584574230000	80 x 140	82,8 x 142,8	
	584574240000	90 x 140	92,8 x 142,8	
	584574250000	100 x 140	102,8 x 142,8	
	584574260000	70 x 150	72,8 x 152,8	
	584574270000	75 x 150	77,8 x 152,8	
	584574510000	80 x 150	82,8 x 152,8	
	584574280000	90 x 150	92,8 x 152,8	
	584574290000	100 x 150	102,8 x 152,8	
	584574300000	150 x 150	152,8 x 152,8	
	584574310000	70 x 160	72,8 x 162,8	
	584574320000	75 x 160	77,8 x 162,8	
	584574500000	80 x 160	82,8 x 162,8	
	584574330000	90 x 160	92,8 x 162,8	
	584574340000	100 x 160	102,8 x 162,8	
	584574350000	70 x 170	72,8 x 172,8	
	584574360000	75 x 170	77,8 x 172,8	
	584574370000	90 x 170	92,8 x 172,8	
	584574380000	100 x 170	102,8 x 172,8	
	584574390000	80 x 180	82,8 x 182,8	
	584574400000	90 x 180	92,8 x 182,8	
	584574410000	100 x 180	102,8 x 182,8	
ARRONDO Depth 2,5 cm	584574440000 584574450000	90 x 90 100 x 100	92,8 x 92,8 102,8 x 102,8	
FONTANA Depth 2,5 cm	584574460000 584574470000 584574480000	80 x 80 90 x 90 100 x 100	82,8 x 82,8 92,8 x 92,8 102,8 x 102,8	
CORNEZZA Depth 2,5 cm	584574420000 584574430000	90 x 90 100 x 100	92,8 x 92,8 102,8 x 102,8	
Special waste fittings for ESR II with drain off connection	Model Order No.		Colour price groups I (alpine white) II III IV	EUR
KA 90 with drain off connection Waste cover chrome, drainage capacity: 0,9 l/s The shower waste does conform to EN 274 (water seal height 50 mm)	4048 687740480999			
KA 90 extra flat with drain off connection Waste cover chrome, drainage capacity: 0,8 l/s. The shower waste does not conform to EN 274 (water seal height 30 mm)	4052 687740520999			
KA 90 ultra flat with drain off connection Waste cover chrome, drainage capacity: 0,8 l/s The shower waste does not conform to EN 274 (water seal height 30 mm)	4452 687744520999			
KA 90 vertical with drain off connection Waste cover chrome, drainage capacity: 1,4 l/s The shower waste does conform to EN 274 (water seal height 50 mm)	4056 687740560999			
Special waste fitting KA 120, drainage capacity: 0,85 l/s The shower waste does conform to EN 274 (water seal height 50 mm)	4092 68777071xxxx			
Special waste fitting KA 120 vertical, drainage capacity: 1,4 l/s The shower waste does conform to EN 274 (water seal height 50 mm)	4094 68777077xxxx			
Special waste fitting KA 125, drainage capacity: 0,85 l/s The shower waste does conform to EN 274 (water seal height 50 mm)	4097 68971061xxxx			
Special waste fitting KA 125 vertical, drainage capacity: 1,4 l/s The shower waste does conform to EN 274 (water seal height 50 mm)	4099 68971063xxxx			
Please take into account: A central support is recommended for dimensions greater than 90 x 90 cm. We recommend using the KALDEWEI central support system MAS.				

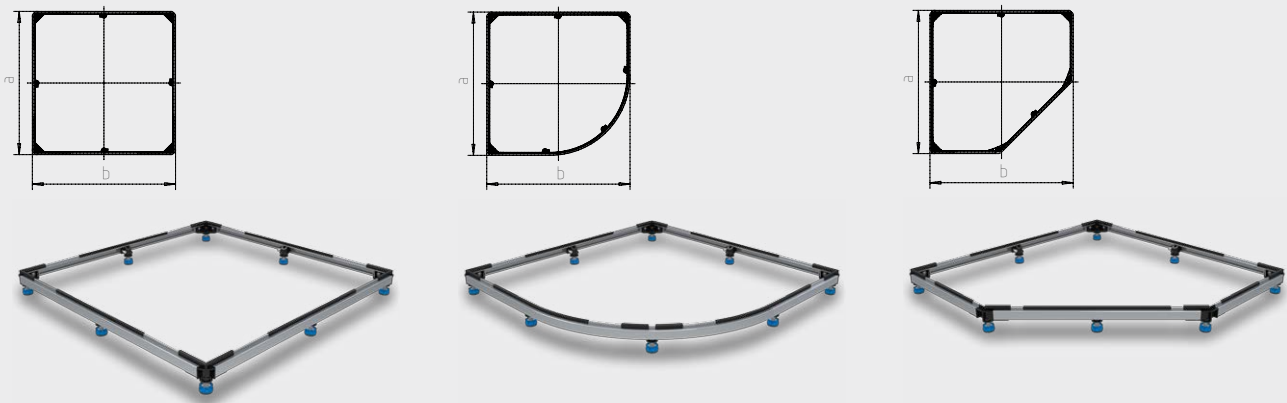
INSTALLATION

SHOWER TRAY FOOT FRAME FR 5300

- suitable for flat and ultra flat square shower trays
- size adjustment of maximum 90 x 90 cm or 120 x 120 cm and 150 x 180 cm for square and rectangular shower trays and 100 x 100 cm for quarter-circular and pentagonal shower trays (aluminium connecting profiles can be cut to smaller size)
- feet are sound-insulated; optimum sound insulation to DIN 4109/A1 in conjunction with KALDEWEI sound insulating set DWS



All adjustable units are included in delivery.



		rectangular shower trays			quad circle shower trays	pentagonal shower trays
		90/90	120/120	150/180*	100/100	100/100
External length	a	859	1159	1459	959	959 mm
External width	b	859	1159	1759	959	959 mm
Installed height (nicht verstellbar)	c	49	49	49	49	49 mm
Installed height	d	63-77	63-77	63-77	63-77	63-77 mm
Installed height	e	75-99	75-99	75-99	75-99	75-99 mm
Installed height	f	97-131	97-131	97-131	97-131	97-131 mm
Installed height	g	131-164	131-164	131-164	131-164	131-164 mm
Separation rim of tray to frame profile	p	20	20	20	20	20 mm
Separation rim of tray to foot cap	m	28	28	28	28	28 mm

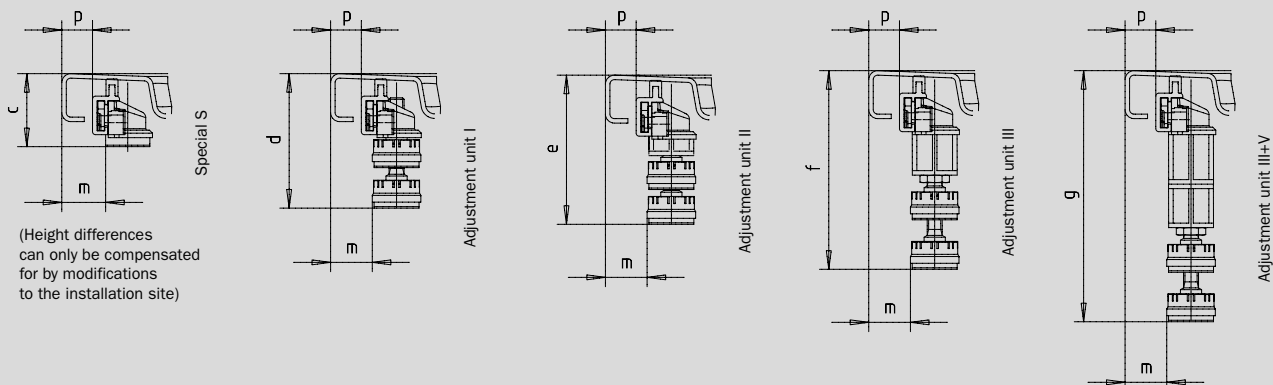
Shower tray foot frame FR	Model Order No.	Dimensions cm	EUR
for CONOFLAT, SUPERPLAN, SUPERPLAN PLUS, SUPERPLAN XXL, DUSCHPLAN, DUSCHPLAN XXL, SCONA	5300 530000120000	90 x 90	
	5300 530000130000	120 x 120	
	5300 530000140000	150 x 180	
for ARRONDO	5300 530000170000	100 x 100	
for ZIRKON	5300 530000160000	100 x 100	
for CORNEZZA	5300 530000150000	100 x 100	

Please take into account: A central support is recommended for dimensions greater than 90 x 90 cm. We recommend using the KALDEWEI central support system MAS.

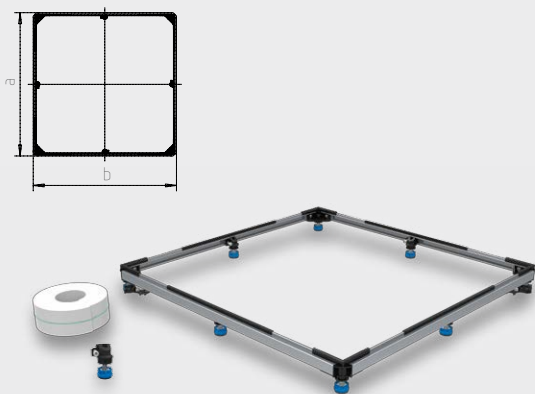
INSTALLATION

SHOWER TRAY FOOT FRAME FR 5300 PLUS

- suitable for flat and ultra flat square shower trays
- size adjustment of maximum 90 x 90 cm or 120 x 120 cm and 150 x 180 cm (aluminium connecting profiles can be cut to smaller size)
- feet are sound-insulated; optimum sound insulation to DIN 4109/A1 in conjunction with KALDEWEI sound insulating set DWS
- scope of supply can additionally include: sound insulating strip WAS 70, two ground fasteners, one additional foot unit



All adjustable units are included in delivery.



rectangular shower trays

		90/90	120/120	150/180*
External length	a	859	1159	1459 mm
External width	b	859	1159	1759 mm
Installed height (nicht verstellbar)	c	49	49	49 mm
Installed height	d	63-77	63-77	63-77 mm
Installed height	e	75-99	75-99	75-99 mm
Installed height	f	97-131	97-131	97-131 mm
Installed height	g	131-164	131-164	131-164 mm
Separation rim of tray to frame profile	p	20	20	20 mm
Separation rim of tray to foot cap	m	28	28	28 mm

Shower tray foot frame FR PLUS	Model Order No.	Dimensions cm	EUR
for CONOFLAT, SUPERPLAN, SUPERPLAN XXL, DUSCHPLAN, DUSCHPLAN XXL, SUPERPLAN PLUS, SCONA	5300 530000180000	90 x 90	
	5300 530000190000	120 x 120	
	5300 530000200000	150 x 180*	

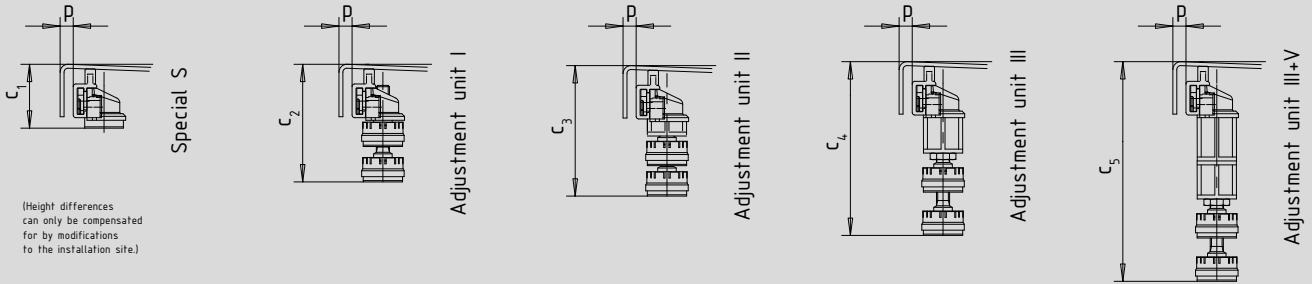
* Suitable for shower trays from 130 - 180 cm.

Please take into account: A central support is recommended for dimensions greater than 90 x 90 cm. We recommend using the KALDEWEI central support system MAS.

INSTALLATION

XETIS INSTALLATION SOLUTION FOOT FRAME FR 5350 XETIS

- suitable for floor level installation of the XETIS shower surface
- dimensions: 90 x 120 cm, 120 x 120 cm and 100 x 180 cm (aluminium connecting profiles can be cut to smaller size)
- feet are sound-insulated; optimum sound insulation to DIN 4109/A1 in conjunction with KALDEWEI sound insulating set DWS



All adjustable units are included in delivery.



Sizes and installed heights		90/120	120/120	100/180
External length		910	1210	1010 mm
External width		1180	1180	1780 mm
Installed height (non-adjustable)	c	49	49	49 mm
Installed height	d	63-77	63-77	63-77 mm
Installed height	e	75-99	75-99	75-99 mm
Installed height	f	97-131	97-131	97-131 mm
Installed height	g	131-164	131-164	131-164 mm
Separation rim of tray to frame profile	p	10	10	10 mm

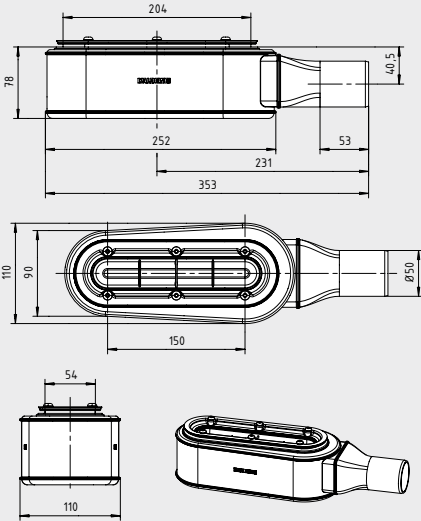
Foot frame FR 5350 XETIS	Model Order No.		EUR
for XETIS	5350 530000290000	Size adjustment up to max. 90 x 120 cm	
	5350 530000280000	Size adjustment up to max. 120 x 120 cm	
	5350 530000270000	Size adjustment up to max. 100 x 180 cm	

Please take into account: A central support is recommended for dimensions greater than 90 x 90 cm. We recommend using the KALDEWEI central support system MAS.

INSTALLATION

XETIS INSTALLATION SETS 1, 2 OR 3

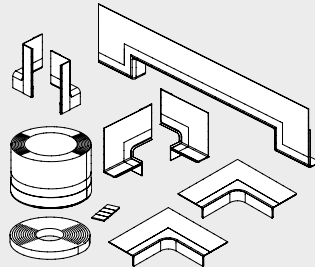
Waste fitting KA 200



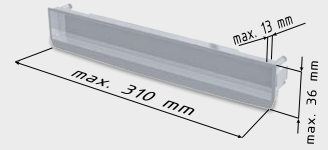
Installation cover



XETIS sealing system XDS



Designer cover for tiling (included in installation set 1)



Order No.
687676260000

oder

Designer cover polished chrome plate (included in installation set 2)



Order No.
687676270000

oder

Designer cover, polished chrome, with collar* (included in installation set 3)



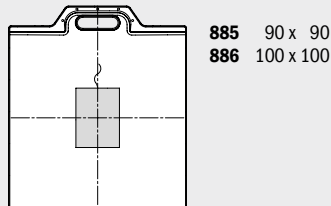
Order No.
687676370000

XETIS installation sets	Order No.	EUR
XETIS installation set 1 with designer cover for tiling includes waste fitting KA 200, XETIS sealing system XDS, installation cover, designer cover for tiling	687676310000	
or		
XETIS installation set 2 with designer cover polished chrome plate includes waste fitting KA 200, XETIS sealing system XDS, installation cover, designer cover polished chrome plate	687676320000	
or		
XETIS installation set 3 with designer cover, polished chrome, with collar includes waste fitting KA 200, XETIS sealing system XDS, installation cover, designer cover polished chrome plate with collar	687676390000	

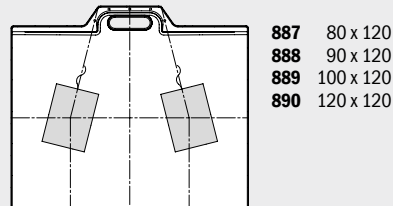
XETIS INSTALLATION SOLUTION MAS 5305 CENTRAL SUPPORT SYSTEM

Number and positioning:

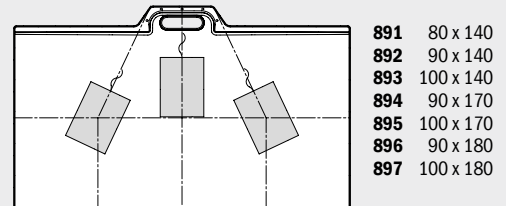
1 x MAS



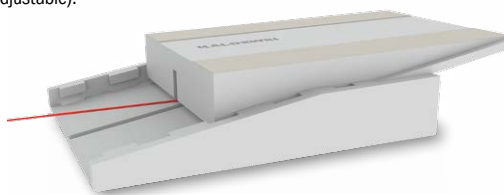
2 x MAS



3 x MAS



Mitten-Abstütz-System MAS 5305	Order No.	EUR
Recommended for shower trays with assembly or installation frame whose side length is 90 cm and longer. 240 x 300 mm (W x L), Height: 48 to 135 mm (adjustable). Set comprising: 2 x double-sided adhesive tape 1 x upper wedge 1 x lower wedge 1 x pull plate (ready-mounted) 1 x pull cord (ready-mounted) 1 x adapter panel 40 mm 1 x adapter panel 20 mm	688076530000	



To meet the strict requirements of DIN 4109 - Sound insulation in buildings and VDI 4100/SST3, please use the XETIS sound insulation solution; see page 292.

INSTALLATION

SHOWER TRAY FEET

Universal shower tray feet 5200

- 5 height-adjustable screw-type feet (96 to 141 mm and 141 to 186 mm)
- size adjustment up to maximum 90 x 90 cm
- depending on the installation situation, 2 sides and the junction point can be shifted
- feet are sound-proofed. Optimum sound proofing in accordance with DIN 4109/A1 in conjunction with the KALDEWEI DWS sound insulating set
- observe the respective feet recommendation for each shower tray



Leg sets	Model Order No.	Amount	EUR
UNIVERSAL for shower trays	5200 58437700000	Pallet unit 80 pcs.	

CENTRAL SUPPORT SYSTEMS

MAS 5305 Central Support System

(for SUPERPLAN, SUPERPLAN PLUS, SUPERPLAN XXL, DUSCHPLAN, DUSCHPLAN XXL, FONTANA (depth 2,5 and 6,5 cm), ARRONDO, CORNEZZA, ZIRKON (3,5 and 6,5 cm), XETIS

Recommended for shower tray foot frame FR 5300 or ESR II whose side length is 90 cm and longer

240 x 300 mm (W x L)

Height: 48 to 135 mm (adjustable)

Set comprising:

- 2 x double-sided adhesive tape
- 1 x upper wedge
- 1 x lower wedge
- 1 x pull plate (ready-mounted)
- 1 x pull cord (ready-mounted)
- 1 x adapter panel 40 mm
- 1 x adapter panel 20 mm



Order No.

688076530000

EUR

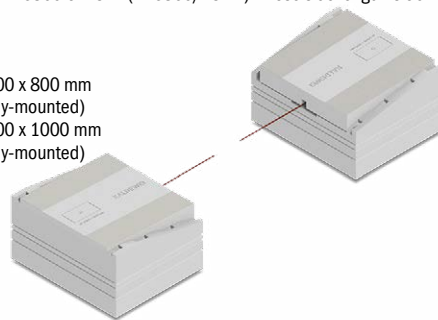
MAS 5315 Central Support System for CONOFLAT

Recommended for shower tray foot frame FR 5300 or ESR II (FR 5300/ESR II) whose side length is 90 cm and longer

Height: 50 to 137 mm (adjustable)

Set comprising:

- 2 x upper wedge for shower trays from 1500 x 800 mm incl. double-sided adhesive tape (ready-mounted)
- 2 x upper wedge for shower trays from 1400 x 1000 mm incl. double-sided adhesive tape (ready-mounted)
- 2 x lower wedge
- 2 x pull plate (ready-mounted)
- 2 x 160 cm pull cord (ready-mounted)
- 2 x adapter panel 10 mm
- 2 x adapter panel 20 mm
- 2 x adapter panel 40 mm



Order No.

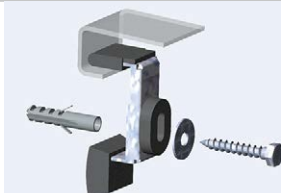
688076990000

EUR

Please note: Shower trays from size 90 x 90 which are installed using a frame system require central support. We recommend using MAS.

BATH SECURING DEVICE

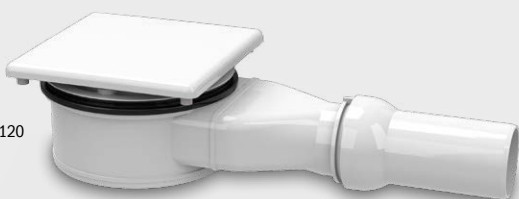
	Order No.		EUR
sound-proofed, Set with 2 pcs.	687675130000	1 Set from 10 Sets	



WASTE SYSTEMS

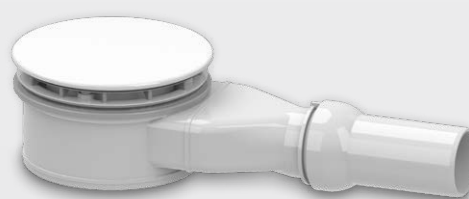
WASTE FITTINGS KA 120 AND KA 125

KALDEWEI KA 120
Mod. 4091



- patented waste fitting KA 120
- drainage capacity: 0,85 l/s
- Enamelled waste cover that is flush with the shower area
- conforms to EN 274
- easy to clean

KALDEWEI KA 125
Mod. 4096



- patented waste fitting KA 125
- drainage capacity: 0,85 l/s
- Enamelled waste cover that is flush with the shower area
- conforms to EN 274
- easy to clean

KALDEWEI KA 120 vertical
Mod. 4093

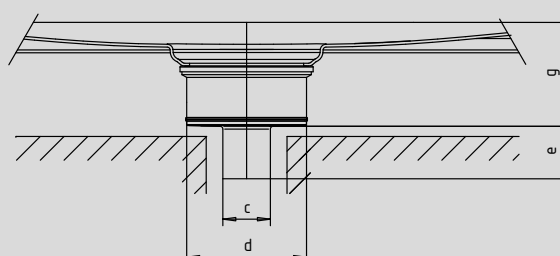
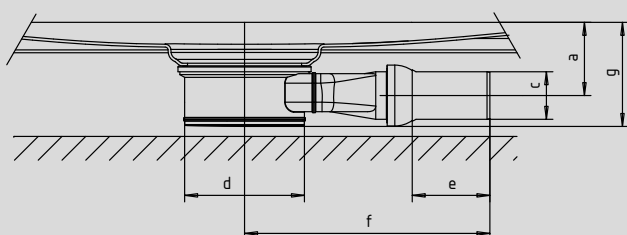


- patented waste fitting KA 120 vertical
- drainage capacity: 1,4 l/s
- Enamelled waste cover that is flush with the shower area
- conforms to EN 274
- easy to clean

KALDEWEI KA 125 vertical
Mod. 4098



- patented waste fitting KA 125 vertical
- drainage capacity: 1,4 l/s
- Enamelled waste cover that is flush with the shower area
- conforms to EN 274
- easy to clean



		KA 120	KA 125	KA 120 vertical	KA 125 vertical
		4091	4096	4093	4098
Siphon connection height	a	76	76	49	49 mm
Height shower tray with siphon	b	107	109	107	109 mm
Connection pipe diameter	c	50	50	50	50 mm
Outside diameter at the siphon pot	d	130	130	130	130 mm
Long connection pipe (can be cut to length)	e	82	82	55	55 mm
Distance between the siphon axis and the connection pipe	f	260	260	-	-

We recommend the use of a backflow block. The total height and siphon may require installation in a floor recess.

Special waste fittings	Model Order No.	Image	Colour price groups				EUR
			I (alpine white)	II	III	IV	
Special waste fitting KA 120 drainage capacity: 0,85 l/s	4091 68777070xxxx						
Special waste fitting KA 125 drainage capacity: 0,85 l/s	4096 68971060xxxx						
Special waste fitting KA 120 vertical drainage capacity: 1,4 l/s	4093 68777078xxxx						
Special waste fitting KA 125 vertical drainage capacity: 1,4 l/s	4098 68971062xxxx						

WASTE SYSTEMS

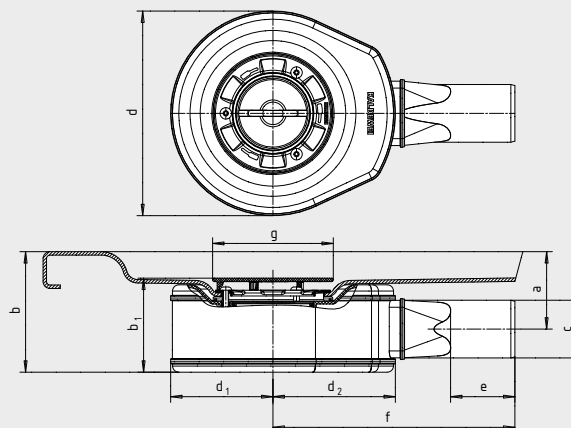
WASTE FITTINGS KA 90

KALDEWEI KA 90 standard mod. 4047

- Fitting height incl. waste cover only 81 mm
- Horizontal connection
- Drainage capacity: 0,9 l/s
- Connection diameter 50mm
- Does conform to EN 274 with water seal height 50 mm



KALDEWEI KA 90 standard
Mod. 4047

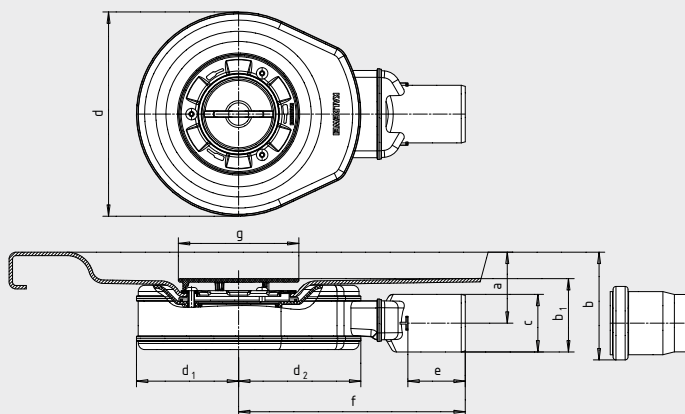


KALDEWEI KA 90 extra flat Model 4051

- Fitting height incl. waste cover only 70 mm
- Horizontal connection
- Drainage capacity: 0.8 l/s
- Connection diameter 50 mm
- Does not conform to EN 274 with water seal height 30 mm



KALDEWEI KA 90 extra flat
Model 4051



		KALDEWEI KA 90 standard 4047	KALDEWEI KA 90 extra flat 4051
Siphon connection height	a	Tray depth** + 42,5	Tray depth** + 37 mm
Height shower tray with siphon	b	Tray depth** + 80	Tray depth** + 69 mm
Fitting height incl. waste cover	b ₁	81	70 mm
Connection pipe diameter	c	50	50 mm
External dimensions	d; d ₁ ; d ₂	180; 90; 107	180; 90; 107 mm
Long connection pipe (can be cut to length)	e	55	50 mm
Distance between the siphon axis and the connection pipe	f	210	198 mm
External diameter of waste cover	g	105	105 mm

**tray depth corresponds to dimension "c" of the desired shower tray.
Please read the information in the installation instructions in the planning phase. Instructions are available at www.kaldewei.de

WASTE SYSTEMS

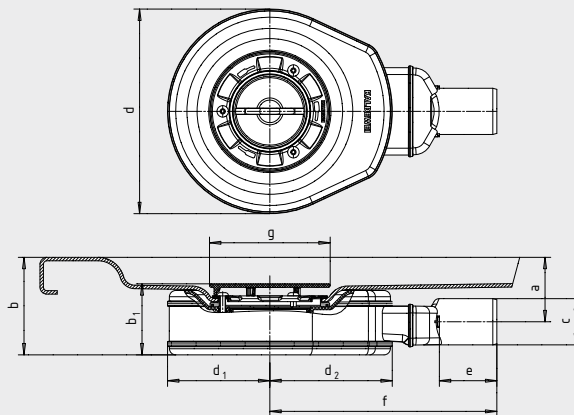
WASTE FITTINGS KA 90

KALDEWEI KA 90 ultra flat mod. 4451

- Fitting height incl. waste cover only 61 mm
- Horizontal connection
- Drainage capacity: 0.8 l/s
- Connection diameter 40 mm
- Does not conform to EN 274 with water seal height 30 mm



KALDEWEI KA 90 ultra flat
Model 4451

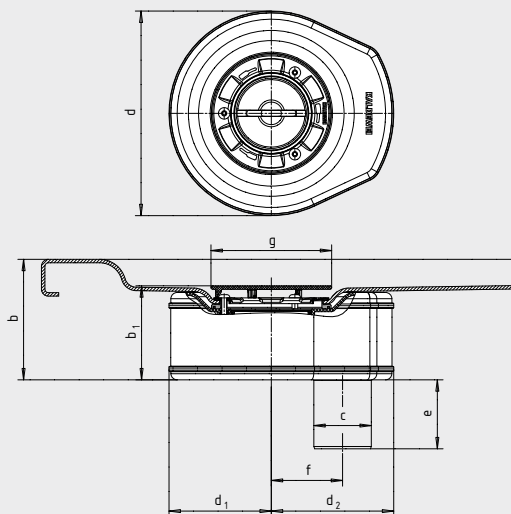


KALDEWEI KA 90 vertical Model 4055

- Fitting height incl. waste cover only 81 mm
- Vertical connection
- Drainage capacity: 1.4 l/s
- Connection diameter 50 mm
- Does conform to EN 274 with water seal height 50 mm



KALDEWEI KA 90 vertical
Model 4055



	KALDEWEI KA 90 ultra flat 4451	KALDEWEI KA 90 vertical 4055
--	-----------------------------------	---------------------------------

Siphon connection height	a	Tray depth** + 31	-
Height shower tray with siphon	b	Tray depth** + 60	Tray depth** + 80 mm
Fitting height incl. waste cover	b ₁	61	81 mm
Connection pipe diameter	c	40	50 mm
External dimensions	d; d ₁ ; d ₂	180; 90; 107	180; 90; 107 mm
Long connection pipe (can be cut to length)	e	50	60 mm
Distance between the siphon axis and the connection pipe	f	198	62 mm
External diameter of waste cover	g	105	105 mm

**tray depth corresponds to dimension "c" of the desired shower tray.
Please read the information in the installation instructions in the planning phase. Instructions are available at www.kaldewei.de

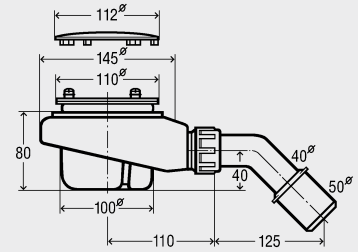
WASTE SYSTEMS

Please notice that a seal trap is obligatory to fulfill the requirements of the DIN EN 274

WASTE FITTING DIAMETER 9 CM



- for CORNEZZA, SUPERPLAN, SUPERPLAN XXL, ARRONDO, DUSCHPLAN, DUSCHPLAN XXL, FONTANA 6,5 cm, ZIRKON 6,5 cm and SUPERPLAN with low profile support
- waste fitting diameter 9 cm
- drainage capacity: 0,6 l/s
- conforms to DIN EN 274
- removable water seal trap included

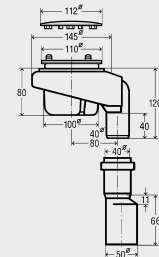


		article	diameter waste hole	Model Order No.	EUR
Waste fittings with integrated removable water seal trap	waste cover chrome	waste fitting diameter 9 cm	9 cm	4088 689710650999	

WASTE FITTING DIAMETER 9 CM VERTICAL



- for CORNEZZA, SUPERPLAN, SUPERPLAN XXL, ARRONDO, DUSCHPLAN, DUSCHPLAN XXL, FONTANA 6,5 cm, SUPERPLAN with low profile support
- waste fitting diameter 9 cm
- drainage capacity: 0,6 l/s
- conforms to DIN EN 274
- removable water seal trap included

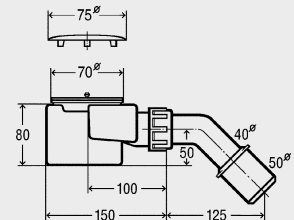


		article	diameter waste hole	Model Order No.	EUR
Waste fittings with integrated removable water seal trap	waste cover chrome	waste fitting diameter 9 cm vertical	9 cm	4087 689710660999	

WASTE FITTING DIAMETER 5,2 CM



- for FONTANA 13 cm, SANIDUSCH 14 cm and ZIRKON 14 cm
- waste fitting diameter 5,2 cm
- drainage capacity: 0,53 l/s
- conforms to DIN EN 274
- removable water seal trap included

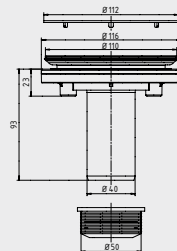


		article	diameter waste hole	Model Order No.	EUR
Waste fittings with integrated removable water seal trap	waste cover chrome	waste fitting diameter 5,2 cm	5,2 cm	4089 689710640999	

WASTE FITTING KA 90 CS (if a removable water seal trap is connected outside the waste fitting)



- for CORNEZZA, SUPERPLAN, SUPERPLAN XXL, ARRONDO, DUSCHPLAN, DUSCHPLAN XXL, FONTANA 6,5 cm, ZIRKON and SUPERPLAN with low profile support
- waste diameter 9 cm
- does not conform to DIN EN 274
- without water seal trap



		article	diameter waste hole	Model Order No.	EUR
Waste fittings without integrated removable water seal trap*	waste cover chrome	waste fitting KA 90 CS	9 cm	4086 687771510986	

* waste fittings without p-trap do not conform to DIN EN 274. Only applicable in combination with a p-trap on site.

WASTE FITTINGS KA 90

Waste fittings	Model Order No.		EUR
KA 90 waste cover chrome, drainage capacity: 0,9 l/s does conform to EN 274 (water seal height 50 mm)	4047 6877 4047 0999		
KA 90 extra flat waste cover chrome, drainage capacity: 0,8 l/s. does not conform to EN 274 (water seal height 30 mm)	4051 6877 4051 0999		
KA 90 ultra flat waste cover chrome, drainage capacity: 0,8 l/s does not conform to EN 274 (water seal height 30 mm)	4451 6877 4451 0999		
KA 90 vertical waste cover chrome, drainage capacity: 1,4 l/s does conform to EN 274 (water seal height 50 mm)	4055 6877 4055 0999		


WASTE FITTING KA 200



Available in installation set 1, 2 or 3 (see page 283).

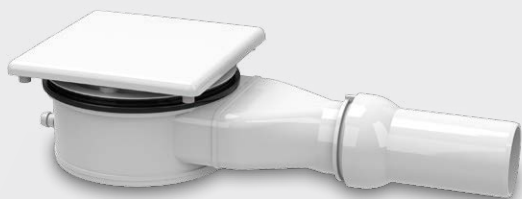
HAIR CATCHER

- available for KA 90 and KA 120/125
with and without anti-seepage connection

Hair catcher	Model Order No.		EUR
for Mod. 4047, 4051, 4451, 4055, 4048, 4052, 4452, 4056 	6877 4042 0000		
Hair catcher	Model Order No.		EUR
for Mod. 4091, 4096, 4093, 4098, 4092, 4094, 4097, 4099 	6877 7110 0000		

WASTE SYSTEMS

(see also pages 278-279)

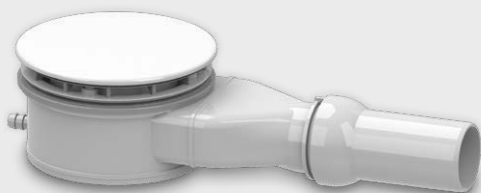
SPECIAL WASTE FITTINGS KA 120 FOR ESR II CONOFLAT

KALDEWEI KA 120
Mod. 4092



KALDEWEI KA 120 vertical
Mod. 4094

Only to be used in combination with the ESR II.
Special waste fittings for ESR II are listed on page 279.

SPECIAL WASTE FITTINGS KA 125 FOR ESR II SUPERPLAN PLUS

KALDEWEI KA 125
Mod. 4097



KALDEWEI KA 125 vertical
Mod. 4099

Only to be used in combination with the ESR II.
Special waste fittings for ESR II are listed on page 279.

WASTE SYSTEMS

WASTE FITTINGS KA 90



KALDEWEI KA 90
Mod. 4047



KALDEWEI KA 90 ultra flat
Mod. 4451



KALDEWEI KA 90 extra flat
Mod. 4051



KALDEWEI KA 90 vertical
Mod. 4055

Only to be used in combination with the ESR II.
Special waste fittings for ESR II are listed on page 279.

WASTE FITTINGS KA 90 FOR ESR II WITH DRAIN OFF CONNECTION



KALDEWEI KA 90
Mod. 4048



KALDEWEI KA 90 ultra flat
Mod. 4452



KALDEWEI KA 90 extra flat
Mod. 4052



KALDEWEI KA 90 vertical
Mod. 4056

Only to be used in combination with the ESR II.
Special waste fittings for ESR II are listed on page 279.

KALDEWEI SILENCE PLUS

SOUND-ABSORBING PADS

	Order No.		EUR
Shower tray sound-absorbing set DW-ADS Set consists of: 4 x sound-absorbing pads 250 x 250 mm	687675720000		

SOUND INSULATION SET FOR SHOWER TRAYS

	Order No.		EUR
Shower tray sound-absorbing set DWS Sound absorbing set for shower trays, consisting of: 2 x bath securing device, sound absorbed 1 x connection sound insulating strip WAS 70 1 x bath installation sound-absorbing strip WES 130 4 x Anti-drone-panel 1 x Installation leaflet Fulfills DIN 4109/A1 in combination with sound-absorbing KALDEWEI-feet.	687675600000		
Connection sound insulation strip WAS 70		Dimensions m	EUR
1 connection sound insulating strip WAS 70 1 set of assembly instructions	687676030000 687676040000	3,30 m 3,30 m, from 10 pieces 10,00 m 10,00 m, from 5 pieces	



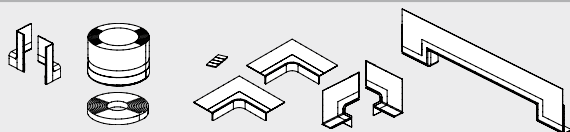
CERTIFIED SOUND INSULATION SOLUTION

	Order No.		EUR
Sound insulation solution certified to DIN 4109 – Sound insulation in buildings and VDI 4100			
Extra charge for XETIS shower surface with special sound insulation To meet the strict requirements of DIN 4109 – Sound insulation in buildings and VDI 4100/SST 3, please order the shower surface with SAD along with the XETIS Plus complementary set and the FR 5300 XETIS.			
XETIS Plus complementary set			EUR
6.25m connecting sound insulating tape WAS 2 x sound insulation pads for fixing brackets 1 x installation leaflet	687676360000		



WATERPROOF

XETIS SEALING SYSTEM XDS



Included in installation sets 1, 2 or 3 (see page 283).
(not sold separately)

SEALING TAPE WDB 95

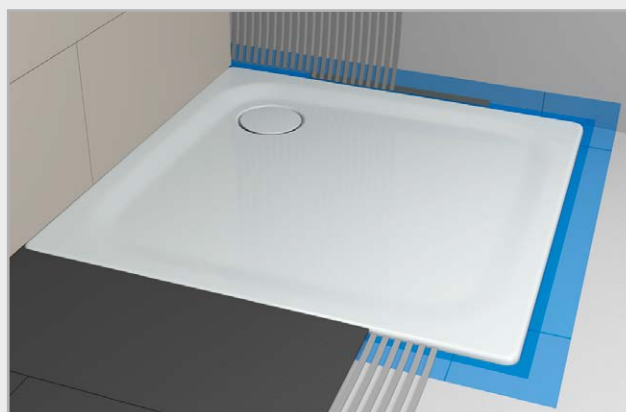
	Order No.	Dimensions m	EUR
<ul style="list-style-type: none"> • May be used as sealing along the wall • Protects KALDEWEI silicone joints on wall side against moisture migration • Easy to apply and integrates in other standard sealing systems • WDB 95 is then tiled in between bath rim and wall • Available in lengths of 3.8 m and 5 m 			
1 sealing tape, 95 mm wide 1 capillary protecting strip, 15 x 2 mm 4 capillary protecting corners 1 installation instructions 1 warning sticker for tilers	687675990000 687676000000	3,30 m 3,30 m, from 10 pieces 10,00 m 10,00 m, from 4 pieces	



WATERPROOF

SHOWER TRAY SEALING SYSTEM WDS

- Can be used for the circumferential sealing of installed shower trays
- Secures KALDEWEI silicone joints all around the shower tray against the capillary migration of moisture
- Can be easily installed and integrated within the usual advanced sealing systems
- The WDS is inserted between the edge of the shower tray and the wall and/or the floor and is then tiled in
- Can be used for various installation situations and available in the following lengths: 3.8 m, 5 m and 7.6 m



For rectangular shower trays	Order No.	Dimensions m	EUR
Standard Set 1 (for shower trays with a circumference up to 3.6 m)			
1 x shower tray sealing tape, width: 95 mm 4 x corner elements 90° 1 x capillary protective strip, 5.0 m long 4 x capillary protective corners 1 x assembly instructions 1 x reference sticker for the tiler	687676060000	3,8 m	
Standard Set 2 (for shower trays with a circumference up to 4.8 m)			
1 x shower tray sealing tape, width: 95 mm 4 x corner elements 90° 1 x capillary protective strip, 5.0 m long 4 x capillary protective corners 1 x assembly instructions 1 x reference sticker for the tiler	687676070000	5,0 m	
Standard Set 3 (for shower trays with a circumference up to 4.8 m)			
2 x shower tray sealing tape, width: 95 mm 4 x corner elements 90° 1 x capillary protective strip, 5.0 m long 4 x capillary protective corners 1 x assembly instructions 1 x reference sticker for the tiler	687676080000	7,6 m	
WDS Adapter Set			
1 x adapter, right 1 x adapter, left	687676110000		
WDS Standard Set pentagonal			
1 x shower tray sealing tape, width: 95 mm 3 x corner elements 90° 2 x corner elements 135° 1 x capillary protective strip, 5.0 m long 4 x capillary protective corners 1 x assembly instructions 1 x reference sticker for the tiler	687676090000	5,0 m	
WDS Standard Set quarter			
1 x shower tray sealing tape, width: 95 mm 1 x shower tray sealing tape, quarter 3 x corner elements 90° 1 x capillary protective strip, 5.0 m long 4 x capillary protective corners 1 x assembly instructions 1 x reference sticker for the tiler	687676100000	5,0 m	

ADDED VALUE OPTIONS

ANTI-SLIP AND FULL ANTI-SLIP

for KALDEWEI shower trays and enamelled shower surfaces

- Discontinuous, dot textured finish
- Full anti-slip shower trays are available for CONOFLAT, DUSCHPLAN XXL (not available in colour price group IV), SUPERPLAN, SUPERPLAN XXL, SUPERPLAN PLUS and XETIS
- For exact anti-slip/full anti-slip positioning on each model please visit www.kaldewei.com

The TÜV Rheinland confirms that KALDEWEI anti-slip, full anti-slip and KALDEWEI SECURE PLUS finish are slip resistant according to assessment group **B** for wet barefoot areas (**DIN 51097**) and assessment group **R10 (DIN 51130)** for slip-resistant properties in work rooms and areas with an increased risk of slipping.

- The CONOFLAT, model 790 with full anti-slip finish complies with **DIN barrier-free 18025-1** and **DIN 18040-2**.
- The SUPERPLAN, model 399 with full anti-slip finish complies with **DIN-barrierefrei 18040-2**.
- The SUPERPLAN PLUS, model 486 with full anti-slip finish complies with **DIN barrier-free 18040-2**.
- The SUPERPLAN PLUS, model 494 with full anti-slip finish complies with **DIN barrier-free 18040-1** and **DIN 18040-2**.
- The XETIS, model 890 with full anti-slip finish complies with **DIN barrier-free 18040-2**.



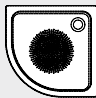

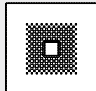
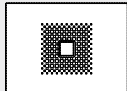
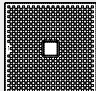
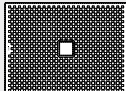
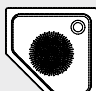

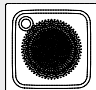
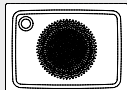
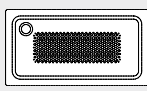
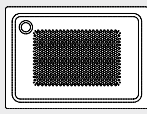
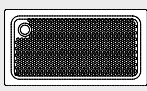
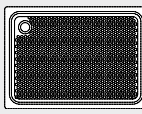

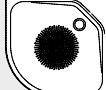

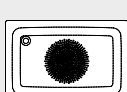
Surcharge anti-slip/full anti-slip	Colour price groups			
	I (alpine white)	II	III	IV
Anti-slip for shower trays and enamelled shower surfaces ≤ 120 cm				EUR
Anti-slip for shower trays and enamelled shower surfaces > 120 cm				
Full anti-slip for shower trays and enamelled shower surfaces ≤ 120 cm				
Full anti-slip for shower trays and enamelled shower surfaces > 120 cm				

EXEMPLARY ILLUSTRATION OF ANTI-SLIP/FULL ANTI-SLIP DESIGNS ON SHOWER TRAYS AND ENAMELLED SHOWER SURFACES

ANTI-SLIP

FULL ANTI-SLIP

FULL ANTI-SLIP
complies with
DIN barrier-free 18040.2

ARRONDO	 90 x 90	 100 x 100		
CONOFLAT	 90 x 90	 90 x 120	 90 x 90	 90 x 120
CORNEZZA	 90 x 90	 100 x 100		
DUSCHPLAN	 90 x 90	 90 x 120		
DUSCHPLAN XXL	 75 x 140	 100 x 140	 75 x 140	 100 x 140
FONTANA	 90 x 90	 100 x 100		
SANIDUSCH	 90 x 90	 80 x 120		

The sizes of the anti-slip and full anti-slip can be found in the technical information on the respective product pages.

ADDED VALUE OPTIONS

EXEMPLARY ILLUSTRATION OF ANTI-SLIP/FULL ANTI-SLIP DESIGNS ON SHOWER TRAYS AND ENAMELLED SHOWER SURFACES

ANTI-SLIP

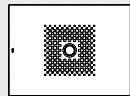
FULL ANTI-SLIP

FULL ANTI-SLIP
complies with
DIN barrier-free 18040.2

SCONA



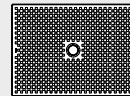
90 x 90



90 x 120



90 x 90



90 x 120

SUPERPLAN



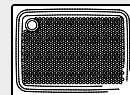
90 x 90



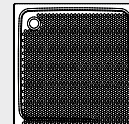
90 x 120



90 x 90



90 x 120

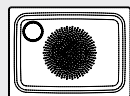


120 x 120

SUPERPLAN PLUS



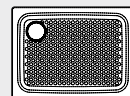
90 x 90



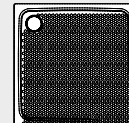
90 x 120



90 x 90

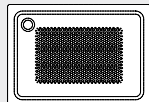


90 x 120

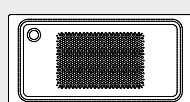


120 x 120

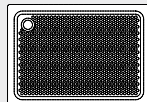
SUPERPLAN XXL



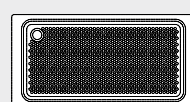
100 x 140



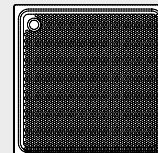
90 x 180



100 x 140

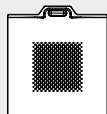


90 x 180



150 x 150

XETIS



100 x 100



100 x 140

ZIRKON



90 x 90



80 x 100

The sizes of the anti-slip and full anti-slip can be found in the technical information on the respective product pages.

ADDED VALUE OPTIONS

KALDEWEI SECURE PLUS

for enamelled shower surfaces

- Slip resistant enamelling on the full shower surface
- Available only in combination with Coordinated Colours Collection
- Available on all models from following product families: XETIS, CONOFLAT, SUPERPLAN and SUPERPLAN PLUS (except SUPERPLAN XXL and SUPERPLAN PLUS 150 x 150 cm)

The TÜV Rheinland confirms that KALDEWEI KALDEWEI SECURE PLUS finish are slip resistant according to assessment group **B** for wet barefoot areas (**DIN 51097**) and assessment group **R10 (DIN 51130)** for slip-resistant properties in work rooms and areas with an increased risk of slipping.



Surcharge KALDEWEI SECURE PLUS	Order No.									EUR
KALDEWEI SECURE PLUS	xxxxxxx2xxx	≤ 120 x 120								
		> 120 x 120								

KALDEWEI SECURE PLUS cannot be combined with easy-clean finish.

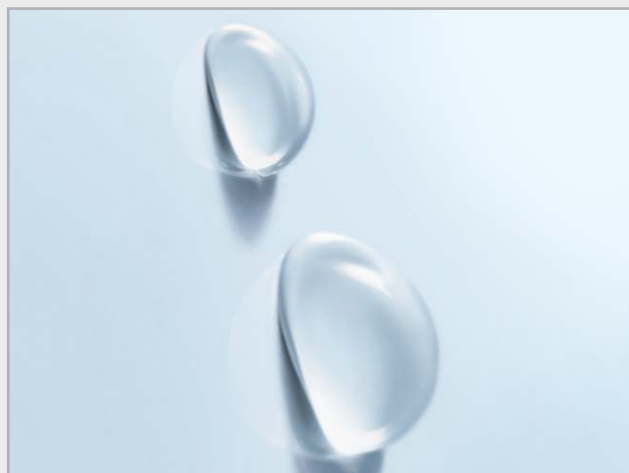
When ordering shower surfaces which have enamelled outlet covers (CONOFLAT, SUPERPLAN PLUS) please remember to order the corresponding waste /enamelled cover with SECURE PLUS also!

Special waste fitting KA 120 for CONOFLAT with enamelled waste cover	Model Order No.	Colour price groups				EUR
		I (alpine white)	II	III	IV	
KA 120 with KALDEWEI SECURE PLUS	4091 6877 7070 2xxx					
KA 120 vertical with KALDEWEI SECURE PLUS	4093 6877 7078 2xxx					
Special waste fitting KA 120 for ESR II CONOFLAT with drain off connection	Model Order No.	Colour price groups				EUR
		I (alpine white)	II	III	IV	
KA 120 with KALDEWEI SECURE PLUS	4092 6877 7071 2xxx					
KA 120 vertical with KALDEWEI SECURE PLUS	4094 6877 7077 2xxx					
Special waste fitting KA 125 for SUPERPLAN PLUS with enamelled waste cover	Model Order No.	Colour price groups				EUR
		I (alpine white)	II	III	IV	
KA 125 with KALDEWEI SECURE PLUS	4096 6897 1060 2xxx					
KA 125 vertical with KALDEWEI SECURE PLUS	4098 6897 1062 2xxx					
Special waste fitting KA 125 for ESR II SUPERPLAN PLUS with drain off connection	Model Order No.	Colour price groups				EUR
		I (alpine white)	II	III	IV	
KA 125 with KALDEWEI SECURE PLUS	4097 6897 1061 2xxx					
KA 125 vertical with KALDEWEI SECURE PLUS	4099 6877 1063 2xxx					

ADDED VALUE OPTIONS

EASY-CLEAN FINISH



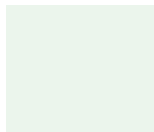

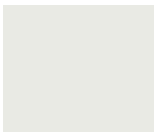



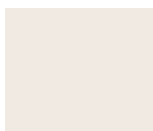
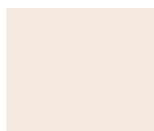
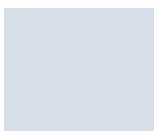




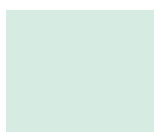
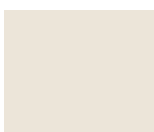
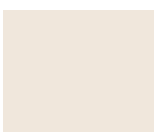






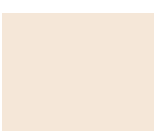



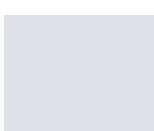
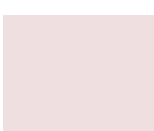





All baths and shower trays are available with the easy-clean finish. The easy-clean finish is a surface finish that is permanently burnt onto the KALDEWEI steel enamel. Water droplets form beads and simply roll down the sides, taking virtually all dirt particles and limescale with them. Even dried-on water marks and limescale deposits can be quickly wiped away.



Surcharge easy-clean finish	Model Order No.	EUR
for shower trays	xxxxxxx3xxx	

COLOUR & STYLE

COLOUR OVERVIEW FOR SHOWER TRAYS

Colour price group I	Colour price group II	Colour price group III				Colour price group IV Coordinated Colours Collection	
 alpine white	 manhattan	 ägäis	 bahamabeige	 bianco I. S.	 calypso	 ancona brown matt	 arctic white matt (until 31.03.)
	 pergamon	 candel	 capri V+B	 champagner	 edelweiß	 alpine white matt (from 01.04.)	 catania grey matt
		 greenwich	 ind.-elfenbein	 jasmin	 key west Duravit	 city-anthracite matt	 lava black matt
		 melba Duravit	 natura V+B	 schwarz	 soft-cream	 pasadena grey matt	 peri grey matt
		 star white	 whisper blau	 whisper rosa		 seashell cream matt	 prairie beige matt
						 maple brown matt	 woodberry brown matt
						 oyster grey matt	

Actual product colours may differ slightly from those illustrated due to the printing process.

Colour	Colour code	Colour price group	Colour	Colour code	Colour price group
ägäis	0499	III	jasmin	0141	III
alpine white	0001	I	key west Duravit	0650	III
bahamabeige	0030	III	manhattan	0199	II
bianco I. S.	0563	III	melba Duravit	0188	III
calypso	0571	III	natura V+B	0099	III
candel	0056	III	pergamon	0231	II
capri V+B	0054	III	black	0701	III
champagner	0065	III	soft-cream	0283	III
edelweiss	0579	III	star white	0089	III
greenwich	0635	III	whisper blau	0370	III
ind.-elfenbein	0121	III	whisper rosa	0372	III
Special colours for floor-level showers (less than 6 cm deep) – also with easy-clean finish					
Colour	Colour code	Colour price group	Colour	Colour code	Colour price group
ancona brown matt	0714	IV	oyster grey matt	0727	IV
arctic white matt (available until 31.03.16)	0713	IV	pasadena grey matt	0718	IV
alpinwhite matt (available from 01.04.16)	0711	IV	pearl grey matt	0719	IV
catania grey matt	0715	IV	prairie beige matt	0442	IV
city-anthracite matt	0716	IV	seashell cream matt	0728	IV
lava black matt	0717	IV	woodberry brown matt	0730	IV
maple brown matt	0731	IV			

COLOUR & STYLE

DECORATION

- decorative lily in delicate shades of grey
- permanently burned into the KALDEWEI steel enamel

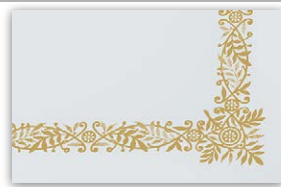
Model	Colour	Model no.	EUR
for shower trays			
			
CONOFLAT	alpine white, black	all models	
SUPERPLAN, SUPERPLAN XXL, SUPERPLAN PLUS	alpine white, black	all models	

Not available for the following shower trays with anti-slip finish: CONOFLAT, SUPERPLAN Mod. 385 and Mod. 400 and all SUPERPLAN XXL models. Not available for shower trays with full anti-slip.

GOLD ORNAMENTATION

EUR

- gold ornamentation in 24 carat gold plating
- exclusive ornamentation for individual bathroom design



Model	Colour	Model no.	EUR
For CONOFLAT 100 x 100 cm	alpine white	786	

ANTI-SLIP ORNAMENT

EUR

KALDEWEI anti-slip keeps you on firm ground when you get into the shower. The anti-slip enamel is firmly bonded to the KALDEWEI steel enamel: a structured surface made from a permanently burnt-on quartz-sand combination for added safety in the bath. And as well as being hygienic, it lasts as long as the bath does.



Model	Colour	Model no.	EUR
ARRONDO CORNEZZA SUPERPLAN, SUPERPLAN XXL, SUPERPLAN PLUS	alpine white	870, 872 670, 672 all models	

COLOUR & STYLE

COLOURED WASTE COVERS FOR SHOWER TRAYS KA 90

- for a coordinated look in the shower – without detracting chrome element
- in Coordinated Colours Collection, alpine white and black
- suitable for waste fittings KA 90, KA 90 extra flat, KA 90 ultra flat, KA 90 vertical
- flush design in combination with KALDEWEI shower surfaces



alpine white



black



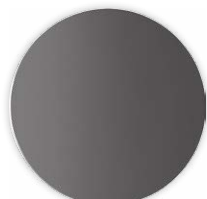
ancona brown matt



arctic white matt
(available until 31.03.16)



alpine white matt
(available from 01.04.16)



catania grey matt



city-anthracite matt



lava black matt



pasadena grey matt



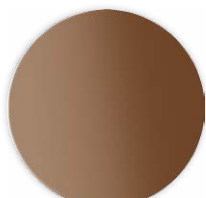
perl grey matt



seashell cream matt



prairie beige matt



maple brown matt



woodberry brown matt



oyster grey matt

Waste covers			Model Order No.	EUR
alpine white			4900 687749000001	
black			4900 687749000701	
ancona brown matt			4900 687749000714	
arctic white matt (available until 31.03.16)			4900 687749000713	
alpine white matt (available from 01.04.16)			4900 687749000711	
catania grey matt			4900 687749000715	
city-anthracite matt			4900 687749000716	
lava black matt			4900 687749000717	
pasadena grey matt			4900 687749000718	
pearl grey matt			4900 687749000719	
seashell cream matt			4900 687749000728	
prairie beige matt			4900 687749000442	
maple brown matt			4900 687749000731	
woodberry brown matt			4900 687749000730	
oyster grey matt			4900 687749000727	

For technical reasons, the colour of the waste cover may differ slightly from the shower tray finish.

ENAMEL SET

Spatula
 Filler 30 g
 Hardener 8 g
 Enamel-Spray 36 ml



Not suitable for products with surface finish (easy-clean finish, anti-slip, full anti-slip and SECURE PLUS)

alpinweiß
 bahamabeige
 pergamon
 manhattan

Order No.
 687673560001
 687673560030
 687673560231
 687673560199

from 10 pieces

EUR

ENAMEL PEN

12 ml



alpine white
 bahamabeige
 pergamon
 manhattan
 black
 ancona brown matt
 alpine white matt (from 01. 04.)
 catania grey matt
 city-anthracite matt
 lava black matt
 pasadena grey matt
 pearl grey matt
 oyster grey matt
 seashell cream matt
 woodberry brown matt
 maple brown matt
 prairie beige matt

Order No.
 687673580001
 687673580030
 687673580231
 687673580199
 687673580701
 687673580714
 687673580713
 687673580715
 687673580716
 687673580717
 687673580718
 687673580719
 687673580727
 687673580728
 687673580730
 687673580731
 687673580442

from 16 pieces

EUR

ENAMEL CLEANING

100 ml



Order No.
 687673600000

from 12 pieces

EUR

CLEANING PEN



Order No.
 687673540000

from 12 pieces

EUR

SPECIAL ENAMEL CLEANING AGENT

500 ml
 For cleaning and maintaining enamel surfaces as well as Antislip and easy-clean finish.



Order No.
 687673770000

EUR

MEISTERSTÜCK EMERSO WASHBASIN

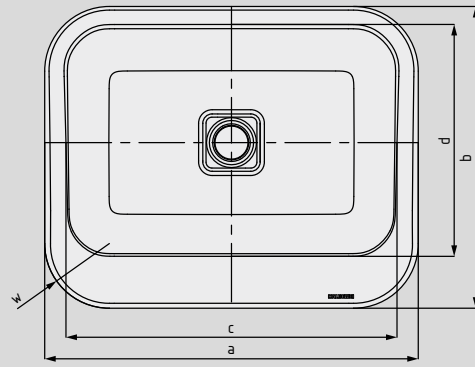
- sculpture of perfect harmony
- inverse design of the rim underlines the subtle and harmonious effect
- flush-fitting waste reinforces the impression of a fluid shape
- pure freedom - centrally-placed waste allows use from any side
- matches the Meisterstück EMERSO bath
- designed by Arik Levy



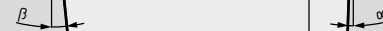
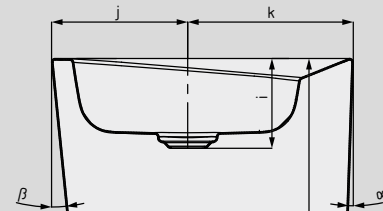
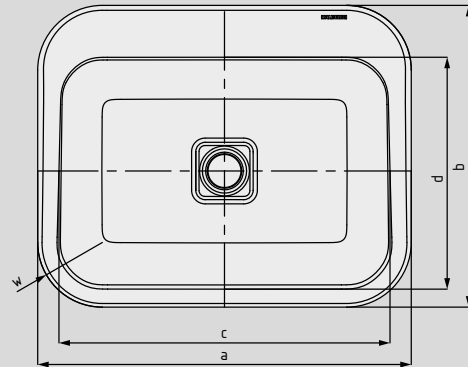
Similar illustrations

*Pure freedom - the centrally-placed waste allows a choice of washbasin positions for installation.
Choose your preferred front side from the above installation options.

Front side Option A* (wide rim = user access)



Front side Option B* (narrow rim = user access)



Option B

Option A

Model No.		3020
External length	a	520 mm
External width	b	420 mm
Internal length	c	461 mm
Internal width	d	323 mm
Height	h	900 mm
Distance basin surface to bottom edge of waste hole	i	125 mm
Distance rear edge to centre of waste hole	j	189,5 mm
Distance outer edge to centre of waste hole	k	230,5 mm
Radius of washbasin corner	w	90 mm
Slant front side, Option A	α	2°
Slant front side, Option B	β	6°
Weight of the enamelled washbasin in kg		35,2

	Model Order No.	Dimensions mm	EUR
FRONT SIDE OPTION A			
MEISTERSTÜCK EMERSO WASHBASIN with easy-clean finish and sound insulation without overflow incl. free-flow waste with square, enamelled cover, Alpine White	3020 904806003001	520 x 420 x 900	
FRONT SIDE OPTION B			
MEISTERSTÜCK EMERSO WASHBASIN with easy-clean finish and sound insulation without overflow incl. free-flow waste with square, enamelled cover, Alpine White	3020 904806023001	520 x 420 x 900	
Please note that the installation of a MEISTERSTÜCK EMERSO washbasin requires a vertical odour trap.			

(M)

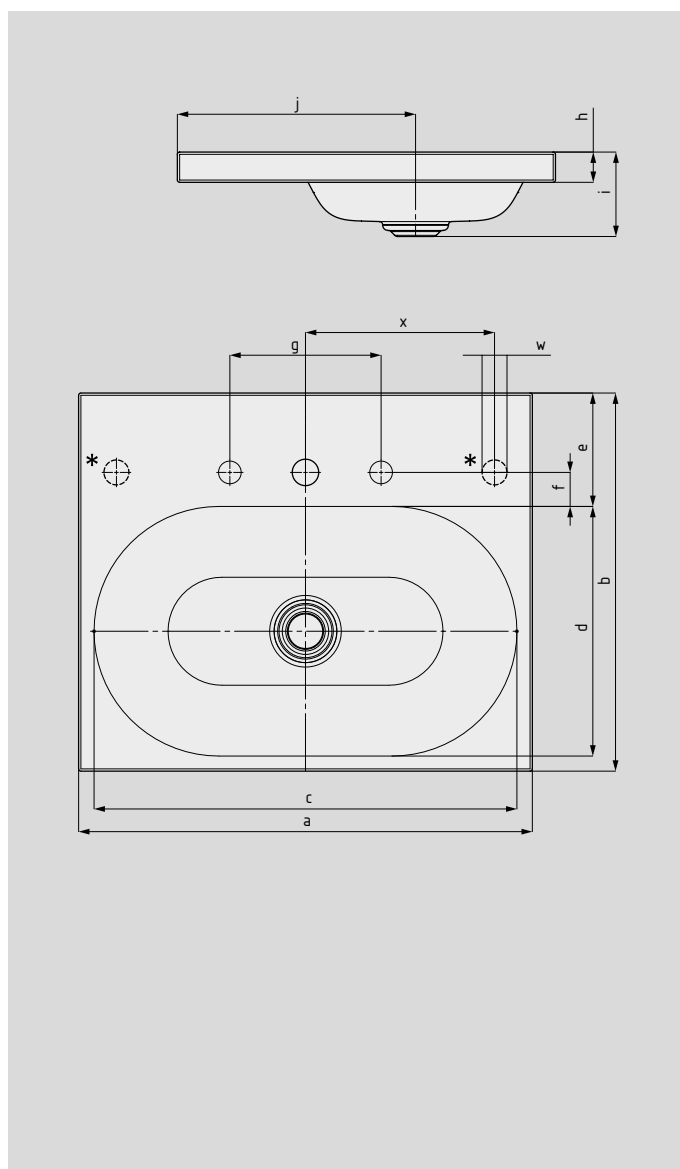
CENTRO INSET COUNTERTOP WASHBASIN

(HEIGHT OF RIM 40 MM)

- fusion of minimalism and simple elegance
- luxurious look - integrates perfectly both in modern and traditional bathroom settings
- circle taken as the basic shape echoes in the perfectly integrated enamelled waste
- washbasin surround with ample space for individual accessories
- matching counterpart to the Centro bath
- designed by Anke Salomon



Similar illustrations



* Control knob holes for CLOU waste and overflow system with cable operated pop-up waste and deck mounted control knob, optionally left or right

Model No.		3055	3056
External length	a	600	900 mm
External width	b	500	500 mm
Internal length	c	559	859 mm
Internal width	d	330	330 mm
Depth of tap deck	e	150	150 mm
Distance tap holes to edge	f	45	45 mm
Distance of tap holes	g	200	200 mm
Height of rim	h	40	40 mm
Distance basin surface to bottom edge of waste hole	i	112	112 mm
Distance rear edge to centre of waste hole	j	315	315 mm
Diameter of control knob hole	w	33	33 mm
Distance of tap hole to centre of control knob hole	x	250	275 mm
Weight of the enamelled washbasin in kg		8,0	11,3

Subject to technical alterations, tolerances and errors. Similar illustrations.

	Model Order No.	Dimensions mm	EUR
CENTRO INSET COUNTERTOP WASHBASIN with 1 tap hole with easy-clean finish and sound insulation Alpine White, enamelled on both sides without overflow	3055 9028 0601 3001 3056 9029 0601 3001	600 x 500 x 40 900 x 500 x 40	
CENTRO INSET COUNTERTOP WASHBASIN with 1 tap hole with control knob hole for CLOU waste and overflow system with cable operated pop-up waste and deck mounted control knob, easy-clean finish and sound insulation Alpine White, enamelled on both sides without overflow	3055 available on request 3056 available on request	600 x 500 x 40 900 x 500 x 40	
TAP HOLE available without extra charge			
without tap hole	xxxx 0600 xxxx		
3 tap holes	xxxx 0603 xxxx		
ACCESSORIES (to be ordered separately)			
CLOU waste and overflow system for lever operation round, enamelled cover, alpine white for fittings with lever operation	3900 9053 0000 0001		
or			
CLOU waste and overflow system with cable and chrome plated knob (Bowden cable); round, enamelled cover, alpine white includes extra charge for control knob hole; to be ordered with washbasin with control knob hole.	3902 9055 0000 0001		
or			
Free-flow waste round, enamelled cover, alpine white	3904 9058 0000 0001		
OPTIONAL ACCESSORIES (to be ordered separately)			
Designer bottle trap	3908 9057 0000 0999		
Check recommended taps for this washbasin in our Style Guide at www.kaldewei.com			

The CENTRO Inset Countertop Washbasin can be combined with furniture such as from the Aqua, Diago and Echo series by Burgbad.



Furniture available for all
CENTRO Inset Countertop Washbasins

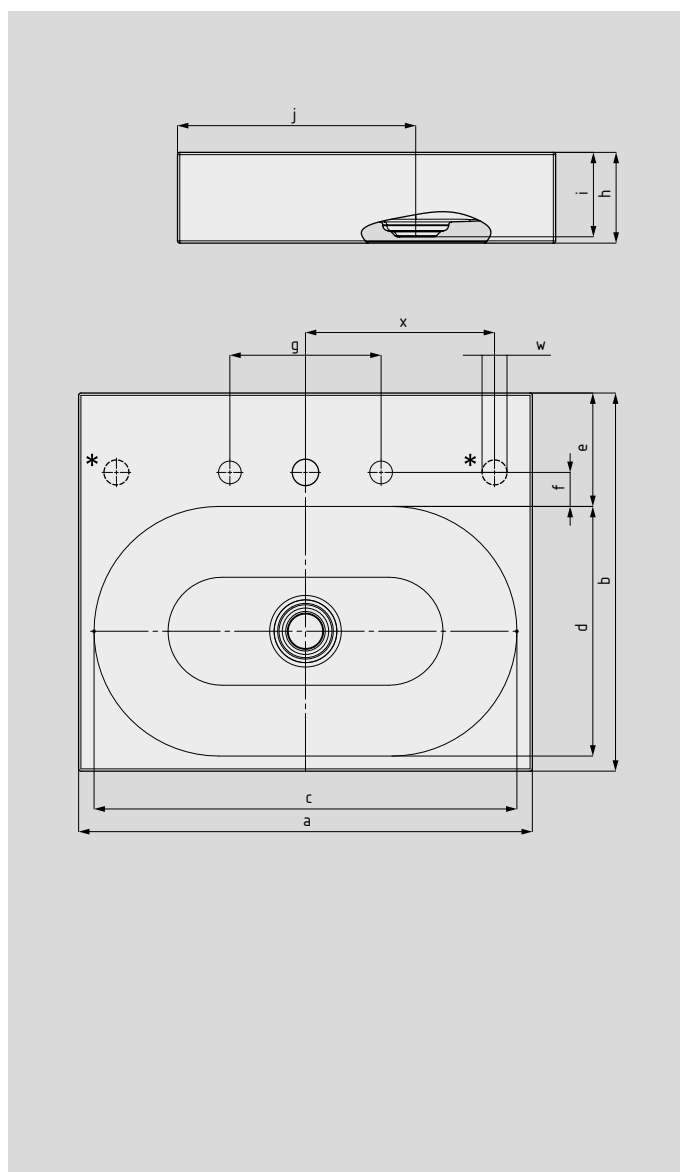
CENTRO COUNTERTOP WASHBASIN

(HEIGHT OF RIM 120 MM)

- fusion of minimalism and simple elegance
- luxurious look - integrates perfectly both in modern and traditional bathroom settings
- circle taken as the basic shape echoes in the perfectly integrated enamelled waste
- washbasin surround with ample space for individual accessories
- matching counterpart to the Centro bath
- designed by Anke Salomon



Similar illustrations



* Control knob holes for CLOU waste and overflow system with cable operated pop-up waste and deck mounted control knob, optionally left or right

Model No.		3057	3058
External length	a	600	900 mm
External width	b	500	500 mm
Internal length	c	559	859 mm
Internal width	d	330	330 mm
Depth of tap deck	e	150	150 mm
Distance tap holes to edge	f	45	45 mm
Distance of tap holes	g	200	200 mm
Height of rim	h	120	120 mm
Distance basin surface to bottom edge of waste hole	i	112	112 mm
Distance rear edge to centre of waste hole	j	315	315 mm
Diameter of control knob hole	w	33	33 mm
Distance of tap hole to centre of control knob hole	x	250	275 mm
Weight of the enamelled washbasin in kg		13,0	17,7

Subject to technical alterations, tolerances and errors. Similar illustrations.

	Model Order No.	Dimensions mm	EUR
CENTRO COUNTERTOP WASHBASIN with 1 tap hole with easy-clean finish and sound insulation Alpine White, enamelled on both sides without overflow	3057 9030 0601 3001 3058 9031 0601 3001	600 x 500 x 120 900 x 500 x 120	
CENTRO COUNTERTOP WASHBASIN with 1 tap hole with control knob hole for CLOU waste and overflow system with cable operated pop-up waste and deck mounted control knob, easy-clean finish and sound insulation Alpine White, enamelled on both sides without overflow	3057 available on request 3058 available on request	600 x 500 x 120 900 x 500 x 120	
TAP HOLE available without extra charge			
without tap hole	xxxx 0600 xxxx		
3 tap holes	xxxx 0603 xxxx		
ACCESSORIES (to be ordered separately)			
CLOU waste and overflow system for lever operation round, enamelled cover, alpine white for fittings with lever operation	3900 9053 0000 0001		
or			
CLOU waste and overflow system with cable and chrome plated knob (Bowden cable); round, enamelled cover, alpine white includes extra charge for control knob hole; to be ordered with washbasin with control knob hole.	3902 9055 0000 0001		
or			
Free-flow waste round, enamelled cover, alpine white	3904 9058 0000 0001		
OPTIONAL ACCESSORIES (to be ordered separately)			
Designer bottle trap	3908 9057 0000 0999		
Check recommended taps for this washbasin in our Style Guide at www.kaldewei.com			

The CENTRO Countertop Washbasin can be combined with furniture such as from the Aqua, Diago and Echo series by Burgbad.



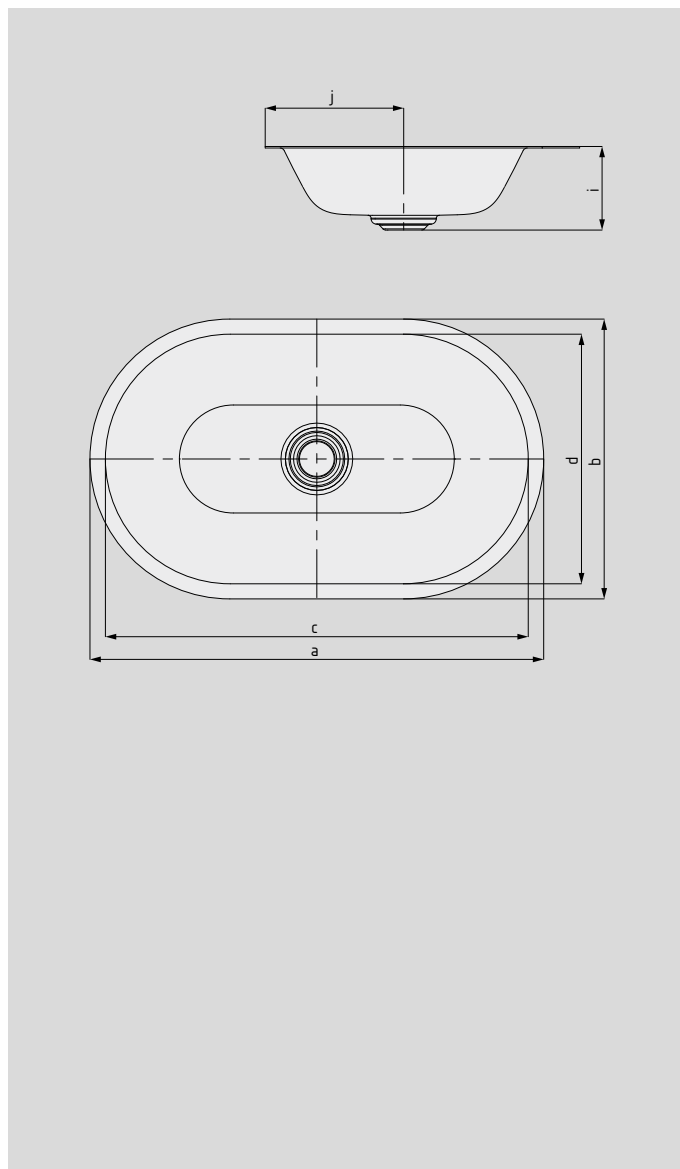
Furniture available for all CENTRO Countertop Washbasins with an edge height of 120 mm

CENTRO UNDERCOUNTER WASHBASIN

- fusion of minimalism and simple elegance
- luxurious look - integrates perfectly both in modern and traditional bathroom settings
- circle taken as the basic shape echoes in the perfectly integrated enamelled waste
- matching counterpart to the Centro bath
- designed by Anke Salomon



Similar illustrations



Model No.		3059	3060
External length	a	610	910 mm
External width	b	380	380 mm
Internal length	c	559	859 mm
Internal width	d	330	330 mm
Distance basin surface to bottom edge of waste hole	i	112	112 mm
Distance rear edge to centre of waste hole	j	190	190 mm
Weight of the enamelled washbasin in kg		6,4	9,3

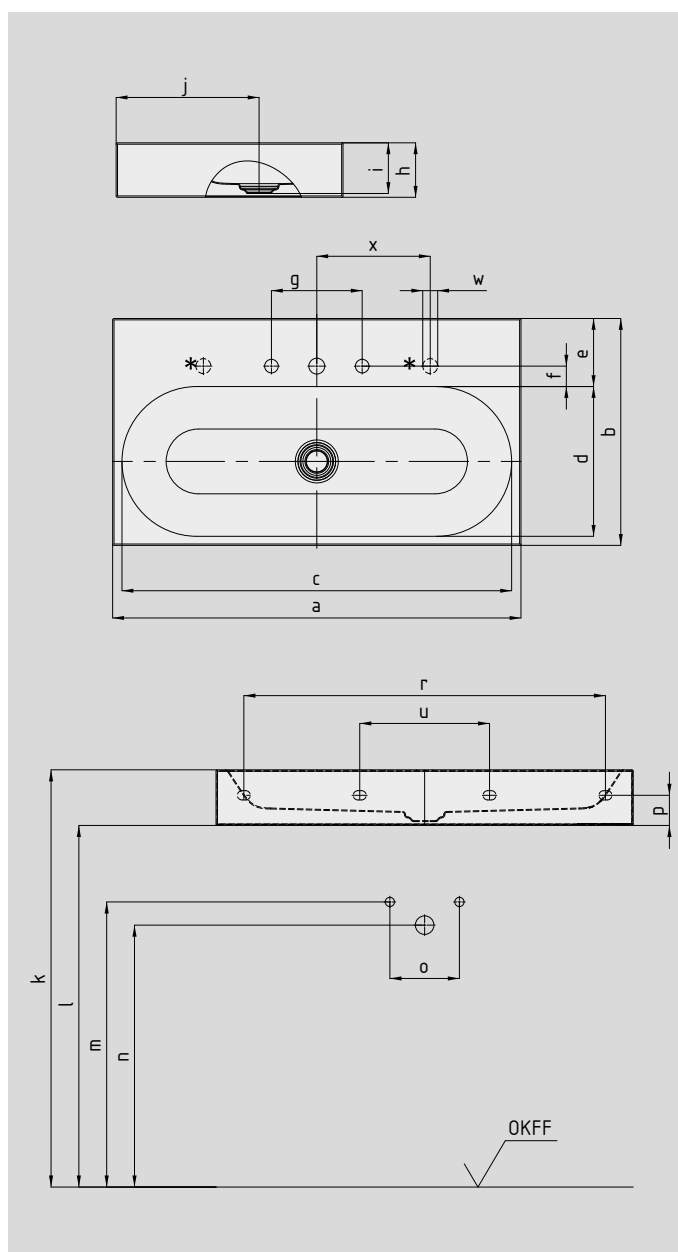
	Model Order No.	Dimensions mm	EUR
CENTRO UNDERCOUNTER WASHBASIN with 1 tap hole with easy-clean finish and sound insulation Alpine White, enamelled on both sides without overflow	3059 9032 0601 3001 3060 9033 0601 3001	610 x 380 910 x 380	
ACCESSORIES (to be ordered separately)			
CLOU waste and overflow system for lever operation round, enamelled cover, alpine white for fittings with lever operation	3900 9053 0000 0001		
or			
CLOU waste and overflow system with cable and chrome plated knob (Bowden cable); round, enamelled cover, alpine white includes extra charge for control knob hole; to be ordered with washbasin with control knob hole.	3902 9055 0000 0001		
or			
Free-flow waste round, enamelled cover, alpine white	3904 9058 0000 0001		
OPTIONAL ACCESSORIES (to be ordered separately)			
Designer bottle trap	3908 9057 0000 0999		
Check recommended taps for this washbasin in our Style Guide at www.kaldewei.com			

CENTRO WALL-HUNG WASHBASIN

- fusion of minimalism and simple elegance
- luxurious look - integrates perfectly both in modern and traditional bathroom settings
- circle taken as the basic shape echoes in the optimally integrated enamelled waste
- washbasin surround with ample space for individual accessories
- matching counterpart to the Centro bath
- designed by Anke Salomon



Similar illustrations



* Control knob holes for CLOU waste and overflow system with cable operated pop-up waste and deck mounted control knob, optionally left or right

Model No.		3061	3062
External length	a	600	900 mm
External width	b	500	500 mm
Internal length	c	559	859 mm
Internal width	d	330	330 mm
Depth of tap deck	e	150	150 mm
Distance tap holes to edge	f	45	45 mm
Distance of tap holes	g	200	200 mm
Height of rim	h	120	120 mm
Distance basin surface to bottom edge of waste hole	i	112	112 mm
Distance rear edge to centre of waste hole	j	315	315 mm
Distance FF*1 to top edge of basin surface	k	820-850	820-850 mm
Distance FF*1 to bottom edge (washbasin)	l	700-730	700-730 mm
Distance FF*1 to centre of water inlet	m	570-600	570-600 mm
Distance FF*1 to centre of drain hole wall connection	n	520-580	520-580 mm
Distance hot/cold water inlet	o	80-150	80-150 mm
Distance bottom edge to centre of fixing hole	p	65	65 mm
Outer distance of fixing holes*2	r		780 mm
Inner distance of fixing holes*2	u	280	280 mm
Diameter of control knob hole	w	33	33 mm
Distance of tap hole to centre of control knob hole	x	250	275 mm
Weight of the enamelled washbasin in kg		13,0	17,7

*1 Finished floor level.

*2 Check the recommended number of fixing holes before purchasing the fittings (varies depending on size of washbasin). Subject to technical alterations, tolerances and errors. Similar illustrations.

	Model Order No.	Dimensions mm	EUR
CENTRO WALL-HUNG WASHBASIN with 1 tap hole with easy-clean finish and sound insulation Alpine White, enamelled on both sides without overflow	3061 9034 0601 3001 3062 9035 0601 3001	600 x 500 x 120 900 x 500 x 120	
CENTRO WALL-HUNG WASHBASIN with 1 tap hole with control knob hole for CLOU waste and overflow system with cable operated pop-up waste and deck mounted control knob, with easy-clean finish and sound insulation Alpine White, enamelled on both sides without overflow	3061 available on request 3062 available on request	600 x 500 x 120 900 x 500 x 120	
TAP HOLE available without extra charge			
without tap hole	xxxx 0600 xxxx		
3 tap holes	xxxx 0603 xxxx		
ACCESSORIES (to be ordered separately)			
CLOU waste and overflow system for lever operation round, enamelled cover, alpine white for fittings with lever operation	3900 9053 0000 0001		
or			
CLOU waste and overflow system with cable and chrome plated knob (Bowden cable); round, enamelled cover, alpine white includes extra charge for control knob hole; to be ordered with washbasin with control knob hole.	3902 9055 0000 0001		
or			
Free-flow waste round, enamelled cover, alpine white	3904 9058 0000 0001		
OPTIONAL ACCESSORIES (to be ordered separately)			
Designer bottle trap	3908 9057 0000 999		
Check recommended taps for this washbasin in our Style Guide at www.kaldewei.com			

The CENTRO Wall-Hung Washbasin can be combined with furniture such as from the Aqua, Diago and Echo series by Burgbad.



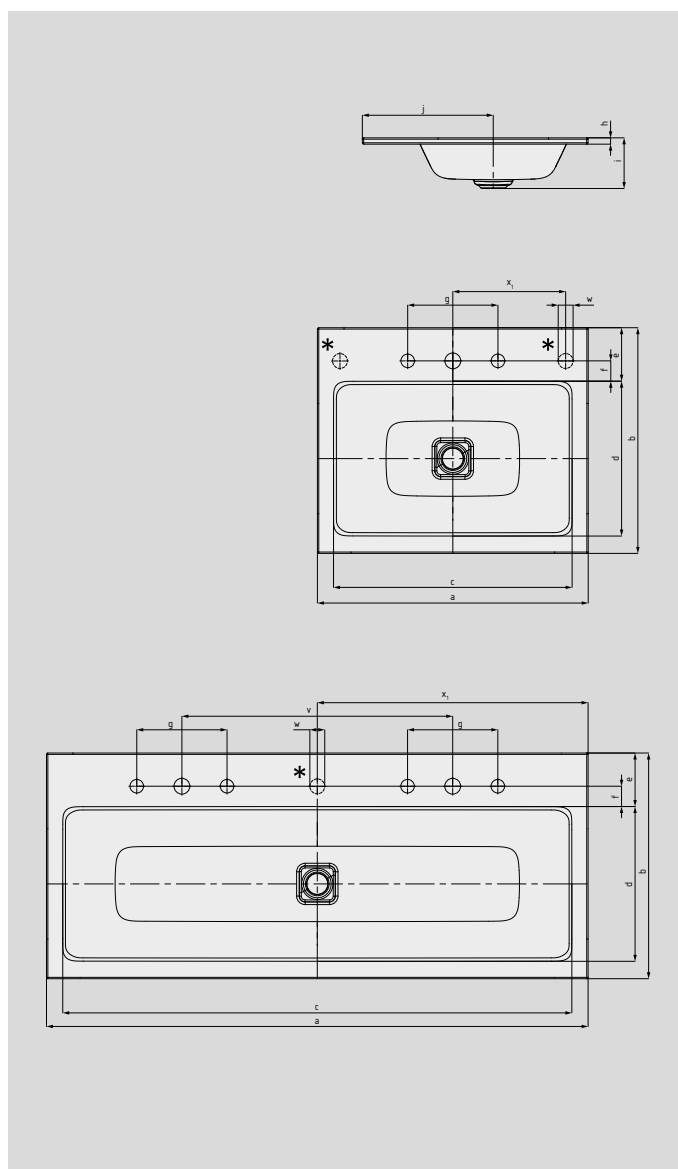
Furniture available for all CENTRO Wall-Hung Washbasins with an edge height of 120 mm

CONO BUILT-IN WASHBASIN

- washbasin with premium character exudes elegance and harmony
- optimally integrated enamelled waste accentuates the underlying geometry of the washbasin
- unusually generous rim provides space for fittings or individual accessories
- perfectly complements the CONO range



Similar illustrations

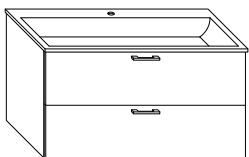


* Control knob holes for CLOU waste and overflow system with cable operated pop-up waste and deck mounted control knob, optionally left or right

Model No.		3080	3081	3082
External length	a	600	900	1200 mm
External width	b	500	500	500 mm
Internal length	c	532	832	1128 mm
Internal width	d	348	348	343 mm
Depth of tap deck	e	116	116	116 mm
Distance tap holes to edge	f	45	45	45 mm
Distance of tap holes	g	200	200	200 mm
Height of rim	h	14	14	14 mm
Distance basin surface to bottom edge of waste hole	i	112	112	112 mm
Distance rear edge to centre of waste hole	j	290	290	290 mm
Distance of tap holes	v			600 mm
Diameter of control knob hole	w	33	33	33 mm
Distance of tap hole to centre of control knob hole	x ₁	250	275	mm
Distance from centre of control knob hole to outer edge	x ₂			600 mm
Weight of the enamelled washbasin in kg		9,1	12,4	15,9

	Model Order No.	Dimensions mm	EUR
CONO BUILT-IN WASHBASIN with 1 tap hole with easy-clean finish and sound insulation Alpine White, enamelled on both sides without overflow	3080 9016 0601 3001 3081 9017 0601 3001 3082 9018 0601 3001	600 x 500 x 14 900 x 500 x 14 1200 x 500 x 14	
CONO BUILT-IN WASHBASIN with 1 tap hole with control knob hole for CLOU waste and overflow system with cable operated pop-up waste and deck mounted control knob, with easy-clean finish and sound insulation Alpine White, enamelled on both sides without overflow	3080 available on request 3081 available on request 3082 available on request	600 x 500 x 14 900 x 500 x 14 1200 x 500 x 14	
TAP HOLE available without extra charge			
without tap hole	xxx 0600 xxx		
3 tap holes	xxx 0603 xxx		
2 x 1 tap hole for double washbasin (model 3082)*	9018 0604 3001		
2 x 3 tap holes for double washbasin (model 3082)*	9018 0605 3001		
ACCESSORIES (to be ordered separately)			
CLOU waste and overflow system for lever operation square, enamelled cover, alpine white for fittings with lever operation	3901 9054 0000 0001		
or			
CLOU waste and overflow system with cable and chrome plated knob (Bowden cable); square, enamelled cover, alpine white includes extra charge for control knob hole; to be ordered with washbasin with control knob hole.	3903 9056 0000 0001		
or			
Free-flow waste square, enamelled cover, alpine white	3905 9059 0000 0001		
OPTIONAL ACCESSORIES (to be ordered separately)			
Designer bottle trap	3908 9057 0000 0999		
* We recommend using the CLOU waste and overflow system (model 3903) with cable and chrome plated knob (Bowden cable) or the Free-flow waste (model 3905) for the 2 x 1 and 2 x 3 tap holes Check recommended taps for this washbasin in our Style Guide at www.kaldewei.com			

The CONO Built-in Washbasin can be combined with furniture such as from the Aqua, Diago and Echo series by Burgbad.



Furniture available for all CONO Built-in Washbasins

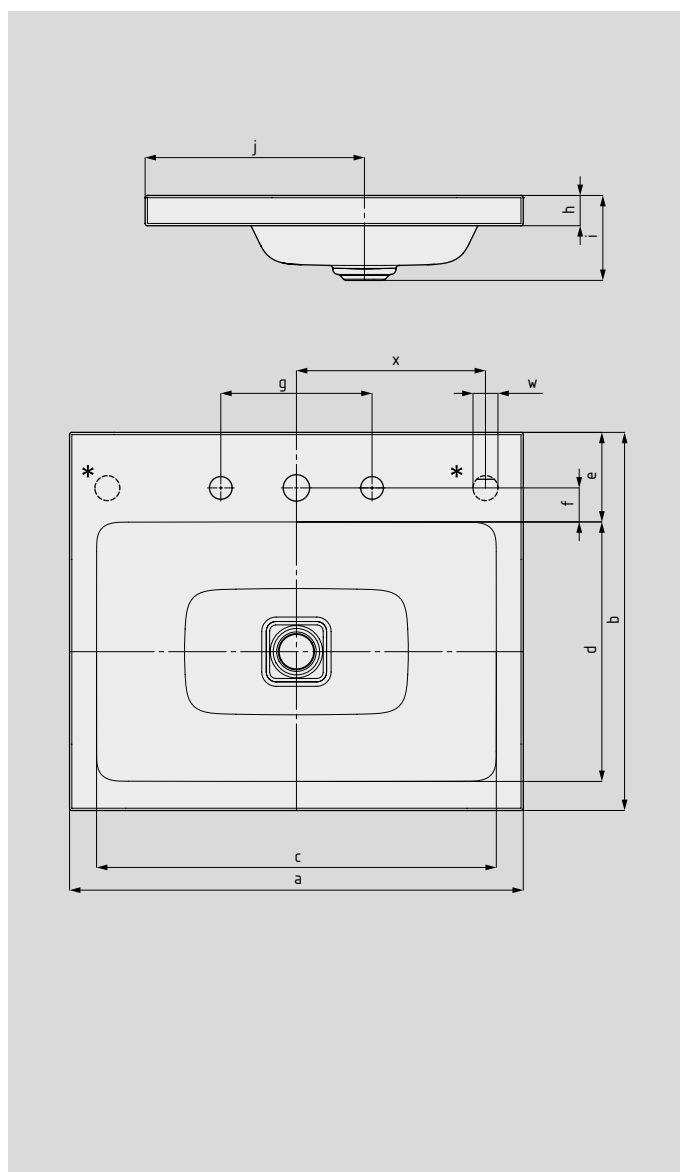
CONO INSET COUNTERTOP WASHBASIN

(HEIGHT OF RIM 40 MM)

- washbasin with premium character exudes elegance and harmony
- optimally integrated enamelled waste accentuates the underlying geometry of the washbasin
- unusually generous rim provides space for fittings or individual accessories
- perfectly complements the CONO range



Similar illustrations



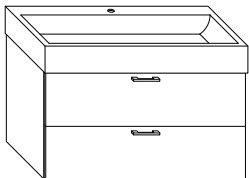
* Control knob holes for CLOU waste and overflow system with cable operated pop-up waste and deck mounted control knob, optionally left or right

Model No.		3083	3084
External length	a	600	900 mm
External width	b	500	500 mm
Internal length	c	532	832 mm
Internal width	d	348	348 mm
Depth of tap deck	e	116	116 mm
Distance tap holes to edge	f	45	45 mm
Distance of tap holes	g	200	200 mm
Height of rim	h	40	40 mm
Distance basin surface to bottom edge of waste hole	i	112	112 mm
Distance rear edge to centre of waste hole	j	290	290 mm
Diameter of control knob hole	w	33	33 mm
Distance of tap hole to centre of control knob hole	x	225	275 mm
Weight of the enamelled washbasin in kg		10,0	13,3

Subject to technical alterations, tolerances and errors. Similar illustrations.

	Model Order No.	Dimensions mm	EUR
CONO INSET COUNTERTOP WASHBASIN with 1 tap hole with easy-clean finish and sound insulation Alpine White, enamelled on both sides without overflow	3083 9019 0601 3001 3084 9020 0601 3001	600 x 500 x 40 900 x 500 x 40	
CONO INSET COUNTERTOP WASHBASIN with 1 tap hole with control knob hole for CLOU waste and overflow system with cable operated pop-up waste and deck mounted control knob, with easy-clean finish and sound insulation Alpine White, enamelled on both sides without overflow	3083 available on request 3084 available on request	600 x 500 x 40 900 x 500 x 40	
TAP HOLE available without extra charge			
without tap hole	xxxx 0600 xxxx		
3 tap holes	xxxx 0603 xxxx		
ACCESSORIES (to be ordered separately)			
CLOU waste and overflow system for lever operation square, enamelled cover, alpine white for fittings with lever operation	3901 9054 0000 0001		
or			
CLOU waste and overflow system with cable and chrome plated knob (Bowden cable); square, enamelled cover, alpine white includes extra charge for control knob hole; to be ordered with washbasin with control knob hole.	3903 9056 0000 0001		
or			
Free-flow waste square, enamelled cover, alpine white	3905 9059 0000 0001		
OPTIONAL ACCESSORIES (to be ordered separately)			
Designer bottle trap	3908 9057 0000 9999		
Check recommended taps for this washbasin in our Style Guide at www.kaldewei.com			

The CONO Inset Countertop Washbasin can be combined with furniture such as from the Aqua, Diago and Echo series by Burgbad.



Furniture available for all
CONO Inset Countertop Washbasins

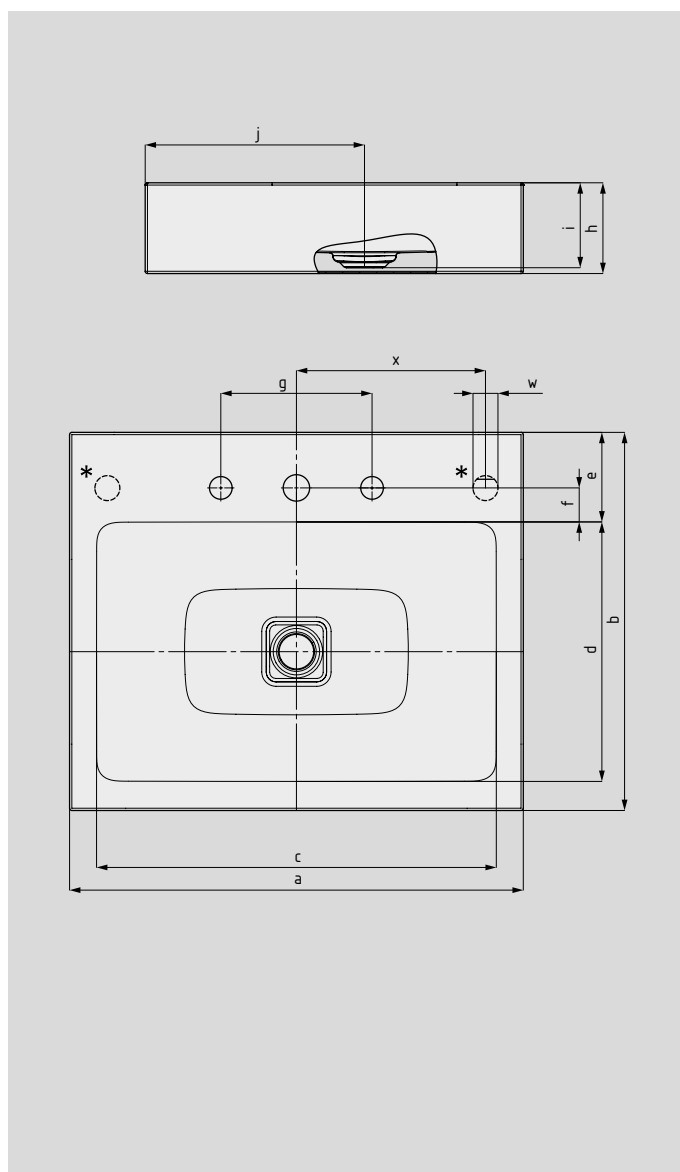
CONO COUNTERTOP WASHBASIN

(HEIGHT OF RIM 120 MM)

- washbasin with premium character exudes elegance and harmony
- optimally integrated enamelled waste accentuates the underlying geometry of the washbasin
- unusually generous rim provides space for fittings or individual accessories
- perfectly complements the CONO range



Similar illustrations



* Control knob holes for CLOU waste and overflow system with cable operated pop-up waste and deck mounted control knob, optionally left or right

Model No.		3085	3086
External length	a	600	900 mm
External width	b	500	500 mm
Internal length	c	532	832 mm
Internal width	d	348	348 mm
Depth of tap deck	e	116	116 mm
Distance tap holes to edge	f	45	45 mm
Distance of tap holes	g	200	200 mm
Height of rim	h	120	120 mm
Distance basin surface to bottom edge of waste hole	i	112	112 mm
Distance rear edge to centre of waste hole	j	290	290 mm
Diameter of control knob hole	w	33	33 mm
Distance of tap hole to centre of control knob hole	x	250	275 mm
Weight of the enamelled washbasin in kg		15,0	19,7

Subject to technical alterations, tolerances and errors. Similar illustrations.

	Model Order No.	Dimensions mm	EUR
CONO COUNTERTOP WASHBASIN with 1 tap hole with easy-clean finish and sound insulation Alpine White, enamelled on both sides without overflow	3085 9021 0601 3001	600 x 500 x 120	
	3086 9022 0601 3001	900 x 500 x 120	
CONO COUNTERTOP WASHBASIN with 1 tap hole with control knob hole for CLOU waste and overflow system with cable operated pop-up waste and deck mounted control knob, with easy-clean finish and sound insulation Alpine White, enamelled on both sides without overflow	3085 available on request	600 x 500 x 120	
	3086 available on request	900 x 500 x 120	
TAP HOLE available without extra charge			
without tap hole	xxxx 0600 xxxx		
3 tap holes	xxxx 0603 xxxx		
ACCESSORIES (to be ordered separately)			
CLOU waste and overflow system for lever operation square, enamelled cover, alpine white for fittings with lever operation	3901 9054 0000 0001		
or			
CLOU waste and overflow system with cable and chrome plated knob (Bowden cable); square, enamelled cover, alpine white includes extra charge for control knob hole; to be ordered with washbasin with control knob hole.	3903 9056 0000 0001		
or			
Free-flow waste square, enamelled cover, alpine white	3905 9059 0000 0001		
OPTIONAL ACCESSORIES (to be ordered separately)			
Designer bottle trap	3908 9057 0000 9999		
Check recommended taps for this washbasin in our Style Guide at www.kaldewei.com			

The CONO Countertop Washbasin can be combined with furniture such as from the Aqua, Diago and Echo series by Burgbad.



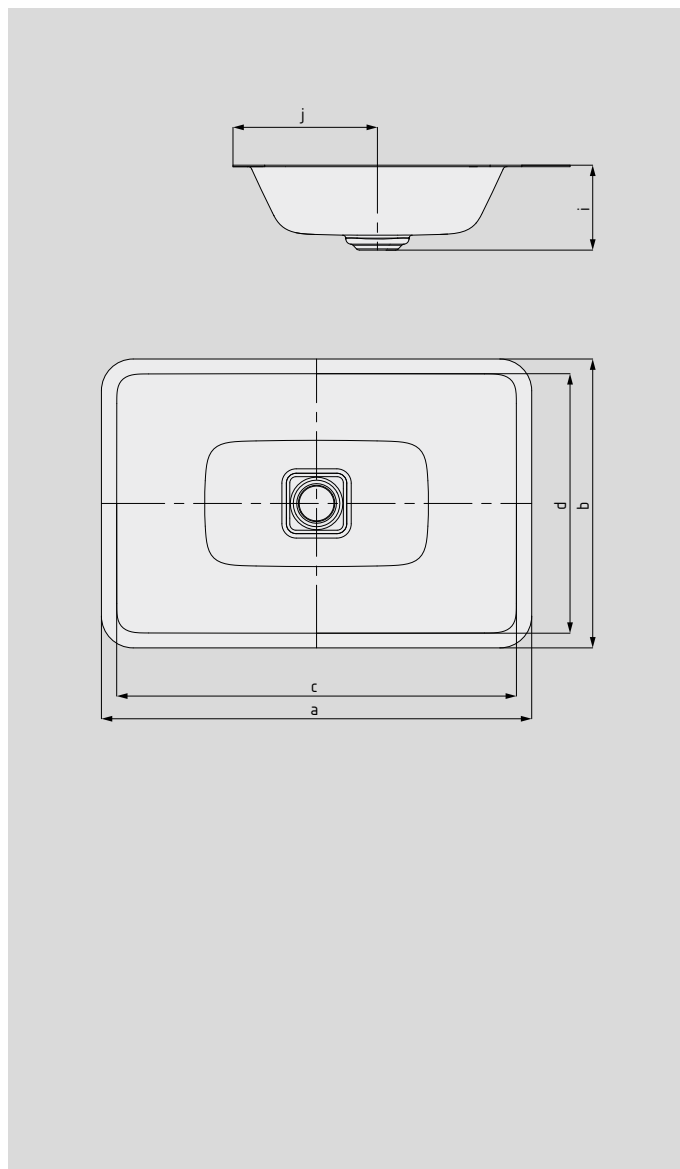
Furniture available for all CONO Countertop Washbasins

CONO UNDERCOUNTER WASHBASIN

- washbasin with premium character exudes elegance and harmony
- optimally integrated enamelled waste accentuates the underlying geometry of the washbasin
- perfectly complements the CONO range



Similar illustrations



Model No.		3087	3088
External length	a	569	869 mm
External width	b	382	382 mm
Internal length	c	532	832 mm
Internal width	d	348	348 mm
Distance basin surface to bottom edge of waste hole	i	112	112 mm
Distance rear edge to centre of waste hole	j	191	191 mm
Weight of the enamelled washbasin in kg		8,4	11,3

Subject to technical alterations, tolerances and errors. Similar illustrations.

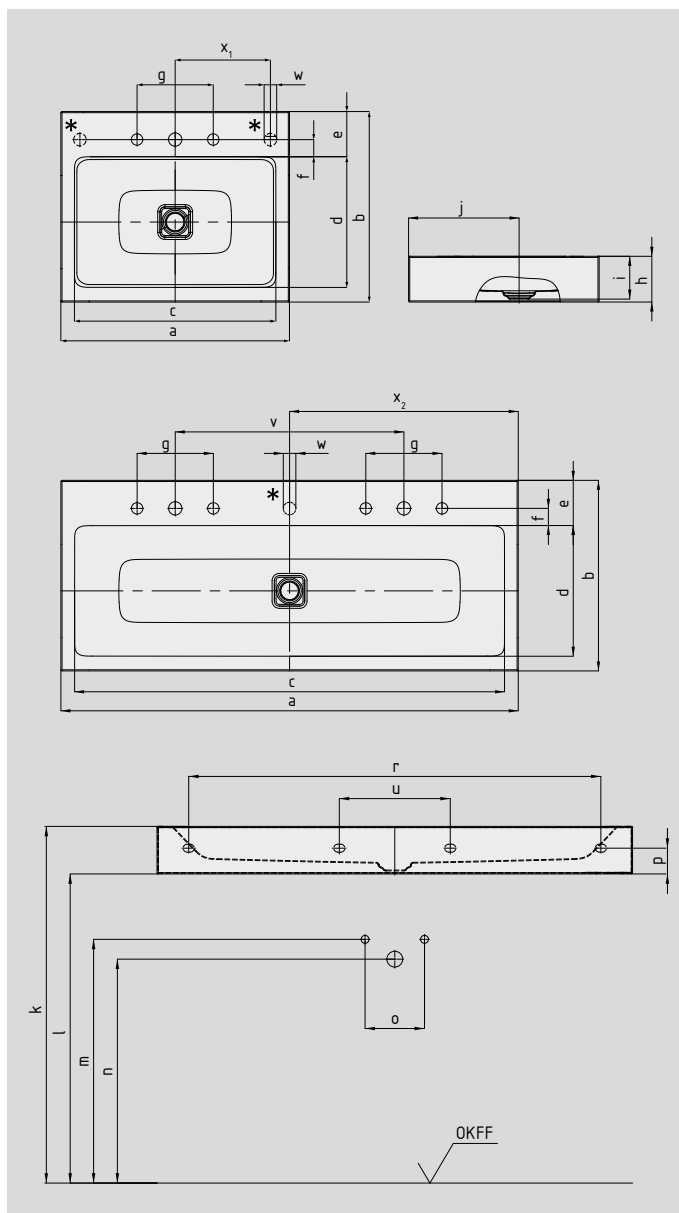
	Model Order No.	Dimensions mm	EUR
CONO UNDERCOUNTER WASHBASIN with easy-clean finish and sound insulation Alpine White, enamelled on both sides without overflow	3087 902306003001 3088 902406003001	569 x 382 869 x 382	
ACCESSORIES (to be ordered separately)			
CLOU waste and overflow system for lever operation square, enamelled cover, alpine white for fittings with lever operation	3901 905400000001		
or			
CLOU waste and overflow system with cable and chrome plated knob (Bowden cable); square, enamelled cover, alpine white includes extra charge for control knob hole; to be ordered with washbasin with control knob hole.	3903 905600000001		
or			
Free-flow waste square, enamelled cover, alpine white	3905 905900000001		
OPTIONAL ACCESSORIES (to be ordered separately)			
Designer bottle trap	3908 905700000999		
Check recommended taps for this washbasin in our Style Guide at www.kaldewei.com			

CONO WALL-HUNG WASHBASIN

- washbasin with premium character exudes elegance and harmony
- optimally integrated enamelled waste accentuates the underlying geometry of the washbasin
- unusually generous rim provides space for fittings or individual accessories
- perfectly complements the CONO range



Similar illustrations



* Control knob holes for CLOU waste and overflow system with cable operated pop-up waste and deck mounted control knob

Model No.		3089	3090	3091
External length	a	600	900	1200 mm
External width	b	500	500	500 mm
Internal length	c	532	832	1128 mm
Internal width	d	348	348	343 mm
Depth of tap deck	e	116	116	116 mm
Distance tap holes to edge	f	45	45	45 mm
Distance of tap holes	g	200	200	200 mm
Height of rim	h	120	120	120 mm
Distance basin surface to bottom edge of waste hole	i	112	112	112 mm
Distance rear edge to centre of waste hole	j	290	290	290 mm
Distance FF*1 to top edge of basin surface	k	820-850	820-850	820-850 mm
Distance FF*1 to bottom edge (washbasin)	l	700-730	700-730	700-730 mm
Distance FF*1 to centre of water inlet	m	570-600	570-600	570-600 mm
Distance FF*1 to centre of drain hole wall connection	n	520-580	520-580	520-580 mm
Distance hot/cold water inlet	o	80-150	80-150	80-150 mm
Distance bottom edge to centre of fixing hole	p	65	65	65 mm
Outer distance of fixing holes*2	r		780	1040 mm
Inner distance of fixing holes*2	u	280	280	280 mm
Distance of tap holes	v	-	-	600 mm
Diameter of control knob hole	w	33	33	33 mm
Distance of tap hole to centre of control knob hole	x ₁	250	275	mm
Distance from centre of control knob hole to outer edge	x ₂			600 mm
Weight of the enamelled washbasin in kg		15,0	19,7	24,8

*1 Finished floor level.

*2 Check the recommended number of fixing holes before purchasing the fittings (varies depending on size of washbasin). Subject to technical alterations, tolerances and errors. Similar illustrations.

	Model Order No.	Dimensions mm	EUR
CONO WALL-HUNG WASHBASIN with 1 tap hole with easy-clean finish and sound insulation Alpine White, enamelled on both sides without overflow	3089 9025 0601 3001 3090 9026 0601 3001 3091 9027 0601 3001	600 x 500 x 120 900 x 500 x 120 1200 x 500 x 120	
CONO WALL-HUNG WASHBASIN with 1 tap hole with control knob hole for CLOU waste and overflow system with cable operated pop-up waste and deck mounted control knob, with easy-clean finish and sound insulation Alpine White, enamelled on both sides without overflow	3089 available on request 3090 available on request 3091 available on request	600 x 500 x 120 900 x 500 x 120 1200 x 500 x 120	
TAP HOLE available without extra charge			
without tap hole	xxxx 0600 xxxx		
3 tap holes	xxxx 0603 xxxx		
2 x 1 tap hole for double washbasin (model 3091)*	9027 0604 3001		
2 x 3 tap holes for double washbasin (model 3091)*	9027 0605 3001		
ACCESSORIES (to be ordered separately)			
CLOU waste and overflow system for lever operation square, enamelled cover, alpine white for fittings with lever operation	3901 9054 0000 0001		
or			
CLOU waste and overflow system with cable and chrome plated knob (Bowden cable); square, enamelled cover, alpine white includes extra charge for control knob hole; to be ordered with washbasin with control knob hole.	3903 9056 0000 0001		
or			
Free-flow waste square, enamelled cover, alpine white	3905 9059 0000 0001		
OPTIONAL ACCESSORIES (to be ordered separately)			
Designer bottle trap	3908 9057 0000 0999		
* We recommend using the CLOU waste and overflow system (model 3903) with cable and chrome plated knob (Bowden cable) or the Free-flow waste (model 3905) for the 2 x 1 and 2 x 3 tap holes Check recommended taps for this washbasin in our Style Guide at www.kaldewei.com			

The CONO Wall-Hung Washbasin can be combined with furniture such as from the Aqua, Diago and Echo series by Burgbad.



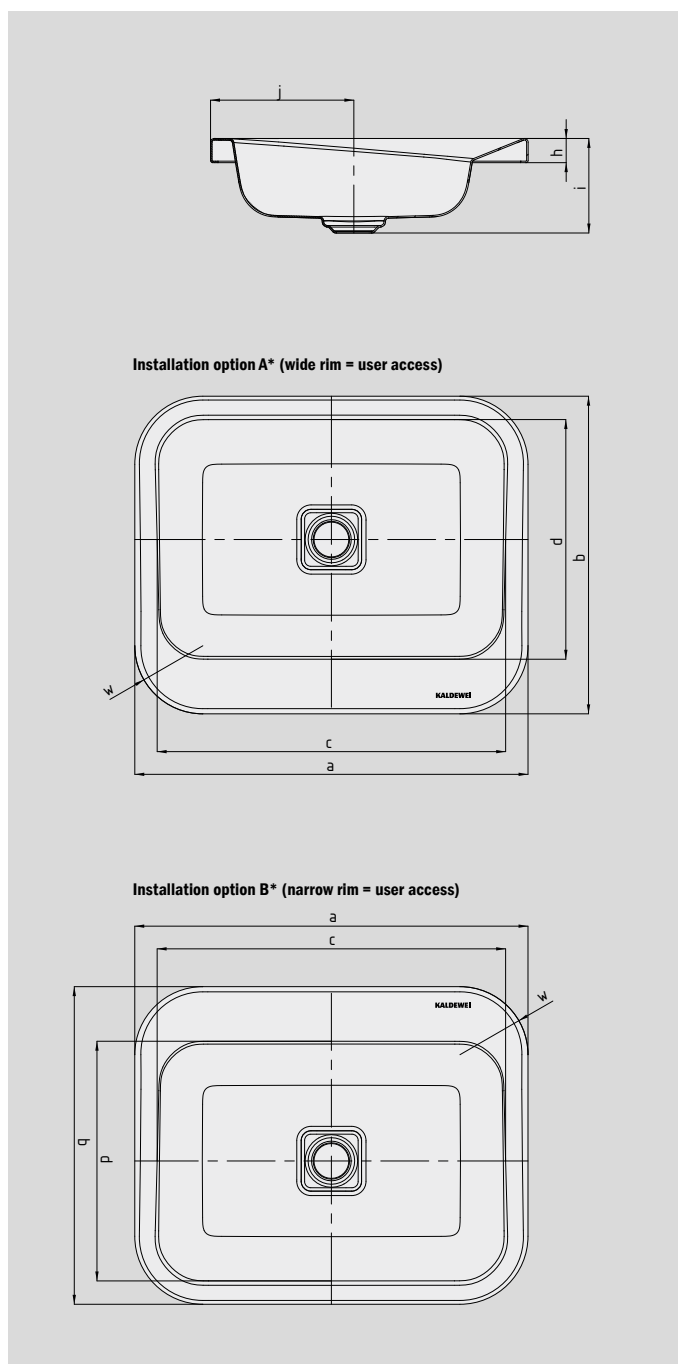
Furniture available for all CONO Wall-Hung Washbasins

EMERSO BUILT-IN WASHBASIN

- sculpture of perfect harmony
- inverse design of the rim underlines the subtle and harmonious effect
- flush-fitting waste reinforces the impression of a fluid shape
- pure freedom – centrally-placed waste allows use from any side
- matches the Meisterstück EMERSO bath
- designed by Arik Levy



Similar illustrations



* Pure freedom – the centrally-placed waste allows a choice of washbasin positions for installation. Choose your preferred front side from the above installation options.

Model No.		3021	3022
External length	a	520	720 mm
External width	b	420	420 mm
Internal length	c	461	661 mm
Internal width	d	323	323 mm
Height of rim	h	32	32 mm
Distance basin surface to bottom edge of waste hole	i	125	125 mm
Distance rear edge to centre of waste hole	j	189,5	189,5 mm
Radius of washbasin corner	w	90	90 mm
Weight of the enamelled washbasin in kg		9,6	12,6

Subject to technical alterations, tolerances and errors. Similar illustrations.

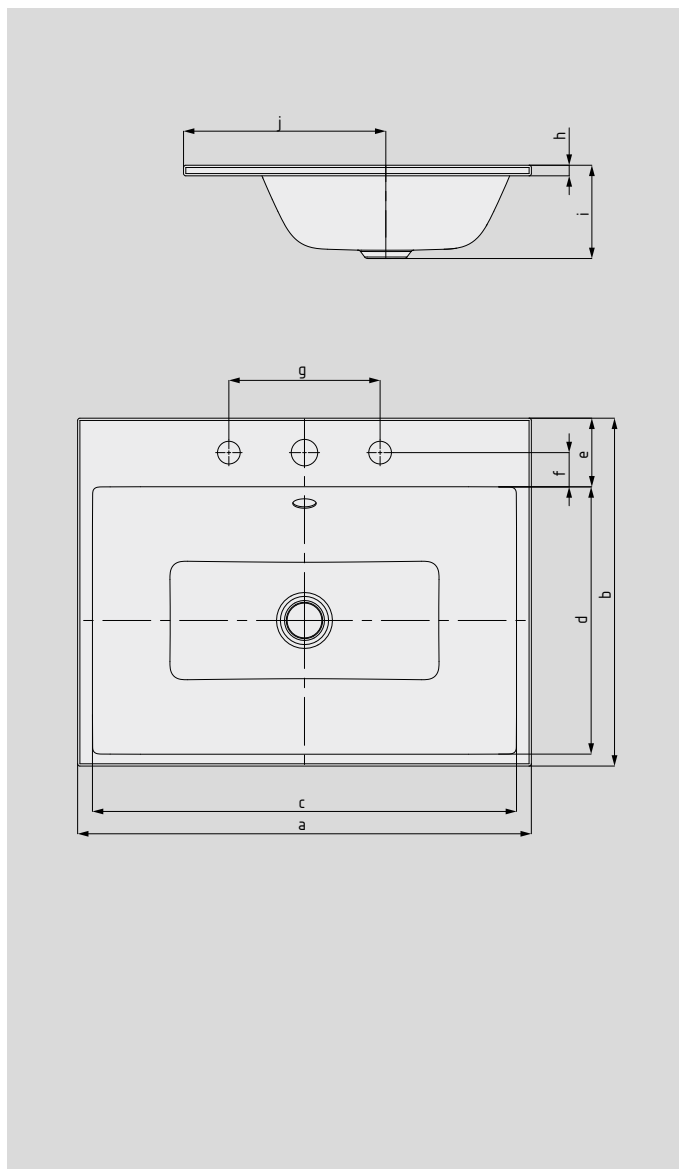
	Model Order No.	Dimensions mm	EUR
INSTALLATION OPTION A			
EMERSO BUILT-IN WASHBASIN with easy-clean finish and sound insulation Alpine White, enamelled on both sides without overflow	3021 904606003001	520 x 420 x 32	
	3022 904706003001	720 x 420 x 32	
INSTALLATION OPTION B			
EMERSO BUILT-IN WASHBASIN with easy-clean finish and sound insulation Alpine White, enamelled on both sides without overflow	3021 904606023001	520 x 420 x 32	
	3022 904706023001	720 x 420 x 32	
ACCESSORIES (to be ordered separately)			
CLOU waste and overflow system for lever operation square, enamelled cover, alpine white for fittings with lever operation Suitable only for installation version B	3901 905400000001		
or			
Free-flow waste square, enamelled cover, alpine white Suitable only for installation versions A and B	3905 905900000001		
OPTIONAL ACCESSORIES (to be ordered separately)			
Designer bottle trap	3908 905700000999		
Check recommended taps for this washbasin in our Style Guide at www.kaldewei.com			

PURO BUILT-IN WASHBASIN

- elegant rectangular washbasin in a classically minimalist design
- reduced precise edges
- very generous interior dimensions
- clean and timeless lines – immortalised in long-lasting KALDEWEI steel enamel
- harmonises perfectly with the PURO bath series
- designed by Anke Salomon



Similar illustrations

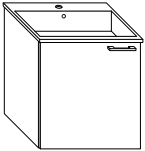


Model No.		3150	3151	3152
External length	a	460	600	900 mm
External width	b	460	460	460 mm
Internal length	c	421	561	860 mm
Internal width	d	354	354	354 mm
Depth of tap deck	e	90,5	90,5	90,5 mm
Distance tap holes to edge	f	45	45	45 mm
Distance of tap holes	g	200	200	200 mm
Height of rim	h	14	14	14 mm
Distance basin surface to bottom edge of waste hole	i	115	125	125 mm
Distance rear edge to centre of waste hole	j	267,5	267,5	267,5 mm
Weight of the enamelled washbasin in kg		5,5	6,7	9,8

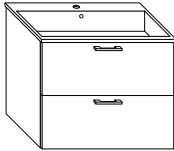
Subject to technical alterations, tolerances and errors. Similar illustrations.

	Model Order No.	Dimensions mm	EUR
PURO BUILT-IN WASHBASIN with 1 tap hole with easy-clean finish and sound insulation Alpine White, enamelled on both sides with overflow	3150 9000 0601 3001	460 x 460 x 14	
	3151 9001 0601 3001	600 x 460 x 14	
	3152 9002 0601 3001	900 x 460 x 14	
TAP HOLE available without extra charge			
without tap hole	xxx 0600 xxx		
3 tap holes	xxx 0603 xxx		
OPTIONAL ACCESSORIES (to be ordered separately)			
Push-to-Open waste with chrome cover	3907 9051 0000 999		
Designer bottle trap	3908 9057 0000 999		
A standard stem valve may be used alternatively. Check recommended taps for this washbasin in our Style Guide at www.kaldewei.com			

The PURO Built-in Washbasin can be combined with furniture such as from the Aqua, Diago and Echo series by Burgbad.



Furniture available for
PURO Built-in Washbasin
Model 3150



Furniture available for
PURO Built-in Washbasin
Models 3151 and 3152

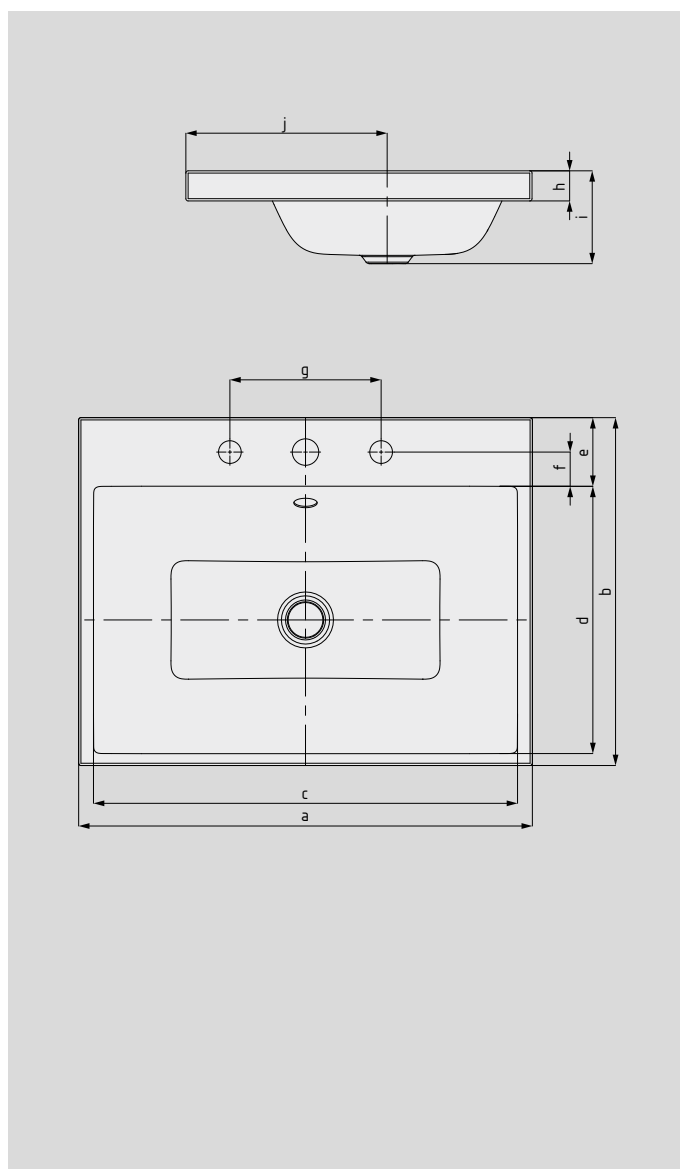
PURO INSET COUNTERTOP WASHBASIN

(HEIGHT OF RIM 40 MM)

- elegant rectangular washbasin in a classically minimalist design
- reduced precise edges
- very generous interior dimensions
- clean and timeless lines – immortalised in long-lasting KALDEWEI steel enamel
- harmonises perfectly with the PURO bath series
- designed by Anke Salomon



Similar illustrations

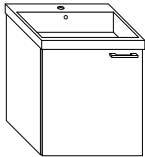


Model No.		3153	3154	3155
External length	a	460	600	900 mm
External width	b	460	460	460 mm
Internal length	c	421	561	860 mm
Internal width	d	354	354	354 mm
Depth of tap deck	e	90,5	90,5	90,5 mm
Distance tap holes to edge	f	45	45	45 mm
Distance of tap holes	g	200	200	200 mm
Height of rim	h	40	40	40 mm
Distance basin surface to bottom edge of waste hole	i	115	125	125 mm
Distance rear edge to centre of waste hole	j	267,5	267,5	267,5 mm
Weight of the enamelled washbasin in kg		6,4	7,6	10,7

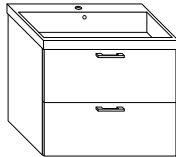
Subject to technical alterations, tolerances and errors. Similar illustrations.

	Model Order No.	Dimensions mm	EUR
PURO INSET COUNTERTOP WASHBASIN with 1 tap hole with easy-clean finish and sound insulation Alpine White, enamelled on both sides with overflow	3153 9003 0601 3001	460 x 460 x 40	
	3154 9004 0601 3001	600 x 460 x 40	
	3155 9005 0601 3001	900 x 460 x 40	
TAP HOLE available without extra charge			
without tap hole	xxx 0600 xxx		
3 tap holes	xxx 0603 xxx		
OPTIONAL ACCESSORIES (to be ordered separately)			
Push-to-Open waste with chrome cover	3907 9051 0000 999		
Designer bottle trap	3908 9057 0000 999		
A standard stem valve may be used alternatively. Check recommended taps for this washbasin in our Style Guide at www.kaldewei.com			

The PURO Inset Countertop Washbasin can be combined with furniture such as from the Aqua, Diago and Echo series by Burgbad.



Furniture available for
PURO Inset Countertop
Washbasin Model 3153



Furniture available for
PURO Inset Countertop
Washbasin Models 3154 and 3155

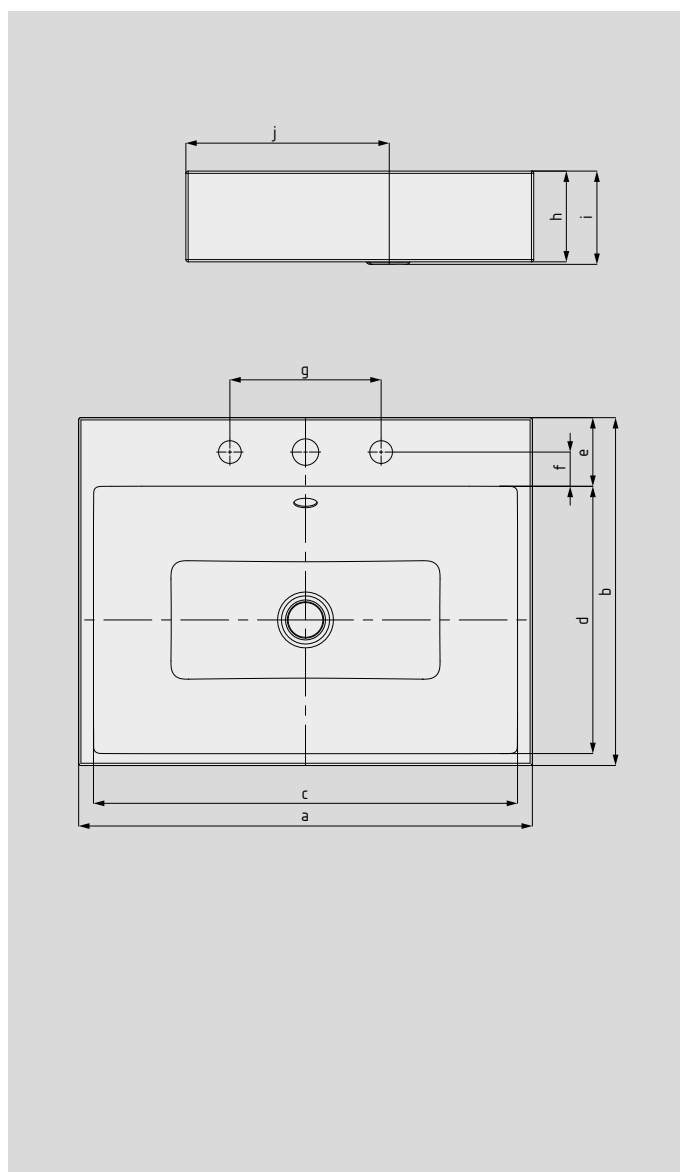
PURO COUNTERTOP WASHBASIN

(HEIGHT OF RIM 120 MM)

- elegant rectangular washbasin in a classically minimalist design
- reduced precise edges
- very generous interior dimensions
- clean and timeless lines – immortalised in long-lasting KALDEWEI steel enamel
- harmonises perfectly with the PURO bath series
- designed by Anke Salomon



Similar illustrations

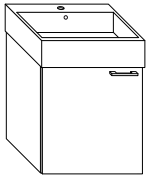


Model No.		3156	3157	3158
External length	a	460	600	900 mm
External width	b	460	460	460 mm
Internal length	c	421	561	860 mm
Internal width	d	354	354	354 mm
Depth of tap deck	e	90,5	90,5	90,5 mm
Distance tap holes to edge	f	45	45	45 mm
Distance of tap holes	g	200	200	200 mm
Height of rim	h	120	120	120 mm
Distance basin surface to bottom edge of waste hole	i	115	125	125 mm
Distance rear edge to centre of waste hole	j	267,5	267,5	267,5 mm
Weight of the enamelled washbasin in kg		10,6	12,7	17,1

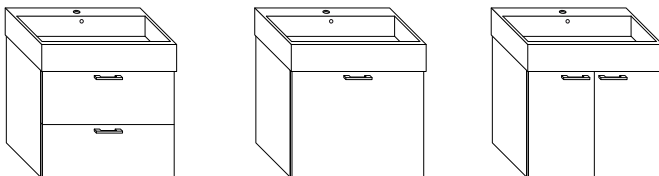
Subject to technical alterations, tolerances and errors. Similar illustrations.

	Model Order No.	Dimensions mm	EUR
PURO COUNTERTOP WASHBASIN with 1 tap hole with easy-clean finish and sound insulation Alpine White, enamelled on both sides with overflow	3156 9006 0601 3001	460 x 460 x 120	
	3157 9007 0601 3001	600 x 460 x 120	
	3158 9008 0601 3001	900 x 460 x 120	
TAP HOLE available without extra charge			
without tap hole	xxx 0600 xxx		
3 tap holes	xxx 0603 xxx		
OPTIONAL ACCESSORIES (to be ordered separately)			
Push-to-Open waste with chrome cover	3907 9051 0000 999		
Designer bottle trap	3908 9057 0000 999		
A standard stem valve may be used alternatively. Check recommended taps for this washbasin in our Style Guide at www.kaldewei.com			

The PURO Countertop Washbasin can be combined with furniture such as from the Aqua, Diago and Echo series by Burgbad.



Furniture available for PURO Countertop Washbasin Model 3156



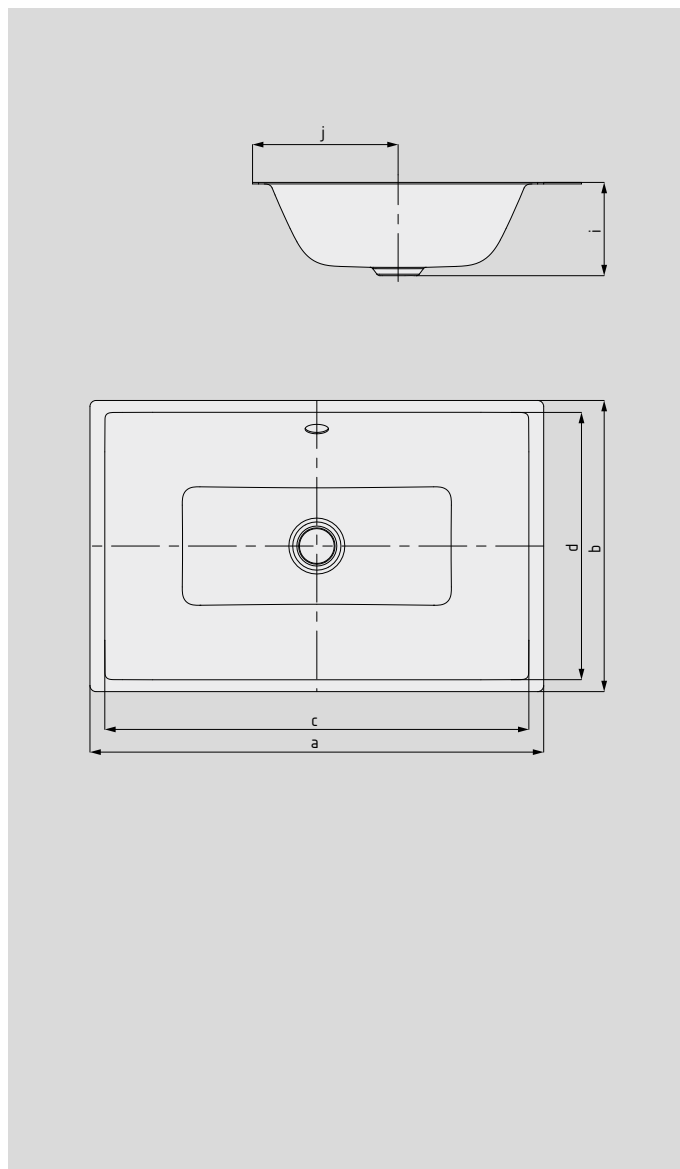
Furniture available for PURO Countertop Washbasin Model 3157 and 3158

PURO UNDERCOUNTER WASHBASIN

- elegant rectangular washbasin in a classically minimalist design
- reduced precise edges
- very generous interior dimensions
- clean and timeless lines – immortalised in long-lasting KALDEWEI steel enamel
- harmonises perfectly with the PURO bath series
- designed by Anke Salomon



Similar illustrations



Model No.		3159	3160	3161
External length	a	460	600	900 mm
External width	b	385	385	385 mm
Internal length	c	421	561	860 mm
Internal width	d	354	354	354 mm
Distance basin surface to bottom edge of waste hole	i	115	125	125 mm
Distance rear edge to centre of waste hole	j	192,5	192,5	192,5 mm
Weight of the enamelled washbasin in kg		4,6	5,8	8,9

Subject to technical alterations, tolerances and errors. Similar illustrations.

	Model Order No.	Dimensions mm	EUR
PURO UNDERCOUNTER WASHBASIN with easy-clean finish and sound insulation Alpine White, enamelled on both sides with overflow	3159 9009 0600 3001	460 x 385	
	3160 9010 0600 3001	600 x 385	
	3161 9011 0600 3001	900 x 385	
OPTIONAL ACCESSORIES (to be ordered separately)			
Push-to-Open waste with chrome cover	3907 9051 0000 0999		
Designer bottle trap	3908 9057 0000 0999		
A standard stem valve may be used alternatively. Check recommended taps for this washbasin in our Style Guide at www.kaldewei.com			

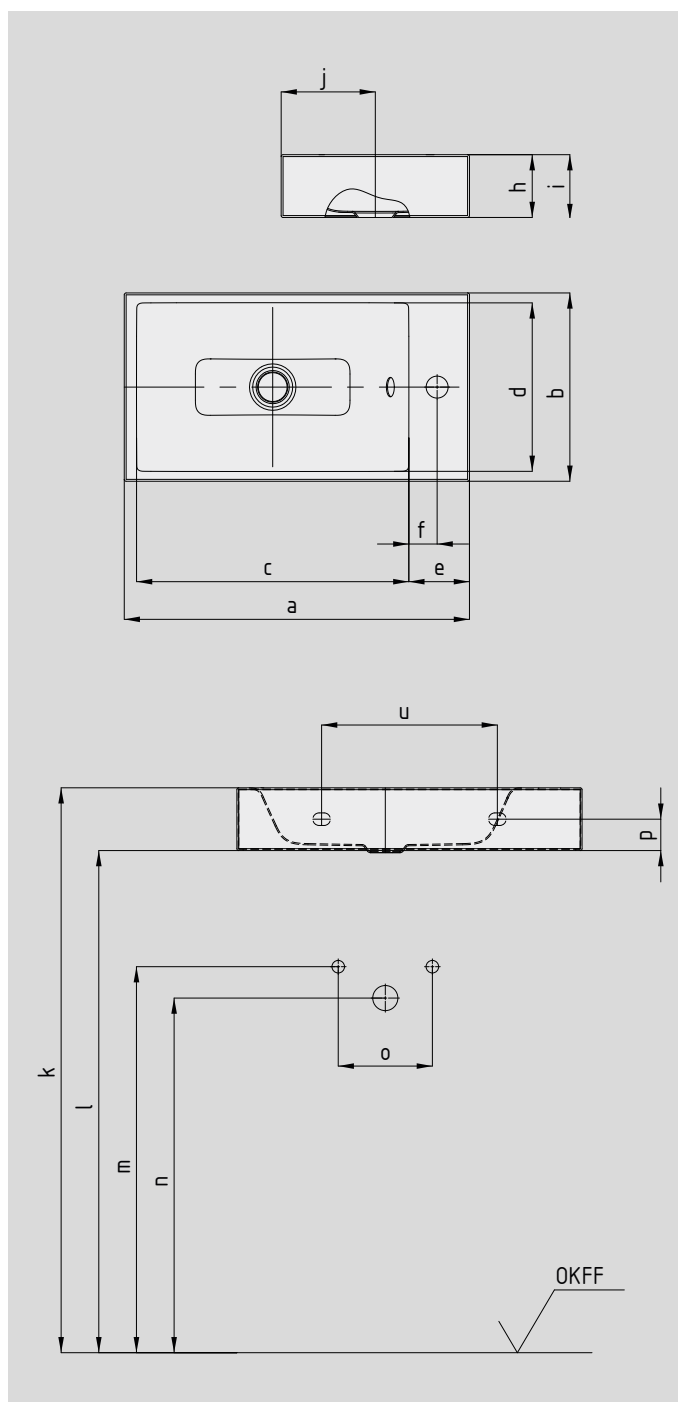


PURO HANDRINSE WASHBASIN

- elegant rectangular washbasin in a classically minimalist design
- reduced precise edges
- very generous interior dimensions
- clean and timeless lines – immortalised in long-lasting KALDEWEI steel enamel
- harmonises perfectly with the PURO bath series
- designed by Anke Salomon



Similar illustrations



Model No.		3162
External length	a	550 mm
External width	b	300 mm
Internal length	c	434 mm
Internal width	d	269 mm
Depth of tap deck	e	96,5 mm
Distance tap holes to edge	f	45 mm
Distance of tap holes	g	200 mm
Height of rim	h	100 mm
Distance basin surface to bottom edge of waste hole	i	105 mm
Distance rear edge to centre of waste hole	j	150 mm
Distance FF*1 to top edge of basin surface	k	820-850 mm
Distance FF*1 to bottom edge (washbasin)	l	700-730 mm
Distance FF*1 to centre of water inlet	m	570-600 mm
Distance FF*1 to centre of drain hole wall connection	n	520-580 mm
Distance hot/cold water inlet	o	80-150 mm
Distance bottom edge to centre of fixing hole	p	55 mm
Inner distance of fixing holes*2	u	280 mm
Weight of the enamelled washbasin in kg		10,2

*1 Finished floor level.

*2 Check the recommended number of fixing holes before purchasing the fittings (varies depending on size of washbasin). Subject to technical alterations, tolerances and errors. Similar illustrations.

	Model Order No.	Dimensions mm	EUR
PURO HANDRINSE WASHBASIN with 1 tap hole with easy-clean finish and sound insulation Alpine White, enamelled on both sides with overflow	3162 9012 0601 3001	550 x 300 x 100	
TAP HOLE available without extra charge			
without tap hole	xxxx 0600 xxxx		
3 tap holes	xxxx 0603 xxxx		
OPTIONAL ACCESSORIES (to be ordered separately)			
Push-to-Open waste with chrome cover	3907 9051 0000 0999		
Designer bottle trap	3908 9057 0000 0999		
A standard stem valve may be used alternatively. Check recommended taps for this washbasin in our Style Guide at www.kaldewei.com			

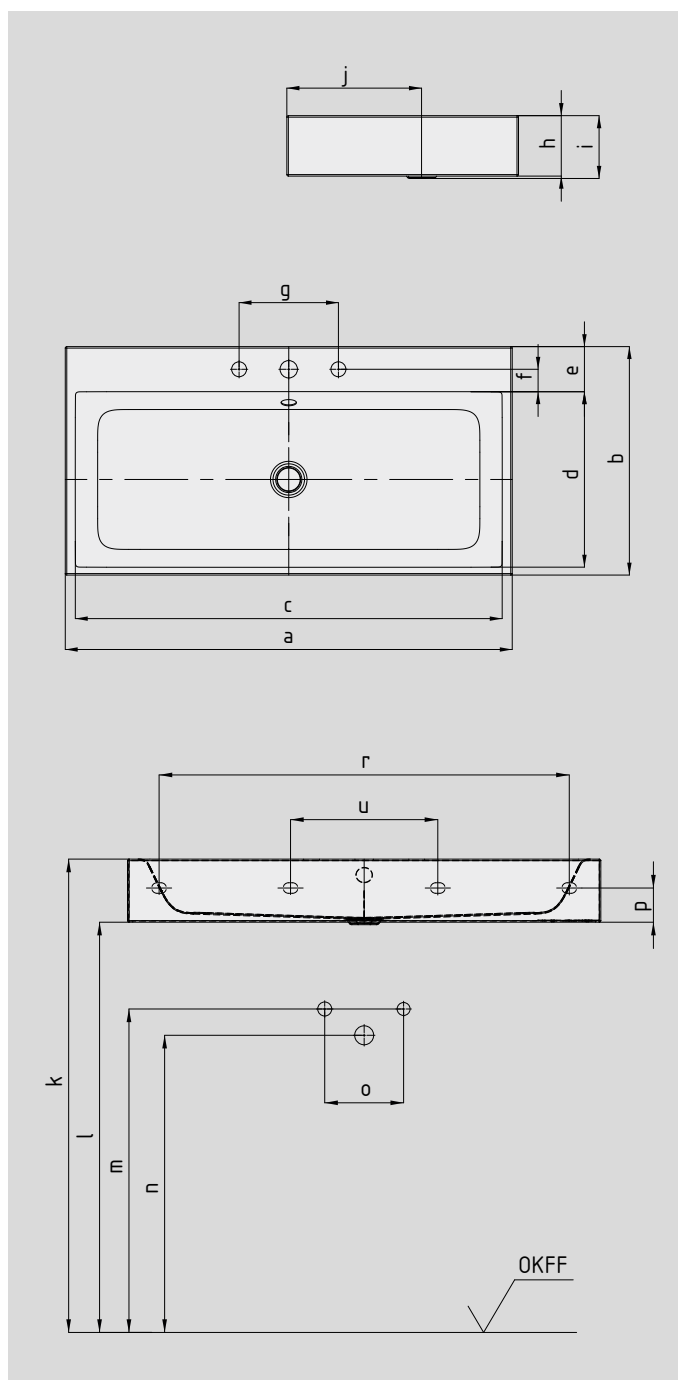


PURO WALL-HUNG WASHBASIN

- elegant rectangular washbasin in a classically minimalist design
- reduced precise edges
- very generous interior dimensions
- clean and timeless lines – immortalised in long-lasting KALDEWEI steel enamel
- harmonises perfectly with the PURO bath series
- designed by Anke Salomon



Similar illustrations



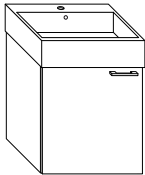
Model No.		3163	3164	3165
External length	a	460	600	900 mm
External width	b	460	460	460 mm
Internal length	c	420	560	860 mm
Internal width	d	345	345	345 mm
Depth of tap deck	e	90,5	90,5	90,5 mm
Distance tap holes to edge	f	45	45	45 mm
Distance of tap holes	g	200	200	200 mm
Height of rim	h	120	120	120 mm
Distance basin surface to bottom edge of waste hole	i	115	125	125 mm
Distance rear edge to centre of waste hole	j	267,5	267,5	267,5 mm
Distance FF*1 to top edge of basin surface	k	820-850	820-850	820-850 mm
Distance FF*1 to bottom edge (washbasin)	l	700-730	700-730	700-730 mm
Distance FF*1 to centre of water inlet	m	570-600	570-600	570-600 mm
Distance FF*1 to centre of drain hole wall connection	n	520-580	520-580	520-580 mm
Distance hot/cold water inlet	o	80-150	80-150	80-150 mm
Distance bottom edge to centre of fixing hole	p	65	65	65 mm
Outer distance of fixing holes*2	r		520	780 mm
Inner distance of fixing holes*2	u	280	280	280 mm
Weight of the enamelled washbasin in kg		10,6	12,6	17,1

*1 Finished floor level.

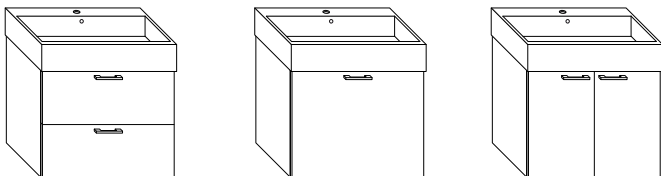
*2 Check the recommended number of fixing holes before purchasing the fittings (varies depending on size of washbasin). Subject to technical alterations, tolerances and errors. Similar illustrations.

	Model Order No.	Dimensions mm	EUR
PURO WALL-HUNG WASHBASIN with 1 tap hole with easy-clean finish and sound insulation Alpine White, enamelled on both sides with overflow	3163 9013 0601 3001	460 x 460 x 120	
	3164 9014 0601 3001	600 x 460 x 120	
	3165 9015 0601 3001	900 x 460 x 120	
TAP HOLE available without extra charge			
without tap hole	xxx 0600 xxx		
3 tap holes	xxx 0603 xxx		
OPTIONAL ACCESSORIES (to be ordered separately)			
Push-to-Open waste with chrome cover	3907 9051 0000 999		
Designer bottle trap	3908 9057 0000 999		
A standard stem valve may be used alternatively. Check recommended taps for this washbasin in our Style Guide at www.kaldewei.com			

The PURO Wall-Hung Washbasin can be combined with furniture such as from the Aqua, Diago and Echo series by Burgbad.



Furniture available for PURO Wall-Hung Washbasin Model 3163



Furniture available for PURO Wall-Hung Washbasin Models 3164 and 3165

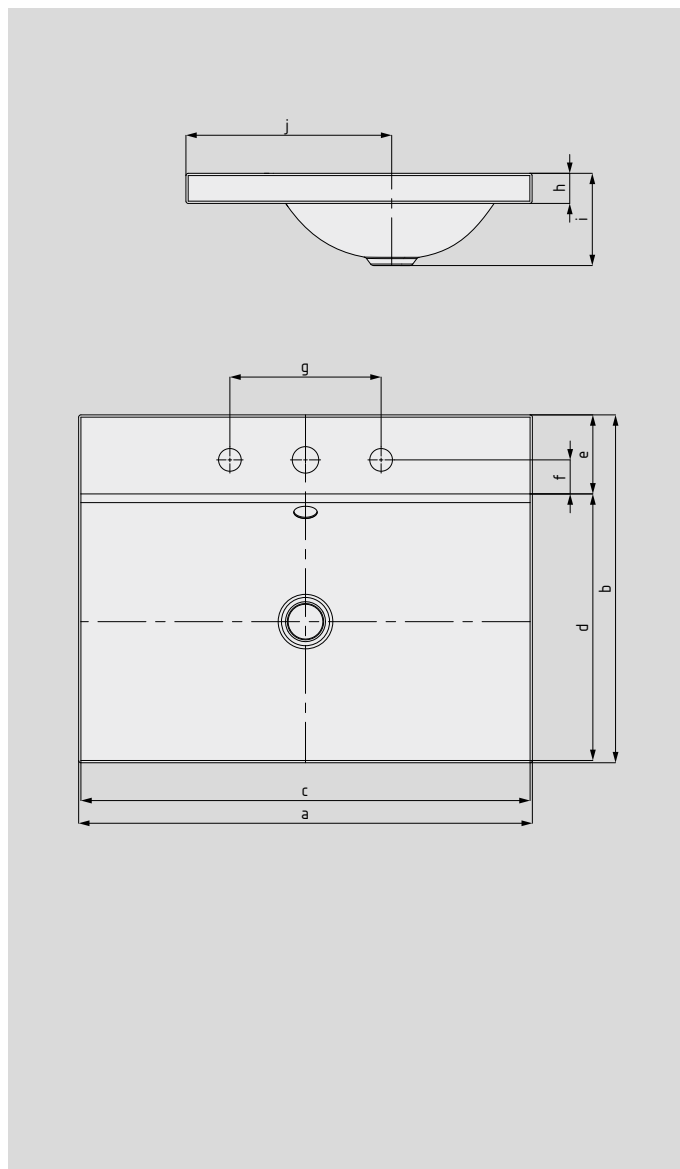
SILENIO INSET COUNTERTOP WASHBASIN

(HEIGHT OF RIM 40 MM)

- fluid and sensually modern design all at once
- optimum comfort through generous dimensioning of the washbasin
- soft, organic interior shape
- geometry allows fittings with short spout leaving ample space for washing
- together with the SILENIO bath and SCONA shower surface, they form a perfect bathroom fitted out entirely with steel enamel
- designed by Anke Salomon



Similar illustrations

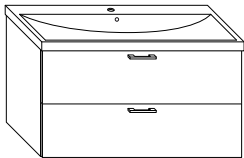


Model No.		3040	3041
External length	a	600	900 mm
External width	b	460	460 mm
Internal length	c	594	894 mm
Internal width	d	352,5	352,5 mm
Depth of tap deck	e	104,5	104,5 mm
Distance tap holes to edge	f	45	45 mm
Distance of tap holes	g	200	200 mm
Height of rim	h	40	40 mm
Distance basin surface to bottom edge of waste hole	i	123	123 mm
Distance rear edge to centre of waste hole	j	273,4	273,4 mm
Weight of the enamelled washbasin in kg		7,6	10,7

Subject to technical alterations, tolerances and errors. Similar illustrations.

	Model Order No.	Dimensions mm	EUR
SILENIO INSET COUNTERTOP WASHBASIN with 1 tap hole with easy-clean finish and sound insulation Alpine White, enamelled on both sides with overflow	3040 9039 0601 3001 3041 9040 0601 3001	600 x 460 x 40 900 x 460 x 40	
TAP HOLE available without extra charge			
without tap hole	xxxx 0600 xxxx		
3 tap holes	xxxx 0603 xxxx		
OPTIONAL ACCESSORIES (to be ordered separately)			
Push-to-Open waste with chrome cover	3907 9051 0000 0999		
Designer bottle trap	3908 9057 0000 0999		
A standard stem valve may be used alternatively. Check recommended taps for this washbasin in our Style Guide at www.kaldewei.com			

The SILENIO Inset Countertop Washbasin can be combined with furniture such as from the Aqua, Diago and Echo series by Burgbad.



Furniture available for SILENIO Inset Countertop Washbasin Models 3040 and 3041

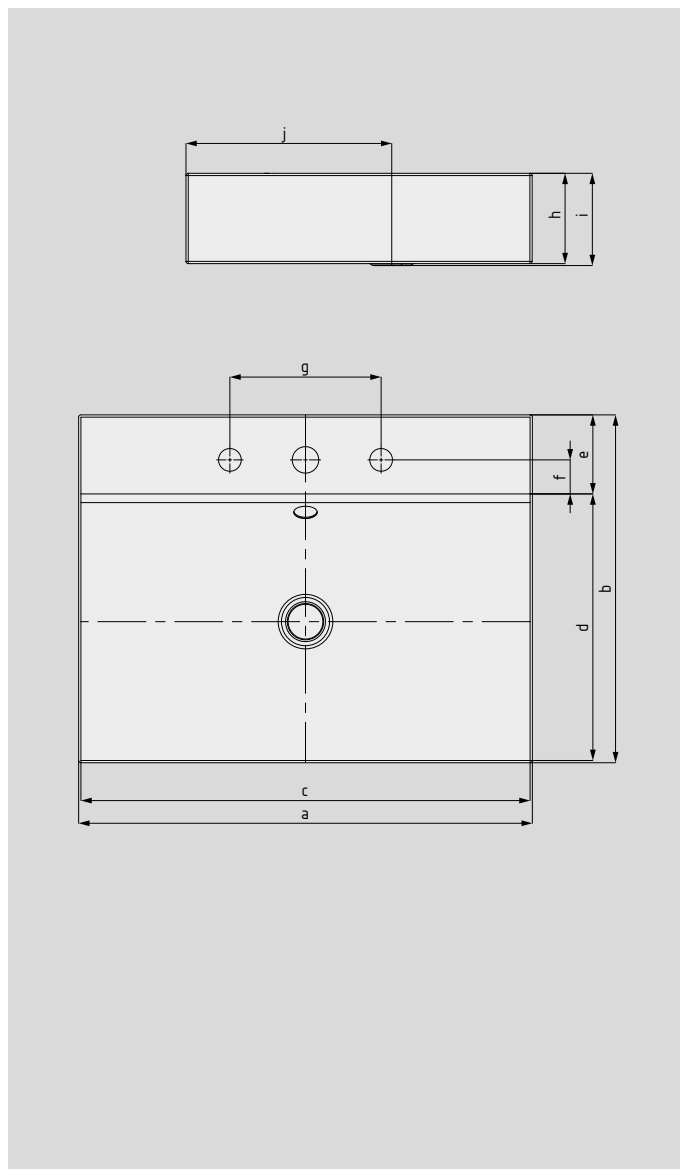
SILENIO COUNTERTOP WASHBASIN

(HEIGHT OF RIM 120 MM)

- fluid and sensually modern design all at once
- optimum comfort through generous dimensioning of the washbasin
- soft, organic interior shape
- geometry allows fittings with short spout leaving ample space for washing
- together with the SILENIO bath and SCONA shower surface, they form a perfect bathroom fitted out entirely with steel enamel
- designed by Anke Salomon



Similar illustrations

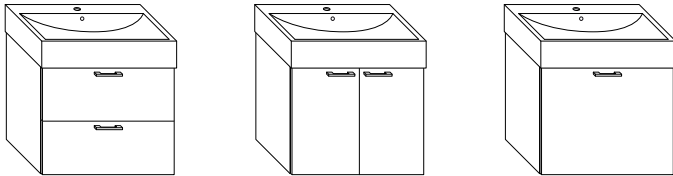


Model No.		3042	3043
External length	a	600	900 mm
External width	b	460	460 mm
Internal length	c	594	894 mm
Internal width	d	352,5	352,5 mm
Depth of tap deck	e	104,5	104,5 mm
Distance tap holes to edge	f	45	45 mm
Distance of tap holes	g	200	200 mm
Height of rim	h	120	120 mm
Distance basin surface to bottom edge of waste hole	i	123	123 mm
Distance rear edge to centre of waste hole	j	273,4	273,4 mm
Weight of the enamelled washbasin in kg		12,7	17,1

Subject to technical alterations, tolerances and errors. Similar illustrations.

	Model Order No.	Dimensions mm	EUR
SILENIO COUNTERTOP WASHBASIN with 1 tap hole with easy-clean finish and sound insulation Alpine White, enamelled on both sides with overflow	3042 9041 0601 3001 3043 9042 0601 3001	600 x 460 x 120 900 x 460 x 120	
TAP HOLE available without extra charge			
without tap hole	xxx 0600 xxx		
3 tap holes	xxx 0603 xxx		
OPTIONAL ACCESSORIES (to be ordered separately)			
Push-to-Open waste with chrome cover	3907 9051 0000 999		
Designer bottle trap	3908 9057 0000 999		
A standard stem valve may be used alternatively. Check recommended taps for this washbasin in our Style Guide at www.kaldewei.com			

The SILENIO Countertop Washbasin can be combined with furniture such as from the Aqua, Diago and Echo series by Burgbad.



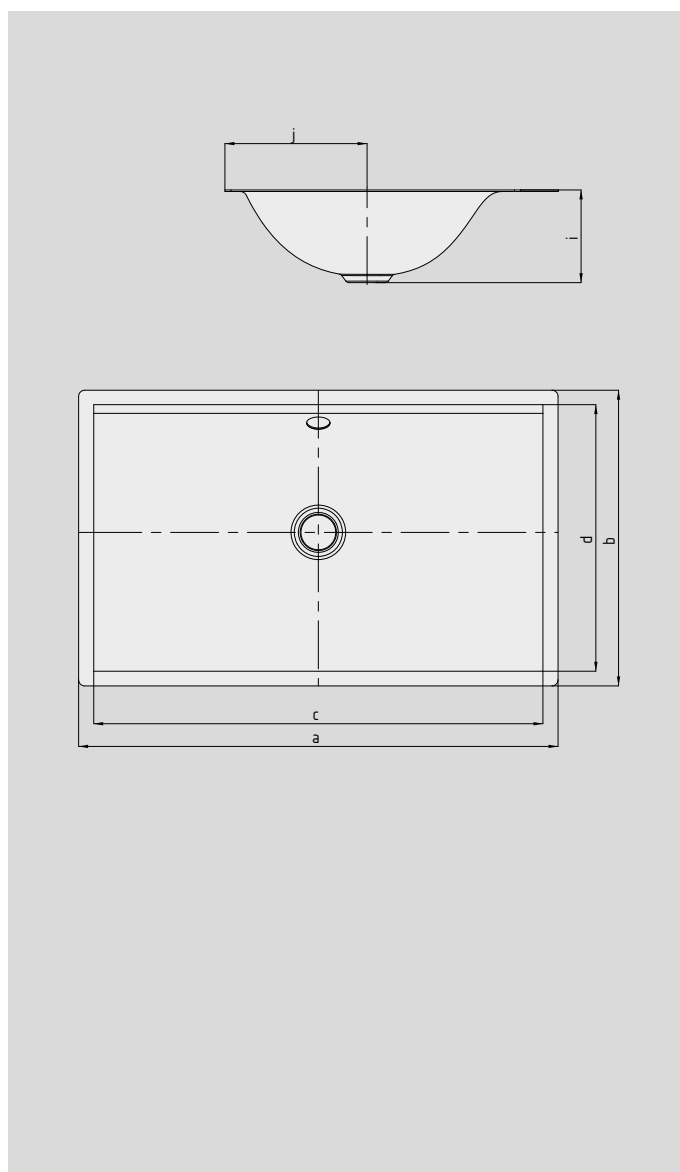
Furniture available for SILENIO Countertop Washbasin Models 3042 and 3043

SILENIO UNDERCOUNTER WASHBASIN

- fluid and sensually modern design all at once
- optimum comfort through generous dimensioning of the washbasin
- soft, organic interior shape
- geometry allows fittings with short spout leaving ample space for washing
- together with the SILENIO bath and SCONA shower surface, they form a perfect bathroom fitted out entirely with steel enamel
- designed by Anke Salomon



Similar illustrations



Model No.		3047	3048
External length	a	634	934 mm
External width	b	391	391 mm
Internal length	c	594	894 mm
Internal width	d	352,5	352,5 mm
Distance basin surface to bottom edge of waste hole	i	123	123 mm
Distance rear edge to centre of waste hole	j	188	188 mm
Weight of the enamelled washbasin in kg		7,2	10,0

Subject to technical alterations, tolerances and errors. Similar illustrations.

	Model Order No.	Dimensions mm	EUR
SILENIO UNDERCOUNTER WASHBASIN with easy-clean finish and sound insulation Alpine White, enamelled on both sides with overflow	3047 906006003001 3048 906106003001	634 x 391 934 x 391	
OPTIONAL ACCESSORIES (to be ordered separately)			
Push-to-Open waste with chrome cover	3907 905100000999		
Designer bottle trap	3908 905700000999		
A standard stem valve may be used alternatively. Check recommended taps for this washbasin in our Style Guide at www.kaldewei.com			

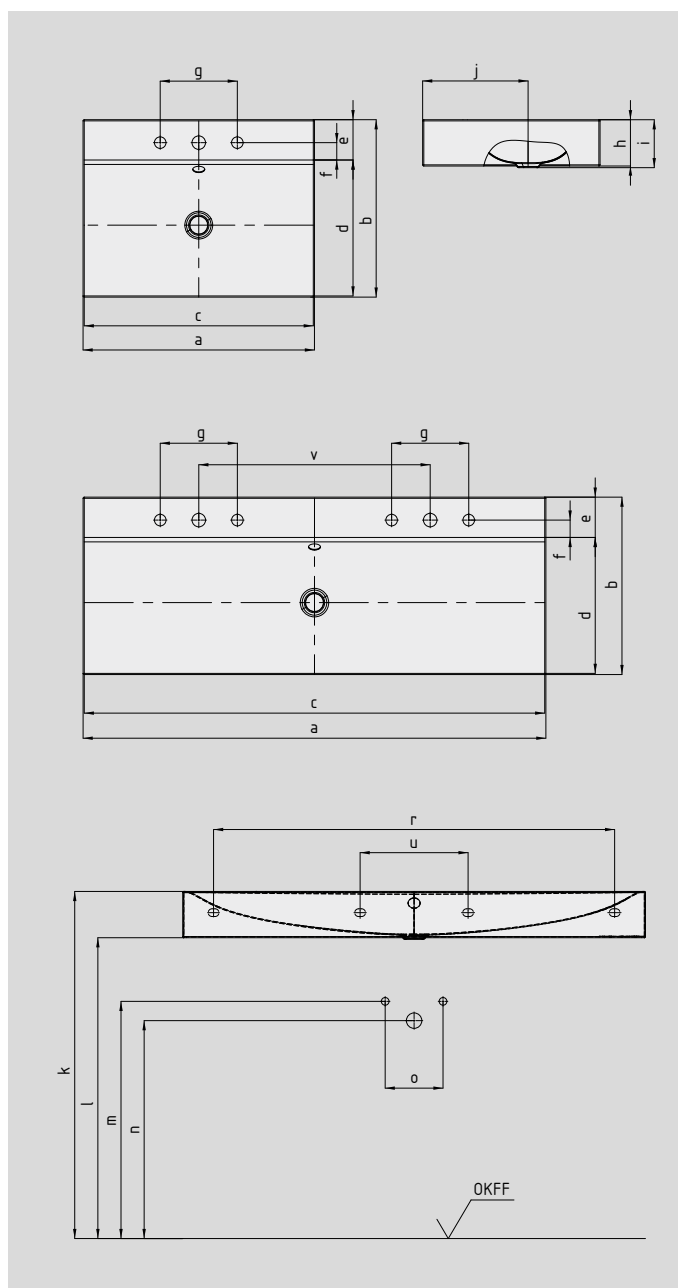


SILENIO WALL-HUNG WASHBASIN

- fluid and sensually modern design all at once
- optimum comfort through generous dimensioning of the washbasin
- soft, organic interior shape
- geometry allows fittings with short spout leaving ample space for washing
- together with the SILENIO bath and SCONA shower surface, they form a perfect bathroom fitted out entirely with steel enamel
- designed by Anke Salomon



Similar illustrations



Model No.		3044	3045	3046
External length	a	600	900	1200 mm
External width	b	460	460	460 mm
Internal length	c	594	894	1194 mm
Internal width	d	352,5	352,5	352,5 mm
Depth of tap deck	e	104,5	104,5	104,5 mm
Distance tap holes to edge	f	45	45	45 mm
Distance of tap holes	g	200	200	200 mm
Height of rim	h	120	120	120 mm
Distance basin surface to bottom edge of waste hole	i	123	123	123 mm
Distance rear edge to centre of waste hole	j	273,4	273,4	273,4 mm
Distance FF*1 to top edge of basin surface	k	820-850	820-850	820-850 mm
Distance FF*1 to bottom edge (washbasin)	l	700-730	700-730	700-730 mm
Distance FF*1 to centre of water inlet	m	570-600	570-600	570-600 mm
Distance FF*1 to centre of drain hole wall connection	n	520-580	520-580	520-580 mm
Distance hot/cold water inlet	o	80-150	80-150	80-150 mm
Distance bottom edge to centre of fixing hole	p	65	65	65 mm
Outer distance of fixing holes*2	r		780	1040 mm
Inner distance of fixing holes*2	u	280	280	280 mm
Distance of tap holes	v			600 mm
Weight of the enamelled washbasin in kg		10,6	12,7	15,8

*1 Finished floor level.

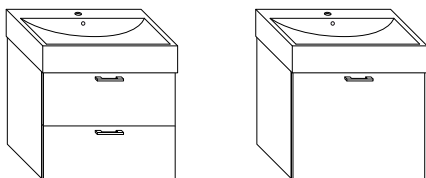
*2 Check the recommended number of fixing holes before purchasing the fittings (varies depending on size of washbasin). Subject to technical alterations, tolerances and errors. Similar illustrations.

	Model Order No.	Dimensions mm	EUR
SILENIO WALL-HUNG WASHBASIN with 1 tap hole with easy-clean finish and sound insulation Alpine White, enamelled on both sides with overflow	3044 9043 0601 3001	600 x 460 x 120	
	3045 9044 0601 3001	900 x 460 x 120	
	3046 9045 0601 3001	1200 x 460 x 120	
TAP HOLE available without extra charge			
without tap hole	xxxx 0600 xxxx		
3 tap holes	xxxx 0603 xxxx		
2 x 1 tap hole for double washbasin (model 3046)	9045 0604 3001		
2 x 3 tap holes for double washbasin (model 3046)	9045 0605 3001		
OPTIONAL ACCESSORIES (to be ordered separately)			
Push-to-Open waste with chrome cover	3907 9051 0000 0999		
Designer bottle trap	3908 9057 0000 0999		
A standard stem valve may be used alternatively. Check recommended taps for this washbasin in our Style Guide at www.kaldewei.com			

The SILENIO Wall-Hung Washbasin can be combined with furniture such as from the Aqua, Diago and Echo series by Burgbad.



Furniture available for SILENIO Wall-Hung Washbasin Models 3044 and 3045



Furniture available for SILENIO Wall-Hung Washbasin Models 3044, 3045 and 3046

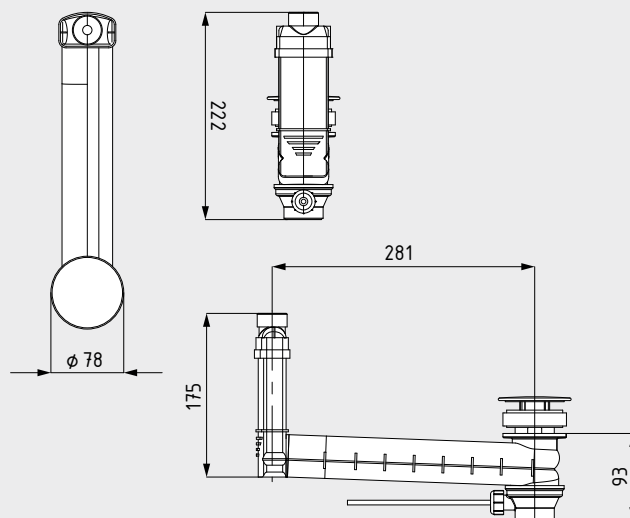
ACCESSORIES FOR WASTE SYSTEMS

CLOU WASTE AND OVERFLOW SYSTEM FOR LEVER OPERATION

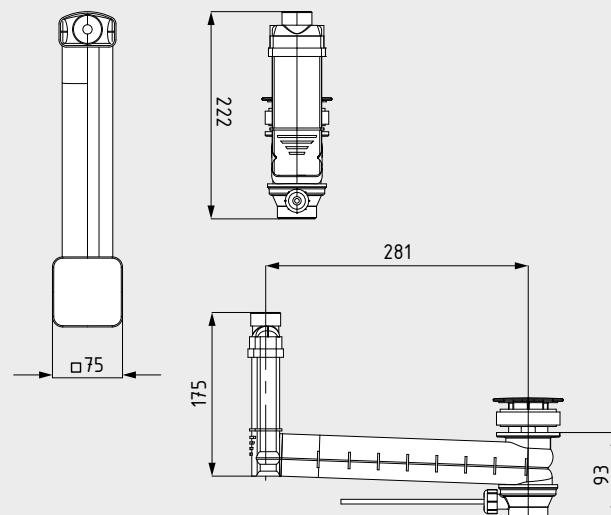
- waste and overflow fitting for washbasins without overflow
- takes over the overflow function and is installed invisibly underneath the basin
- lever operation



Mod. 3900



Mod. 3901



Dimensions in mm

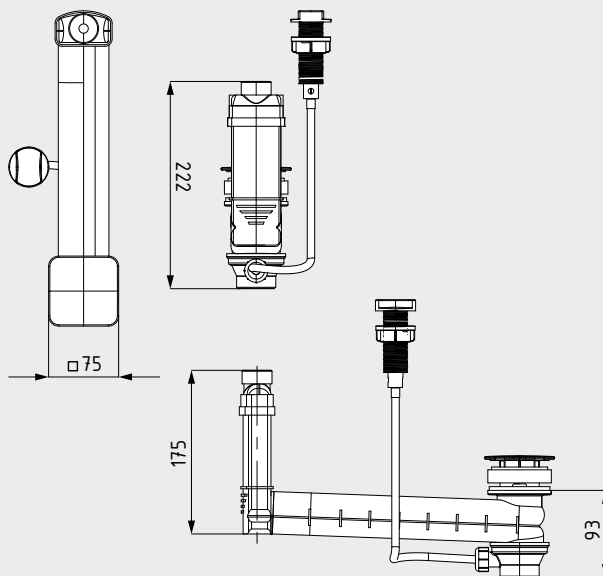
CLOU waste and overflow system for lever operation	Model Order No.	EUR
with square cover, alpine white suitable for CONO and EMERSON (installation version B) washbasins	3901 90540000001	
with round cover, alpine white suitable for CENTRO washbasins	3900 90530000001	

CLOU WASTE AND OVERFLOW SYSTEM WITH CABLE AND CHROME PLATED KNOB (BOWDEN CABLE)

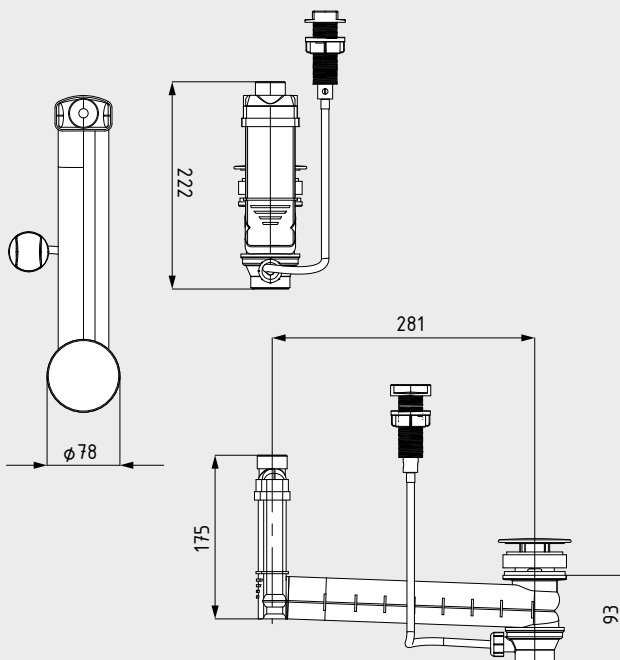
- waste and overflow fitting for washbasins without overflow
- takes over the overflow function and is installed invisibly underneath the basin
- cable and knob operation



Mod. 3903



Mod. 3902



Dimensions in mm

CLOU waste and overflow system with cable and chrome plated knob (Bowden cable)	Model Order No.		EUR
with square cover, alpine white suitable for CONO washbasins	3903* 90560000001		
with round cover, alpine white suitable for CENTRO washbasins	3902* 90550000001		

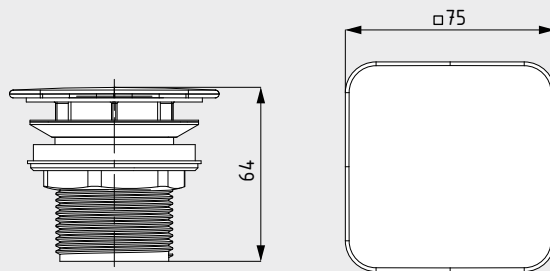
* includes extra charge for control knob hole; to be ordered with washbasin with control knob hole

FREE-FLOW WASTE

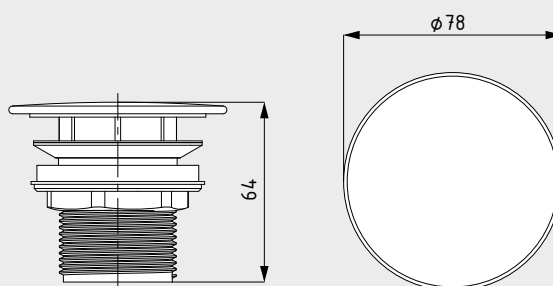
- Free-flow waste for washbasins without overflow function



Model 3905



Model 3904



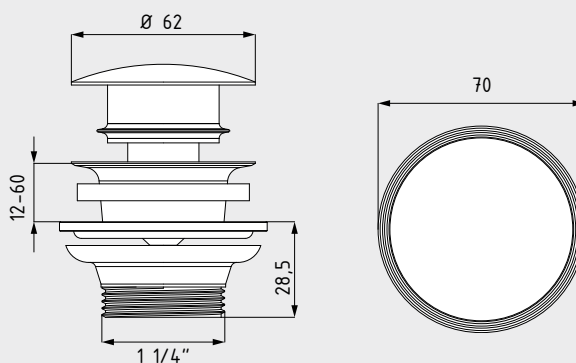
Dimensions in mm

Free-flow waste for washbasins without overflow function	Model Order No.		EUR
with square cover, alpine white suitable for CONO washbasins	3905 905900000001		
with round cover, alpine white suitable for CENTRO washbasins	3904 905800000001		

OPTIONAL ACCESSORIES FOR WASTE SYSTEMS

PUSH-TO-OPEN WASTE

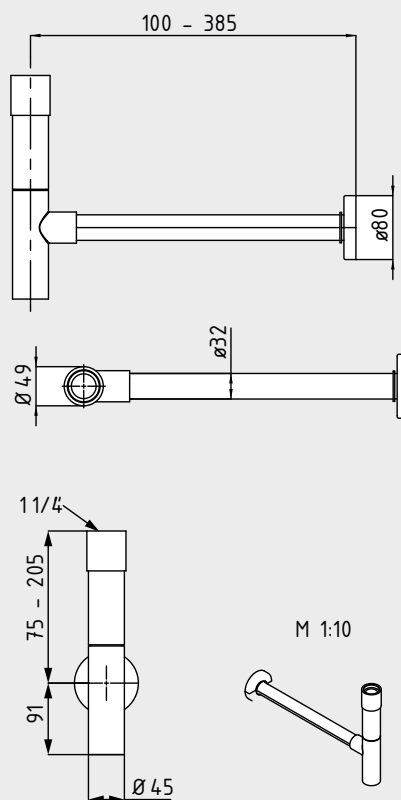
- Push-to-open waste for washbasins with overflow



Push-to-open waste	Model Order No.		EUR
with chrome cover	3907 905100000999		

DESIGNER BOTTLE TRAP

- Designer bottle trap suitable for all models



Dimensions in mm

Designer bottle trap	Model Order No.		EUR
	3908 905700000999		

ADDITIONAL CHARGE FOR REQUESTED BORE HOLES (REGARDLESS OF THE QUANTITY)

		EUR
No tap holes possible for EMERSO range and undercounter washbasins. All other drill holes on enquiry. Dimensioned sketch required.		

MODEL-OVERVIEW BATHS

Order No.	Model No.	Dimensions in cm	Model	Page	Order No.	Model No.	Dimensions in cm	Model	Page
1115	360-1	140 x 70 x 41	SANIFORM PLUS	138-139	2019	1723	180 x 80 x 43	MEISTERSTÜCK CONODUO 2	26-27
1116	361-1	150 x 70 x 41	SANIFORM PLUS	138-139	2020	1129	170 x 75 x 47	MEISTERSTÜCK CENTRO DUO 1 left	12-13
1117	362-1	160 x 70 x 41	SANIFORM PLUS	138-139	2021	1130	170 x 75 x 47	MEISTERSTÜCK CENTRO DUO 1 right	14-15
1118	363-1	170 x 70 x 41	SANIFORM PLUS	138-139	2022	1131	170 x 75 x 47	MEISTERSTÜCK CENTRO DUO 2	16-17
1122	374	175 x 75 x 43	SANIFORM	138-139	2023	1135	180 x 80 x 47	MEISTERSTÜCK CENTRO DUO 2	14-15
1125	372-1	160 x 75 x 41	SANIFORM PLUS	138-139	2172	172	170 x 75 x 41	INCAVA	60-61
1126	373-1	170 x 75 x 41	SANIFORM PLUS	138-139	2174	174	180 x 80 x 43,5	INCAVA	60-61
1128	375-1	180 x 80 x 41	SANIFORM PLUS	138-139	2176	176	190 x 90 x 43,5	INCAVA	60-61
1129	371-1	170 x 73 x 41	SANIFORM PLUS	138-139	2203	245	170 x 70 x 31,5	SANIFORM MEDIUM	136-137
1132	342	170 x 75 x 43	SANILUX	144-145	2209	246	170 x 70 x 31,5	SANIFORM MEDIUM STAR	136-137
1133	343	170 x 75 x 43	SANILUX STAR	144-145	2215	700	170 x 75 x 44	RONDO	108-109
1137	366	140 x 75 x 48	SANIFORM PLUS	140-141	2216	701	170 x 75 x 44	RONDO STAR	108-109
1138	367	160 x 75 x 48	SANIFORM PLUS	140-141	2217	710	180 x 80 x 44	RONDO	108-109
1330	330	140 x 70 x 41	SANIFORM PLUS STAR	138-139	2218	711	180 x 80 x 44	RONDO STAR	108-109
1331	331	150 x 70 x 41	SANIFORM PLUS STAR	138-139	2222	826	170 x 90 x 43	STUDIO right	76-77
1332	332	160 x 70 x 41	SANIFORM PLUS STAR	138-139	2223	827	170 x 90 x 43	STUDIO STAR right	76-77
1333	333	160 x 75 x 41	SANIFORM PLUS STAR	138-139	2227	150	150 x 100 x 50,5	DUO POOL	54-55
1334	334	170 x 73 x 41	SANIFORM PLUS STAR	138-139	2228	828	170 x 90 x 43	STUDIO left	74-75
1335	335	170 x 70 x 41	SANIFORM PLUS STAR	138-139	2229	829	170 x 90 x 43	STUDIO STAR left	74-75
1336	336	170 x 75 x 41	SANIFORM PLUS STAR	138-139	2234	180	180 x 90 x 45	MEGA DUO	62-63
1337	337	180 x 80 x 41	SANIFORM PLUS STAR	138-139	2236	182	214 x 90 x 45	MEGA DUO 6	64-65
1338	338	175 x 75 x 43	SANIFORM STAR	138-139	2238	184	180 x 90 x 45	MEGA DUO OVAL	66-67
1340	332	160 x 70 x 41	SANIFORM V1 STAR	142-143	2244	834	157 x 70/47,5 x 43	MINI right	134-135
1341	332	160 x 70 x 41	SANIFORM V2 STAR	142-143	2245	835	157 x 70/47,5 x 43	MINI STAR right	134-135
1342	332	160 x 70 x 41	SANIFORM V3 STAR	142-143	2246	830	157 x 75/50 x 43	MINI right	134-135
1343	332	160 x 70 x 41	SANIFORM V4 STAR	142-143	2247	831	157 x 75/50 x 43	MINI STAR right	134-135
1344	344	140 x 75 x 48	SANIFORM PLUS STAR	140-141	2248	832	157 x 75/50 x 43	MINI left	132-133
1345	345	160 x 75 x 48	SANIFORM PLUS STAR	140-141	2249	833	157 x 75/50 x 43	MINI STAR left	132-133
1921	362-1	160 x 70 x 41	SANIFORM V1	142-143	2252	836	157 x 70/47,5 x 43	MINI left	132-133
1922	362-1	160 x 70 x 41	SANIFORM V2	142-143	2253	837	157 x 70/47,5 x 43	MINI STAR left	132-133
1923	362-1	160 x 70 x 41	SANIFORM V3	142-143	2261	620	170 x 75 x 43	DYNA SET	90-91
1924	362-1	160 x 70 x 41	SANIFORM V4	142-143	2262	621	170 x 75 x 43	DYNA SET STAR	90-91
2001	1127	170 x 75 x 47	MEISTERSTÜCK CENTRO DUO OVAL	18-19	2264	622	180 x 80 x 43	DYNA SET	90-91
2002	1128	180 x 80 x 47	MEISTERSTÜCK CENTRO DUO OVAL	18-19	2265	623	180 x 80 x 43	DYNA SET STAR	90-91
2003	1740	170 x 80 x 42	MEISTERSTÜCK ASYMMETRIC DUO	10-11	2266	624	150 x 75 x 43	DYNA SET	90-91
2004	1742	180 x 80 x 42	MEISTERSTÜCK ASYMMETRIC DUO	10-11	2267	625	150 x 75 x 43	DYNA SET STAR	90-91
2006	1732	170 x 75 x 43	MEISTERSTÜCK CONODUO	20-21	2268	626	160 x 70 x 43	DYNA SET	90-91
2007	1733	180 x 80 x 43	MEISTERSTÜCK CONODUO	20-21	2269	627	160 x 70 x 43	DYNA SET STAR	90-91
2009	1136	180 x 80 x 47	MEISTERSTÜCK CENTRO DUO 1 left	12-13	2271	706	197 x 75 x 44	RONDO 6	110-111
2010	1137	180 x 80 x 47	MEISTERSTÜCK CENTRO DUO 1 right	14-15	2272	707	197 x 75 x 44	RONDO 6 STAR	110-111
2011	1100	180 x 80 x 41	MEISTERSTÜCK EMERSON	28-29	2273	716	206 x 80 x 44	RONDO 6	110-111
2014	1702	170 x 75 x 43	MEISTERSTÜCK CONODUO 1 left	22-23	2274	717	206 x 80 x 44	RONDO 6 STAR	110-111
2013	1174	175 x 76 x 43,5	MEISTERSTÜCK INCAVA	30-31	2281	660	170 x 100 x 47	TWIN POOL	78-79
2015	1703	180 x 80 x 43	MEISTERSTÜCK CONODUO 1 left	22-23	2283	910	140 x 140 x 45	PUNTA DUO 3	72-73
2016	1712	170 x 75 x 43	MEISTERSTÜCK CONODUO 1 right	24-25	2330	950	180 x 80 x 43	VAIO DUO	118-119
2017	1713	180 x 80 x 43	MEISTERSTÜCK CONODUO 1 right	24-25	2331	951	180 x 80 x 43	VAIO DUO OVAL	126-127
2018	1722	170 x 75 x 43	MEISTERSTÜCK CONODUO 2	26-27	2332	952	210 x 80 x 43	VAIO DUO 6	122-123

MODEL-OVERVIEW BATHS

Order No.	Model No.	Dimensions in cm	Model	Page
2333	953	180 x 80 x 43	VAIO DUO 8	124-125
2334	954	170 x 75 x 43	VAIO SET	128-129
2335	955	170 x 75 x 43	VAIO SET STAR	128-129
2336	956	160 x 70 x 43	VAIO SET	128-129
2337	957	160 x 70 x 43	VAIO SET STAR	128-129
2338	958	190 x 90 x 43	VAIO 6	116-117
2339	959	190 x 90 x 43	VAIO 6 STAR	116-117
2340	960	170 x 80 x 43	VAIO	114-115
2341	961	170 x 80 x 43	VAIO STAR	114-115
2342	962	140 x 140 x 43	VAIO DUO 3	120-121
2344	944	170 x 70 x 43	VAIO SET	128-129
2345	945	170 x 70 x 43	VAIO SET STAR	128-129
2346	946	180 x 80 x 43	VAIO SET	128-129
2347	947	180 x 80 x 43	VAIO SET STAR	128-129
2350	732	170 x 75 x 43	CONODUO	48-49
2351	733	180 x 80 x 43	CONODUO	48-49
2352	734	190 x 90 x 43	CONODUO	48-49
2353	735	200 x 100 x 43	CONODUO	48-49
2370	190	180 x 120/80 x 43	PLAZA DUO right	70-71
2372	192	180 x 120/80 x 43	PLAZA DUO left	68-69
2416	253	170 x 75 x 44	NOVOLA STAR	92-93
2417	257	180 x 80 x 44	NOVOLA DUO STAR	94-95
2418	255	210 x 80 x 44	NOVOLA DUO 6 STAR	96-97
2420	252	170 x 75 x 44	NOVOLA	92-93
2422	256	180 x 80 x 44	NOVOLA DUO	94-95
2424	254	210 x 80 x 44	NOVOLA DUO 6	96-97
2504	144	200 x 100 x 35,5	BASSINO	34-35
2554	654	170 x 75 x 42	PURO STAR	98-99
2555	655	180 x 80 x 42	PURO STAR	100-101
2558	658	170 x 75 x 42	PURO STAR with side overflow	102-103
2559	659	180 x 80 x 42	PURO STAR with side overflow	104-105
2562	652	170 x 75 x 42	PURO	98-99
2563	653	180 x 80 x 42	PURO	100-101
2566	656	170 x 75 x 42	PURO with side overflow	102-103
2567	657	180 x 80 x 42	PURO with side overflow	104-105
2583	683	160 x 70 x 42	PURO	98-99
2584	684	170 x 70 x 42	PURO with side overflow	102-103
2585	685	160 x 70 x 42	PURO STAR	98-99
2586	686	170 x 70 x 42	PURO STAR with side overflow	102-103
2587	687	170 x 70 x 42	PURO	98-99
2588	688	170 x 70 x 42	PURO with side overflow	102-103
2589	689	170 x 70 x 42	PURO STAR	98-99
2590	690	170 x 70 x 42	PURO STAR with side overflow	102-103
2591	691	170 x 80 x 42	PURO	100-101
2592	692	170 x 80 x 42	PURO with side overflow	104-105
2594	694	170 x 80 x 42	PURO STAR with side overflow	104-105
2595	693	170 x 80 x 42	PURO STAR	100-101

Order No.	Model No.	Dimensions in cm	Model	Page
2596	696	190 x 90 x 42	PURO	100-101
2597	697	190 x 90 x 42	PURO with side overflow	104-105
2598	698	190 x 90 x 42	PURO STAR	100-101
2599	699	190 x 90 x 42	PURO STAR with side overflow	104-105
2663	663	170 x 75 x 42	PURO DUO	106-107
2664	664	180 x 80 x 42	PURO DUO	106-107
2665	665	190 x 90 x 42	PURO DUO	106-107
2674	674	170 x 75 x 41	SILENIO	112-113
2676	676	180 x 80 x 43,5	SILENIO	112-113
2678	678	100 x 90 x 43,5	SILENIO	112-113
2740	740	170 x 80 x 42	ASYMMETRIC DUO	32-33
2742	742	180 x 90 x 42	ASYMMETRIC DUO	32-33
2744	744	190 x 100 x 42	ASYMMETRIC DUO	32-33
2747	747	150 x 70 x 41	CAYONO	130-131
2748	748	160 x 70 x 41	CAYONO	130-131
2749	749	170 x 70 x 41	CAYONO	130-131
2750	750	170 x 75 x 41	CAYONO	130-131
2751	751	180 x 80 x 41	CAYONO	130-131
2753	753	150 x 70 x 41	CAYONO STAR	130-131
2754	754	160 x 70 x 41	CAYONO STAR	130-131
2755	755	170 x 70 x 41	CAYONO STAR	130-131
2756	756	170 x 75 x 41	CAYONO STAR	130-131
2757	757	180 x 80 x 41	CAYONO STAR	130-131
2827	127	170 x 75 x 47	CENTRO DUO OVAL	44-45
2828	128	180 x 80 x 47	CENTRO DUO OVAL	44-45
2829	129	170 x 75 x 47	CENTRO DUO 1 left	38-39
2830	130	170 x 75 x 47	CENTRO DUO 1 right	38-39
2831	131	170 x 75 x 47	CENTRO DUO 2	40-41
2832	132	170 x 75 x 47	CENTRO DUO	36-37
2833	133	180 x 80 x 47	CENTRO DUO	36-37
2834	134	200 x 75 x 47	CENTRO DUO 6	42-43
2835	135	180 x 80 x 47	CENTRO DUO 2	40-41
2836	136	180 x 80 x 47	CENTRO DUO 1 left	38-39
2837	137	180 x 80 x 47	CENTRO DUO 1 right	38-39
2860	230	190 x 100 x 45	ELLIPSO DUO	56-57
2862	232	190 x 100 x 45	ELLIPSO DUO OVAL	58-59
2903	103	160 x 70 x 43	CLASSIC DUO	80-81
2905	105	170 x 70 x 43	CLASSIC DUO	80-81
2907	107	170 x 75 x 43	CLASSIC DUO	80-81
2909	109	180 x 75 x 43	CLASSIC DUO	82-83
2910	110	180 x 80 x 43	CLASSIC DUO	82-83
2912	111	180 x 80 x 43	CLASSIC DUO OVAL	86-87
2913	112	160 x 70 x 43	CLASSIC DUO OVAL	84-85
2914	113	170 x 75 x 43	CLASSIC DUO OVAL	84-85
2915	114	190 x 90 x 43	CLASSIC DUO	82-83
2916	115	180 x 80 x 43	CLASSIC DUO OVAL WIDE	88-89
2926	116	170 x 70 x 43	CLASSIC DUO OVAL	84-85

MODEL-OVERVIEW SHOWER SURFACES AND SHOWER TRAYS

Order No.	Model No.	Dimensions in cm	Model	Page	Order No.	Model No.	Dimensions in cm	Model	Page
3310	395	80 x 80 x 14	SANIDUSCH	266-267	4403	545	90 x 90 x 6,5	DUSCHPLAN	242-243
3311	396	90 x 90 x 14	SANIDUSCH	266-267	4404	544	80 x 90 x 6,5	DUSCHPLAN	242-243
3315	548	75 x 80 x 14	SANIDUSCH	266-267	4405	542	80 x 80 x 6,5	DUSCHPLAN	242-243
3316	549	75 x 90 x 14	SANIDUSCH	266-267	4406	550	80 x 100 x 14	SANIDUSCH	266-267
3320	495	80 x 80 x 25	SANIDUSCH	268-269	4407	397	100 x 100 x 14	SANIDUSCH	266-267
3321	496	90 x 90 x 25	SANIDUSCH	268-269	4408	551	80 x 90 x 14	SANIDUSCH	266-267
3325	558	75 x 80 x 25	SANIDUSCH	268-269	4409	543	75 x 90 x 6,5	DUSCHPLAN	242-243
3326	559	75 x 90 x 25	SANIDUSCH	268-269	4421	547	70 x 90 x 6,5	DUSCHPLAN	242-243
4300	400	70 x 90 x 2,5	SUPERPLAN	198-199	4436	447	80 x 150 x 4,0	SUPERPLAN XXL	216-217
4301	401	70 x 120 x 2,5	SUPERPLAN	204-205	4448	594	80 x 80 x 2,5	FONTANA	254-255
4302	402	75 x 100 x 2,5	SUPERPLAN	202-203	4452	586	90 x 90 x 6,5	FONTANA	254-255
4303	403	75 x 120 x 2,5	SUPERPLAN	206-207	4453	583	80 x 80 x 6,5	FONTANA	254-255
4304	404-5	90 x 100 x 2,5	SUPERPLAN with low profile support	210-211	4459	564	90 x 90 x 2,5	FONTANA	254-255
4304	404	90 x 100 x 2,5	SUPERPLAN	202-203	4469	390-5	90 x 90 x 2,5	SUPERPLAN with low profile support	210-211
4305	405	90 x 110 x 2,5	SUPERPLAN	204-205	4469	390	90 x 90 x 2,5	SUPERPLAN	200-201
4306	406-5	90 x 120 x 2,5	SUPERPLAN with low profile support	210-211	4470	391-5	100 x 100 x 2,5	SUPERPLAN with low profile support	210-211
4306	406	90 x 120 x 2,5	SUPERPLAN	206-207	4470	391	100 x 100 x 2,5	SUPERPLAN	204-205
4307	407	100 x 120 x 2,5	SUPERPLAN	208-209	4471	399	120 x 120 x 2,5	SUPERPLAN	208-209
4308	408	70 x 140 x 3,9	SUPERPLAN XXL	212-213	4472	398-5	80 x 100 x 2,5	SUPERPLAN with low profile support	210-211
4309	409	70 x 170 x 4,7	SUPERPLAN XXL	220-221	4472	398	80 x 100 x 2,5	SUPERPLAN	202-203
4310	410	75 x 140 x 4,0	SUPERPLAN XXL	212-213	4473	389-5	80 x 120 x 2,5	SUPERPLAN with low profile support	210-211
4311	411	75 x 170 x 4,7	SUPERPLAN XXL	220-221	4473	389	80 x 120 x 2,5	SUPERPLAN	206-207
4312	412	100 x 140 x 4,3	SUPERPLAN XXL	214-215	4475	386-5	80 x 80 x 2,5	SUPERPLAN with low profile support	210-211
4315	415	70 x 120 x 6,5	DUSCHPLAN	248-249	4475	386	80 x 80 x 2,5	SUPERPLAN	198-199
4316	416	75 x 100 x 6,5	DUSCHPLAN	242-243	4476	385	75 x 80 x 2,5	SUPERPLAN	198-199
4317	417	75 x 120 x 6,5	DUSCHPLAN	248-249	4477	387	75 x 90 x 2,5	SUPERPLAN	200-201
4318	418	90 x 100 x 6,5	DUSCHPLAN	242-243	4478	388	80 x 90 x 2,5	SUPERPLAN	200-201
4319	419	90 x 110 x 6,5	DUSCHPLAN	248-249	4479	539	70 x 90 x 14	SANIDUSCH	266-267
4320	420	90 x 120 x 6,5	DUSCHPLAN	248-249	4480	540	70 x 75 x 14	SANIDUSCH	266-267
4321	421	100 x 120 x 6,5	DUSCHPLAN	248-249	4481	541	70 x 85 x 14	SANIDUSCH	266-267
4322	422	120 x 120 x 6,5	DUSCHPLAN	248-249	4482	555	80 x 120 x 6,5	DUSCHPLAN	248-249
4323	423	70 x 140 x 6,5	DUSCHPLAN XXL	252-253	4483	552	80 x 120 x 14	SANIDUSCH	266-267
4324	424	70 x 170 x 6,5	DUSCHPLAN XXL	252-253	4486	554	75 x 80 x 6,5	DUSCHPLAN	242-243
4325	425	75 x 140 x 6,5	DUSCHPLAN XXL	252-253	4520	511	80 x 80 x 6,5	ZIRKON	272-273
4326	426	75 x 170 x 6,5	DUSCHPLAN XXL	252-253	4522	513	90 x 90 x 6,5	ZIRKON	272-273
4327	427	100 x 140 x 6,5	DUSCHPLAN XXL	252-253	4555	501	90 x 75 x 3,5	ZIRKON	270-271
4329	429	90 x 140 x 4,3	SUPERPLAN XXL	212-213	4556	502	75 x 90 x 3,5	ZIRKON	270-271
4330	430	90 x 170 x 5,1	SUPERPLAN XXL	220-221	4557	503	90 x 75 x 6,5	ZIRKON	272-273
4331	431	70 x 160 x 3,9	SUPERPLAN XXL	216-217	4558	504	75 x 90 x 6,5	ZIRKON	272-273
4333	433	70 x 150 x 3,9	SUPERPLAN XXL	214-215	4560	506	80 x 90 x 6,5	ZIRKON	272-273
4335	435	75 x 150 x 4,0	SUPERPLAN XXL	214-215	4561	507	80 x 100 x 6,5	ZIRKON	272-273
4336	436	75 x 160 x 4,0	SUPERPLAN XXL	218-219	4562	508	90 x 80 x 6,5	ZIRKON	272-273
4337	437	80 x 180 x 4,7	SUPERPLAN XXL	222-223	4563	509	100 x 80 x 6,5	ZIRKON	272-273
4338	438	90 x 130 x 2,5	SUPERPLAN XXL	212-213	4564	510	100 x 100 x 6,5	ZIRKON	272-273
4339	439	90 x 150 x 4,3	SUPERPLAN XXL	216-217	4565	600	80 x 80 x 3,5	ZIRKON	270-271
4340	440	90 x 160 x 4,3	SUPERPLAN XXL	218-219	4566	601	80 x 90 x 3,5	ZIRKON	270-271
4341	441	90 x 180 x 5,1	SUPERPLAN XXL	222-223	4567	602	80 x 100 x 3,5	ZIRKON	270-271
4342	442	100 x 150 x 4,3	SUPERPLAN XXL	216-217	4568	603	90 x 80 x 3,5	ZIRKON	270-271
4343	443	100 x 160 x 4,3	SUPERPLAN XXL	218-219	4569	604	90 x 90 x 3,5	ZIRKON	270-271
4344	444	100 x 170 x 5,1	SUPERPLAN XXL	220-221	4570	605	100 x 80 x 3,5	ZIRKON	270-271
4345	445	100 x 180 x 5,1	SUPERPLAN XXL	222-223	4571	606	100 x 100 x 3,5	ZIRKON	270-271
4349	448	80 x 160 x 4,0	SUPERPLAN XXL	218-219	4590	670	90 x 90 x 2,5	CORNEZZA	196-197
4353	446	80 x 140 x 4,0	SUPERPLAN XXL	212-213	4591	671	90 x 90 x 2,5	CORNEZZA	196-197
4401	546	80 x 100 x 6,5	DUSCHPLAN	242-243	4592	672	100 x 100 x 2,5	CORNEZZA	196-197
4402	392	100 x 100 x 6,5	DUSCHPLAN	248-249	4593	673	100 x 100 x 2,5	CORNEZZA	196-197

























MODEL-OVERVIEW SHOWER SURFACES AND SHOWER TRAYS

Order No.	Model No.	Dimensions in cm	Model	Page	Order No.	Model No.	Dimensions in cm	Model	Page
4600	870	90 x 90 x 2,5	ARRONDO	238-239	4887	887	80 x 120	XETIS	232-233
4601	871	90 x 90 x 6,5	ARRONDO	238-239	4888	888	90 x 120	XETIS	232-233
4602	872	100 x 100 x 2,5	ARRONDO	238-239	4889	889	100 x 120	XETIS	232-233
4603	873	100 x 100 x 6,5	ARRONDO	238-239	4890	890	120 x 120	XETIS	232-233
4604	880	90 x 90 x 6,5	ARRONDO with apron	240-241	4891	891	80 x 140	XETIS	234-235
4605	881	100 x 100 x 6,5	ARRONDO with apron	240-241	4892	892	90 x 140	XETIS	234-235
4650	780	80 x 90	CONOFLAT	184-185	4893	893	100 x 140	XETIS	234-235
4651	781	80 x 100	CONOFLAT	184-185	4894	894	90 x 170	XETIS	234-235
4652	782	80 x 120	CONOFLAT	188-189	4895	895	100 x 170	XETIS	234-235
4653	783	90 x 90	CONOFLAT	184-185	4896	896	90 x 180	XETIS	234-235
4654	784	90 x 100	CONOFLAT	186-187	4897	897	100 x 180	XETIS	234-235
4655	785	90 x 120	CONOFLAT	188-189	4908	908	75 x 80	SCONA	256-257
4656	786	100 x 100	CONOFLAT	186-187	4911	911	80 x 80	SCONA	256-257
4657	787	80 x 110	CONOFLAT	186-187	4912	912	75 x 90	SCONA	256-257
4658	788	90 x 110	CONOFLAT	186-187	4913	913	90 x 90	SCONA	256-257
4659	789	100 x 120	CONOFLAT	188-189	4914	914	80 x 100	SCONA	256-257
4660	790	120 x 120	CONOFLAT	188-189	4915	915	90 x 100	SCONA	256-257
4661	791	80 x 130	CONOFLAT	188-189	4916	916	100 x 100	SCONA	258-259
4662	792	90 x 130	CONOFLAT	190-191	4917	917	80 x 120	SCONA	258-259
4663	793	100 x 130	CONOFLAT	190-191	4918	918	90 x 120	SCONA	258-259
4664	794	80 x 140	CONOFLAT	190-191	4919	919	90 x 140	SCONA	260-261
4665	795	90 x 140	CONOFLAT	190-191	4940	940	70 x 90	SCONA	256-257
4666	796	100 x 140	CONOFLAT	190-191	4941	941	80 x 90	SCONA	256-257
4668	852	80 x 80	CONOFLAT	184-185	4942	942	75 x 100	SCONA	256-257
4669	853	75 x 90	CONOFLAT	184-185	4943	943	80 x 110	SCONA	258-259
4670	854	100 x 110	CONOFLAT	186-187	4963	963	90 x 110	SCONA	258-259
4671	855	80 x 150	CONOFLAT	190-191	4964	964	100 x 110	SCONA	258-259
4672	856	90 x 150	CONOFLAT	192-193	4965	965	70 x 120	SCONA	258-259
4673	857	100 x 150	CONOFLAT	192-193	4966	966	75 x 120	SCONA	258-259
4674	858	75 x 160	CONOFLAT	192-193	4967	967	100 x 120	SCONA	258-259
4675	859	80 x 160	CONOFLAT	192-193	4968	968	120 x 120	SCONA	260-261
4676	860	90 x 160	CONOFLAT	192-193	4969	969	80 x 130	SCONA	260-261
4677	861	100 x 160	CONOFLAT	192-193	4970	970	90 x 130	SCONA	260-261
4678	862	75 x 170	CONOFLAT	194-195	4972	972	100 x 130	SCONA	260-261
4679	863	90 x 170	CONOFLAT	194-195	4974	974	70 x 140	SCONA	260-261
4681	864	100 x 170	CONOFLAT	194-195	4975	975	75 x 140	SCONA	260-261
4682	865	80 x 180	CONOFLAT	194-195	4976	976	80 x 140	SCONA	260-261
4683	866	90 x 180	CONOFLAT	194-195	4977	977	100 x 140	SCONA	260-261
4684	867	100 x 180	CONOFLAT	194-195	4978	978	70 x 150	SCONA	262-263
4697	469	80 x 80 x 2,5	SUPERPLAN PLUS	224-225	4979	979	75 x 150	SCONA	262-263
4700	475	90 x 90 x 2,5	SUPERPLAN PLUS	224-225	4982	982	80 x 150	SCONA	262-263
4701	476	75 x 100 x 2,5	SUPERPLAN PLUS	224-225	4983	983	90 x 150	SCONA	262-263
4702	477	80 x 100 x 2,5	SUPERPLAN PLUS	224-225	4984	984	100 x 150	SCONA	262-263
4703	478	90 x 100 x 2,5	SUPERPLAN PLUS	226-227	4985	985	70 x 160	SCONA	262-263
4704	479	100 x 100 x 2,5	SUPERPLAN PLUS	226-227	4986	986	75 x 160	SCONA	262-263
4705	480	90 x 110 x 2,5	SUPERPLAN PLUS	226-227	4987	987	80 x 160	SCONA	262-263
4706	481	70 x 120 x 2,5	SUPERPLAN PLUS	228-229	4988	988	90 x 160	SCONA	262-263
4707	482	75 x 120 x 2,5	SUPERPLAN PLUS	228-229	4989	989	100 x 160	SCONA	264-265
4708	483	80 x 120 x 2,5	SUPERPLAN PLUS	228-229	4991	991	70 x 170	SCONA	264-265
4709	484	90 x 120 x 2,5	SUPERPLAN PLUS	230-231	4993	993	75 x 170	SCONA	264-265
4710	485	100 x 120 x 2,5	SUPERPLAN PLUS	230-231	4994	994	90 x 170	SCONA	264-265
4711	486	120 x 120 x 2,5	SUPERPLAN PLUS	230-231	4995	995	100 x 170	SCONA	264-265
4714	494	150 x 150 x 5,2	SUPERPLAN PLUS	230-231	4996	996	80 x 180	SCONA	264-265
4885	885	90 x 90	XETIS	232-233	4997	997	90 x 180	SCONA	264-265
4886	886	100 x 100	XETIS	232-233	4998	998	100 x 180	SCONA	264-265

MODEL-OVERVIEW WASHBASINS

Order No.	Model No.	Dimensions in cm	Model	Page
9000	3150	460 x 460 x 14	PURO Built-in Washbasin	324-325
9001	3151	600 x 460 x 14	PURO Built-in Washbasin	324-325
9002	3152	900 x 460 x 14	PURO Built-in Washbasin	324-325
9003	3153	460 x 460 x 40	PURO Inset Countertop Washbasin	326-327
9004	3154	600 x 460 x 40	PURO Inset Countertop Washbasin	326-327
9005	3155	900 x 460 x 40	PURO Inset Countertop Washbasin	326-327
9006	3156	460 x 460 x 120	PURO Countertop Washbasin	328-329
9007	3157	600 x 460 x 120	PURO Countertop Washbasin	328-329
9008	3158	900 x 460 x 120	PURO Countertop Washbasin	328-329
9009	3159	460 x 385	PURO Undercounter Washbasin	330-331
9010	3160	600 x 385	PURO Undercounter Washbasin	330-331
9011	3161	900 x 385	PURO Undercounter Washbasin	330-331
9012	3162	550 x 300 x 100	PURO Handrinse Washbasin	332-333
9013	3163	460 x 460 x 120	PURO Wall-Hung Washbasin	334-335
9014	3164	600 x 460 x 120	PURO Wall-Hung Washbasin	334-335
9015	3165	900 x 460 x 120	PURO Wall-Hung Washbasin	334-335
9016	3080	600 x 500 x 14	CONO Built-in Washbasin	312-313
9017	3081	900 x 500 x 14	CONO Built-in Washbasin	312-313
9018	3082	1200 x 500 x 14	CONO Built-in Washbasin	312-313
9019	3083	600 x 500 x 40	CONO Inset Countertop Washbasin	314-315
9020	3084	900 x 500 x 40	CONO Inset Countertop Washbasin	314-315
9021	3085	600 x 500 x 120	CONO Countertop Washbasin	316-317
9022	3086	900 x 500 x 120	CONO Countertop Washbasin	316-317
9023	3087	569 x 382	CONO Undercounter Washbasin	318-319

Order No.	Model No.	Dimensions in cm	Model	Page
9024	3088	869 x 382	CONO Undercounter Washbasin	318-319
9025	3089	600 x 500 x 120	CONO Wall-Hung Washbasin	320-321
9026	3090	900 x 500 x 120	CONO Wall-Hung Washbasin	342-343
9027	3091	1200 x 500 x 120	CONO Wall-Hung Washbasin	320-321
9028	3055	600 x 500 x 40	CENTRO Inset Countertop Washbasin	304-305
9029	3056	900 x 500 x 40	CENTRO Inset Countertop Washbasin	304-305
9030	3057	600 x 500 x 120	CENTRO Countertop Washbasin	306-307
9031	3058	900 x 500 x 120	CENTRO Countertop Washbasin	306-307
9032	3059	600 x 370	CENTRO Undercounter Washbasin	308-309
9033	3060	900 x 370	CENTRO Undercounter Washbasin	308-309
9034	3061	600 x 500 x 120	CENTRO Wall-Hung Washbasin	310-311
9035	3062	900 x 500 x 120	CENTRO Wall-Hung Washbasin	310-311
9039	3040	600 x 460 x 40	SILENIO Inset Countertop Washbasin	336-337
9040	3041	900 x 460 x 40	SILENIO Inset Countertop Washbasin	336-337
9041	3042	600 x 460 x 120	SILENIO Countertop Washbasin	338-339
9042	3043	900 x 460 x 120	SILENIO Countertop Washbasin	338-339
9043	3044	600 x 460 x 120	SILENIO Wall-Hung Washbasin	342-343
9044	3045	900 x 460 x 120	SILENIO Wall-Hung Washbasin	342-343
9045	3046	1200 x 460 x 120	SILENIO Wall-Hung Washbasin	342-343
9046	3021	520 x 420 x 32	EMERSO Built-in Washbasin	322-323
9047	3022	720 x 420 x 32	EMERSO Built-in Washbasin	322-323
9048	3020	520 x 420 x 900	MEISTERSTÜCK EMERSO Washbasin Free-standing	302-303
9060	3047	634 x 391	SILENIO Undercounter Washbasin	340-341
9061	3048	934 x 391	SILENIO Undercounter Washbasin	340-341

STRUCTURE OF THE 12-DIGIT ORDER NUMBER BATHING/ EXAMPLES			
Example 1	Model	Equipment / Variant	Colour/easy-clean finish
Art. indication	Bath 	with support 	alpine white with easy-clean finish 
Order No.	xxxx	4804	3001
Art. indication	Bath 	with support and anti-slip 	
Order No.	xxxx	3500	xxxx
Art. indication	Bath 	with support and panel 	
Order No.	xxxx	4803	xxxx
Art. indication	Bath 	with support, panel and anti-slip 	
Order No.	xxxx	3501	xxxx
Art. indication	Bath 	with full anti-slip 	
Order No.	xxxx	3401	xxxx
Art. indication	Bath 	with anti-slip 	
Order No.	xxxx	3000	xxxx
Art. indication	Bath 	with overflow hole on the opposite side 	
Order No.	xxxx	2300	xxxx
Art. indication	Bath 	Pre-drilled grip hole for Duo baths with single grip 	
Order No.	xxxx	1011	xxxx

STRUCTURE OF THE 12-DIGIT ORDER NUMBER SHOWERING/ EXAMPLES

Example 1	Model	Equipment / Variant	Colour/easy-clean finish
Art. indication	SUPERPLAN Mod. 90 x 90 x 2,5	with support, with full anti-slip	alpine white with easy-clean finish
Order No.	4469	3504	3001
Example 2	Model	Equipment / Variant	Colour/easy-clean finish
Art. indication	SUPERPLAN Mod. 90 x 90 x 2,5	without support, with anti-slip	alpine white without easy-clean finish
Order No.	4469	3000	0001
Example 3	Model	Equipment / Variant	Colour/SECURE PLUS*
Art. indication	SUPERPLAN Mod. 90 x 90 x 2,5	without support, without anti-slip	with SECURE PLUS*
Order No.	4469	0001	2713 (alpine white matt (from 01.04.))
Further	Model	Equipment / Variant	Colour/easy-clean finish
Art. indication	Shower tray	without support, with full anti-slip	
Order No.	xxxx	3002	xxxx
Art. indication	Shower tray	support and base	
Order No.	xxxx	4800	xxxx
Art. indication	Shower tray	with support, base and anti-slip	
Order No.	xxxx	3700	xxxx
Art. indication	Shower tray	with support	
Order No.	xxxx	4804	xxxx
Art. indication	Shower tray	with support and anti-slip	
Order No.	xxxx	3500	xxxx
Art. indication	Shower tray	with support and panel	
Order No.	xxxx	4803	xxxx
Art. indication	Shower tray	with support, panel and anti-slip	
Order No.	xxxx	3501	xxxx
Art. indication	Shower tray	with support, panel and anti-slip	
Order No.	xxxx	3501	xxxx

* Attention: SECURE PLUS cannot be combined with easy-clean finish and anti-slip/full anti-slip.

GENERAL TERMS AND CONDITIONS FOR DELIVERY AND PAYMENT

FRANZ KALDEWEI GMBH & CO. KG

General Terms and Conditions

- All KALDEWEI deliveries and services, including consultancy services and future deliveries and services, are made solely on the basis of these Terms and Conditions for Delivery and Payment. The buyer's Terms of Business will not apply even if KALDEWEI has not expressed explicit objection to these terms. KALDEWEI's terms and conditions are deemed to have been acknowledged by the time the goods supplied by KALDEWEI are accepted. The definitive document is KALDEWEI's Terms and Conditions for Delivery and Payment in the valid version in each instance.
- Offers from KALDEWEI are made without obligation. Contractual and other agreements become binding when confirmed in writing by KALDEWEI. The wording of the confirmation alone is decisive. KALDEWEI will not be bound by any supplementary agreements made verbally.
- The information on the subject matter of the delivery or performance as well as the representation of the same (e.g. drawings and illustrations) are only approximate. They do not represent any quality guarantee, but descriptions or identifications of the delivery or performance. Customary variations and those that are effected on the basis of statutory regulations or that represent technical improvements are admissible insofar as they do not impair use for the contractually intended purpose.

II. Scope of delivery, delivery times

- Delivery periods and dates are only ever approximate. They relate to the time of dispatch and are compiled with once notification of readiness for dispatch has been given.
- Delivery periods are extended without prejudice to KALDEWEI's rights arising from delay in fulfilment by the buyer, by the period during which the buyer fails to fulfil his obligations towards KALDEWEI. This applies accordingly to delivery dates.
- Reasonable part deliveries are permitted.
- In the event of Acts of God or other disruptive events which cannot be foreseen at the time of conclusion of the contract (e.g. stoppages of all kinds, transport delays, strikes, lawful lockouts, measures taken by authorities, difficulties in procuring materials or energy, unfavourable weather conditions, or the failure to supply, incorrect or delayed supply by KALDEWEI's suppliers) for which KALDEWEI is not responsible and which make it significantly more difficult or impossible to perform the delivery or service, KALDEWEI will be entitled to withdraw from the contract provided the obstacle is permanent. For obstacles of a temporary nature, the delivery periods for goods or services will be extended or the delivery dates for goods or services put back by the period during which the obstacle is in place with the addition of an appropriate re-start period. Insofar as the buyer cannot be expected to accept the delivery or service as a result of the delay, the buyer will be entitled to withdraw from the contract by immediately informing KALDEWEI in writing of the intent to do so. No claims for compensation for damages will be accepted in these instances.
- Cancellation of orders at customers' request
The following cancellation fees are charged for an order cancellation: Unless otherwise stated in the order confirmation, an order can be cancelled free of charge within one week. After this time, a handling fee of 50 % of the order value is charged.

III. Dispatch and transfer of risk

- Risk passes to the buyer with the transfer of the goods to the haulier or freight carrier, even if carriage paid delivery has been agreed, and at the latest at the point where the goods leave KALDEWEI's plant or warehouse. Where dispatch is delayed and for reasons which are not KALDEWEI's responsibility, then the transfer of risk occurs at the time when the notice of readiness for dispatch is issued. Warehousing costs following the transfer of risk are borne by the buyer.
- The form of dispatch and choice of packaging is as KALDEWEI sees fit. If the packaging is returned in perfect condition, with charges prepaid by the sender, this will be credited in full.
- The shipment will be insured against damage in transit and other risks only at the express wish and at the expense of the buyer.

IV. Prices and Terms and Conditions for Payment

- Our prices apply for the scope of delivery and performance contained in our acknowledgements of order. Unless otherwise agreed, prices are in euro ex works or ex warehouse, packaging and incidental charges not included, plus value added tax.
- Unless otherwise agreed, net payment is to be made within 30 days of the date of the invoice; a 3% cash discount will be given on payments made within 8 days of the date of the invoice. The sum to which the discount applies is calculated after deduction of freight and any other costs. This discount is not available to buyers who are in arrears with earlier invoices. Discountable bills of exchange will be accepted only if explicitly agreed, without guarantee for protest, and only in order to secure payment. Discount charges, bank charges and tax on drafts and bills of exchange will be borne by the buyer. Bills of exchange and cheques are deemed paid when cashed.
- Retention of payments because of, or offsetting of payments by, counter-claims by the buyer will only be permitted if the counter-claims are uncontested or have been determined in law.
- If after conclusion of the contract KALDEWEI becomes aware of circumstances, irrespective of whether these circumstances were apparent at the time of concluding the contract or not, which serve to diminish the creditworthiness of the buyer, KALDEWEI will be entitled to execute outstanding deliveries from this and other business only against advance payment or offer of security. If the buyer is unable to meet the request

for advance payment or offer of security, then KALDEWEI will, after an appropriate additional period, be entitled to withdraw from the contract or to demand compensation for damages for non-fulfilment.

V. Reservation of ownership

- KALDEWEI reserves ownership of all goods supplied by the company (reserved goods) until the buyer has settled all obligations arising from the business relationship including any that arise at a future date. In the event of conduct on the part of the buyer that is in violation of the contract, specifically in respect of default in payment, KALDEWEI will be entitled to take back the reserved goods. This does not constitute withdrawal from the contract unless KALDEWEI expressly declares this to be the case. KALDEWEI is entitled to realise the value of the goods once they have been taken back, in which case the proceeds will be credited against the obligations of the buyer, with the deduction of appropriate realisation costs.
 - The buyer is entitled to process the reserved goods in the normal course of business so long as the buyer is not in default in payment. The processing or transformation of the reserved goods is carried out for KALDEWEI as manufacturer in the sense of Article 950 of the German Civil Code (Bürgerliches Gesetzbuch or BGB) with no obligation on KALDEWEI. The processed or transformed goods are deemed to be reserved goods in the sense of Figure 1.
 - Where the buyer processes, joins or mixes the reserved goods with other items which do not belong to KALDEWEI, KALDEWEI is entitled to joint ownership of the new item in the proportion of the invoiced value of the reserved goods to the sum of the invoiced values of the other items used.
 - For the new items produced in accordance with letter a) and for the share in joint ownership arising in accordance with letter b), the conditions relating to reserved goods apply accordingly.
 - The buyer is only entitled to resell the reserved goods in the context of normal conduct of business (e.g. not in a so-called check and bill of exchange procedure). Specifically, the following will apply:
 - Where the buyer allows deferred payment of the purchase price to his purchasers, the buyer reserves right of ownership on the sold goods in respect of his purchasers under the same conditions as KALDEWEI has applied in reserving ownership when supplying the reserved goods. Unless this reservation of ownership is exercised, the buyer is not empowered to resell the reserved goods.
 - The buyer hereby transfers to KALDEWEI the accounts receivable for the purchase price or other claims for payment to which he is entitled as a result of the resale or other retail transaction. They serve as security to the same extent as the reserved goods. The buyer is only entitled and empowered to resell or to make other use of the reserved goods if it has been ensured that the accounts receivable arising therefrom are transferred to KALDEWEI.
 - If the reserved goods are sold on by the buyer together other goods not supplied by KALDEWEI, then settlement of the account receivable arising from the sale will be restricted to the amount of the invoiced value of the reserved goods which have been sold in each instance. Where goods are sold to which KALDEWEI has a share in joint rights of ownership in accordance with Figure 2, b), the account receivable will be settled to the amount of this share in joint rights of ownership.
 - If the transferred account receivable is absorbed into an open account, then the buyer hereby transfers a part of the account balance whose amount corresponds to this account receivable from the open account to KALDEWEI. If interim account balances are drawn out and carry forward has been agreed, then the account receivable due to KALDEWEI under the above regulation arising from the interim account balance will be treated as transferred to KALDEWEI for the next account balance.
 - Until revoked by KALDEWEI, the buyer is empowered to collect the accounts receivable which have been transferred to KALDEWEI. KALDEWEI may not exercise this right to revoke as long as the buyer fulfils his payment obligations under the business relationship with KALDEWEI, does not default in payment, and KALDEWEI are not made aware of any circumstances which serve to considerably diminish the creditworthiness of the buyer. If there are grounds for rescinding revocation, then KALDEWEI may insist that the buyer inform KALDEWEI of the accounts receivable transferred and the debtors cessi, provides KALDEWEI with all necessary information to collect these accounts receivable, passes on the relevant documentation and notifies the debtors of the transfer. In this case, KALDEWEI will also be entitled to notify the debtors of the transfer itself.
 - If the realisable value of the securities which KALDEWEI holds exceeds the secured accounts receivable in total by more than 20%, then KALDEWEI is obliged, at the buyer's request, to release securities of KALDEWEI's choosing to that extent.
 - The buyer must provide information as to the whereabouts of the reserved goods and of the accounts receivable arising from resale at any time requested by KALDEWEI to do so.
 - The rights enjoyed by KALDEWEI according to this Section V. will apply up to and including the complete release from contingent liabilities which KALDEWEI has entered into in the interests of the buyer.
 - The buyer is obliged to insure the reserved goods, adequately and to the reinstatement value, against fire damage, water damage and theft, at his own expense, and to show proof of this to KALDEWEI when requested, specifically by presentation of the insurance policies.

VI. Technical advice

Insofar as KALDEWEI provides technical information or acts to provide advice in the context of its business dealings, this is without legal consideration and excludes any liability.

VII. Warranty

- The product supplied by KALDEWEI is to be carefully inspected on delivery to the buyer. Any visible defects are to be confirmed by the freight carrier. The goods are deemed to be accepted if no notification of defect has been received by KALDEWEI in writing within 5 working days following delivery of the goods or, if the defects were not identifiable via an immediate and careful inspection, within 5 working days following discovery of the defect.
- In the event of defects in the goods supplied by us, we are obliged to subsequently perform our obligations, that is, to remedy the defect or to supply goods free of defects, at our discretion. If such subsequent performance should fail, i.e. in the event of impossibility of performance, unacceptability, refusal or unreasonable delay in rectification of the substitute delivery, the customer may demand a reduction in the purchase price or withdraw from the contract, at his discretion.
- We are only liable for claims for damages due to or in connection with defects in accordance with Section VIII.
- This does not affect claims by the customer insofar as we have provided a guarantee for the quality or durability of the goods supplied. The content of the guarantee undertaking is authoritative for the scope of liability.
- Claims arising from the Product Liability Law and from personal injury are not affected either.

VIII. Liability for compensation for damages on account of fault

- Liability on our part for damages – for whatever legal reason, in particular for reasons of unlawful acts – cannot be accepted, or is restricted, insofar as it is based on fault, in accordance with the following provisions:
 - In the event of slight negligence on the part of KALDEWEI's legal representatives, management staff and persons employed in performing an obligation, KALDEWEI will not be liable insofar as the matter does not involve a breach of essential contractual obligations;
 - In the event of gross negligence on the part of KALDEWEI's non-management staff or other persons employed in performing an obligation, KALDEWEI will not be liable insofar as the matter does not involve the breach of essential contractual obligations;
 - In all other instances KALDEWEI will be liable insofar as KALDEWEI assumes liability for the fault.
- Insofar as KALDEWEI is fundamentally liable according to Figure 1 for compensation for damages, this liability is excluded
 - for damages which are remote in time;
 - for damages which are not foreseeable and not typical for the contract;
 - for damages which can be resolved by the buyer.However, the exclusion of liability does not apply insofar as KALDEWEI is liable for intent. In addition, KALDEWEI's liability is limited to 10 times the consideration for the company's delivery and service.
- Insofar as the risk giving cause for the damage which has occurred is usually insured by the buyer within his sector of activity, liability on the part of KALDEWEI is excluded even in instances of gross fault, but not if there is intent on the part of officers or management staff.
- The above exclusions to and restrictions on liability apply in the same scope to the advantage of KALDEWEI's legal representatives, other organs, management and non-management staff and other persons employed in performing an obligation.
- Insofar as KALDEWEI negligently breaches an essential contractual obligation, the obligation upon KALDEWEI to pay compensation for material or personal damages is limited to the sum insured under its product liability insurance or its third-party liability insurance. KALDEWEI is prepared to allow the person placing the order or contract to view the relevant policy.

IX. Final provisions

- The place of fulfilment is Ahlen/Westphalia (Germany) unless otherwise agreed. The place of jurisdiction is Ahlen/Westphalia or the buyer's company headquarters, as KALDEWEI sees fit. For actions against KALDEWEI, Ahlen/Westphalia is the sole place of jurisdiction.
- Relations between KALDEWEI and the buyer are exclusively subject to the law of the Federal Republic of Germany. The UN Convention on the International Purchase of Goods dated 1.4.1980 does not apply.
- If individual conditions of these Terms and Conditions for Delivery and Payment or of the delivery contract are or become invalid, this will not affect the validity of the other conditions.

KALDEWEI

Franz KALDEWEI GmbH & Co. KG
Beckumer Straße 33-35
59229 Ahlen
Deutschland
Tel. +49 2382 785 0
Fax +49 2382 785 200
Internet: www.kaldewei.com

AUSTRALIA

Bathe
tel. +61 2 9518 0163
e-mail: sales@bathe.net.au

AUSTRIA

Kaldewei Österreich GmbH
tel. +49 2382 785 0
e-mail: info@kaldewei.de

BALTIC STATES

Julijus Neufeld
tel. +370 068573525
e-mail: j.neufeld@ivc.lt

BELGIUM

Egeda NV
tel. +32 14 22 26 08
e-mail: info@egeda.be

CHINA

Kaldewei Far East Ltd.
tel. +86 21 6473 7813
e-mail: info@kaldewei.cn

CZECH REPUBLIC

Kaldewei CS, s.r.o.
tel. +420 226 218 590
e-mail: info@kaldewei.cz

DENMARK

Björn Zimmermann
tel. +49 2382 785 278
e-mail: bjoern.zimmermann@kaldewei.de

FINLAND

IMG Interiors
tel. +358 9 622 9150
e-mail: img.interiors@co.inet.fi

FRANCE

Raymond Piquemal, Directeur Commercial
tel. +33 6 29 05 76 37
e-mail: raymond.piquemal@kaldewei.com

GREECE

Niveco AG
tel. +30 21 0988 0180
e-mail: nilkitasvlachos@niveco.gr

HUNGARY

Török Szanifer BT
tel. +36 1 2501846
e-mail: kaldewei@kaldewei.hu

ICELAND

Trobeco
tel. +354 5 113131
e-mail: trobeco@mmedia.is

INDIA

Kaldewei South East Asia Pte. Ltd.
tel. +91 22 26855468
e-mail: anita.shinde@kaldewei.com

ITALY

Kaldewei Italia S.r.l.
tel. +39 0438 179 7826
e-mail: info-it@kaldewei.com

JAPAN

Tform
tel. +81 6 6632 2838
e-mail: info@tform.co.jp

KAZAKHSTAN

A. Sukhenko
tel. +7 7017 133056
e-mail: kaldewei_kz@mail.ru

MIDDLE EAST / SOUTH EUROPE / NORTH AFRICA

Diane Ritzau-Starkmann
tel. +49 171 4933624
e-mail: diane.ritzau-starkmann@kaldewei.de

NETHERLANDS

Michel Knaapen
tel. +31 642 673 077
michel.knaapen@kaldewei.com

NEW ZEALAND

Metrix Imports Limited
tel. +64 9 444 5656
e-mail: info@metrix.co.nz

NORWAY

Björn Zimmermann
tel. +49 2382 785 278
e-mail: bjoern.zimmermann@kaldewei.de

POLAND

Kaldewei Polska Spółka z o.o.
tel. +48 22 720 16 03
e-mail: poczta@kaldewei.pl

RUSSIA

000 Kaldewei
tel. +7 495 232 1951
e-mail: info.russia@kaldewei.com

SLOVAKIA

Kaldewei CS, s.r.o.
tel. +420 226 218 590
e-mail: info@kaldewei.cz

SOUTH AFRICA

Jeeves
tel. +27 21 701 9113
e-mail: info@jeeves.co.za

SOUTH EAST ASIA

Kaldewei South East Asia Pte. Ltd.
tel. +65 6899 2487
e-mail: info@kaldewei.sg

SOUTH KOREA

Kaldewei Far East Limited
tel. +852 9652 1937
e-mail: jacky.yau@kaldewei.com

SPAIN

Kaldewei España, S.L.
tel. +34 93 224 1150
e-mail: info@kaldewei.es

SWEDEN

Langenfeld Bad AB
tel. +46 8 7020775
e-mail: info@langenfeld.se

SWITZERLAND

Zentrallager Schweiz
tel. +41 62 2052100
e-mail: lager.schweiz@kaldewei.de

UKRAINE

B. Byshovets
tel. +380 50 3104265
e-mail: kaldewei@ua.fm

UNITED KINGDOM

Kaldewei UK Ltd.
tel. +44 1480 498 053
e-mail: sales-uk@kaldewei.com

UNITED STATES/CANADA

Kaldewei USA Inc.
tel. +1 866 822 2527
e-mail: chad.novinger@kaldewei.com